



US00D373344S

United States Patent [19]

[11] Patent Number: **Des. 373,344**

Wissen, Jr

[45] Date of Patent: ****Sep. 3, 1996**

[54] **MOTORCYCLE ARM SUPPORT**

4,915,187 4/1990 Nakashima et al. 297/411.1
5,458,399 10/1995 Gezari et al. 297/411.2

[75] Inventor: **Stanley E. Wissen, Jr**, Orlando, Fla.

Primary Examiner—Melody N. Brown
Attorney, Agent, or Firm—William M. Hobby, III

[73] Assignee: **S. E. Robin, Inc.**, Orlando, Fla.

[**] Term: **14 Years**

[57] CLAIM

The ornamental design for a motorcycle arm support, as shown.

[21] Appl. No.: **42,066**

[22] Filed: **Jul. 31, 1995**

DESCRIPTION

[52] U.S. Cl. **D12/421; D6/500**

[58] Field of Search D12/421, 110;
D6/500, 501, 502; 297/411.1, 411.2; 296/153;
248/608

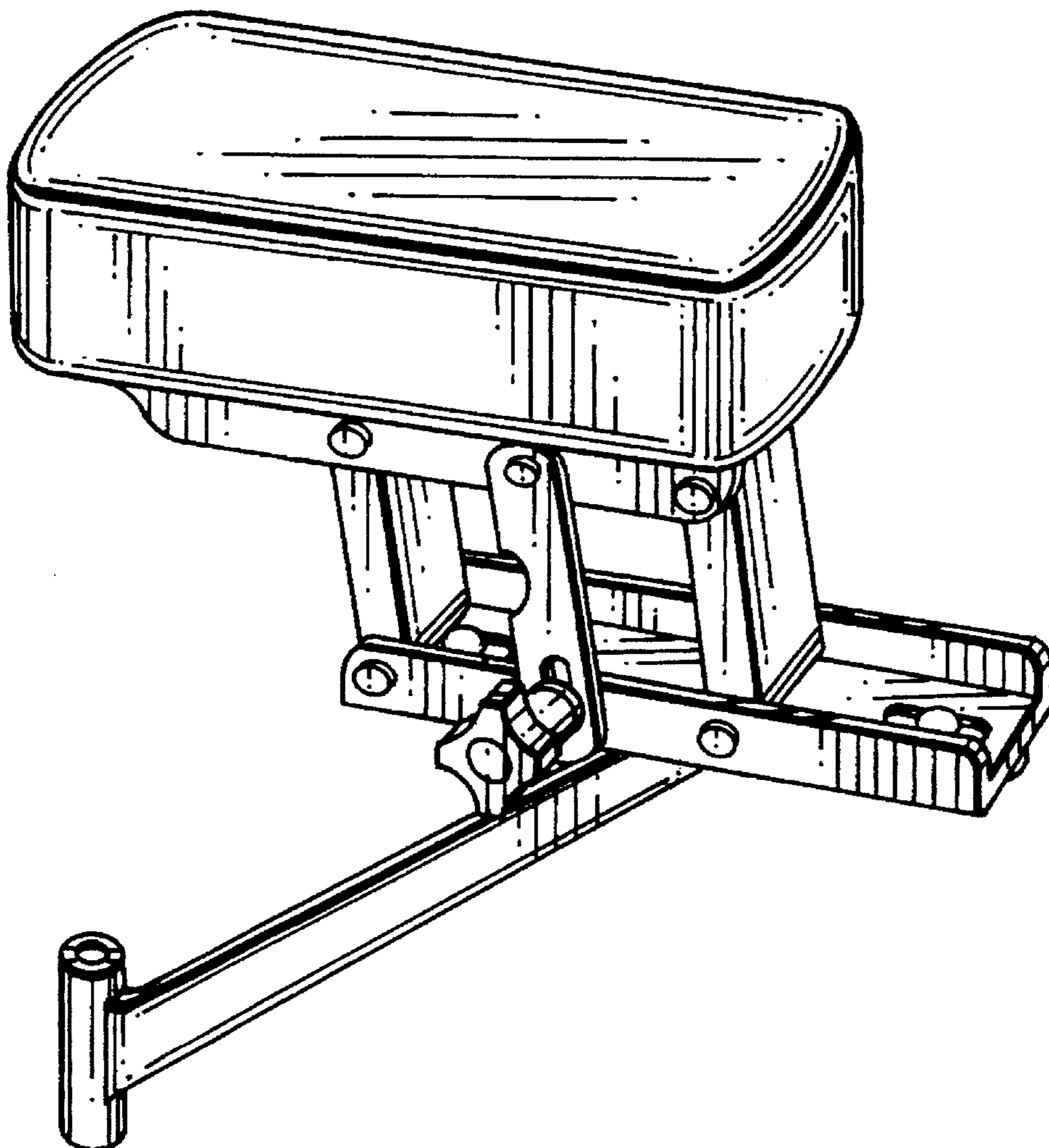
FIG. 1 is a top and left side perspective view of my new motorcycle arm support;
FIG. 2 is a front elevation view;
FIG. 3 is a right side elevation view;
FIG. 4 is a top plan view;
FIG. 5 is a sectional view taken on line 5—5 of FIG. 3;
FIG. 6 is a bottom plan view;
FIG. 7 is a left side elevation view in a lowered position;
and,
FIG. 8 is a rear elevation view.

[56] References Cited

U.S. PATENT DOCUMENTS

D. 278,961	5/1985	Doerner	D6/500
D. 289,119	4/1987	Opsvik	D6/500
D. 312,431	11/1990	Boyt	D12/400
D. 318,588	7/1991	Koepke	D6/500
4,822,103	4/1989	Stenvall	297/411.1

1 Claim, 1 Drawing Sheet



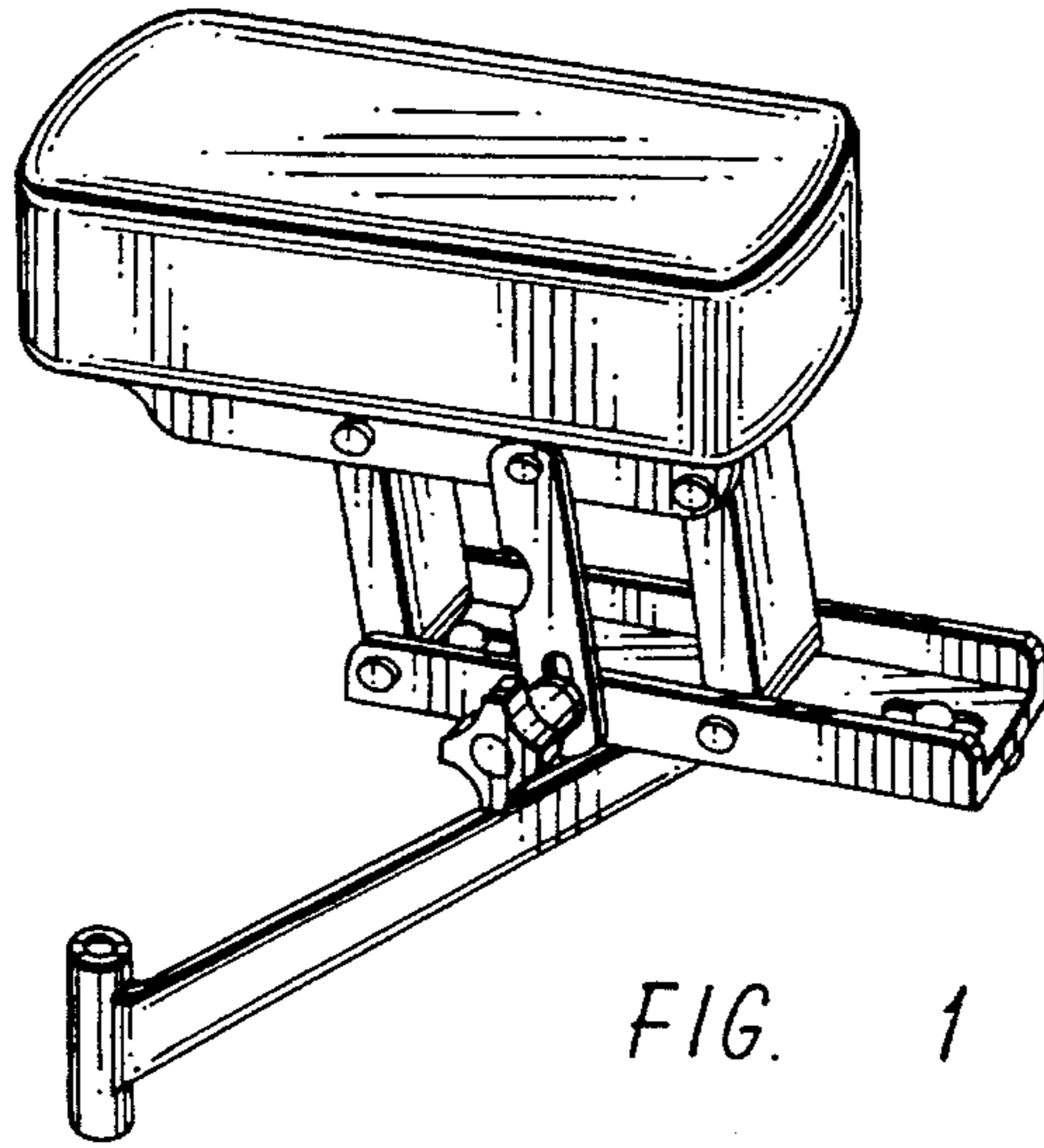


FIG. 1

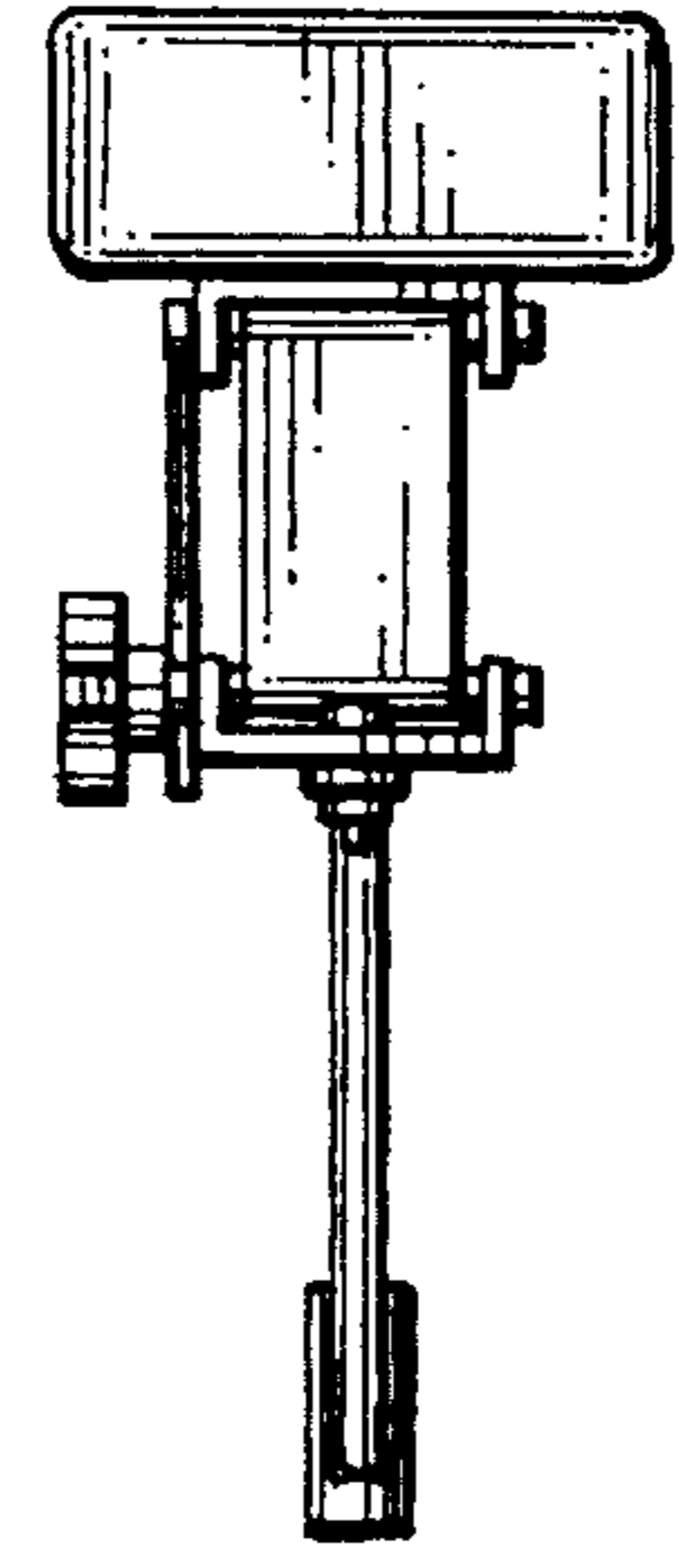


FIG. 2

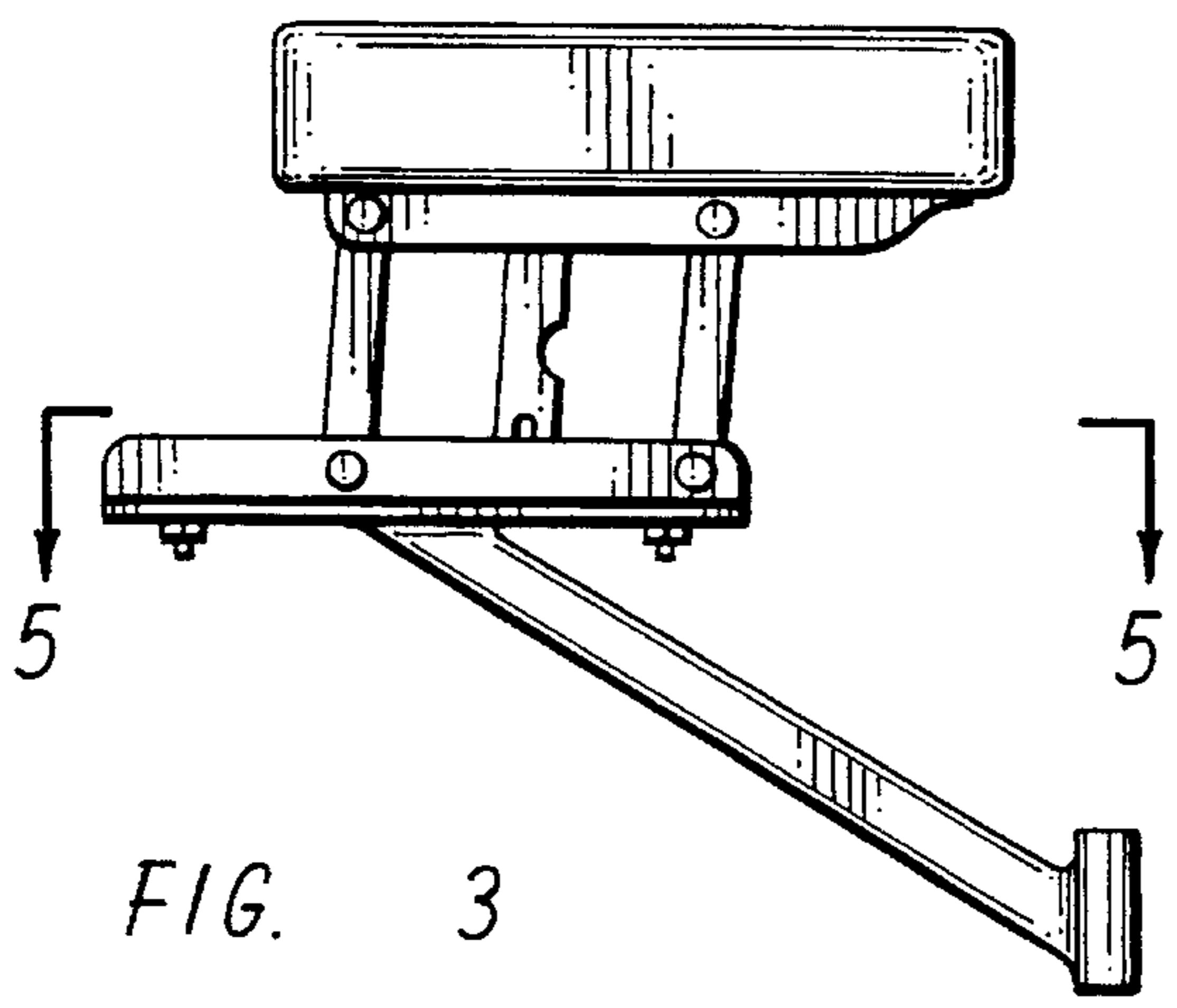


FIG. 3

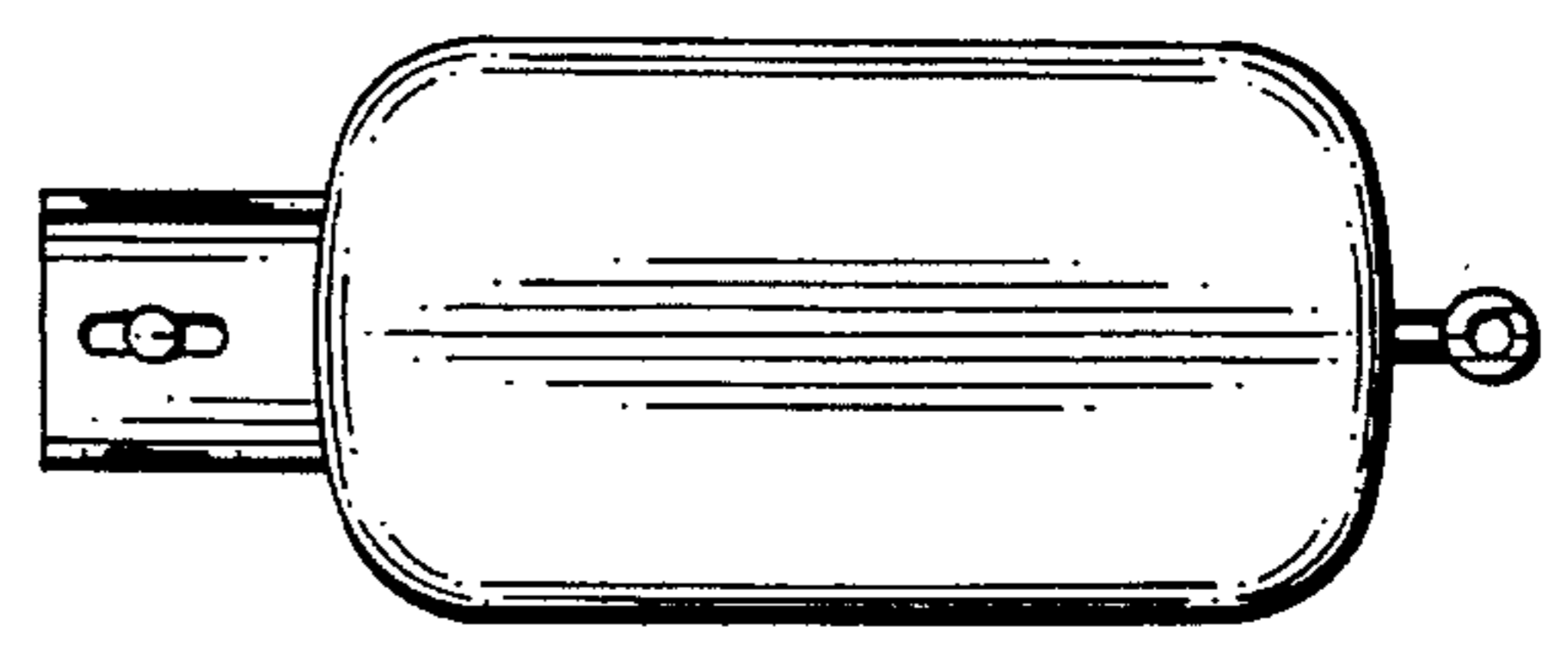


FIG. 4

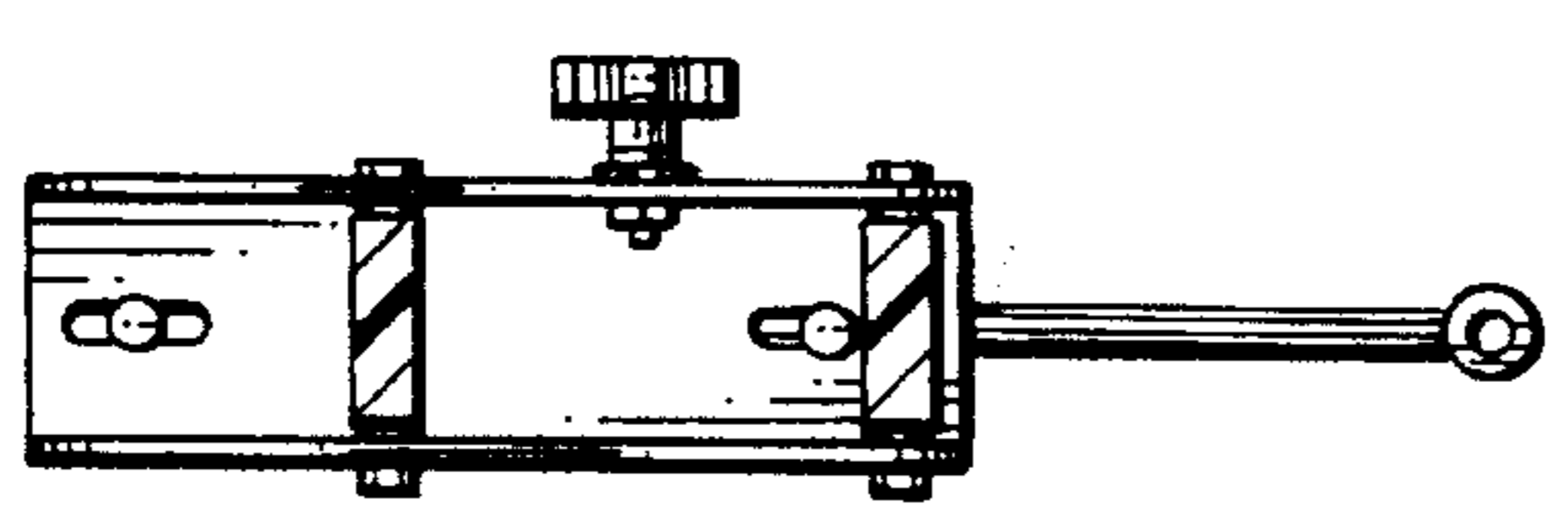


FIG. 5

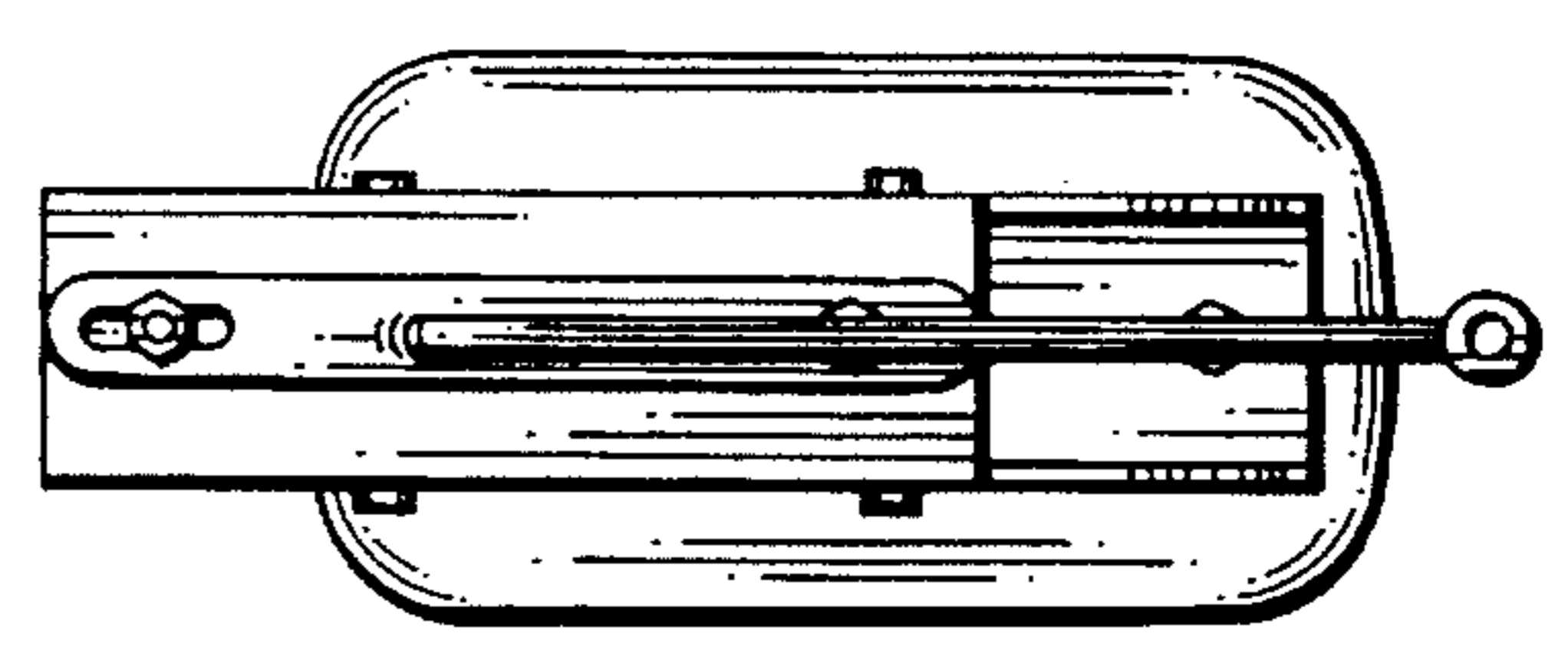


FIG. 6

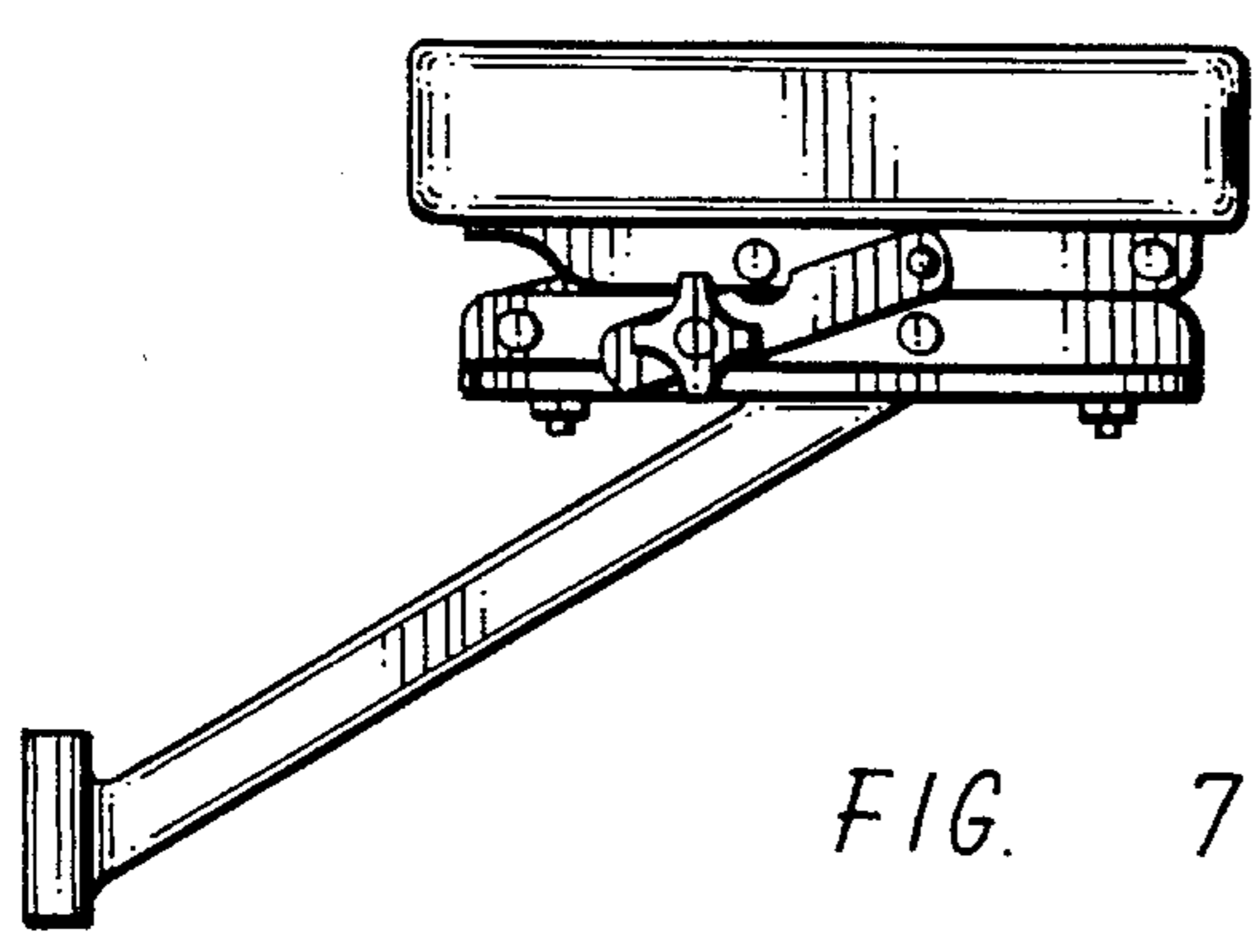


FIG. 7

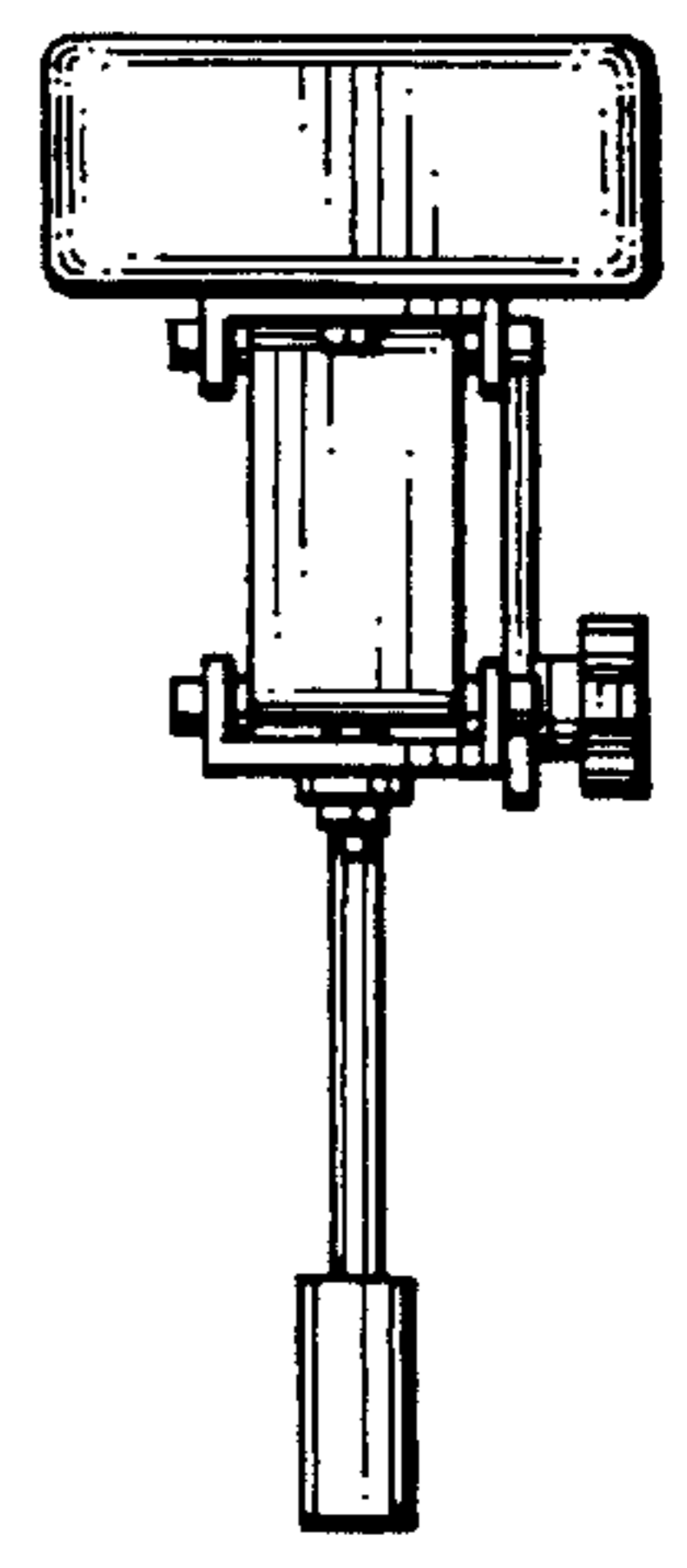


FIG. 8