



US00D373342S

United States Patent [19]
Moore

[11] **Patent Number:** **Des. 373,342**
[45] **Date of Patent:** ****Sep. 3, 1996**

[54] **EXTERIOR SURFACE FOR A VEHICLE
LIFTGATE/TAILGATE PANEL**

5,449,213 9/1995 Kiley et al. 296/56

[75] Inventor: **Michael G. Moore**, Shelby Township,
Mich.

[73] Assignee: **Chrysler Corporation**, Auburn Hills,
Mich.

[**] Term: **14 Years**

[21] Appl. No.: **36,223**

[22] Filed: **Mar. 15, 1995**

[52] U.S. Cl. **D12/196**

[58] **Field of Search** D12/196, 181,
D12/98, 100, 197; 296/50, 57.1, 180.1,
56, 91, 156, 164, 194, 195; 293/102, 113,
120, 126

[56] **References Cited**

U.S. PATENT DOCUMENTS

D. 285,189	8/1986	Dayton et al.	D12/196
D. 295,508	5/1988	Wilsgaard	D12/196
D. 297,002	8/1988	Everts	D12/196
5,147,106	9/1992	Bartelt et al.	296/56 X
5,435,617	7/1995	Stanesic	296/91 X

OTHER PUBLICATIONS

994 Nissan Quest Brochure, p. 12, Quest XE, copyright
1993.

Motor Trend Magazine, p. 73, Windstar Minivan, Jul. 1994.

Primary Examiner—James M. Gandy

Assistant Examiner—S. Snapp

Attorney, Agent, or Firm—Mark P. Calcaterra

[57] **CLAIM**

The ornamental design for an exterior surface for a vehicle
liftgate/tailgate panel, as shown and described.

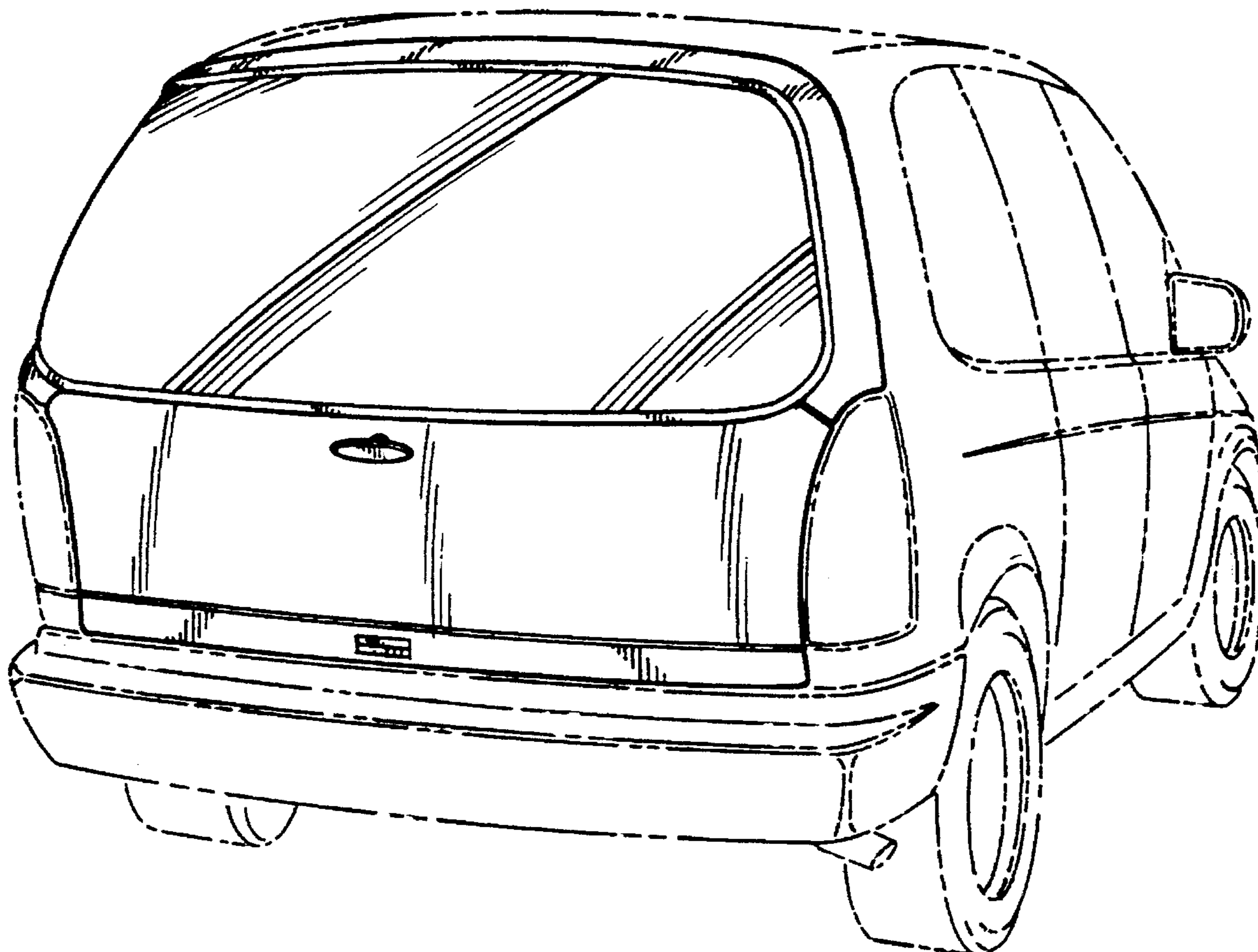
DESCRIPTION

FIG. 1 is a front and right side perspective view of an
exterior surface for a vehicle liftgate/tailgate panel, the
broken line showing of the vehicle is for illustrative pur-
poses only and forms no part of the claimed design;

FIG. 2 is an enlarged front view of an exterior surface for a
vehicle liftgate/tailgate panel of FIG. 1; and,

FIG. 3 is a side view of the exterior surface for a vehicle
liftgate/tailgate panel of FIG. 1.

1 Claim, 2 Drawing Sheets



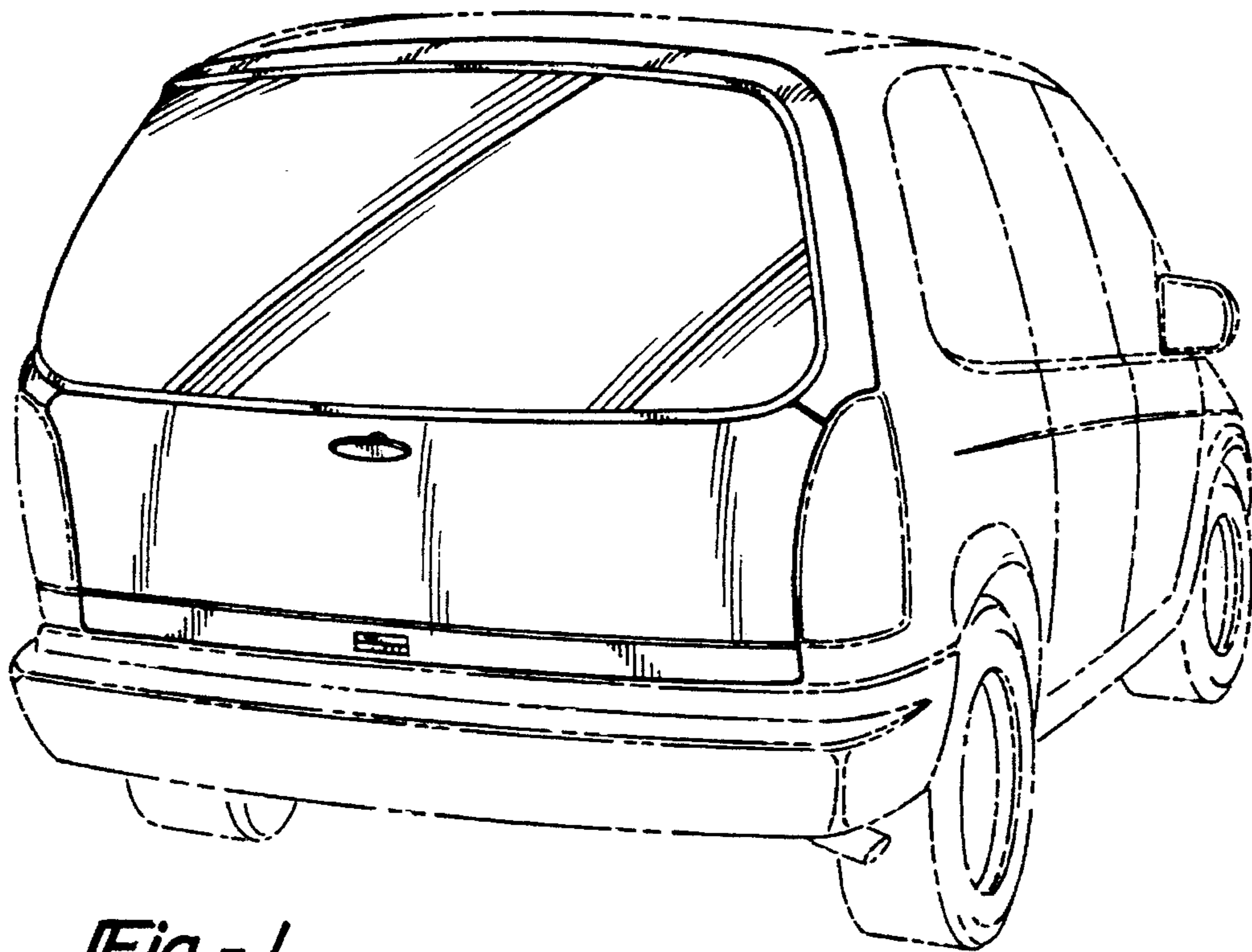


Fig - 1

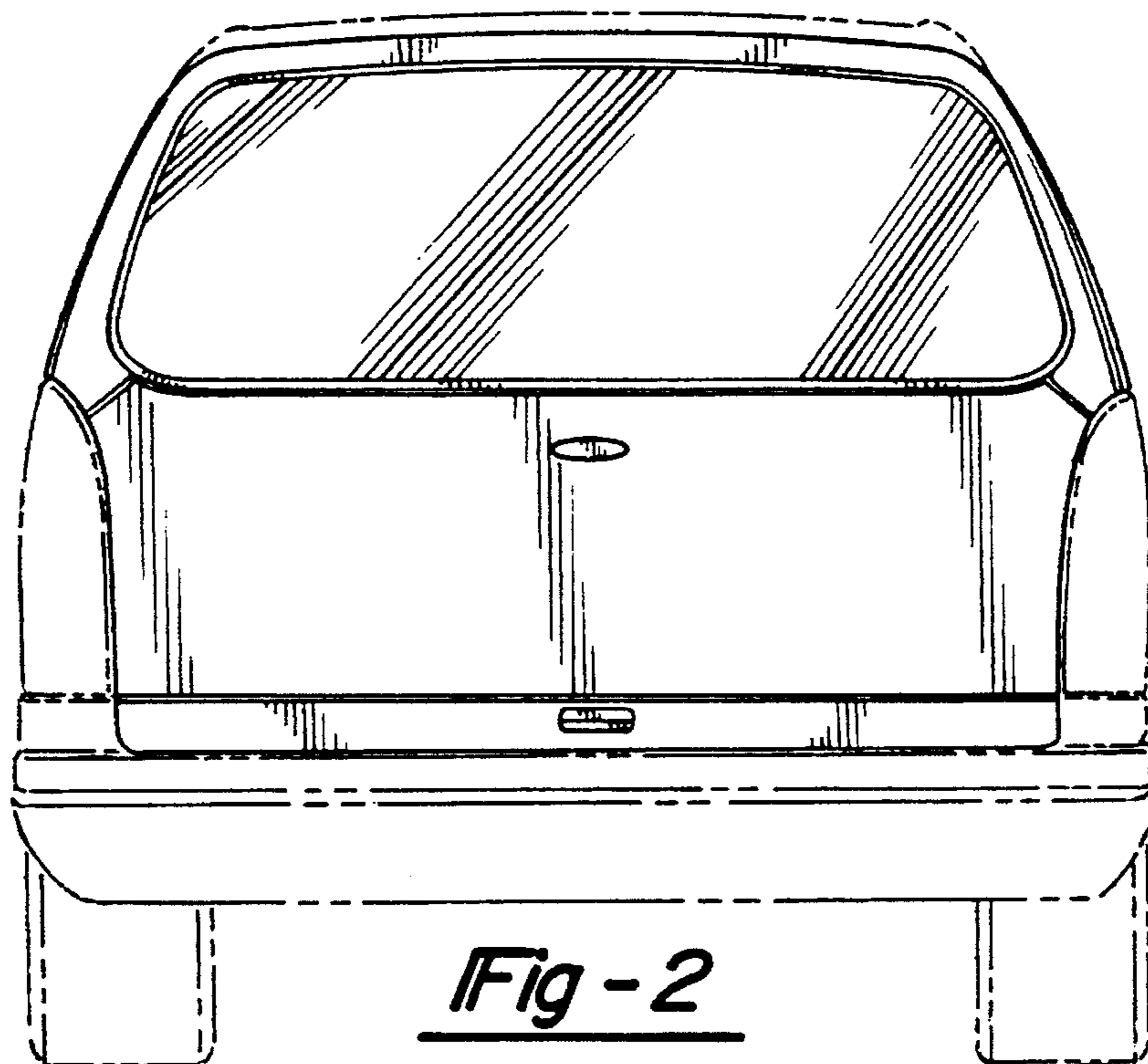


Fig - 2

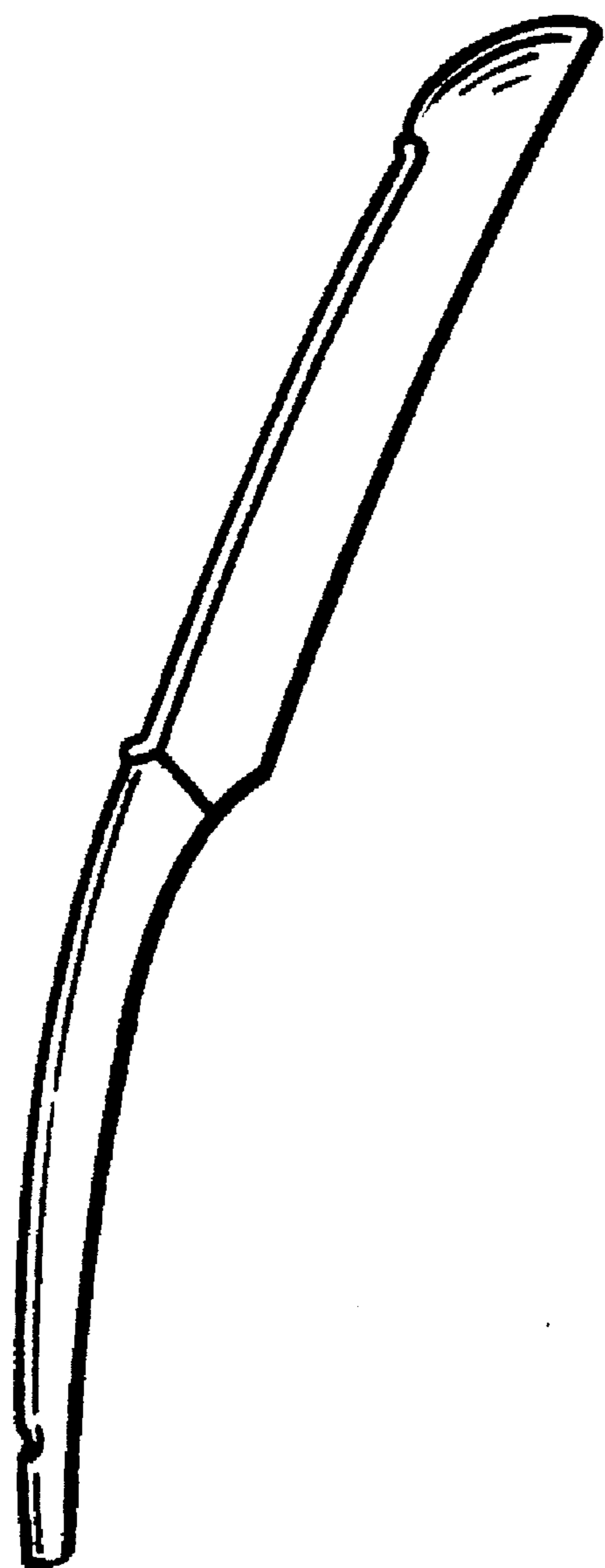


Fig - 3