



US00D373341S

United States Patent [19]

[11] **Patent Number: Des. 373,341**

Nelson

[45] **Date of Patent: **Sep. 3, 1996**

[54] **VEHICLE VISOR ASSEMBLY**

5,259,582 11/1993 Delange, III 248/481

[76] Inventor: **Maynard E. Nelson**, 160 S. Estates Dr., Salina, Kans. 67401

Primary Examiner—James M. Gandy
Assistant Examiner—S. Snapp
Attorney, Agent, or Firm—Phillip A. Rein

[**] Term: **14 Years**

[57] **CLAIM**

[21] Appl. No.: **35,394**

The ornamental design for a vehicle visor assembly, as shown and described.

[22] Filed: **Feb. 27, 1995**

[52] U.S. Cl. **D12/191**

DESCRIPTION

[58] **Field of Search** D12/190, 191, D12/401, 417; 160/370.2 R, 370.2 B, DIG. 3; 248/481, 484; 296/97.1, 97.2, 97.4, 97.5, 97.6, 97.8, 97.11

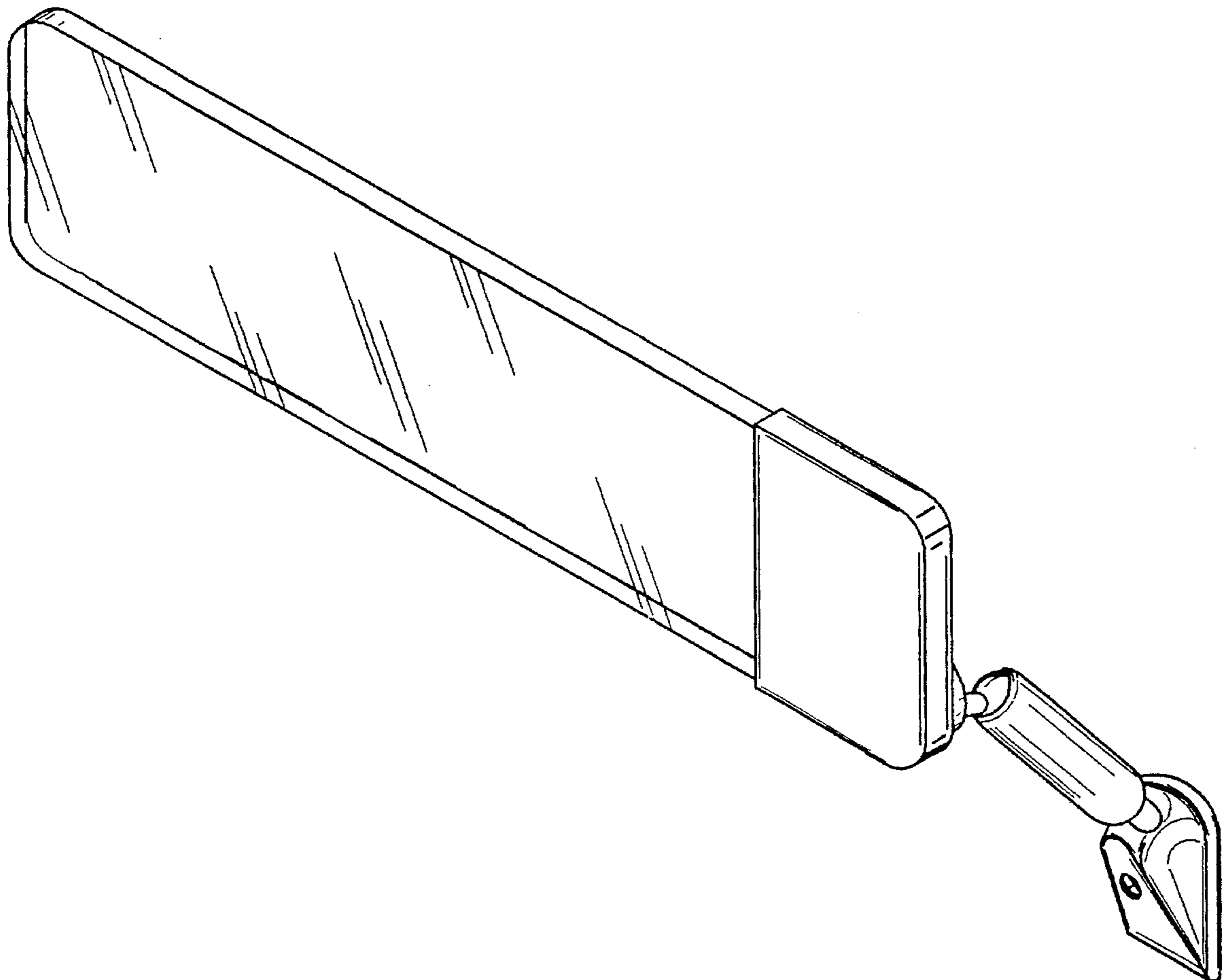
FIG. 1 is a perspective view of a vehicle visor assembly of this invention;
FIG. 2 is an end elevational view thereof;
FIG. 3 is a front elevational view thereof;
FIG. 4 is a top plan view thereof;
FIG. 5 is a side elevational view opposite to that shown in FIG. 2;
FIG. 6 is a bottom plan view thereof; and,
FIG. 7 is a back elevational view thereof.

[56] **References Cited**

U.S. PATENT DOCUMENTS

D. 244,088	4/1977	McCarroll	D12/187
D. 244,270	5/1977	McCarroll	D12/187
2,210,147	8/1940	Griffith	248/481
3,790,117	2/1974	Winkler	248/481

1 Claim, 2 Drawing Sheets



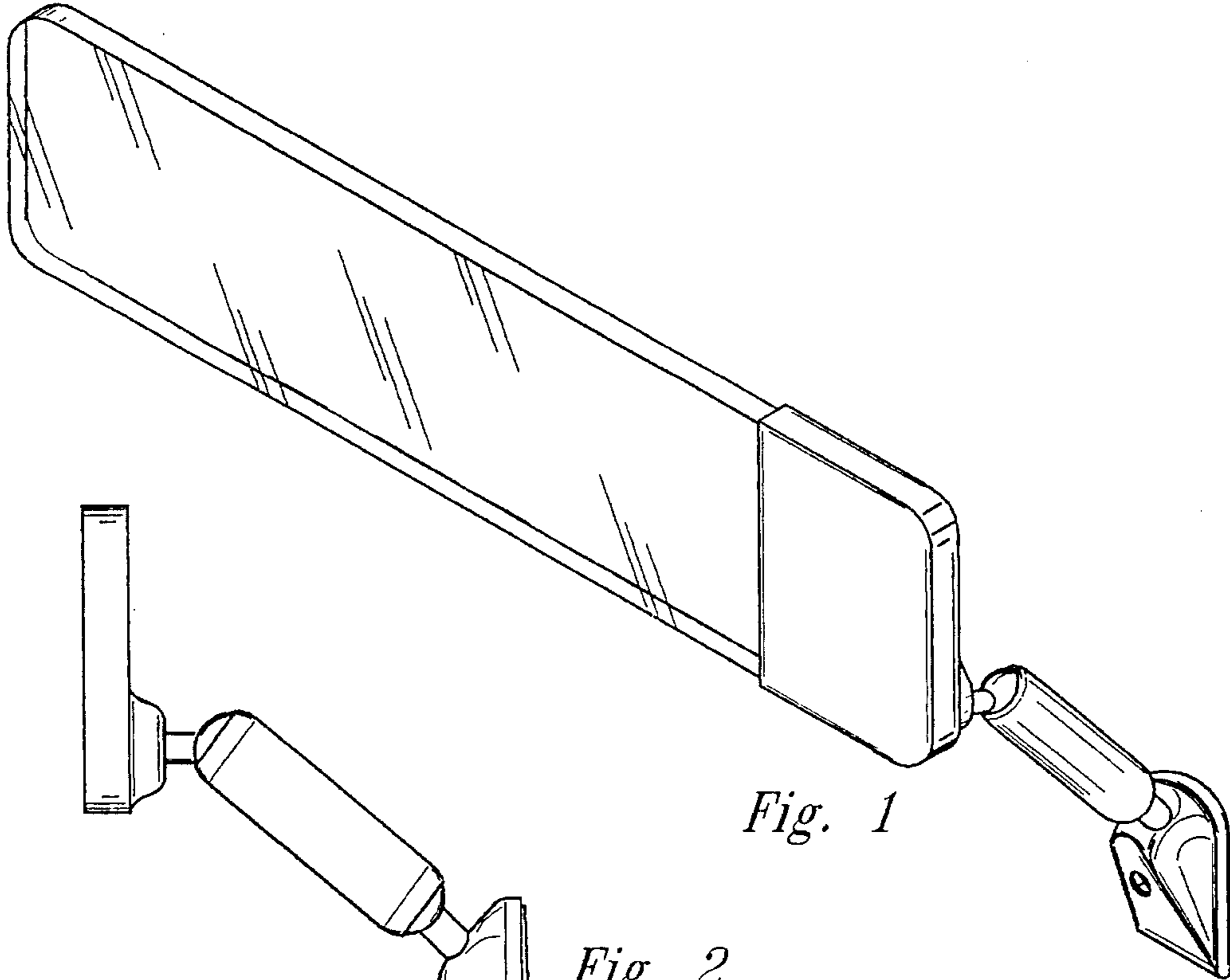


Fig. 1

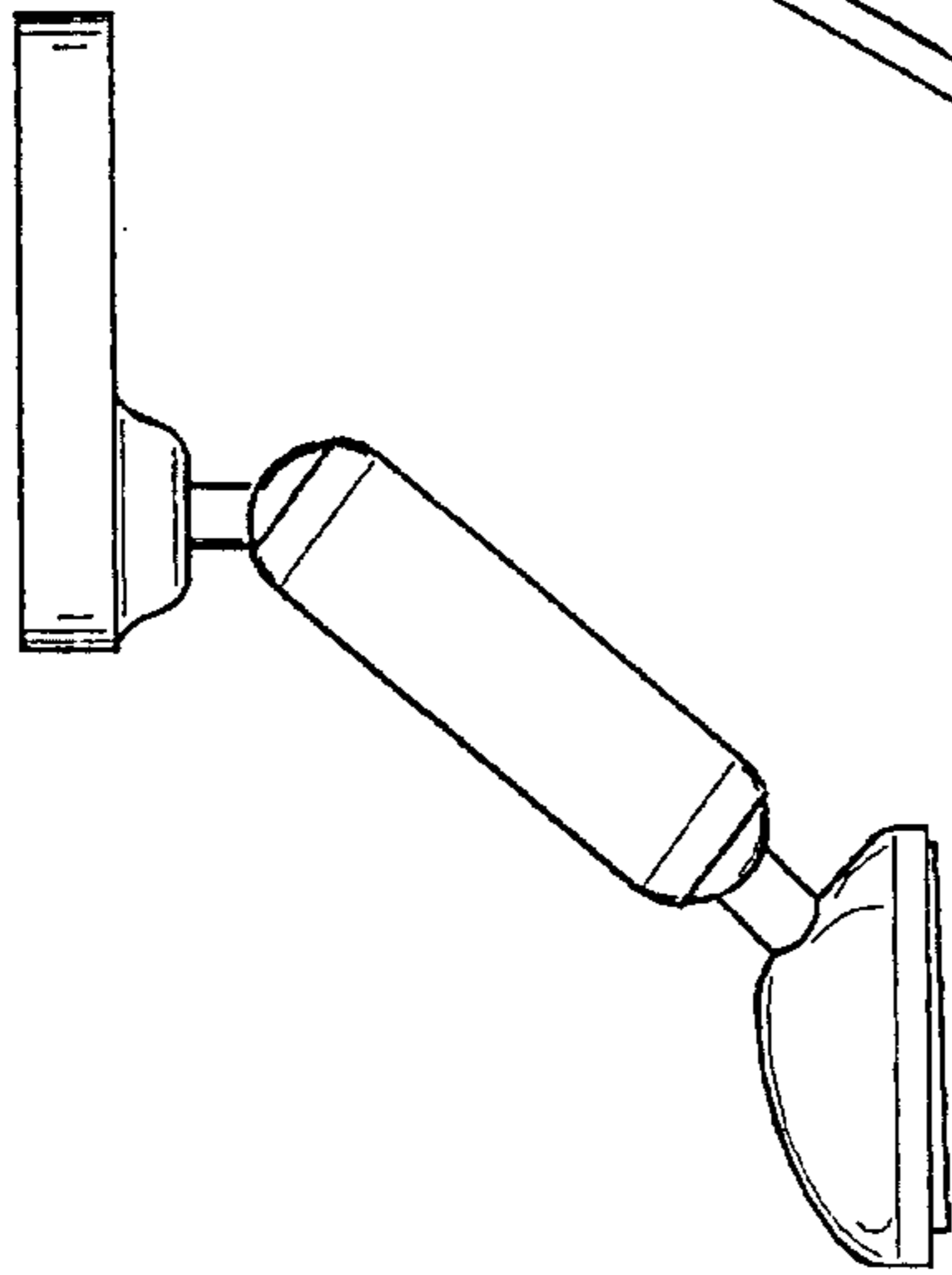


Fig. 2

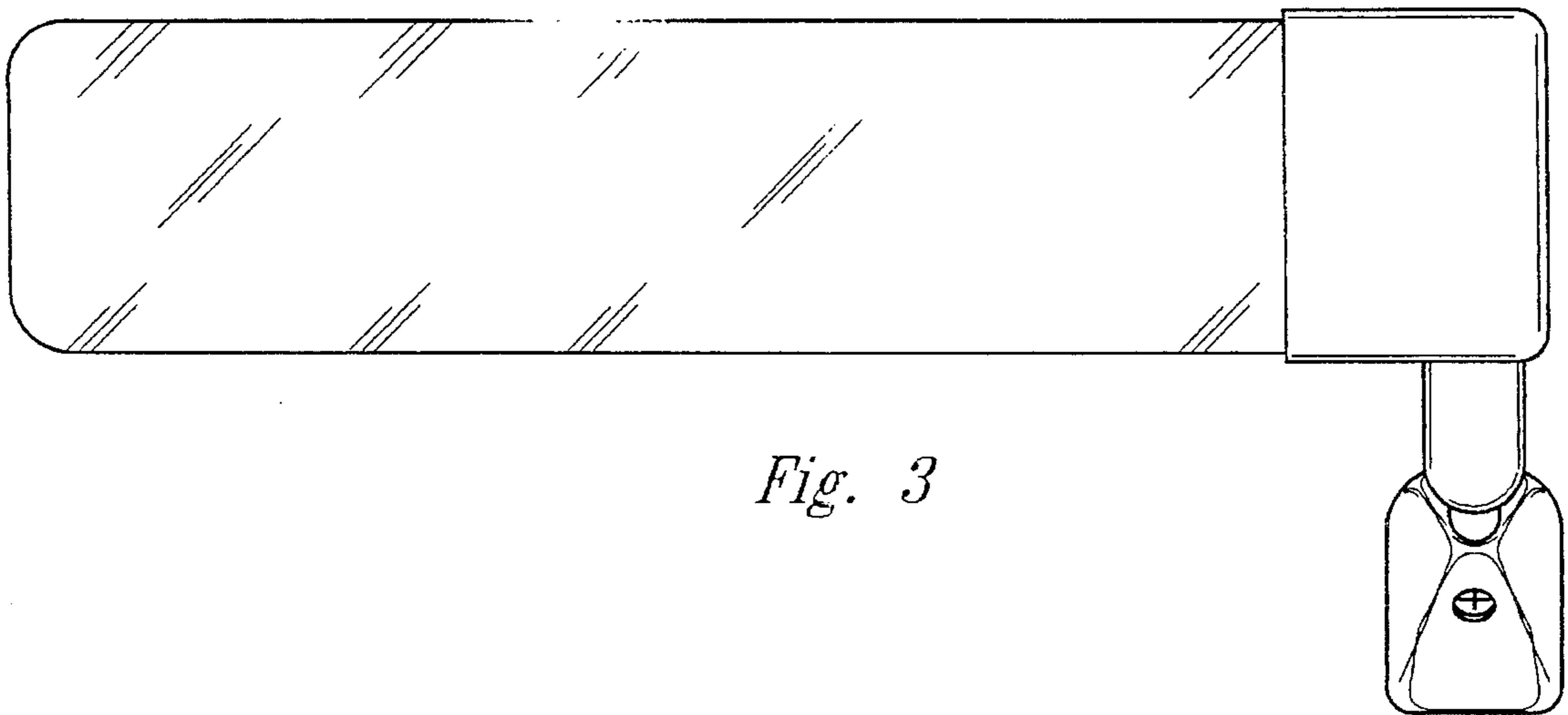


Fig. 3

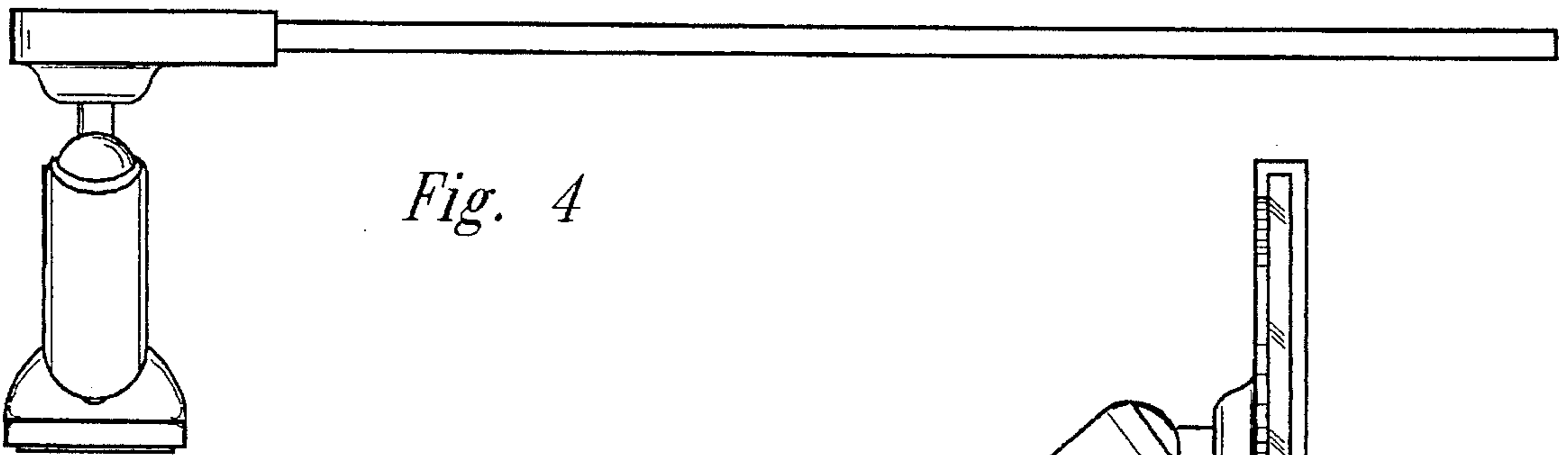


Fig. 4

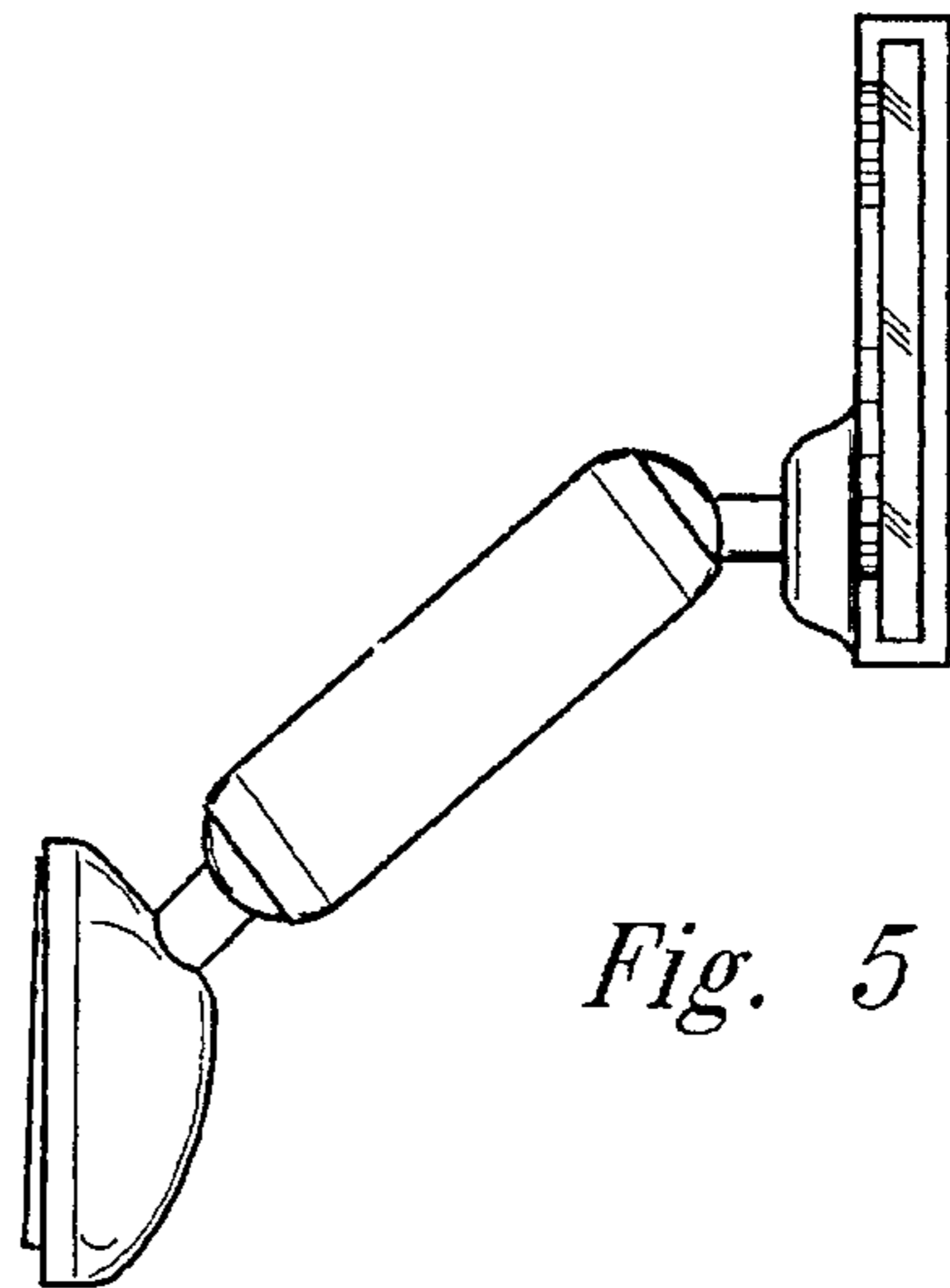


Fig. 5

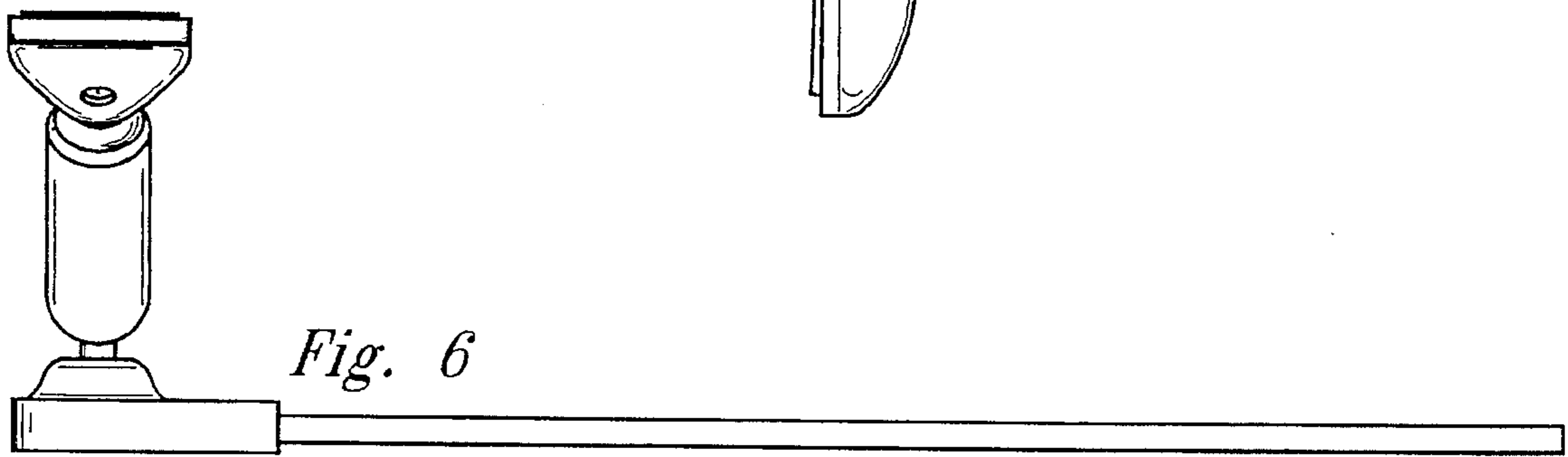


Fig. 6

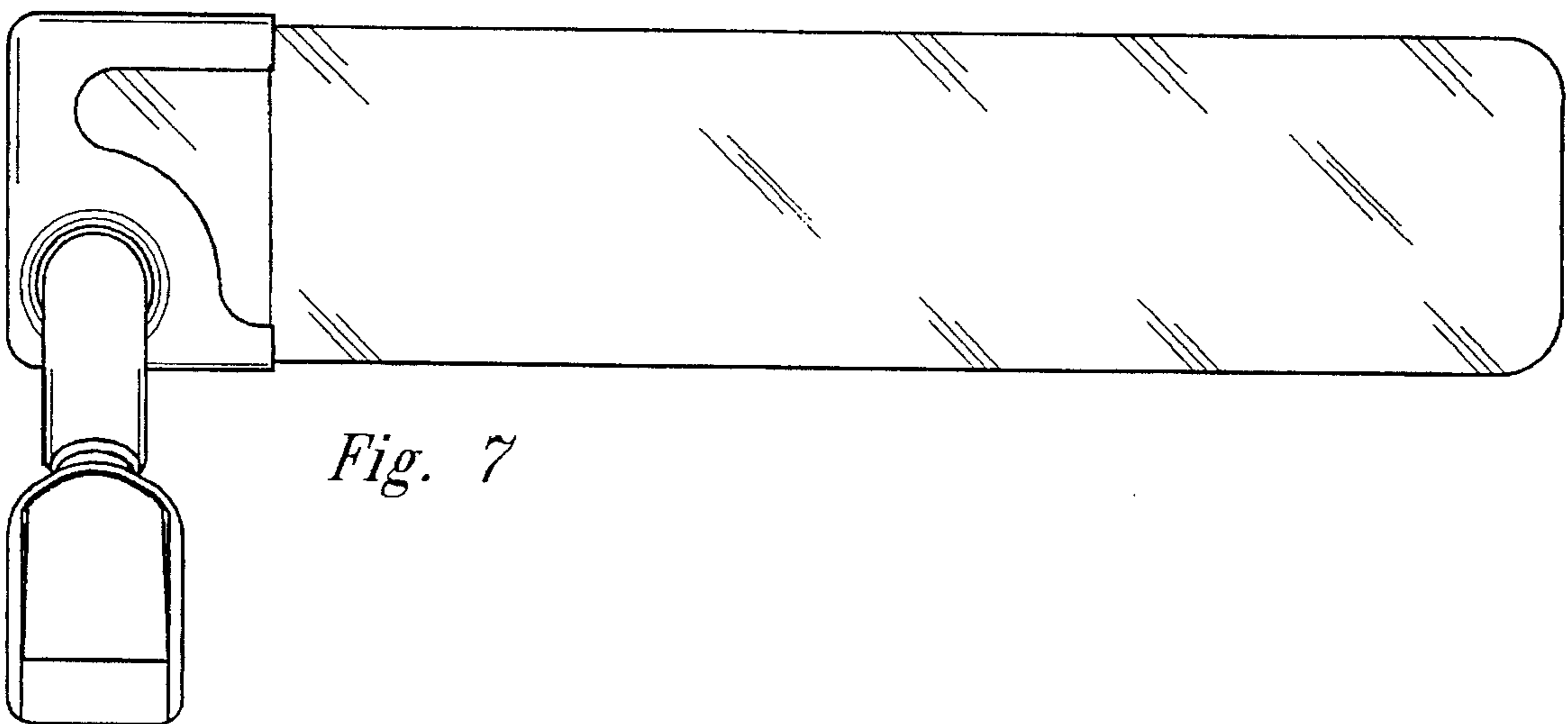


Fig. 7