



US00D373340S

United States Patent [19] Sands

[11] Patent Number: **Des. 373,340**

[45] Date of Patent: ****Sep. 3, 1996**

[54] **BRAKE CALIPER**

[75] Inventor: **Perry W. Sands**, Paramount, Calif.

[73] Assignee: **Performance Machine Inc.**,
Paramount, Calif.

[**] Term: **14 Years**

[21] Appl. No.: **31,778**

[22] Filed: **Dec. 6, 1994**

[52] U.S. Cl. **D12/180**

[58] Field of Search **D12/180; 188/71.1**

[56] **References Cited**

U.S. PATENT DOCUMENTS

- D. 351,365 1/1995 Powers D12/180
- D. 354,469 11/1994 Powers D12/180

Primary Examiner—Melody N. Brown
Attorney, Agent, or Firm—Richard L. Myers

[57] **CLAIM**

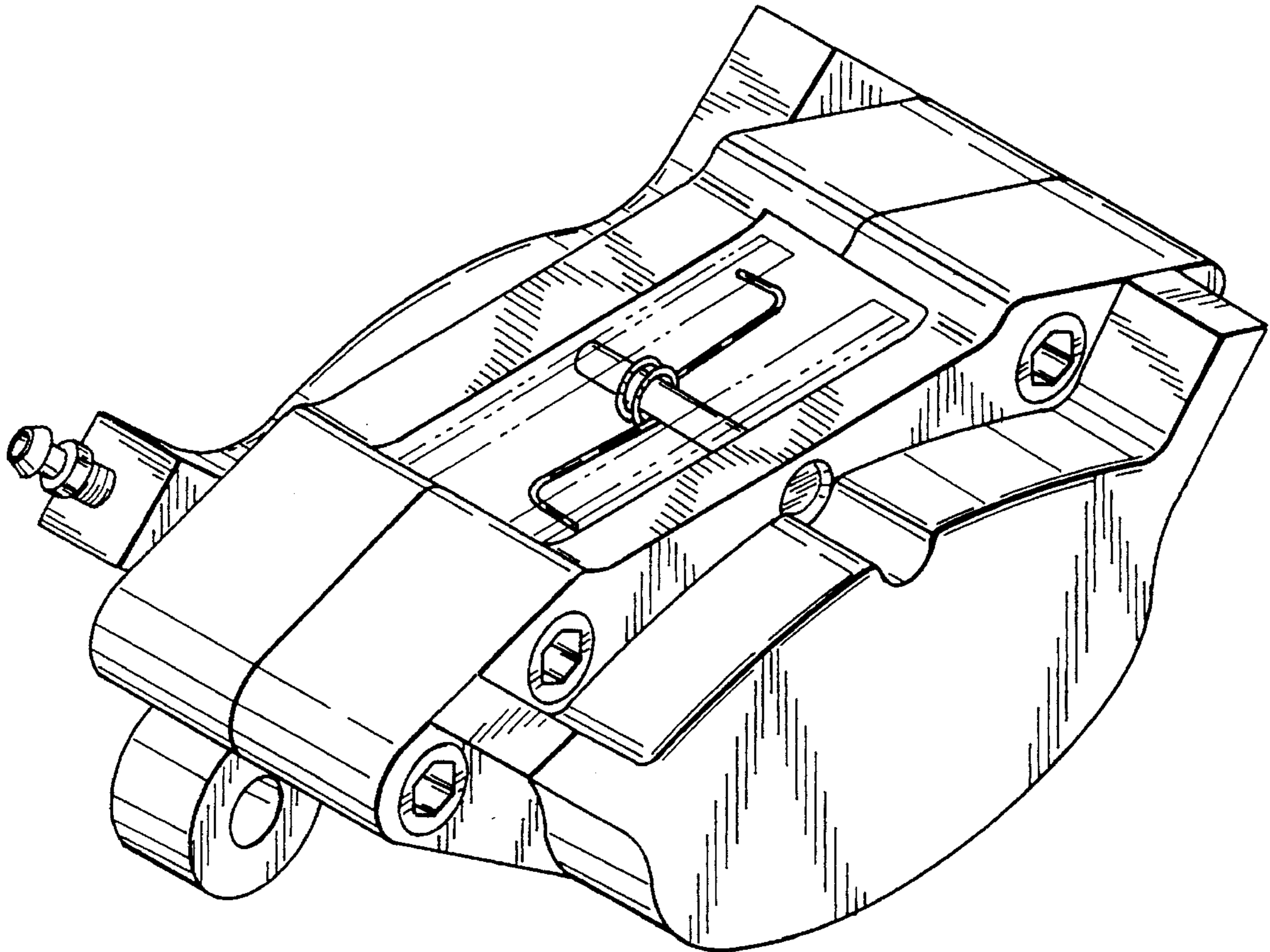
The ornamental design for a brake caliper, as shown and described.

DESCRIPTION

FIG. 1 is a top-front perspective view of the brake caliper of the present invention;
 FIG. 2 is a top view of the caliper illustrated in FIG. 1;
 FIG. 3 is a front view of the caliper illustrated in FIG. 1;
 FIG. 4 is a bottom view of the caliper illustrated in FIG. 1;
 FIG. 5 is a back view of the caliper illustrated in FIG. 1;
 FIG. 6 is a left-side view of the caliper illustrated in FIG. 3;
 and,
 FIG. 7 is a right-side view of the caliper illustrated in FIG. 3.

The broken lines shown in FIGS. 1, 6 and 7 are for illustrative purposes only and form no part of the claimed design.

1 Claim, 4 Drawing Sheets



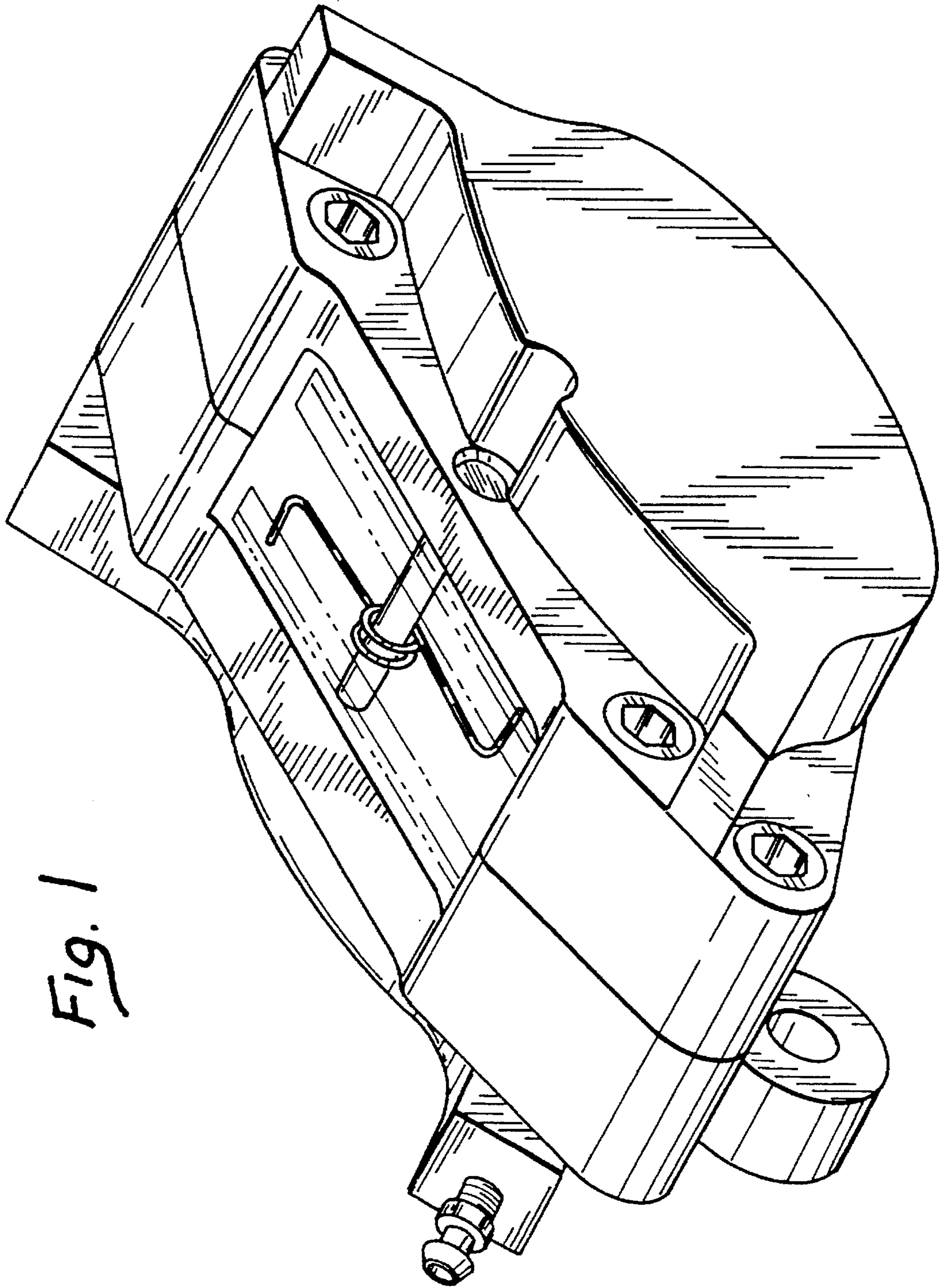


Fig. 1

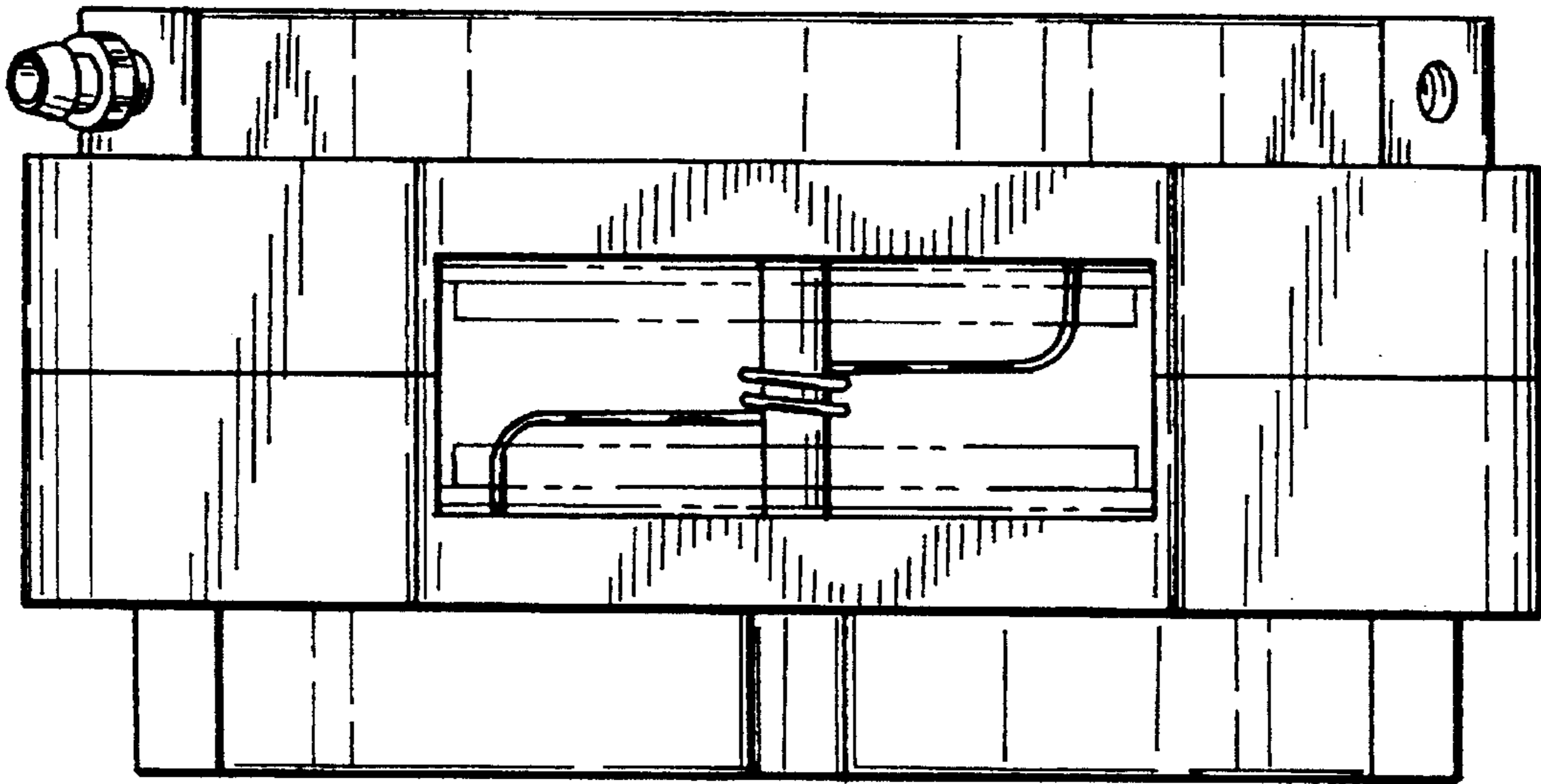
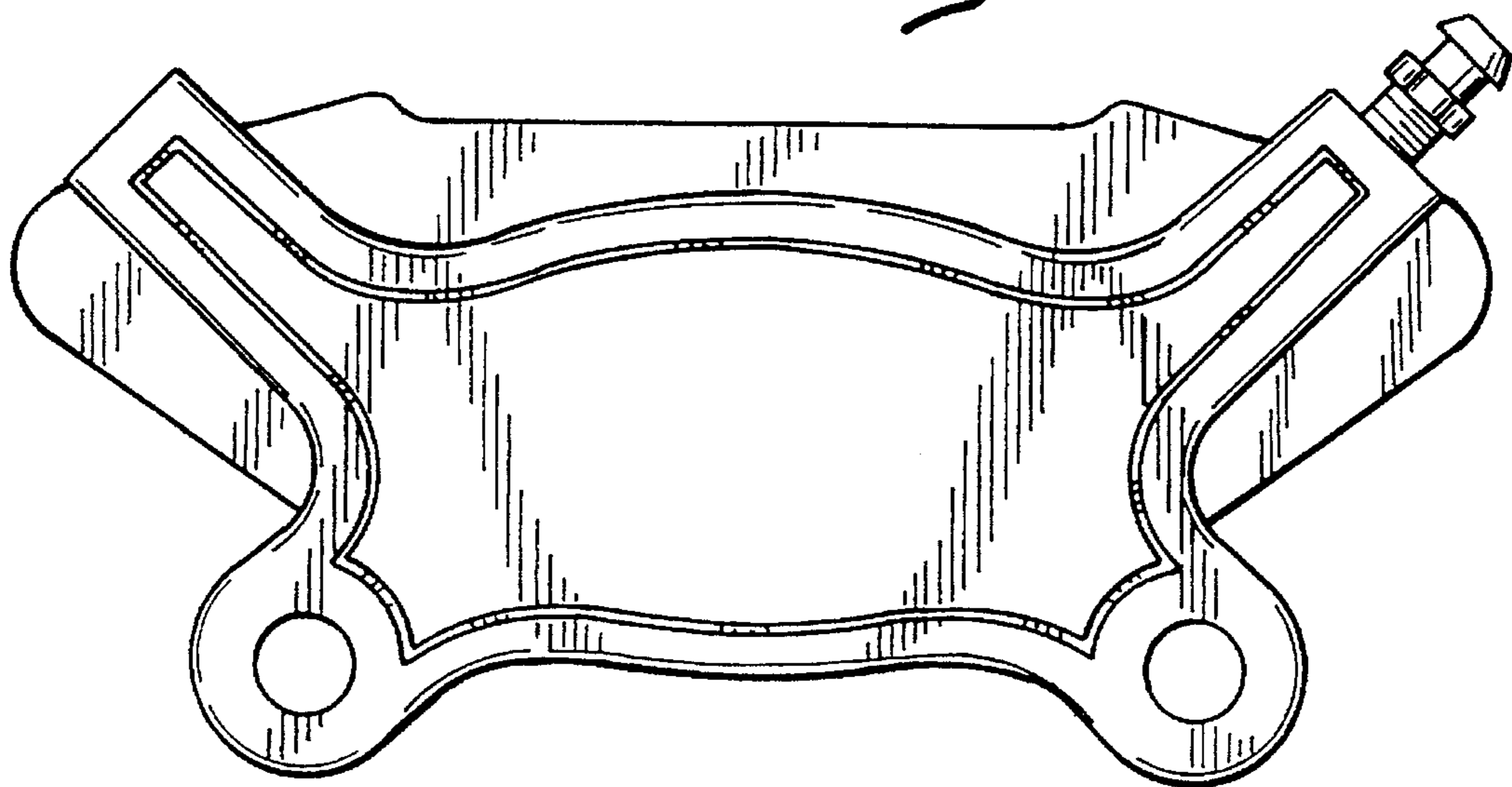


Fig. 2

Fig. 3



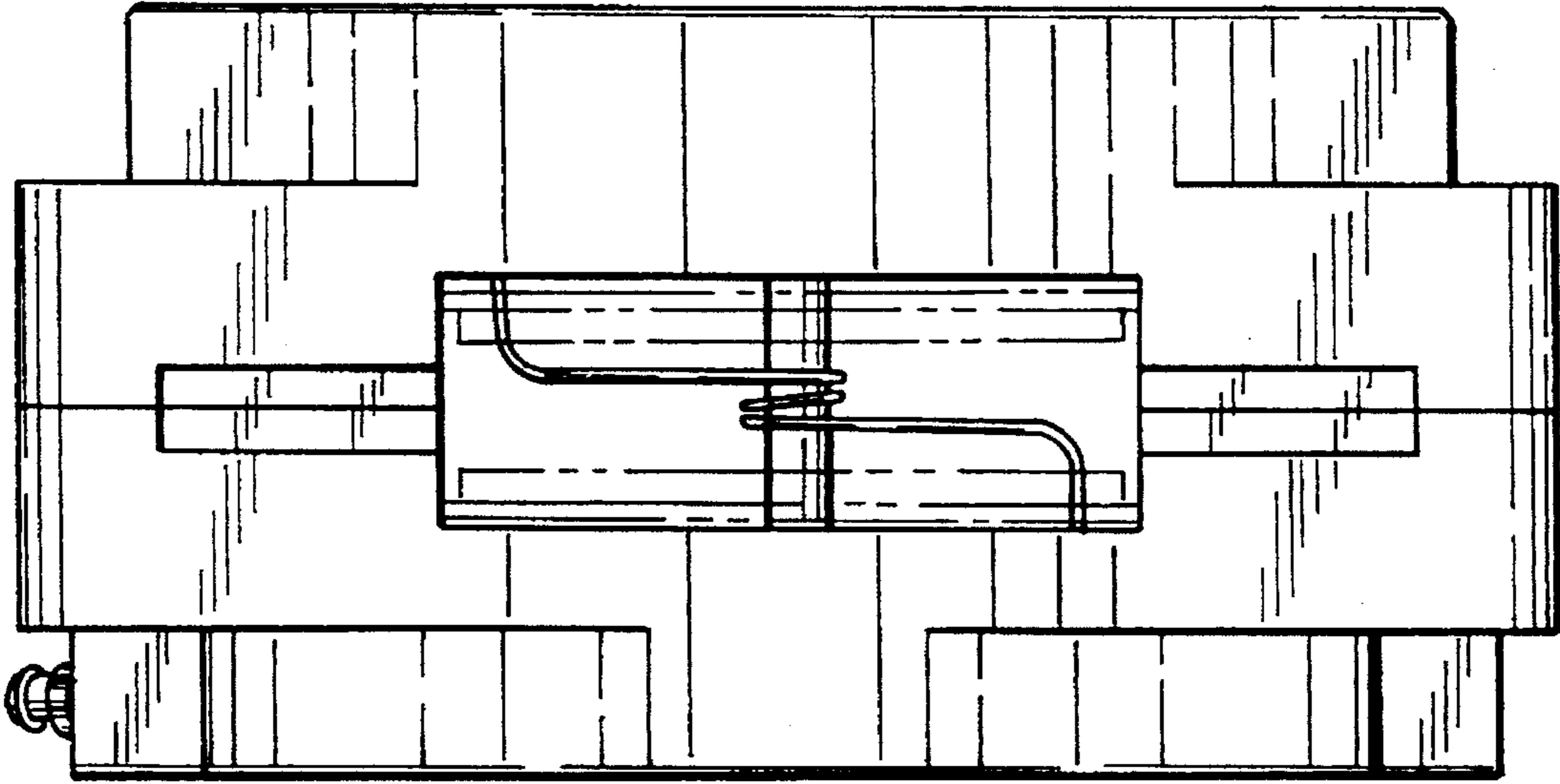


Fig. 4

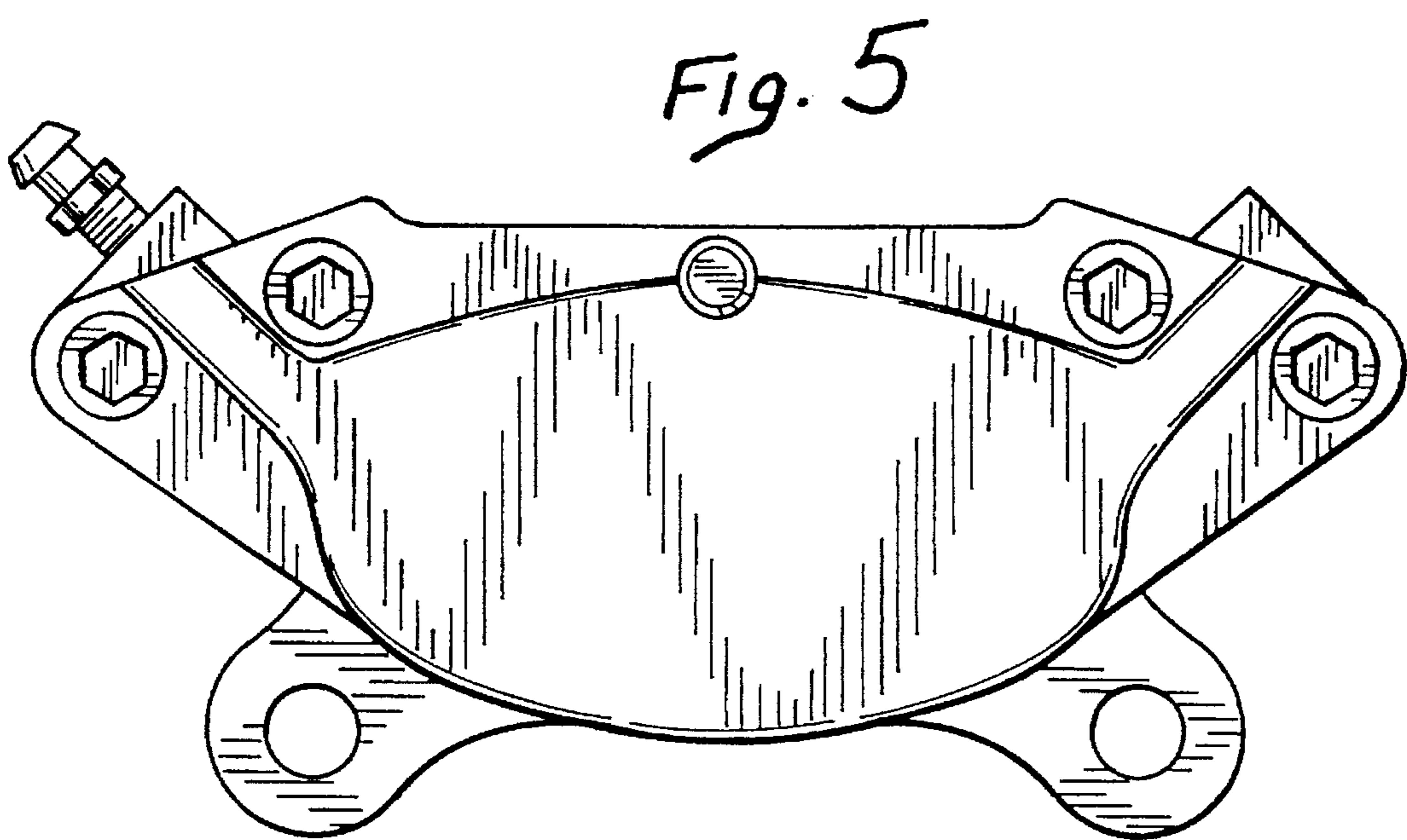


Fig. 5

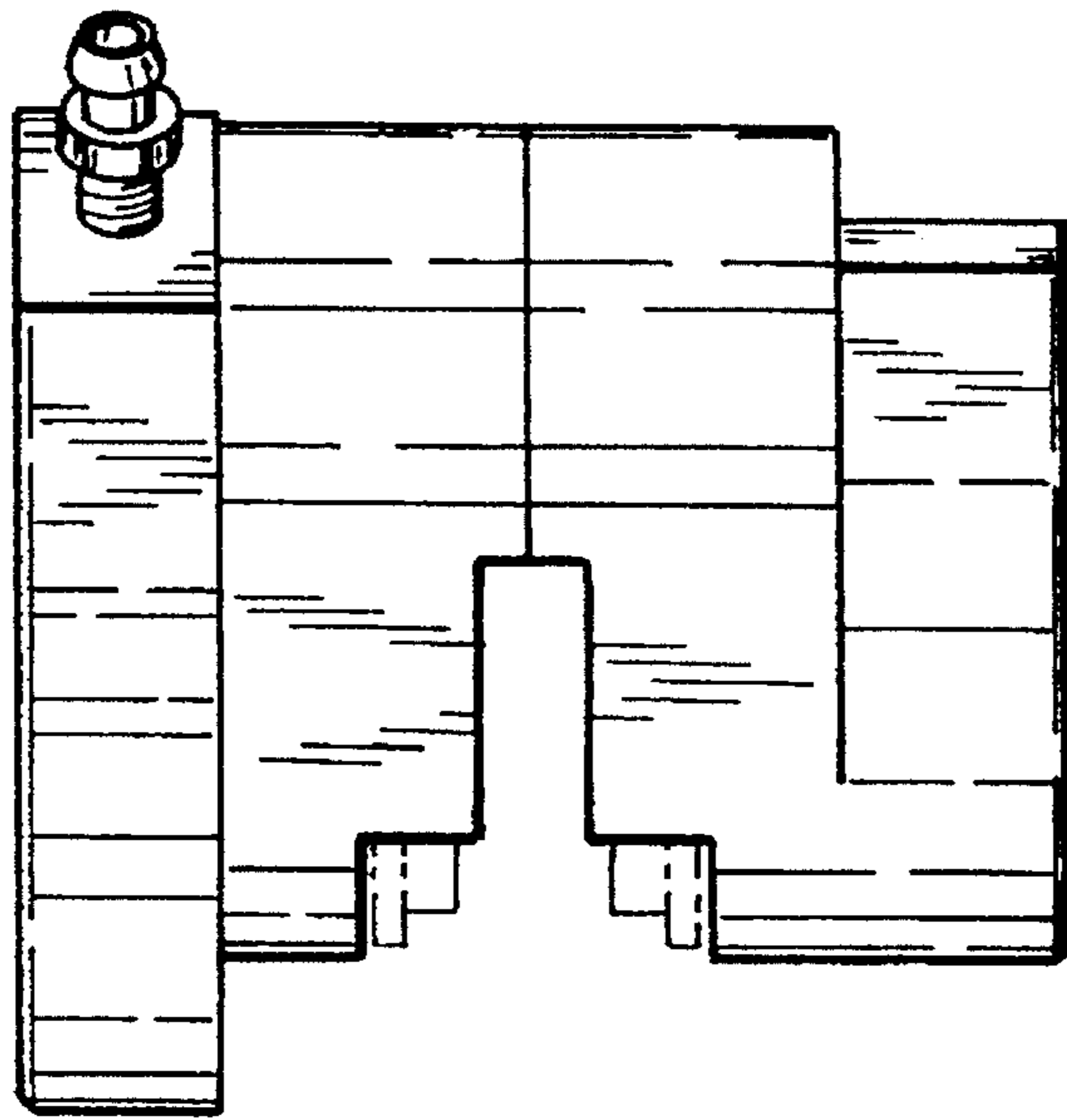


Fig. 6

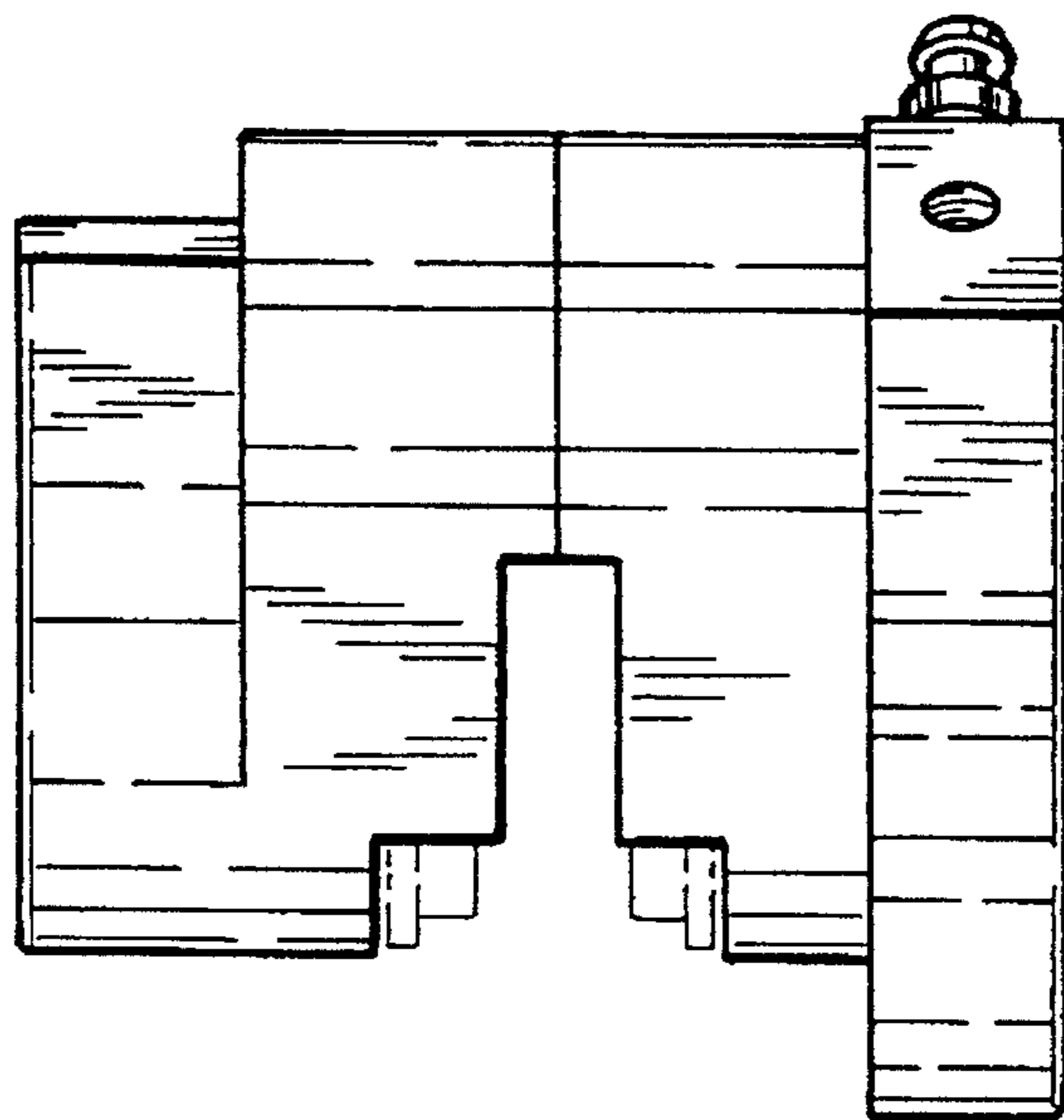


Fig. 7