



US00D373336S

United States Patent [19]

[11] **Patent Number: Des. 373,336**

Classen

[45] **Date of Patent: **Sep. 3, 1996**

[54] **WHEELCHAIR ACCESSORY**

Primary Examiner—Kay H. Chin
Attorney, Agent, or Firm—Trask, Britt & Rossa

[76] **Inventor: Elizabeth F. Classen**, 561 E. Northmont Way, Salt Lake City, Utah 84103

[57] **CLAIM**

[**] **Term: 14 Years**

The ornamental design for a wheelchair accessory, as shown and described.

[21] **Appl. No.: 42,354**

DESCRIPTION

[22] **Filed: Aug. 8, 1995**

[52] **U.S. Cl. D12/133; D6/511**

FIG. 1 is a perspective view of a wheelchair and wheelchair accessory showing my new design, the broken lines showing the wheelchair are for illustrative purposes only and form no part of the claimed design;

[58] **Field of Search D12/133; 297/188.1, 297/155; D6/511**

FIG. 2 is a perspective view of my new design;

[56] **References Cited**

U.S. PATENT DOCUMENTS

D. 348,904	7/1994	Linder	D6/511
D. 353,123	12/1994	Korona	D12/133
4,668,010	5/1987	Fujiwara	297/155

FIG. 3 is a top view thereof;

FIG. 4 is a front elevational view thereof;

FIG. 5 is a bottom view thereof;

FIG. 6 is a rear elevational view thereof;

FIG. 7 is a side elevational view thereof;

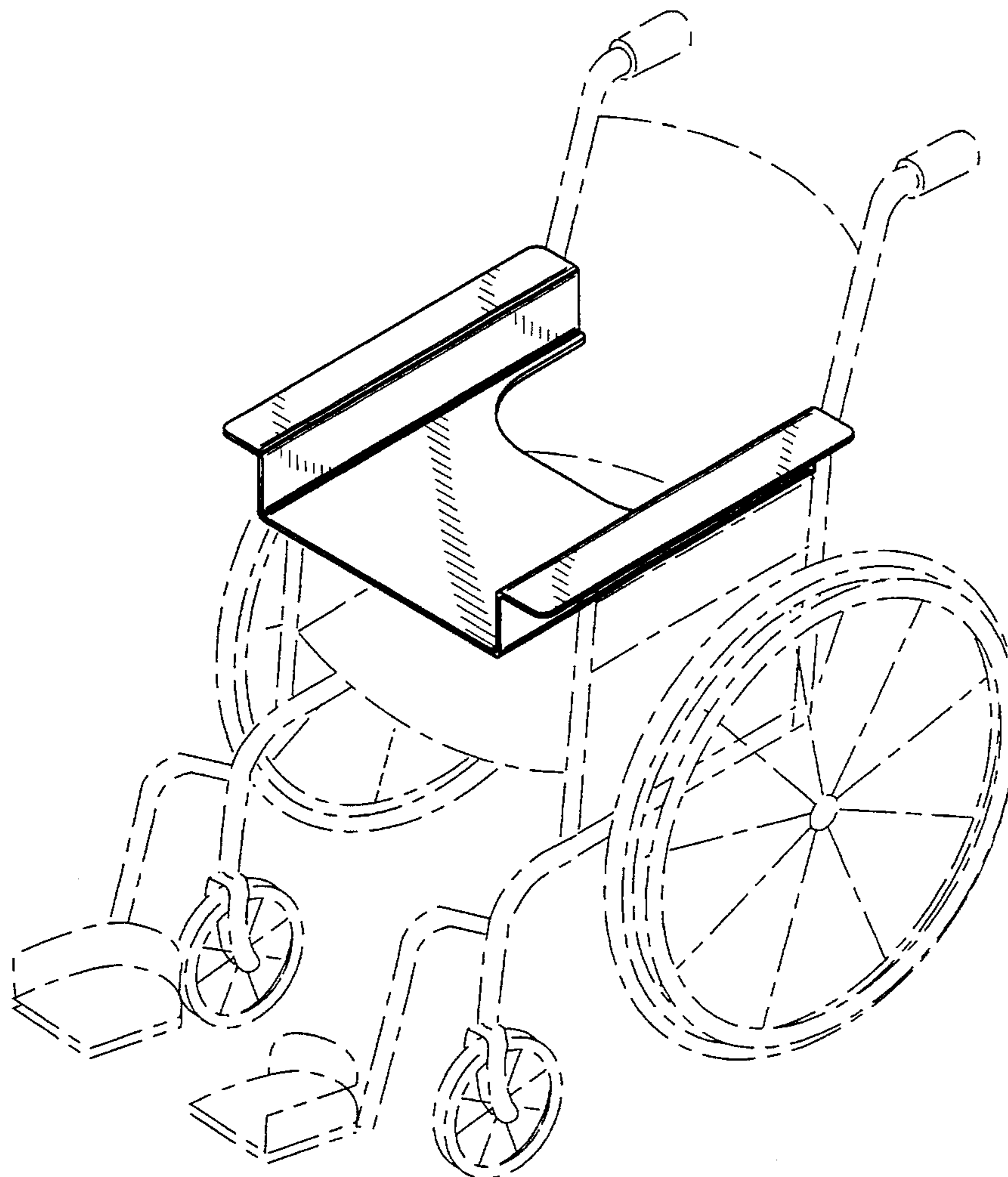
FIG. 8 is a top view of a second embodiment of the wheelchair accessory shown in FIG. 1; and,

FIG. 9 is a top view of a third embodiment of the wheelchair accessory shown in FIG. 1.

OTHER PUBLICATIONS

ADL Products for the Activities of Daily Living 1994, pp. 38-39 (North Coast Medical, Inc., San Jose, CA copyright date 1993).

1 Claim, 6 Drawing Sheets



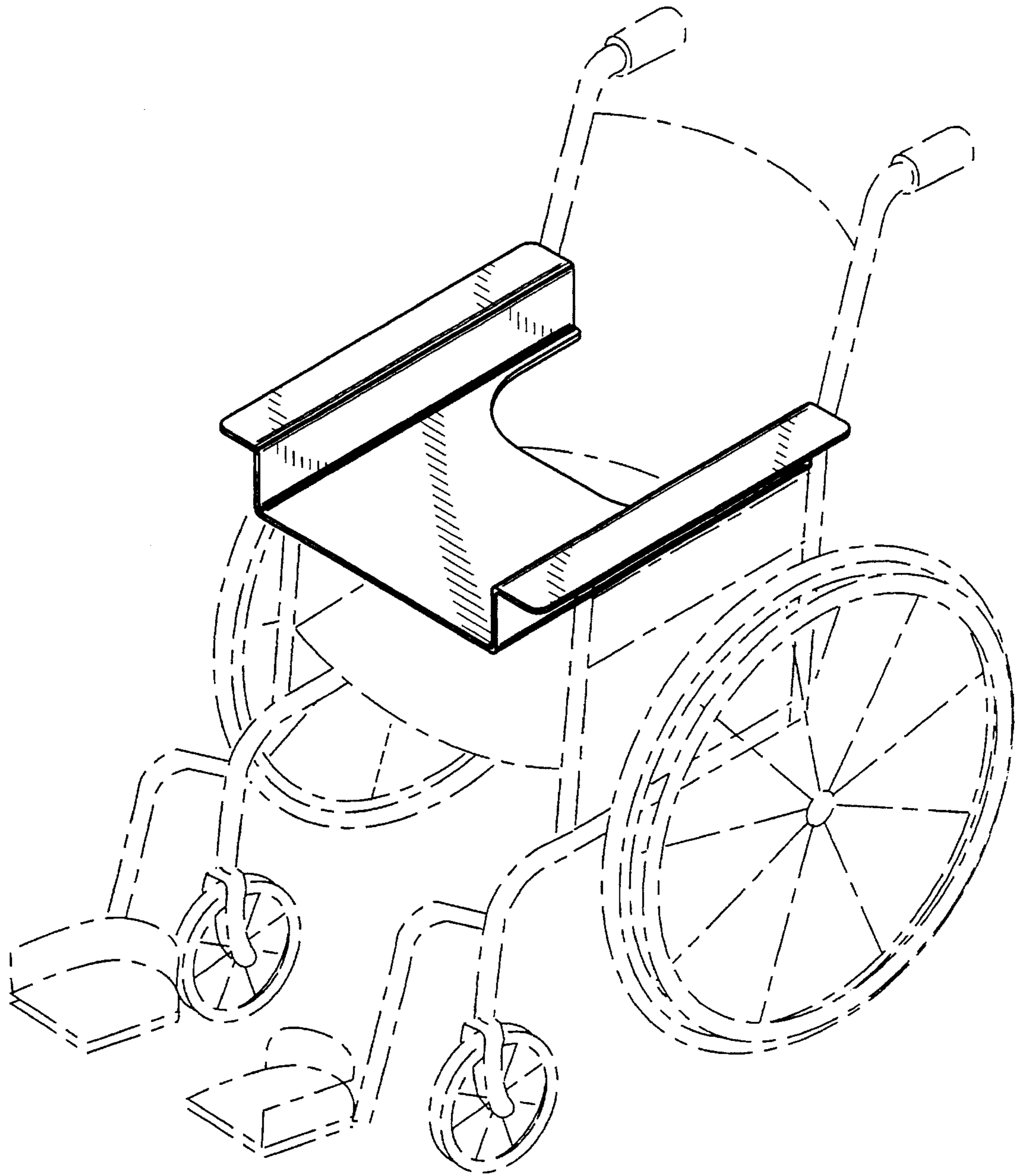


Fig. 1

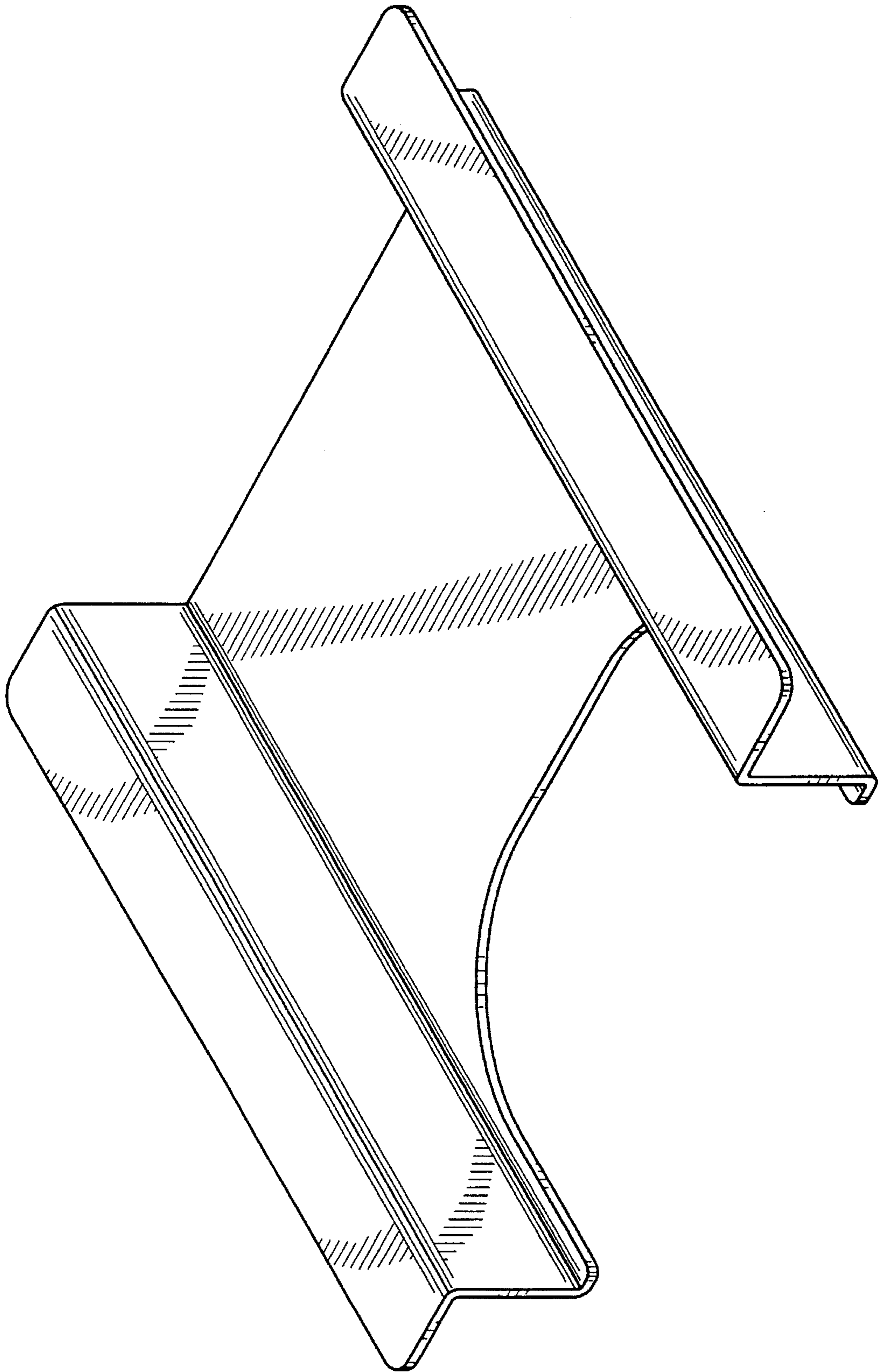


Fig. 2

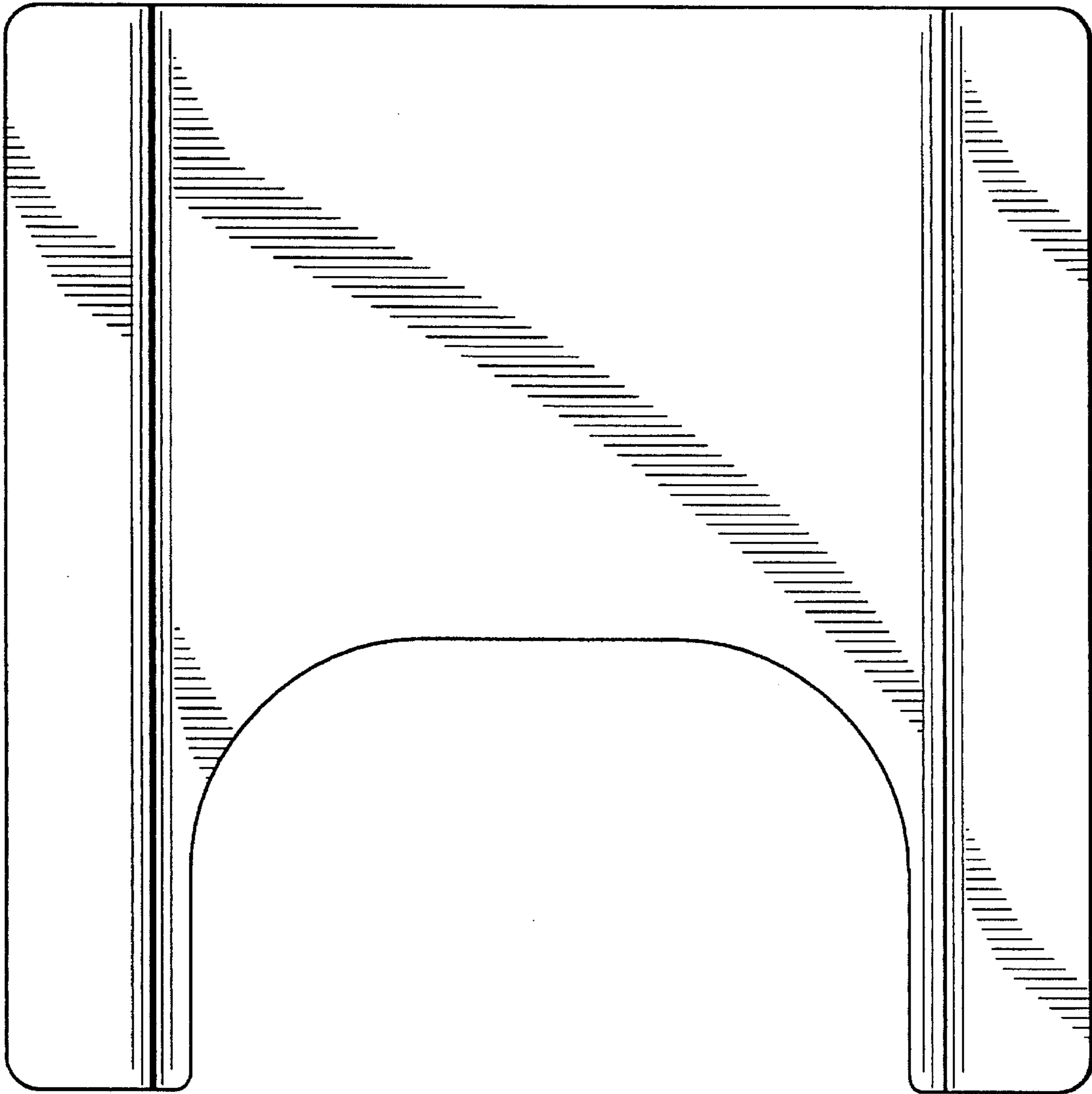


Fig. 3



Fig. 4

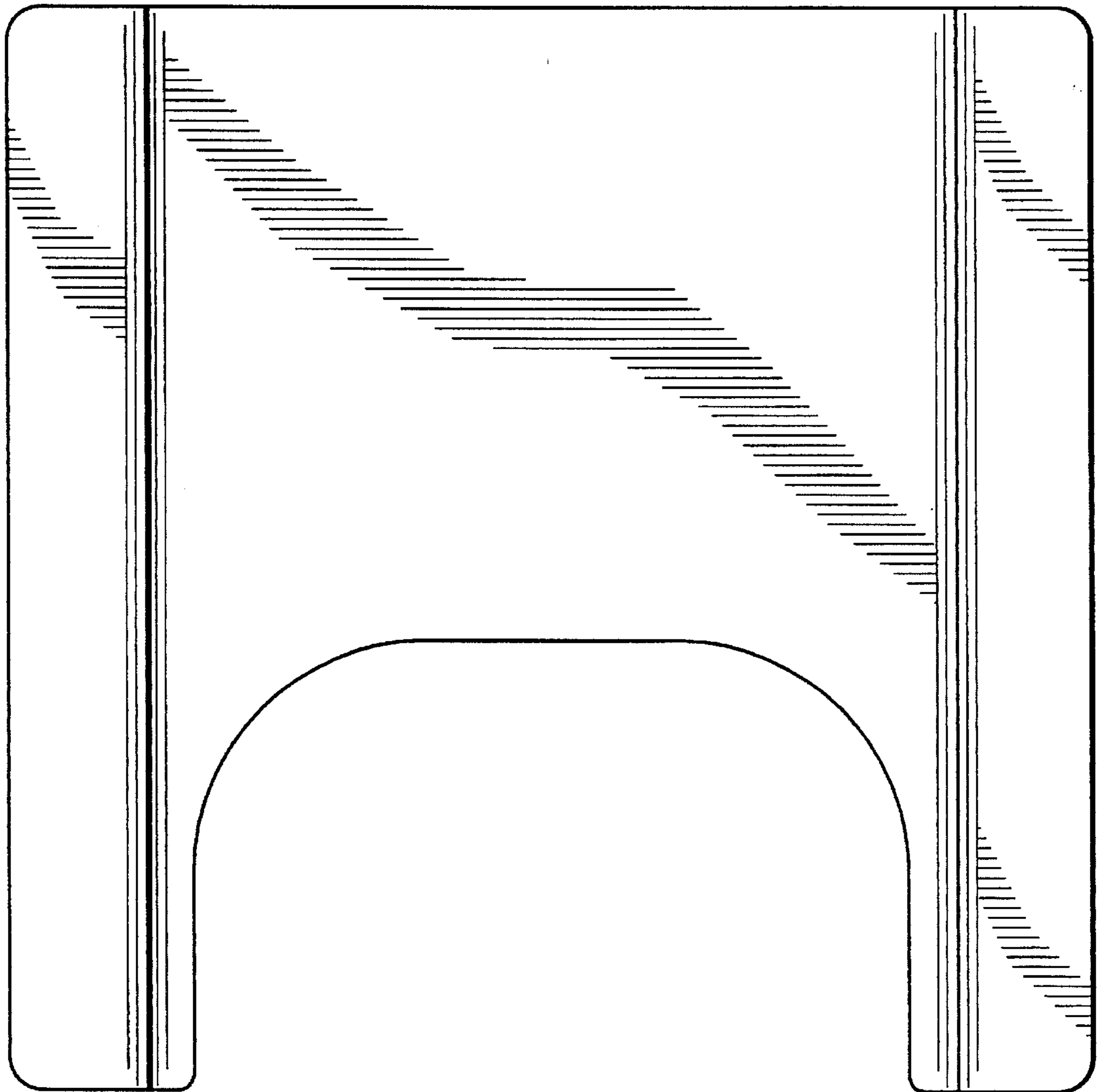


Fig. 5



Fig. 6

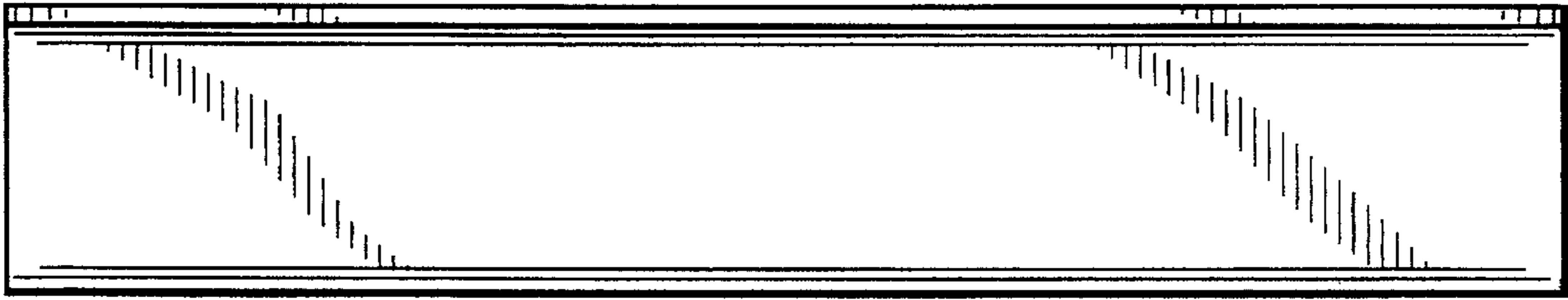


Fig. 7

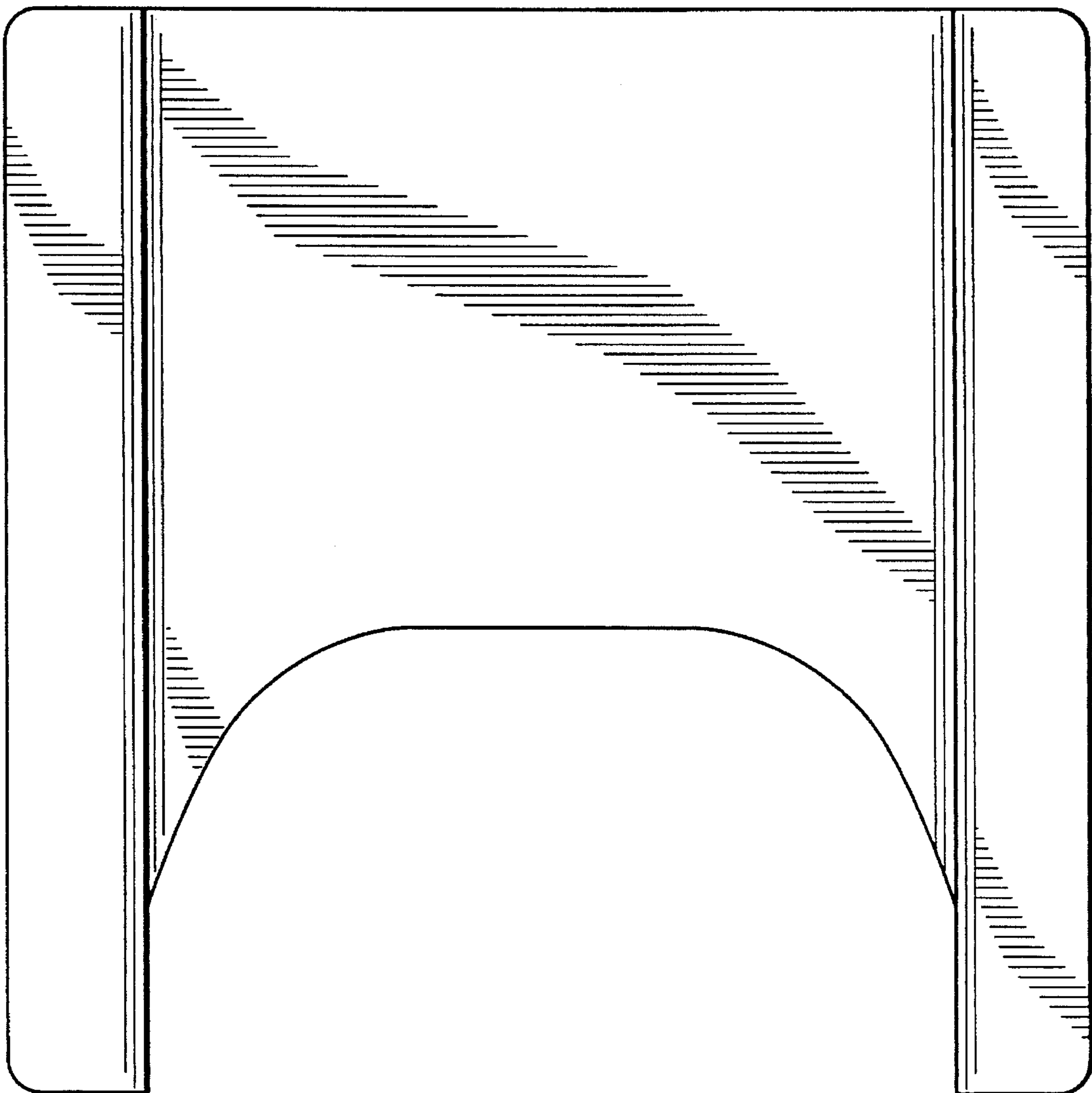


Fig. 8

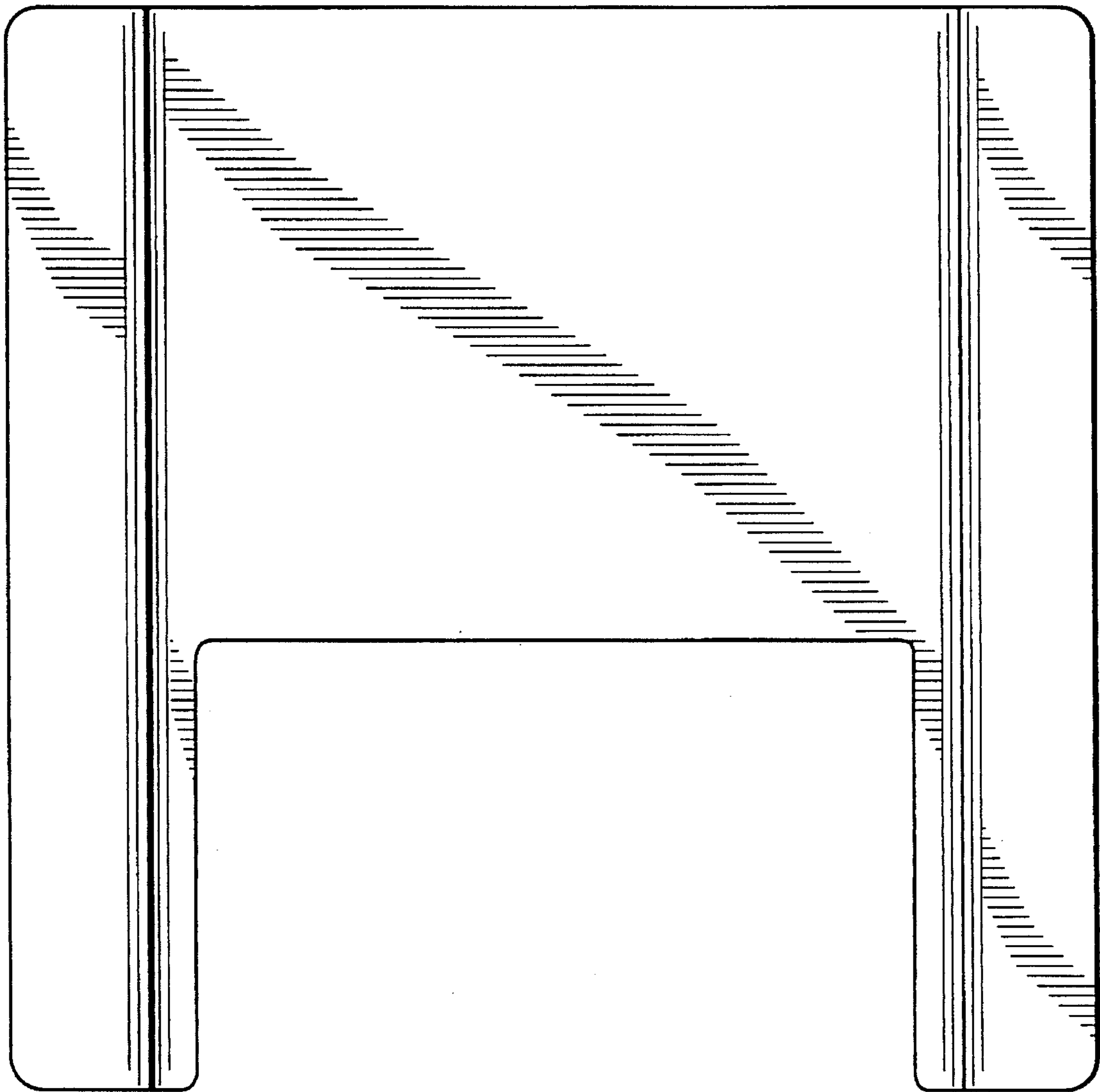


Fig. 9