



US00D373328S

# United States Patent [19]

[11] Patent Number: **Des. 373,328**

Sellers

[45] Date of Patent: **\*\*\* Sep. 3, 1996**

[54] **PLANT SAUCER FOR MULTIPLE PLANT GROUPINGS**

[76] Inventor: **Kathleen R. Sellers**, 228 E. Boca Raton Rd., Boca Raton, Fla. 33432

[\*] Notice: The portion of the term of this patent subsequent to Feb. 20, 2010, has been disclaimed.

[\*\*] Term: **14 Years**

[21] Appl. No.: **37,733**

[22] Filed: **Apr. 19, 1995**

[52] U.S. Cl. .... **D11/164**

[58] Field of Search ..... D11/164; D7/502, D7/543; 47/18 R, 39 P, 71; 206/557

[56] **References Cited**

**U.S. PATENT DOCUMENTS**

D. 320,908	10/1991	Zimmerman	.....	D7/560 X
3,318,283	5/1967	Maclam et al.	.....	206/557 X
4,232,482	11/1980	Watt et al.	.....	47/71

**FOREIGN PATENT DOCUMENTS**

1221338	5/1987	Canada	.....	206/557
644892	10/1928	France	.....	206/557
1914676	10/1970	Germany	.....	47/71
653568	5/1951	United Kingdom	.....	206/557

**OTHER PUBLICATIONS**

"Design", Dec. 1974, p. 67, butter dish, upper left corner.  
"HFD-Retailing Home Furnishings", Oct. 8, 1979, p. 69, butter keeper.

Primary Examiner—Nelson C. Holtje

Assistant Examiner—S. Snapp

Attorney, Agent, or Firm—Malin, Haley, DiMaggio & Crosby, PA

[57] **CLAIM**

The ornamental design for a plant saucer for multiple plant groupings, as shown and described.

**DESCRIPTION**

FIG. 1 is a top plan view of the plant saucer for multiple plant groupings, showing the new design;

FIG. 2 is a side elevational view thereof; an elevational view of the opposite side is identical;

FIG. 3 is a bottom plan view thereof;

FIG. 4 is an end elevational view thereof; an elevational view of the opposite end is identical;

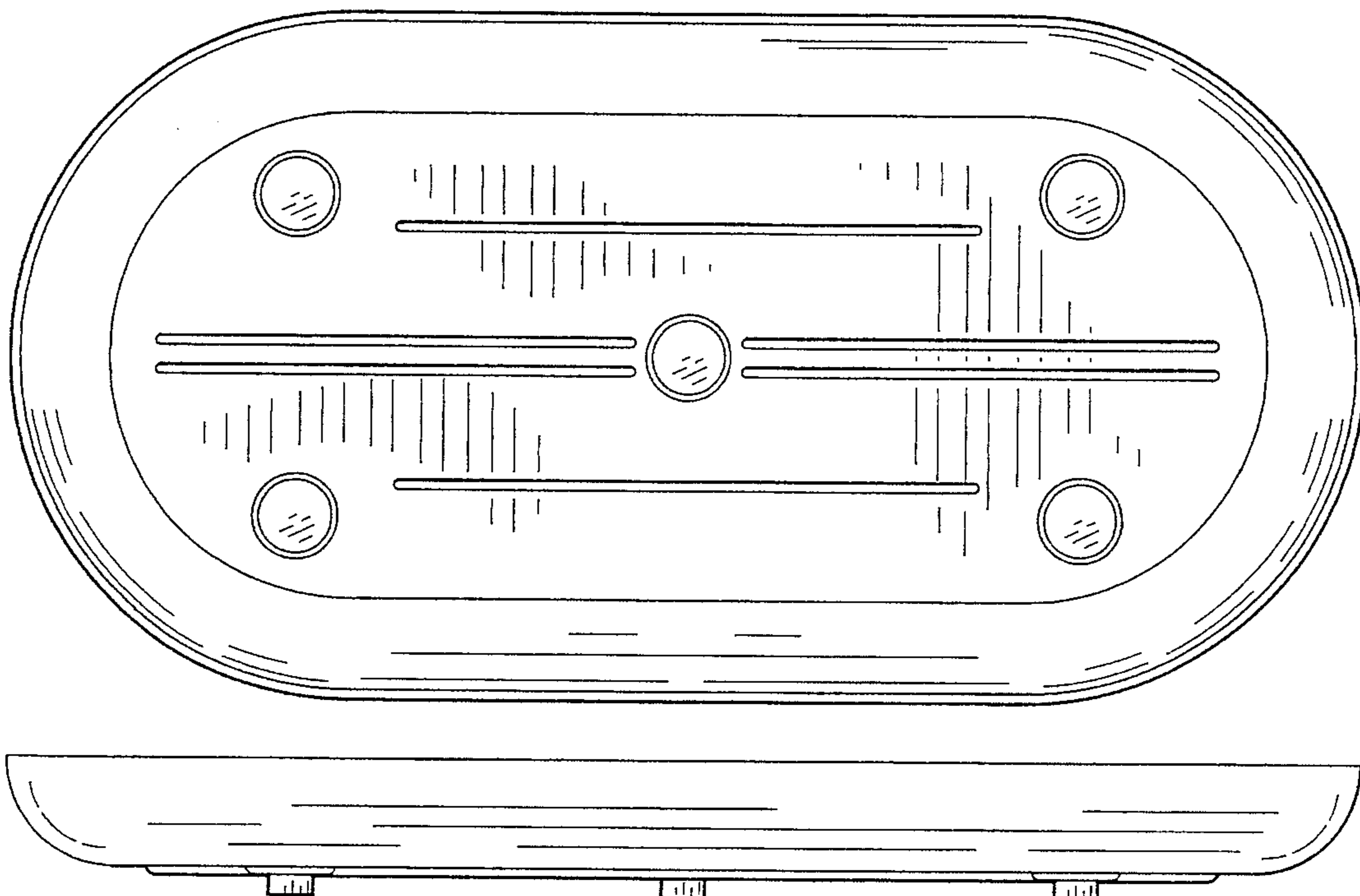
FIG. 5 is a top plan view of the plant saucer for multiple plant groupings showing an alternate embodiment of the new design as transparent;

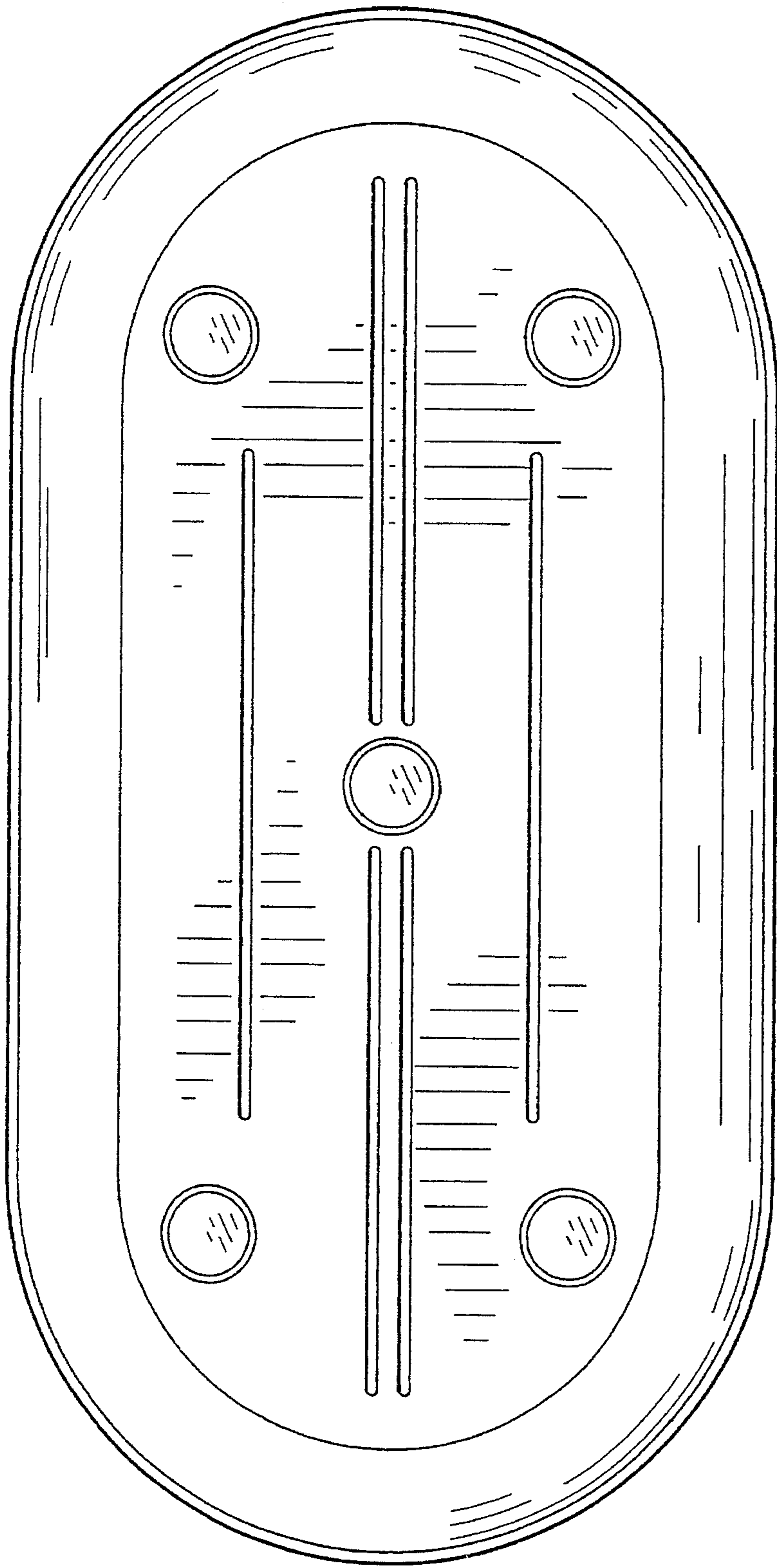
FIG. 6 is a side elevational view of the alternate embodiment of FIG. 5 of the new design; an elevational view of the opposite side is identical;

FIG. 7 is a bottom plan view of the alternate embodiment of FIG. 5 of the new design; and,

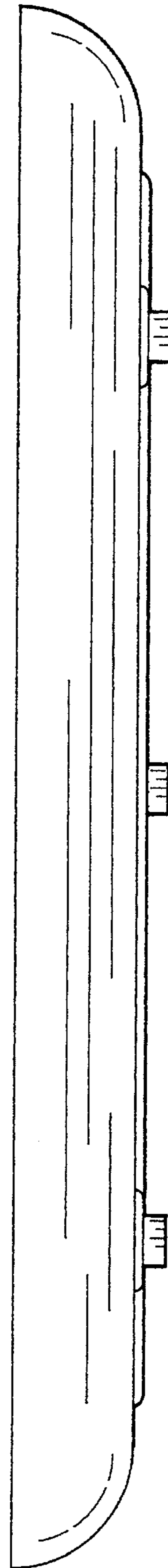
FIG. 8 is an end elevational view of the alternate embodiment of FIG. 5 of the new design; an elevational view of the opposite side is identical.

**1 Claim, 4 Drawing Sheets**

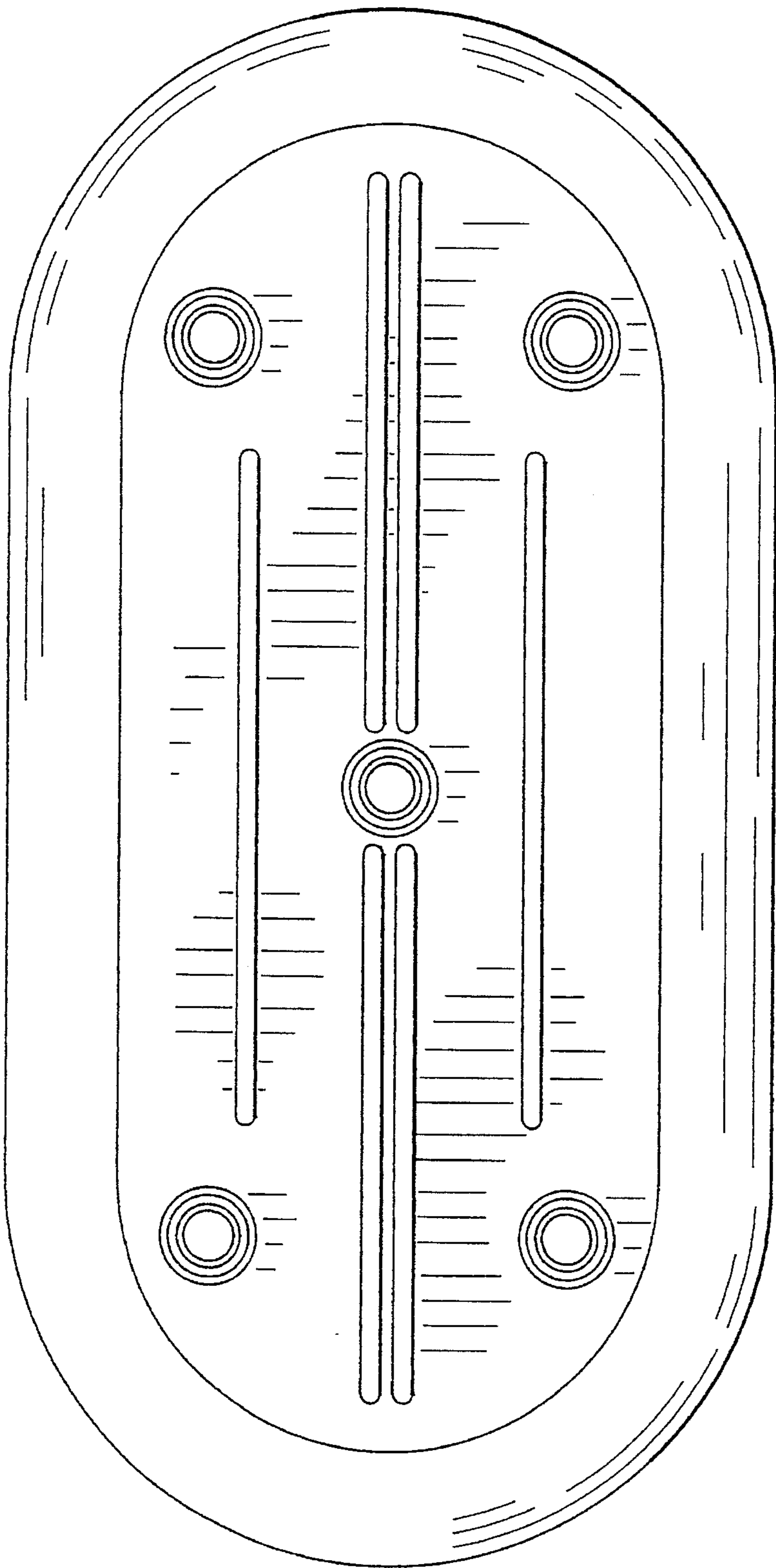




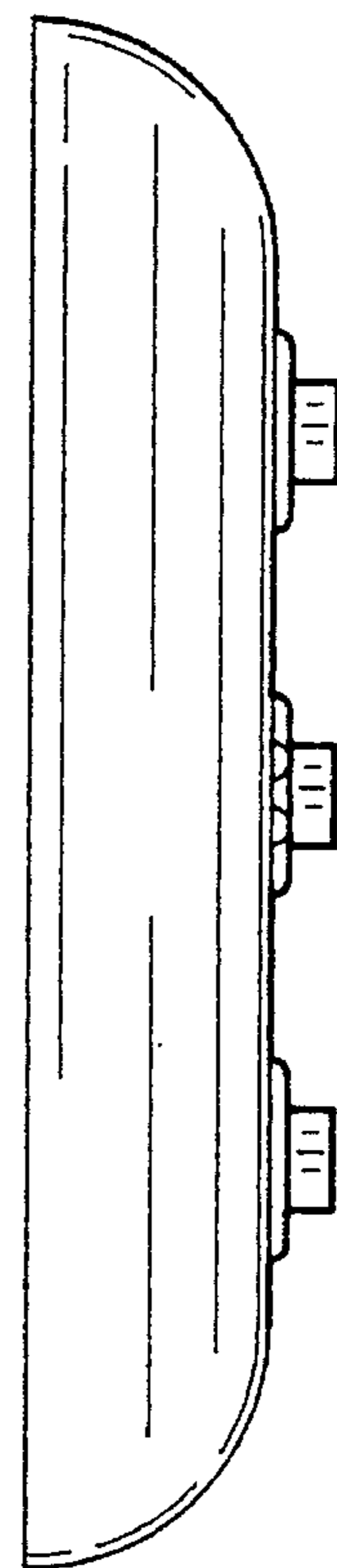
*Fig. 1*



*Fig. 2*

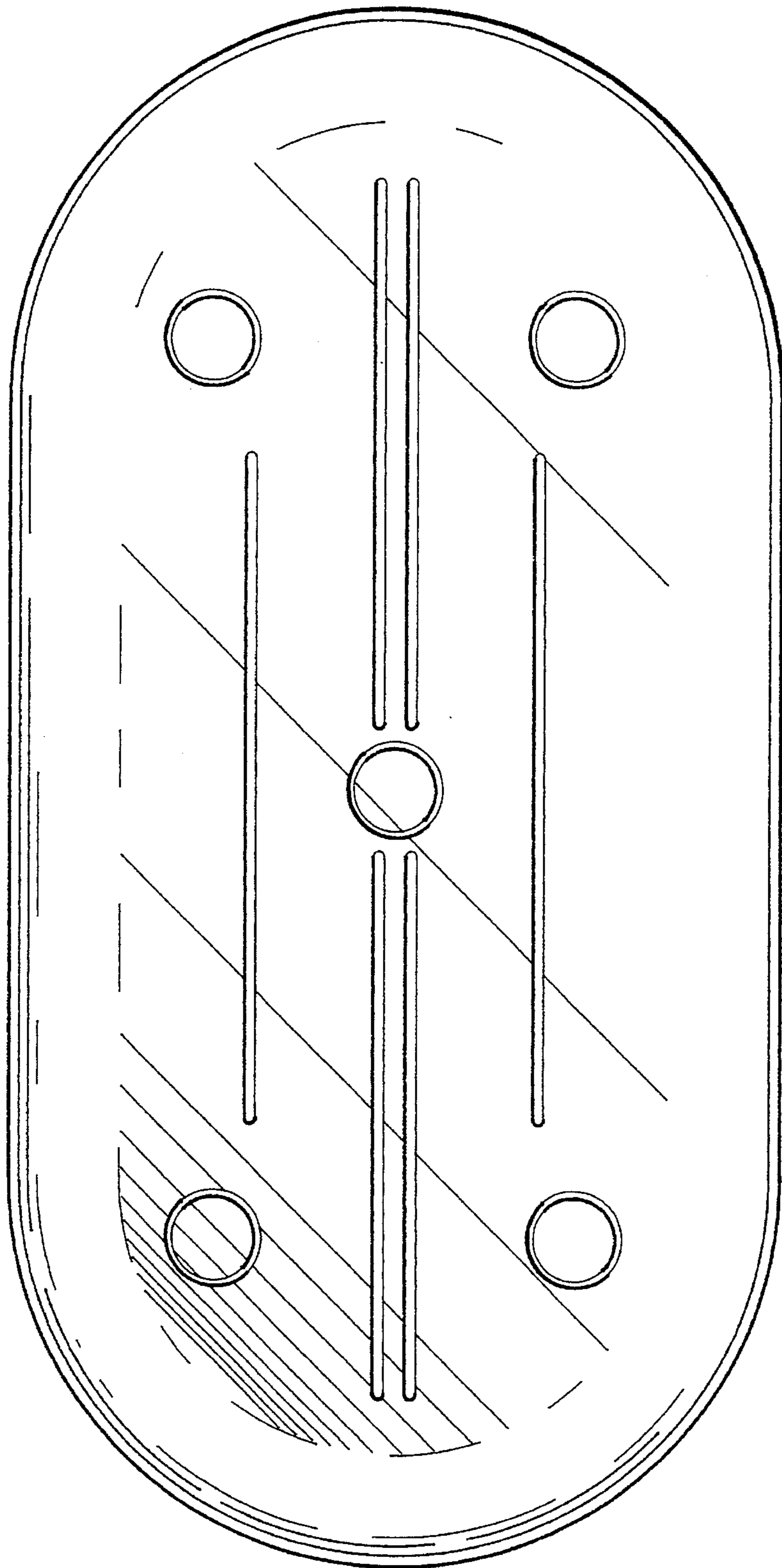


*Fig. 3*

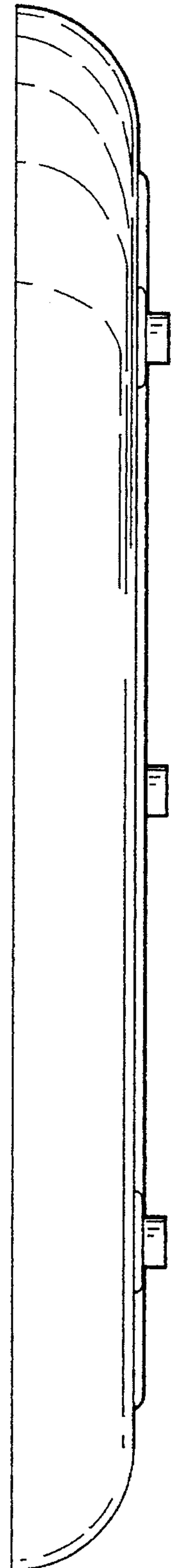


*Fig. 4*

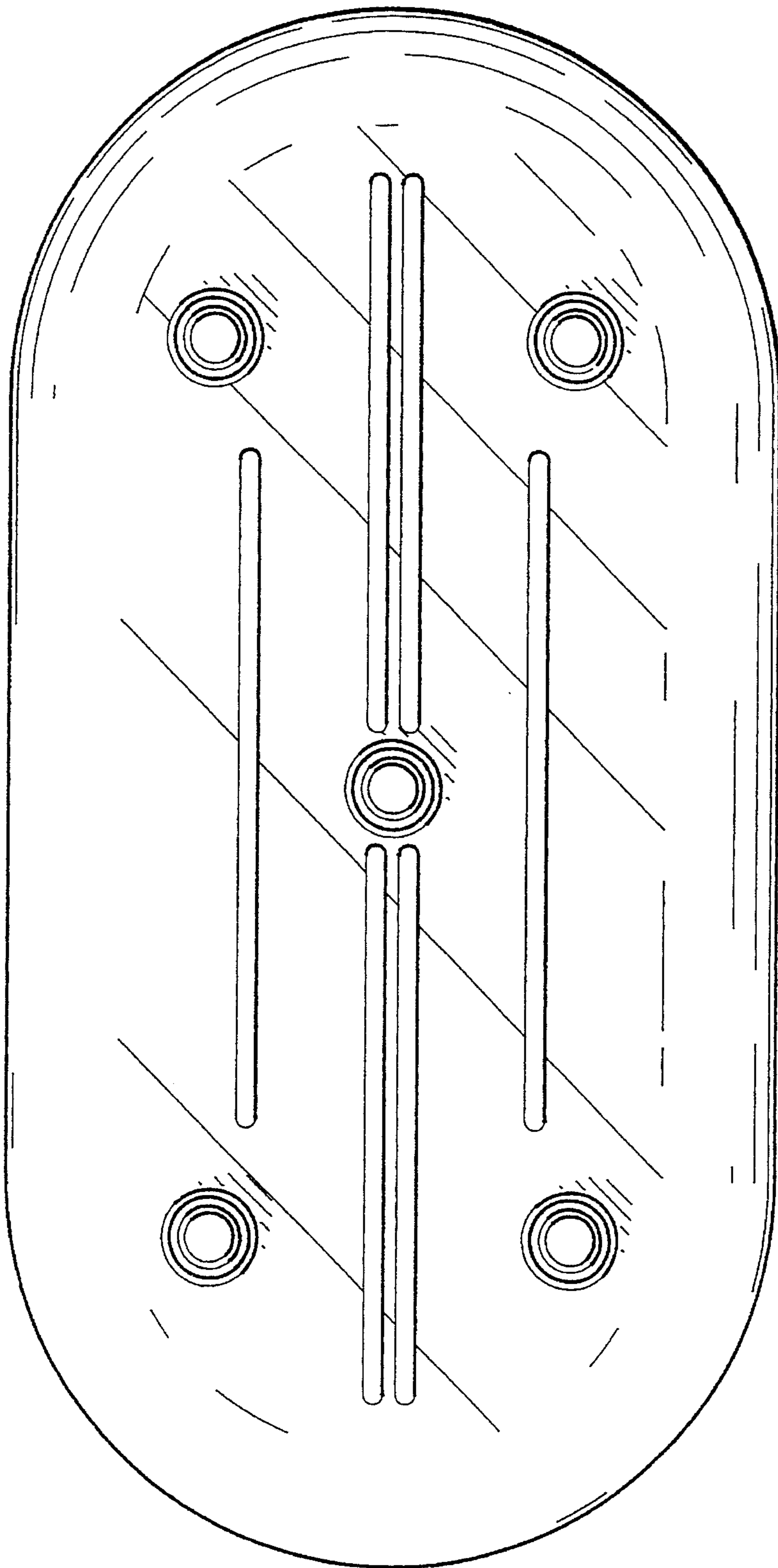




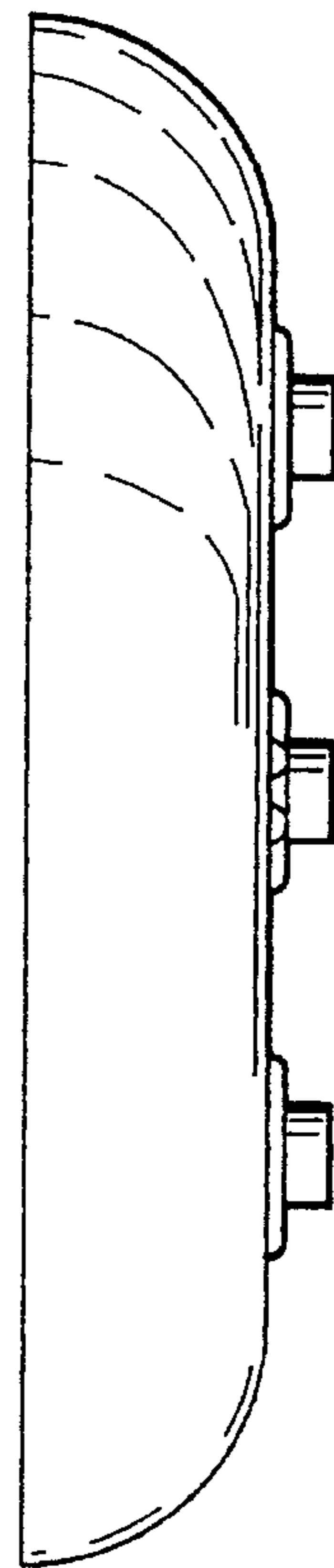
*Fig. 5*



*Fig. 6*



*Fig. 7*



*Fig. 8*