



US00D373327S

United States Patent [19]

[11] Patent Number: **Des. 373,327**

Rush et al.

[45] Date of Patent: ****Sep. 3, 1996**

[54] **ARTIFICIAL AND NATURAL CHRISTMAS TREE HOLDER AND TURNTABLE**

[76] Inventors: **Raymond Rush**, 20 Booth Ave., Englewood Cliffs, N.J. 07632; **Warren Rush**, 309 Willow Ave., Lyndhurst, N.J. 07071

[**] Term: **14 Years**

[21] Appl. No.: **33,909**

[22] Filed: **Jan. 23, 1995**

[52] U.S. Cl. **D11/130.1**

[58] Field of Search D11/130.1; 47/40.5; 248/519, 527

[56] **References Cited**

U.S. PATENT DOCUMENTS

D. 172,007	4/1954	Cousland	D11/130.1
D. 351,570	10/1994	Fillipp	D11/130.1
D. 354,930	1/1995	Rush et al.	D11/130.1
1,853,164	4/1932	Block	D11/130.1 X
2,847,175	8/1958	Farley et al.	D11/130.1 X

Primary Examiner—Dominic Simone
Attorney, Agent, or Firm—Siegmar Silber

[57] **CLAIM**

The ornamental design for an artificial and natural Christmas tree holder and turntable, as shown and described.

DESCRIPTION

FIG. 1 is a perspective view of an artificial and natural Christmas tree holder and turntable of this invention showing in broken lines a natural tree trunk for illustrative purposes only;

FIG. 2 is a front elevational view thereof;

FIG. 3 is a top plan view thereof;

FIG. 4 is a rear elevational view thereof;

FIG. 5 is a right side elevational view thereof;

FIG. 6 is a left side elevational view thereof; and,

FIG. 7 is a top plan view of a second embodiment of FIG. 1, the difference residing in the insertion of an adapter plate for artificial trees.

In the second embodiment only the perspective and top plan views are shown as the remaining views are identical to those of the first embodiment.

The bottom surface of the artificial and natural Christmas tree holder and turntable forms no part of the design.

1 Claim, 4 Drawing Sheets

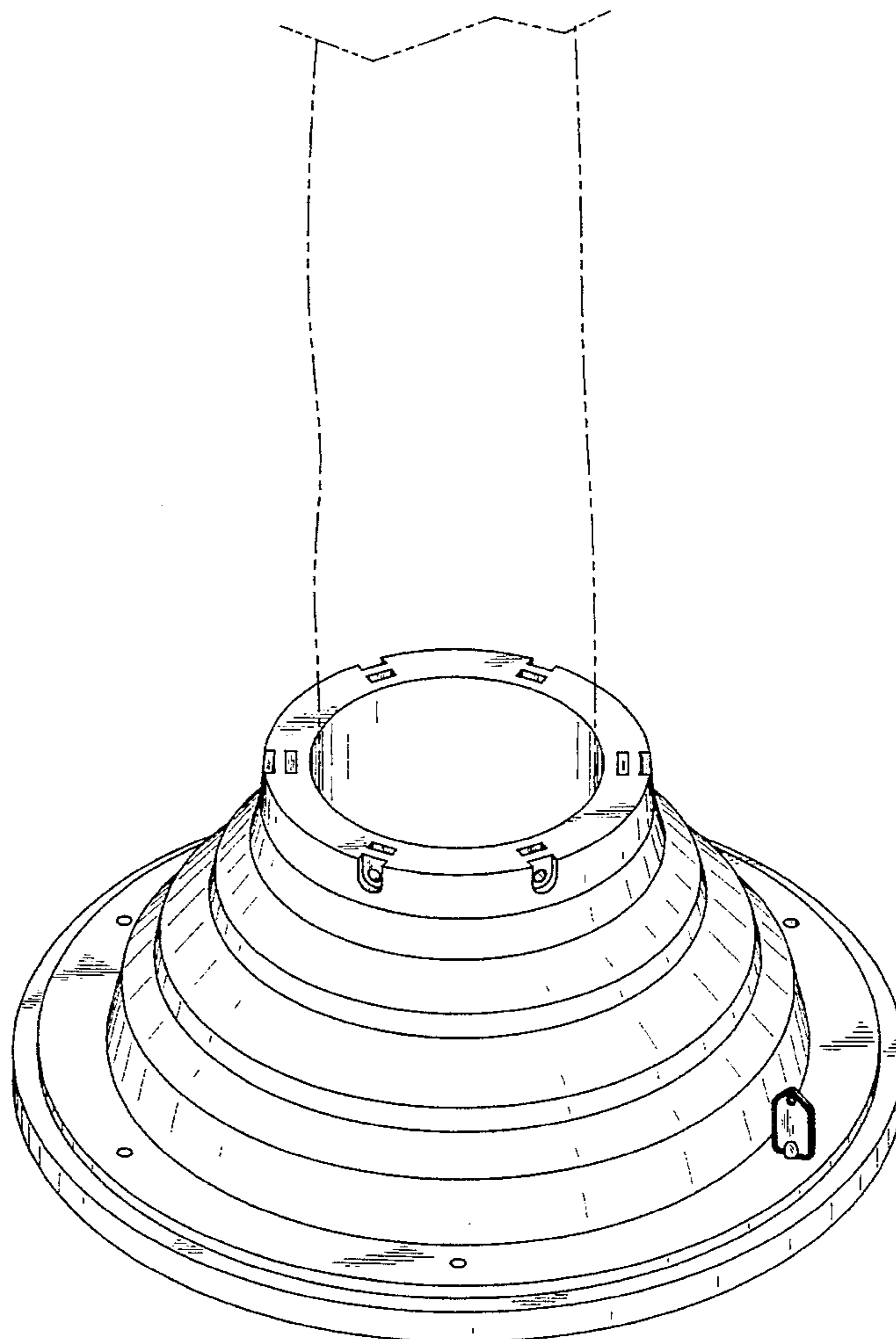


FIG. 1

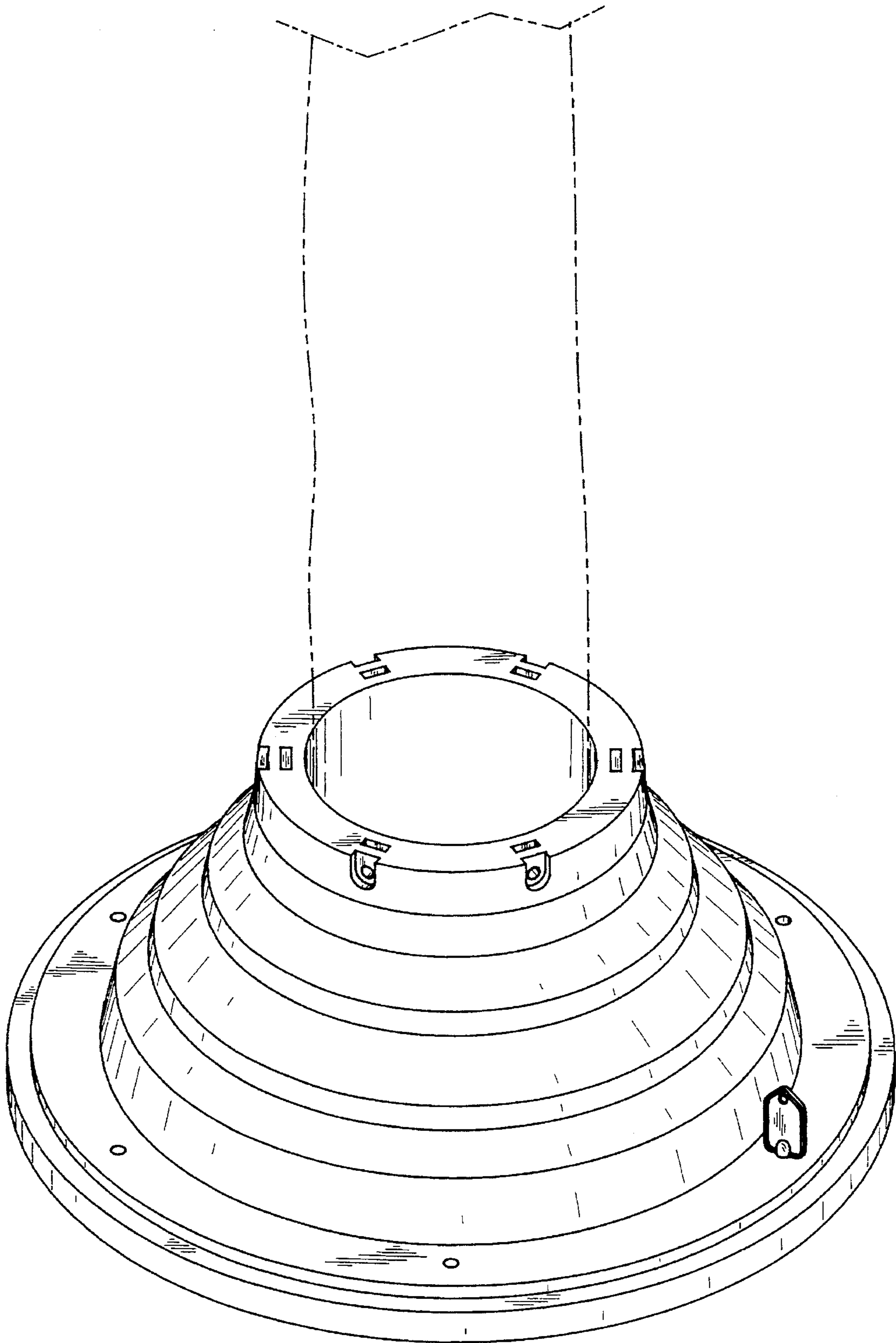


FIG. 2

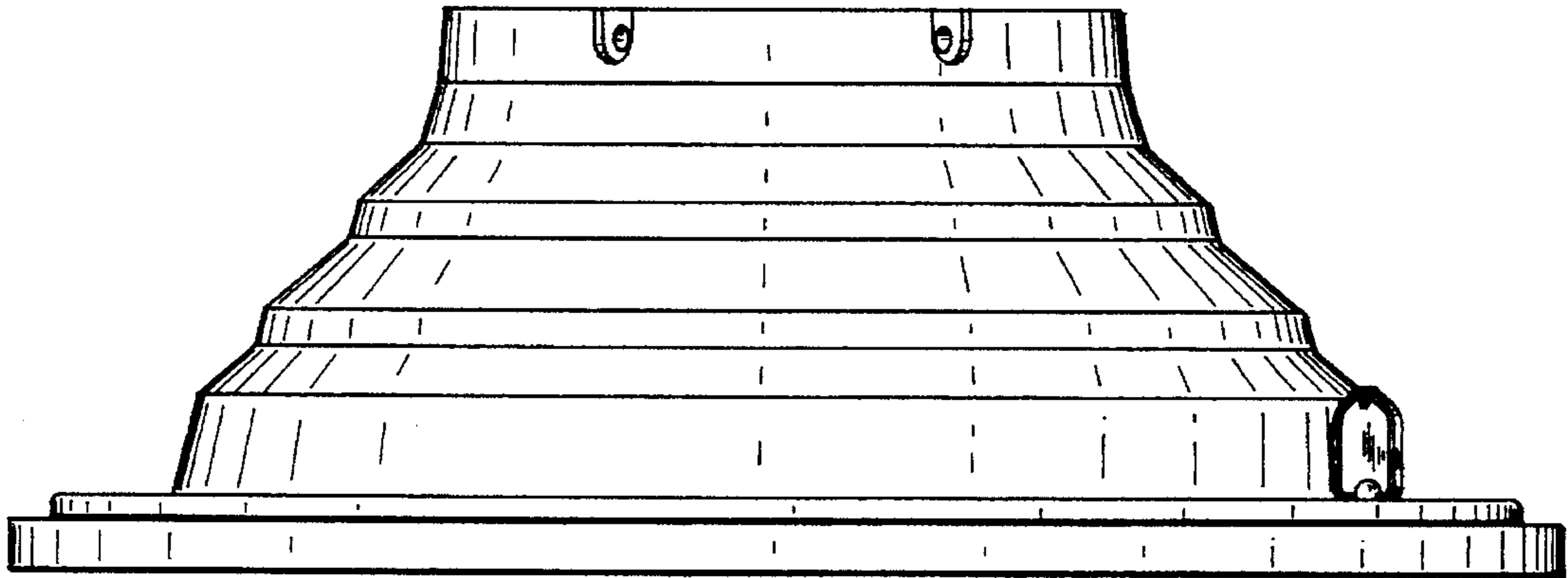


FIG. 3

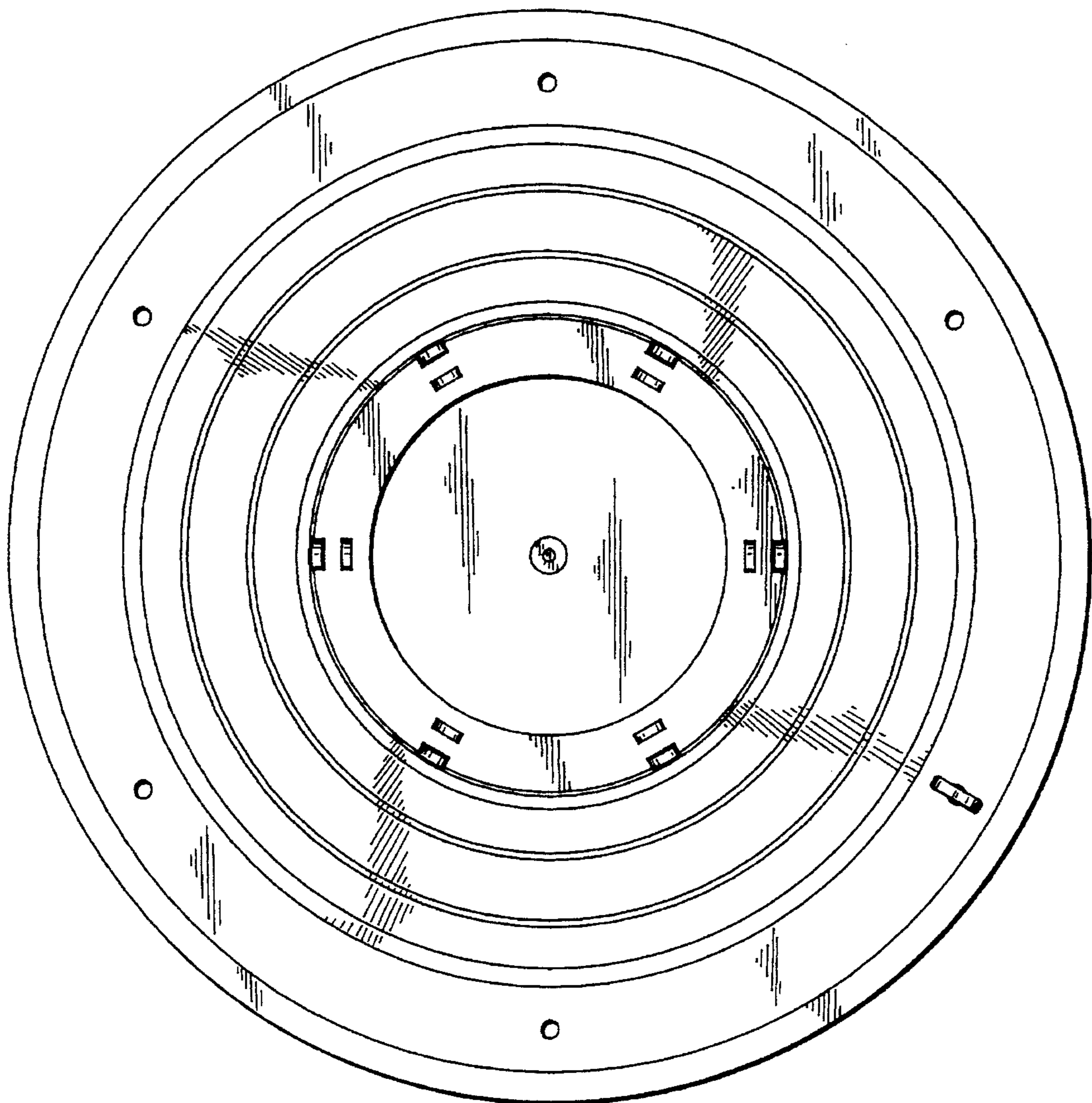


FIG. 4

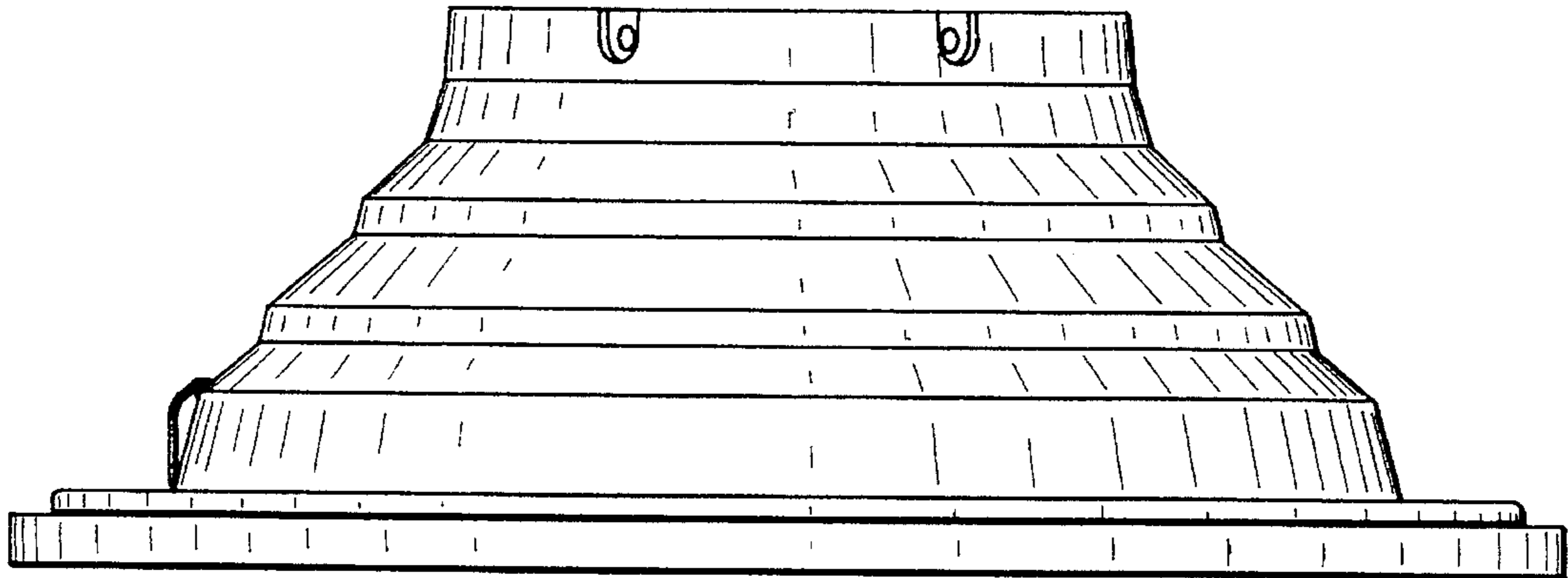


FIG. 5

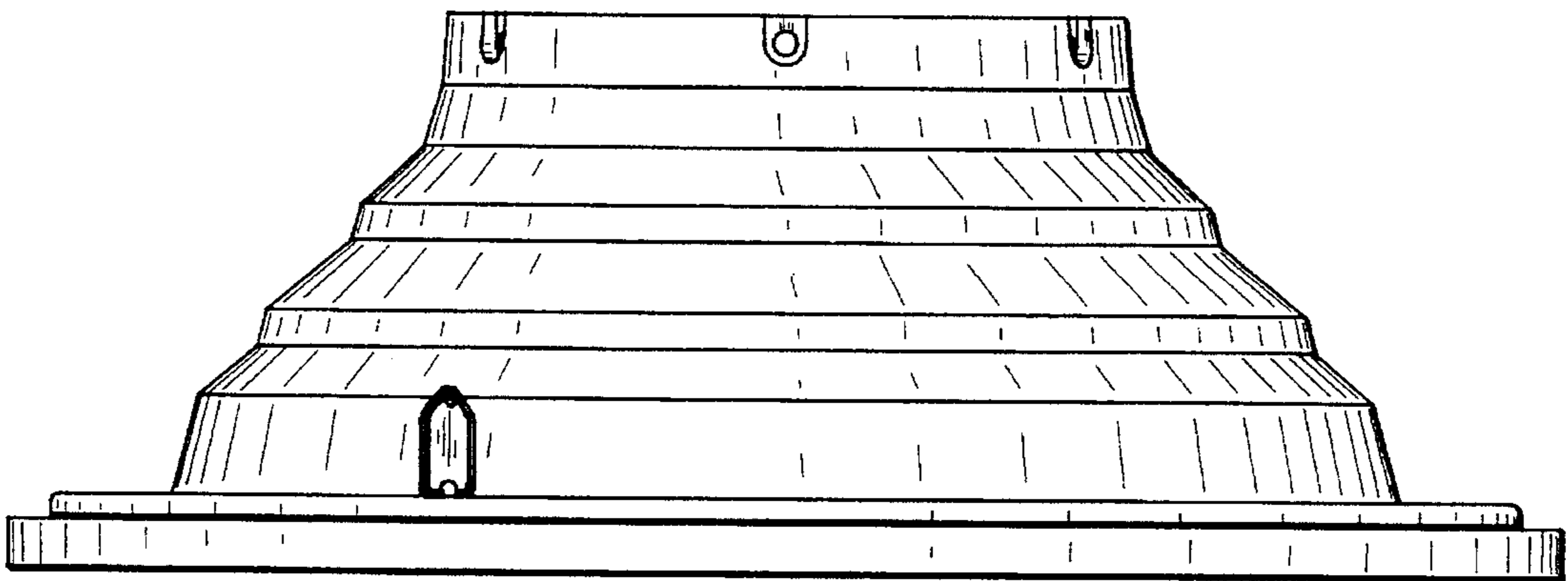


FIG. 6

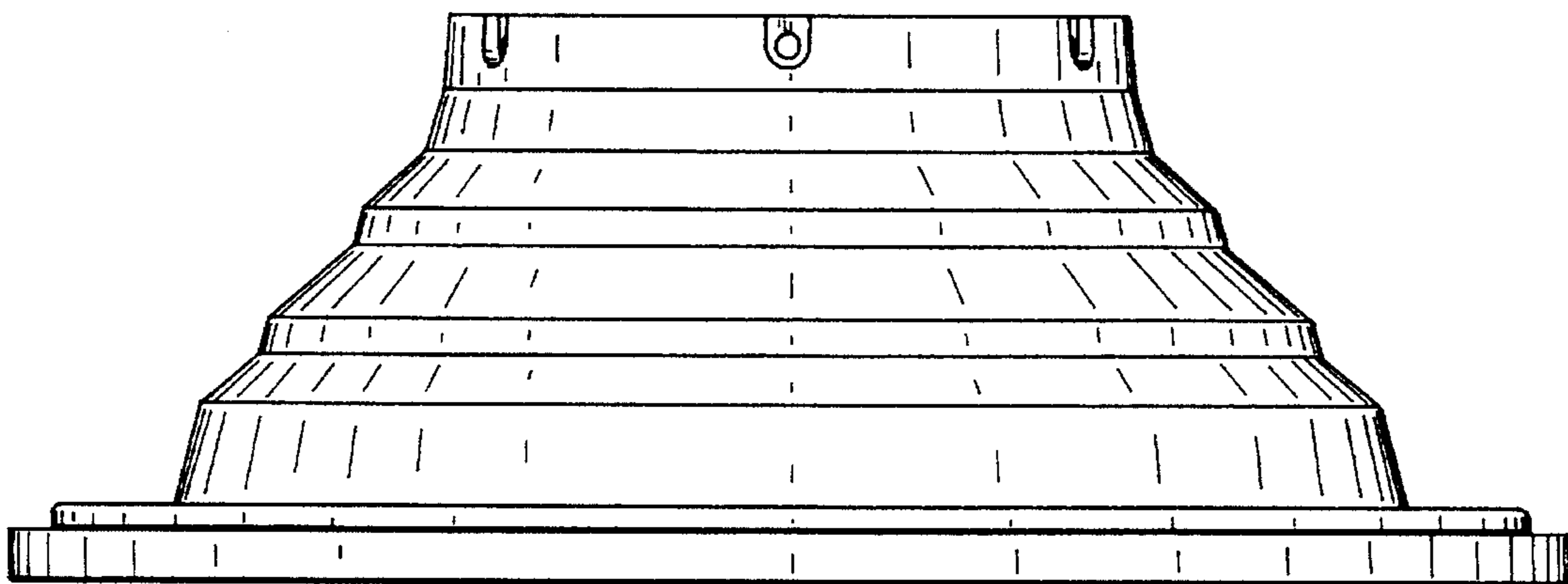


FIG. 7

