



US00D373320S

United States Patent [19] Jaakkola

[11] Patent Number: **Des. 373,320**

[45] Date of Patent: ****Sep. 3, 1996**

[54] **BUOY**

D. 366,005 1/1996 Beyer-Olsen D10/107
546,057 9/1895 Richard D10/107

[75] Inventor: **Aarno Jaakkola**, Pellinki, Finland

FOREIGN PATENT DOCUMENTS

[73] Assignee: **Oy Sabik AB**, Pellinki, Finland

169317 8/1993 Denmark .
1269496 4/1972 United Kingdom .

[**] Term: **14 Years**

Primary Examiner—Marcus A. Jackson
Attorney, Agent, or Firm—Merchant, Gould, Smith, Edell,
Welter & Schmidt, P.A.

[21] Appl. No.: **38,979**

[22] Filed: **May 18, 1995**

[57] CLAIM

[30] Foreign Application Priority Data

The ornamental design for a buoy, as shown and described.

Nov. 24, 1994 [FI] Finland 810/94

DESCRIPTION

[52] U.S. Cl. **D10/107**

[58] Field of Search D10/104, 107,
D10/109, 121; 441/1, 3, 4, 6, 11, 13, 30,
32; 116/107; 114/219

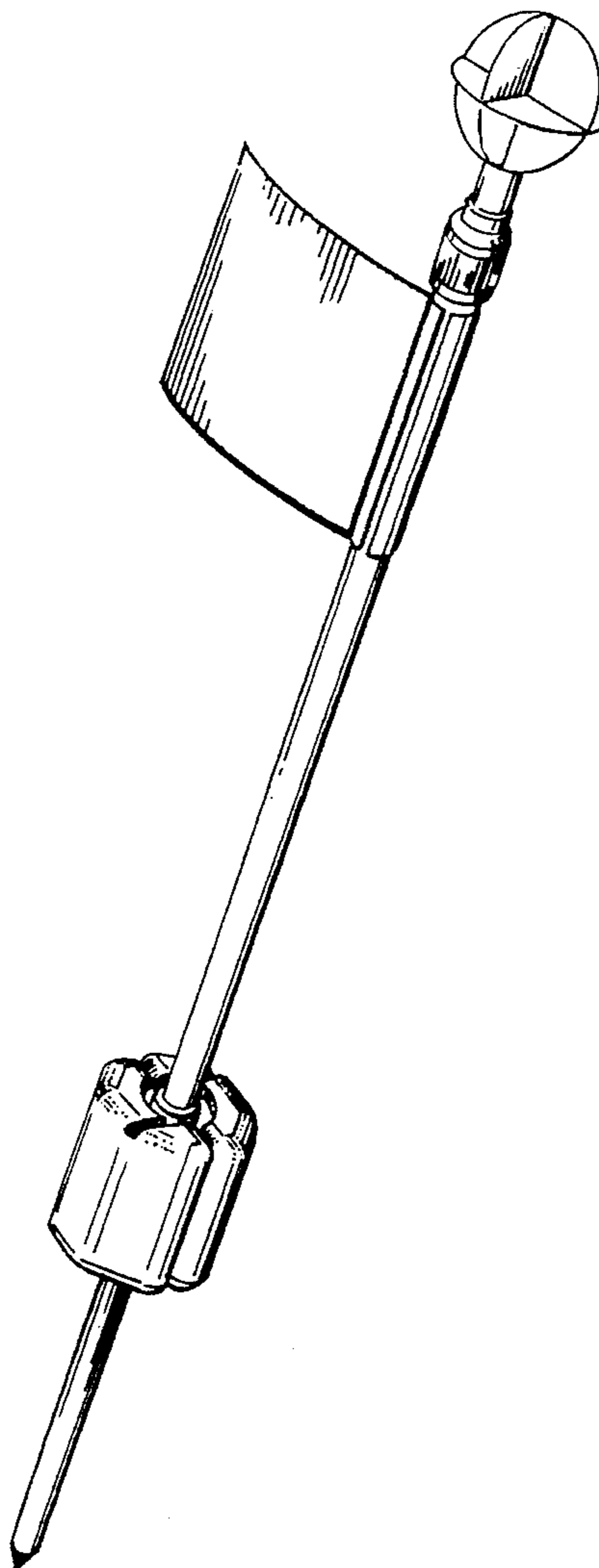
FIG. 1 is a perspective view of my invention;
FIG. 2 is a front plan view;
FIG. 3 is a rear plan view;
FIG. 4 is a side plan view;
FIG. 5 is a plan view of the side opposite FIG. 4;
FIG. 6 is a top plan view; and,
FIG. 7 is a bottom plan view.

[56] References Cited

U.S. PATENT DOCUMENTS

D. 257,506 11/1980 Plante D10/107
D. 362,641 9/1995 Testerman, II D10/107

1 Claim, 2 Drawing Sheets



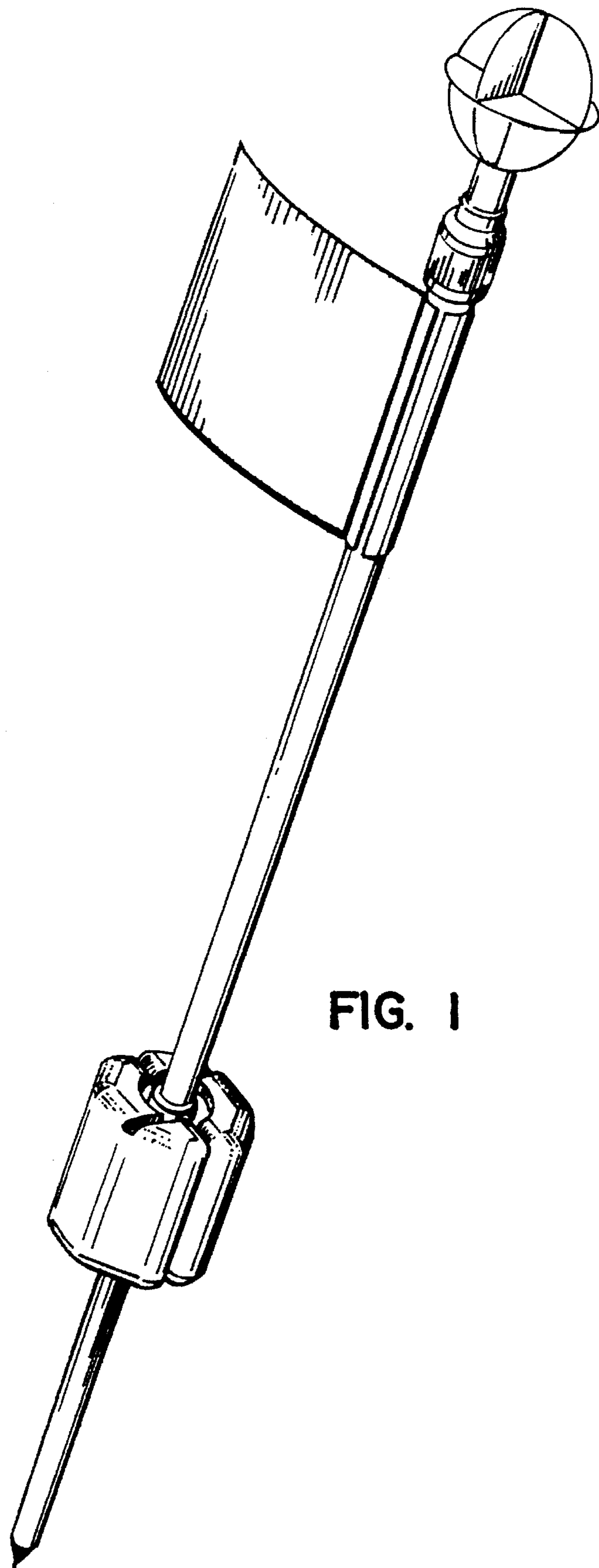


FIG. 1

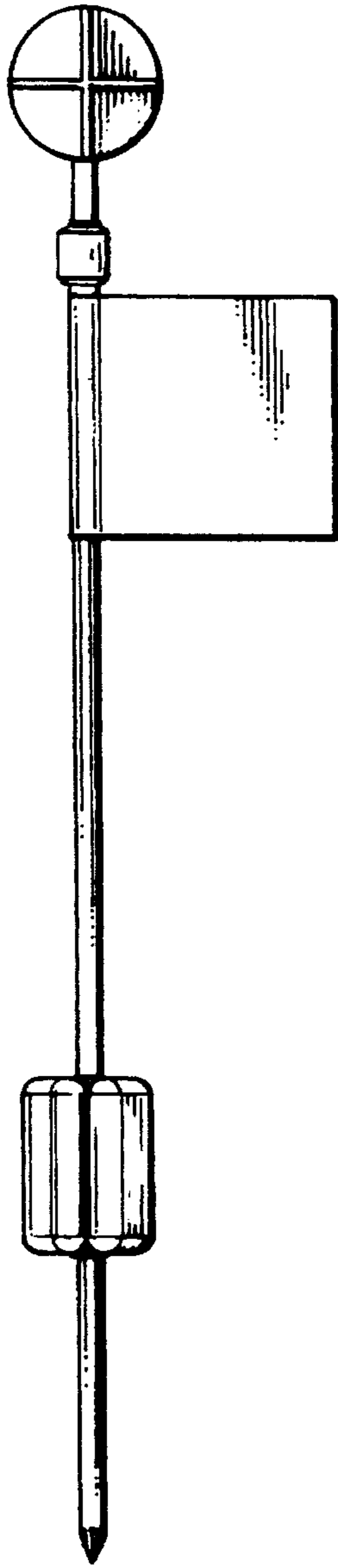


FIG. 2

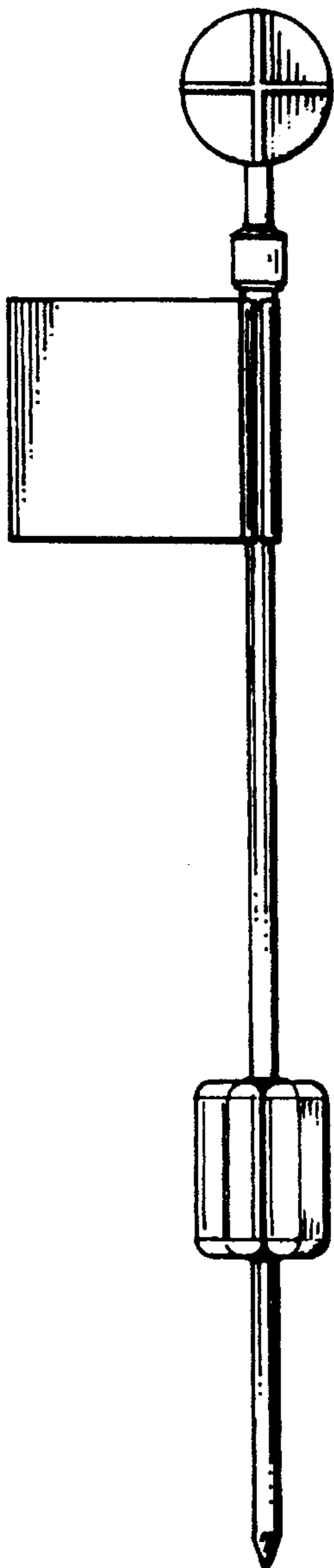


FIG. 3



FIG. 4



FIG. 5

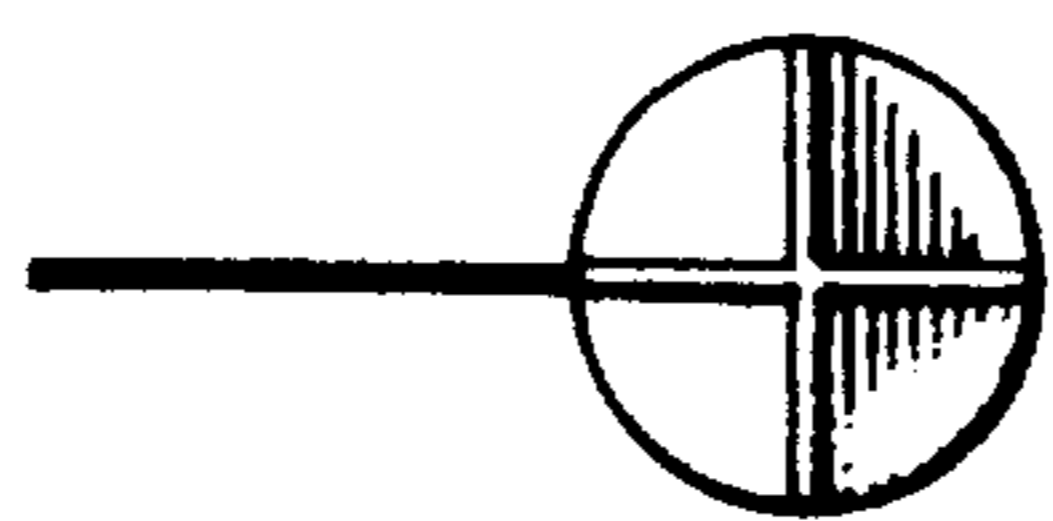


FIG. 6

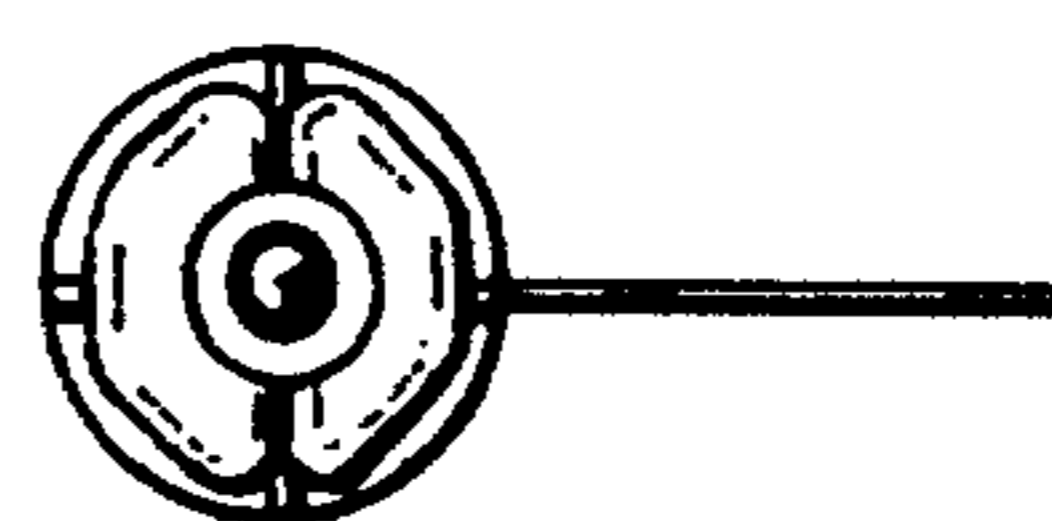


FIG. 7