



US00D373318S

# United States Patent [19]

[11] Patent Number: **Des. 373,318**

**Berch et al.**

[45] Date of Patent: **\*\*Sep. 3, 1996**

[54] **REMOTE CONTROL DEVICE**

D. 357,919 5/1995 Tsui ..... D13/168  
D. 360,154 7/1995 Jung ..... D10/104

[75] Inventors: **Mark E. Berch**, Riverwoods; **Charles Bain**, West Dundee, both of Ill.

### OTHER PUBLICATIONS

[73] Assignee: **Sequel Security Systems, Inc.**, Deerfield, Ill.

Audio Video International Mar. 1994 p. A39 Techne 6500 Security System.  
Video Review Mar. 1992 p. 34 Philips remote control. "Audiovox", undated.

[\*\*] Term: **14 Years**

*Primary Examiner*—Sandra L. Morris  
*Attorney, Agent, or Firm*—Dvorak and Traub

[21] Appl. No.: **32,989**

### [57] CLAIM

[22] Filed: **Jan. 3, 1995**

[52] U.S. Cl. .... **D10/106**; D14/218; D13/168

The ornamental design for a remote control device, as shown.

[58] Field of Search ..... D10/104, 106; D13/168; D14/124, 217, 218, 299; 348/734; 455/151.1-151.4, 352-355

### DESCRIPTION

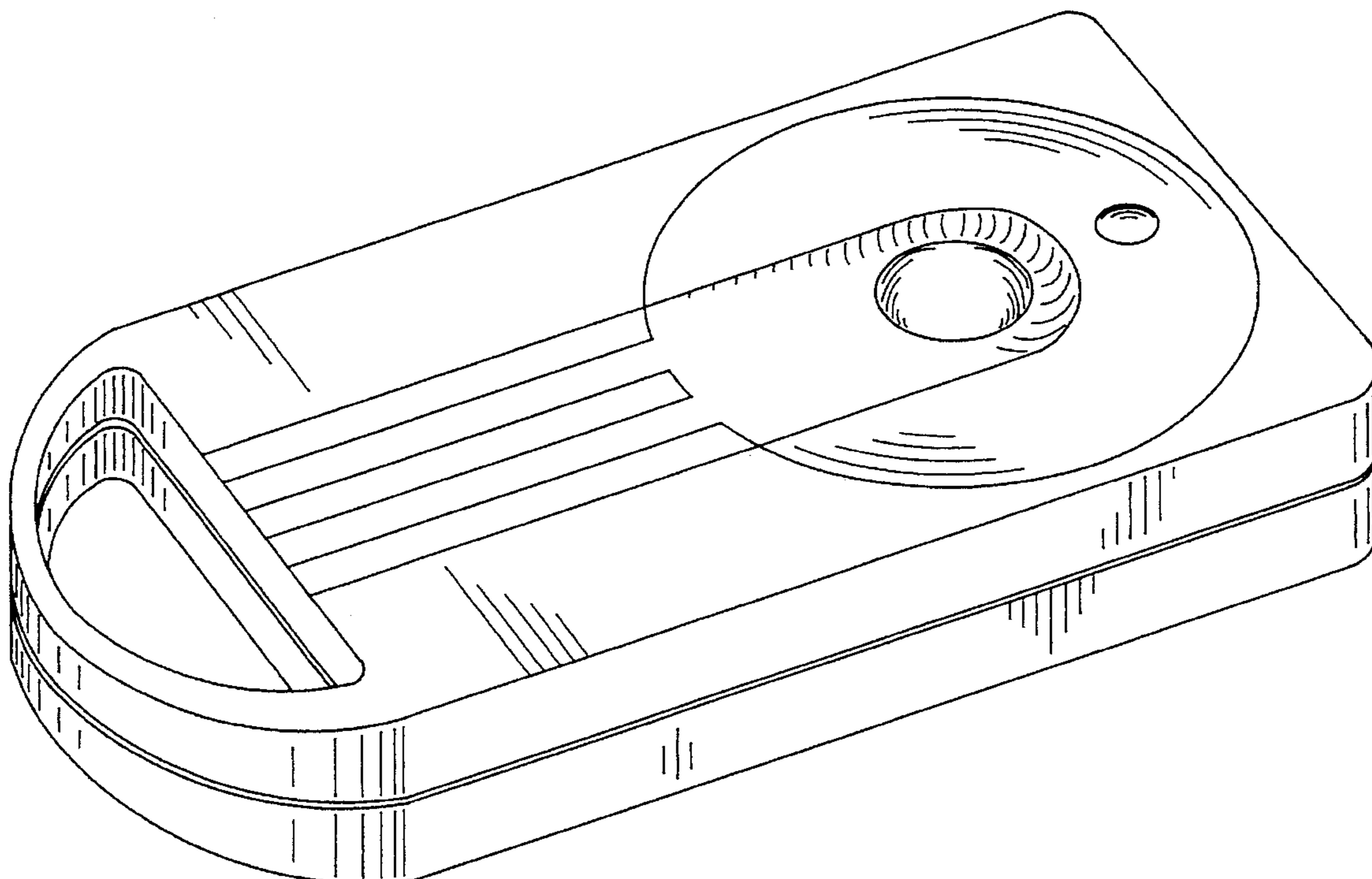
### [56] References Cited

#### U.S. PATENT DOCUMENTS

D. 307,739	5/1990	Grant	.....	D14/218
D. 341,837	11/1993	Curbbun	.....	D14/218
D. 346,152	4/1994	Zaugg	.....	D14/218
D. 352,276	11/1994	Pucci et al.	.....	D13/168
D. 352,930	11/1994	Tsuji	.....	D13/168
D. 352,945	11/1994	Labohm	.....	D14/218

FIG. 1 is a perspective view of a remote control device showing our new design;  
FIG. 2 is a reduced top plan view thereof;  
FIG. 3 is a reduced rear elevational view thereof;  
FIG. 4 is a reduced side elevational view thereof; and,  
FIG. 5 is a reduced front elevational view thereof.

**1 Claim, 2 Drawing Sheets**



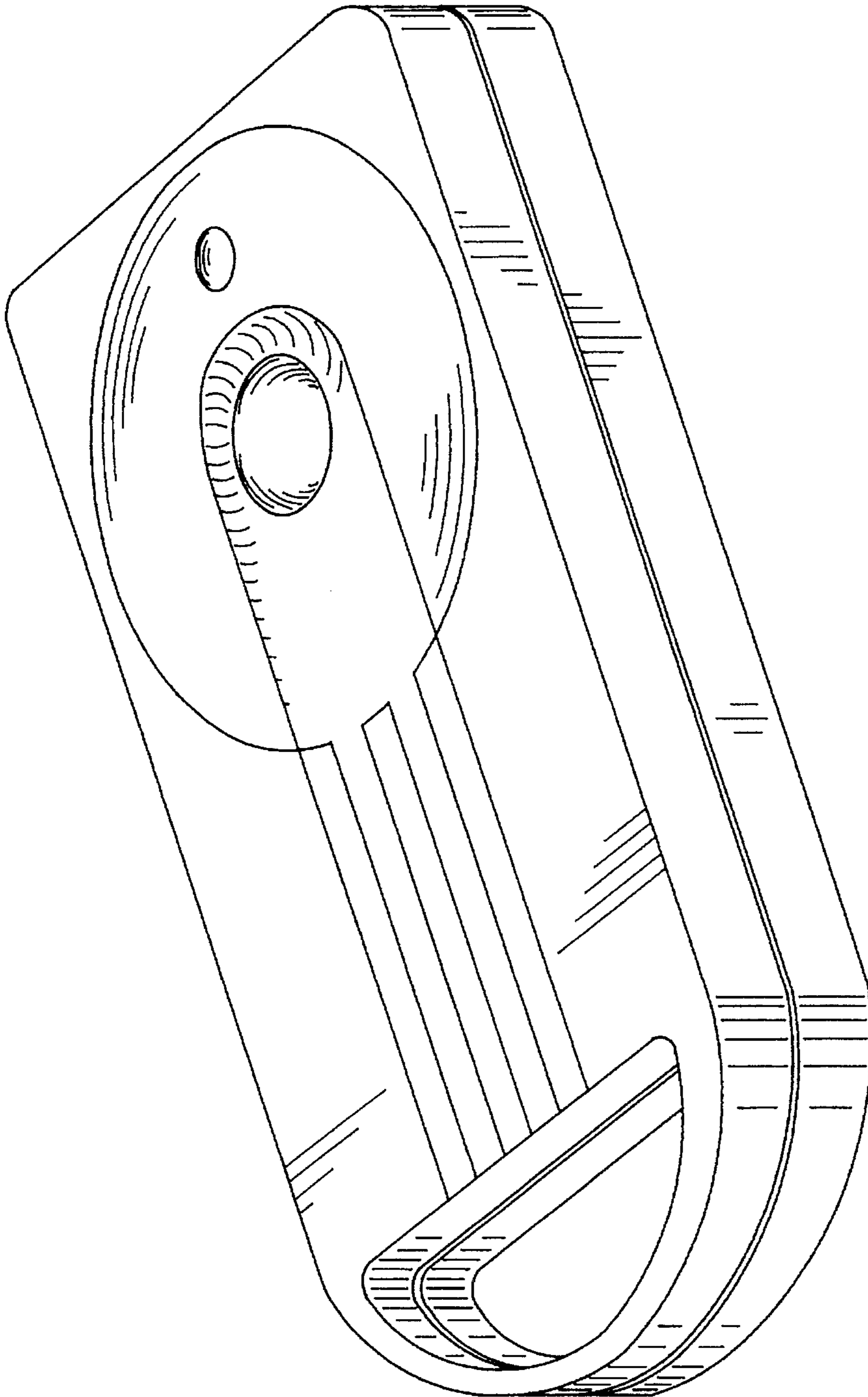


FIG. 1

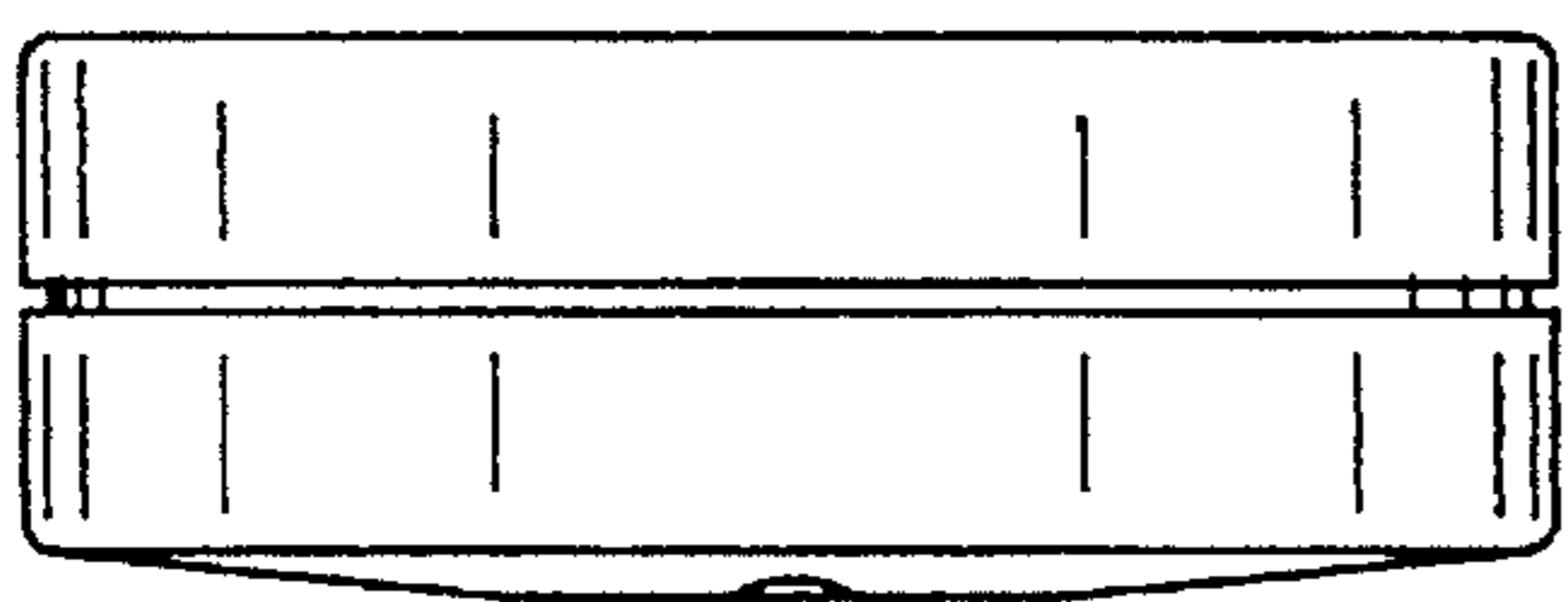


FIG. 3

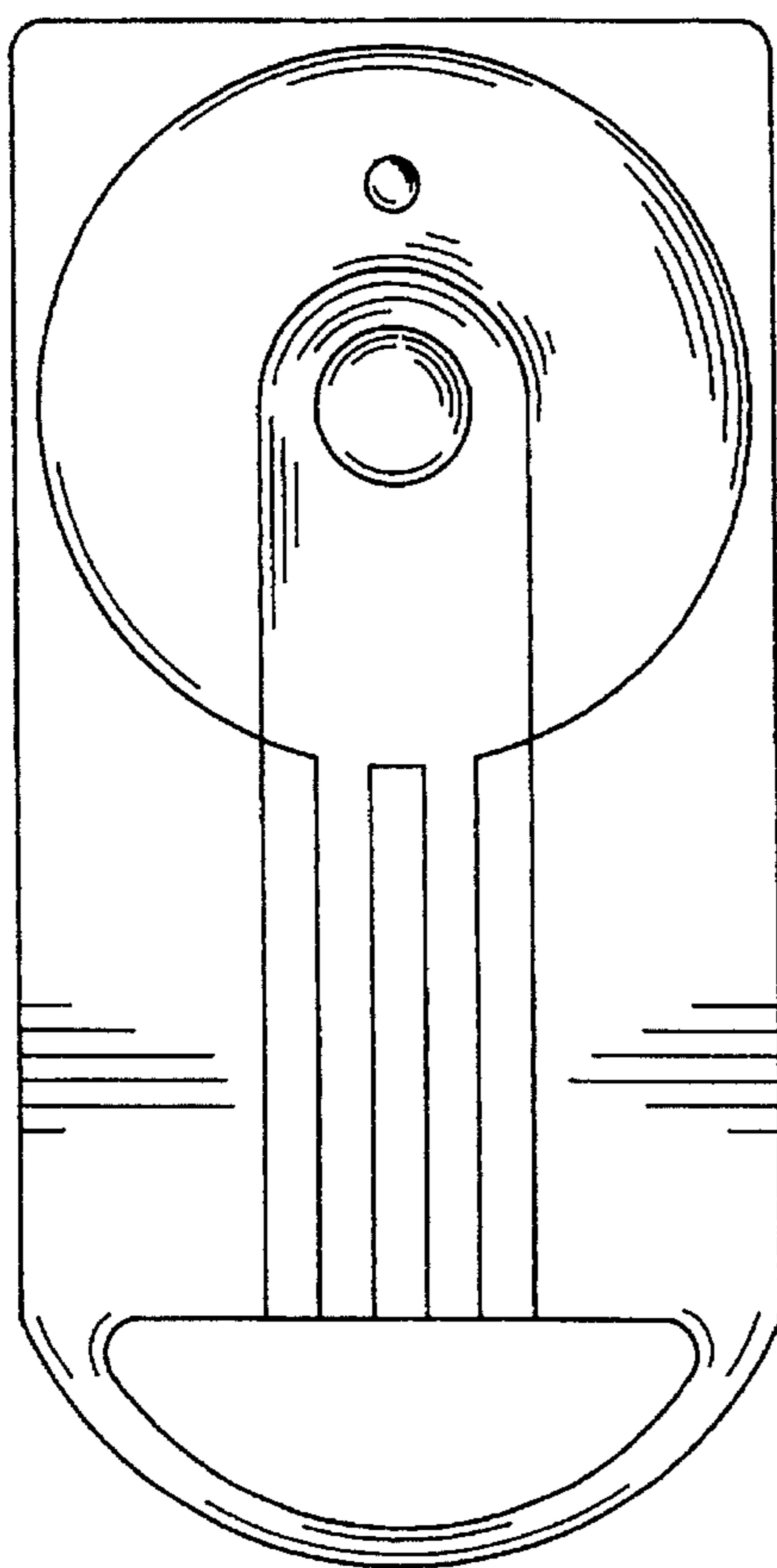


FIG. 2

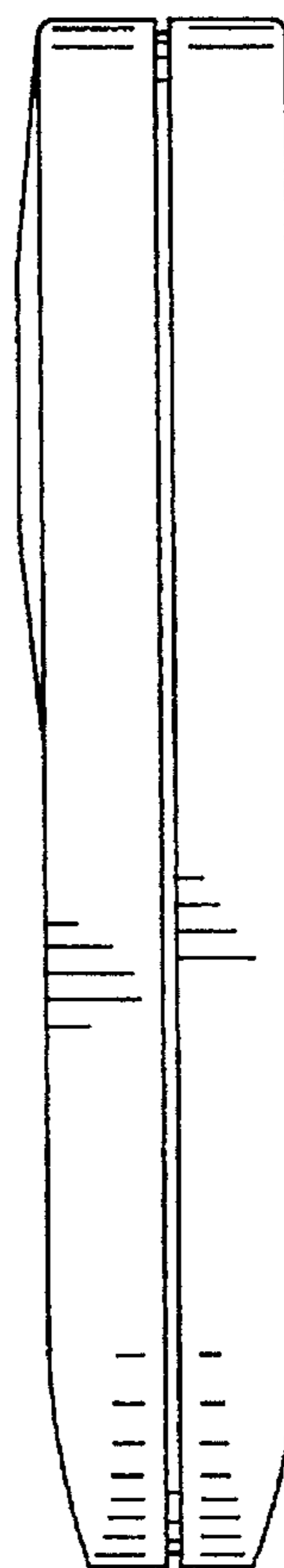


FIG. 4

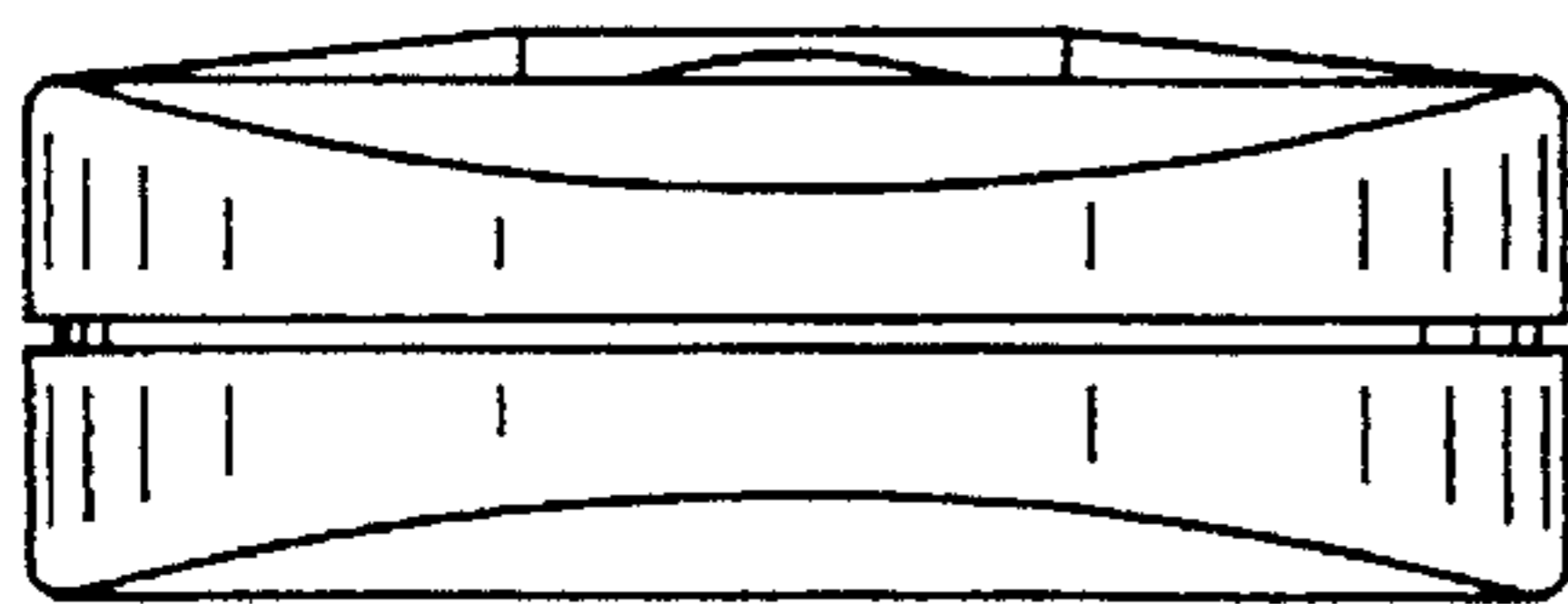


FIG. 5