



US00D373317S

# United States Patent [19]

Feng et al.

[11] Patent Number: **Des. 373,317**

[45] Date of Patent: **\*\*Sep. 3, 1996**

[54] **REMOTE CONTROL TRANSMITTER**

[75] Inventors: **Shun-Tsain Feng; Wei-Kang Kan,**  
both of Taipei Hsien, Taiwan

[73] Assignee: **Multistar Industries Co., Ltd.,** Taipei,  
Taiwan

[\*\*] Term: **14 Years**

[21] Appl. No.: **32,984**

[22] Filed: **Jan. 3, 1995**

[52] U.S. Cl. .... **D10/104**

[58] Field of Search ..... D10/104, 106,  
D10/121; D14/124, 217, 218, 95, 174;  
340/540, 541, 561, 565, 566, 542, 571,  
572, 573, 584

[56] **References Cited**

**U.S. PATENT DOCUMENTS**

D. 333,795 3/1993 Issa ..... D10/106  
D. 340,000 10/1993 Issa ..... D10/106

D. 347,190 5/1994 Issa ..... D10/106  
D. 350,494 9/1994 Hwang ..... D10/106  
D. 351,173 10/1994 Yeh ..... D10/106

*Primary Examiner*—Marcus A. Jackson  
*Attorney, Agent, or Firm*—Merchant, Gould, Smith, Edell,  
Welter & Schmidt, P.A.

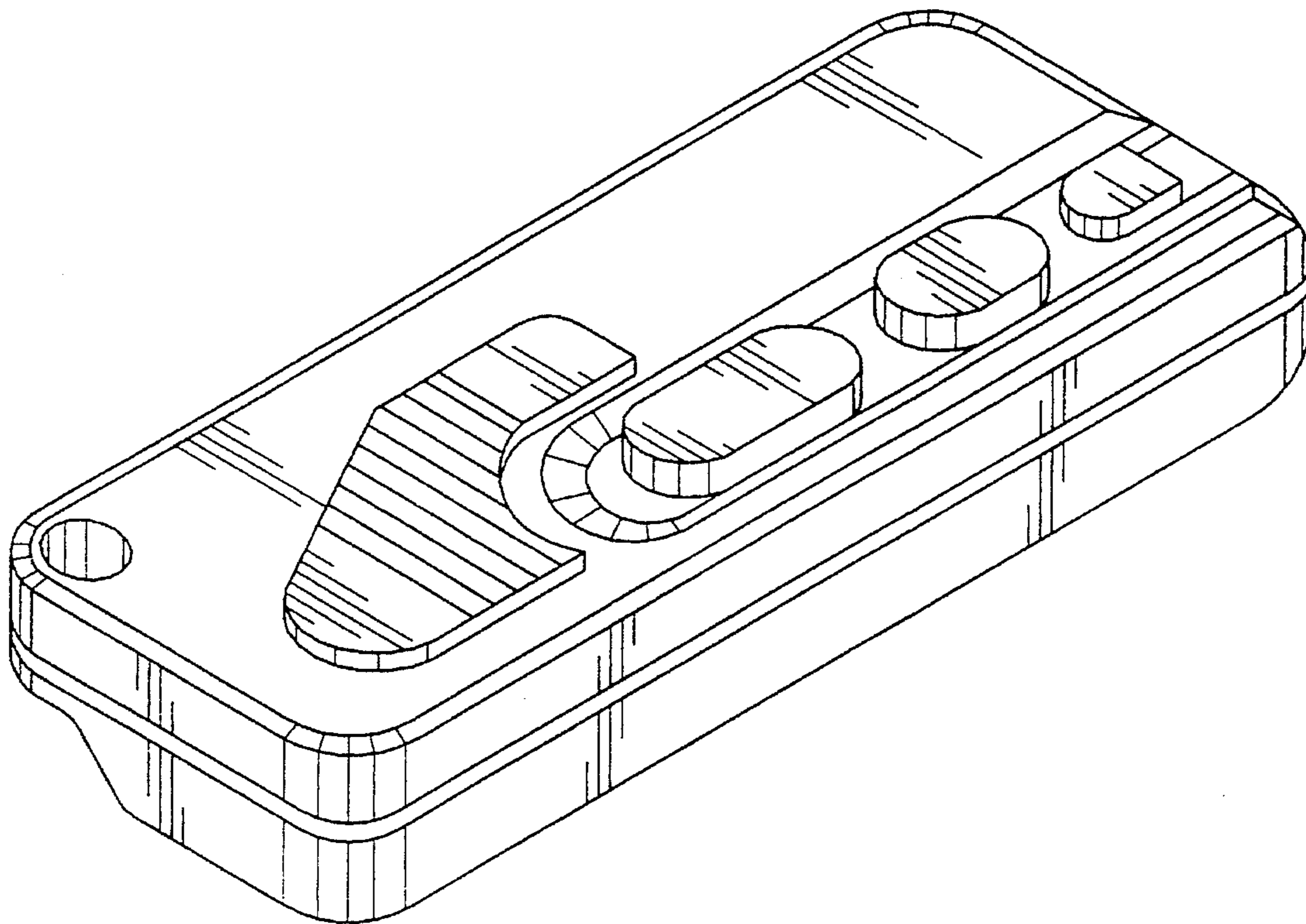
[57] **CLAIM**

The ornamental design for remote control transmitter, as shown and described.

**DESCRIPTION**

FIG. 1 is the perspective view of a design for remote control transmitter showing my design;  
FIG. 2 is the front elevational view thereof;  
FIG. 3 is the rear elevational view thereof;  
FIG. 4 is the left side elevational view thereof;  
FIG. 5 is the right side elevational view thereof;  
FIG. 6 is the top plan view thereof; and,  
FIG. 7 is the bottom plan view thereof.

**1 Claim, 3 Drawing Sheets**



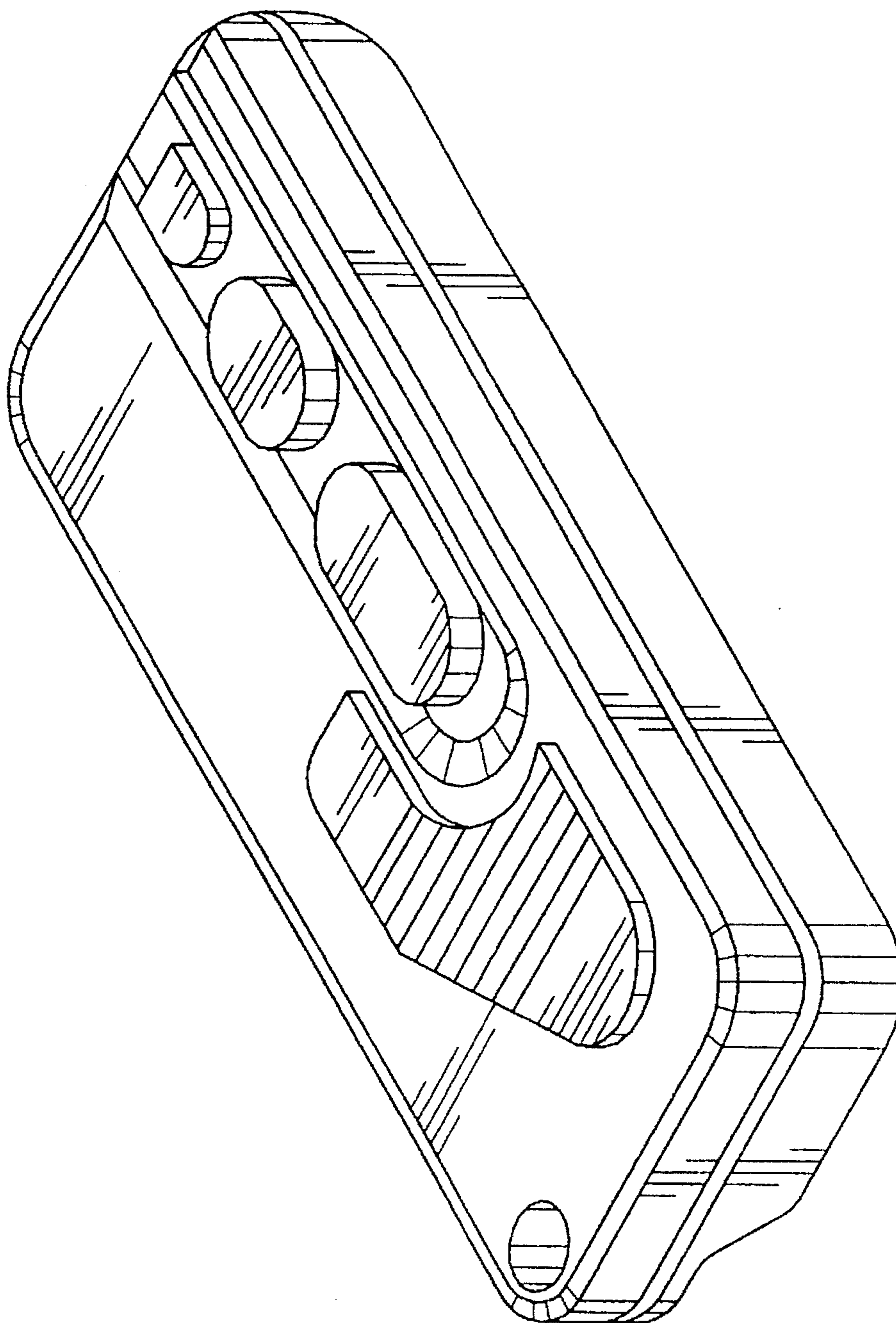


FIG. 1

FIG. 2

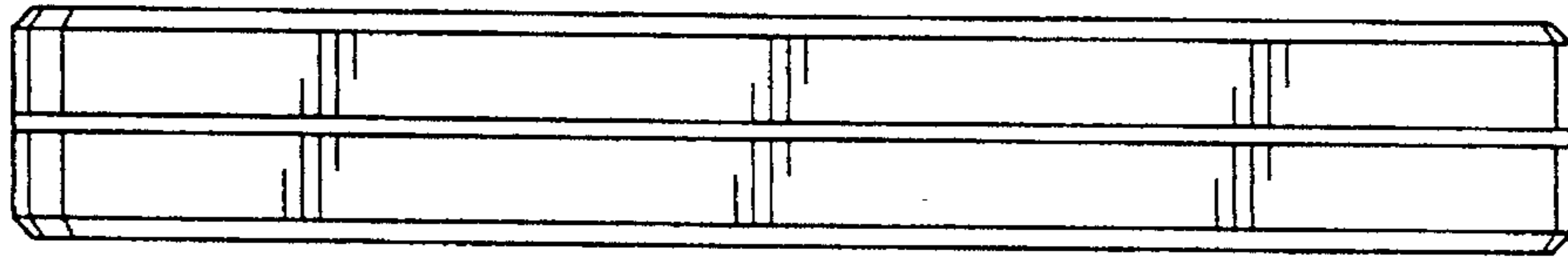


FIG. 3



FIG. 4

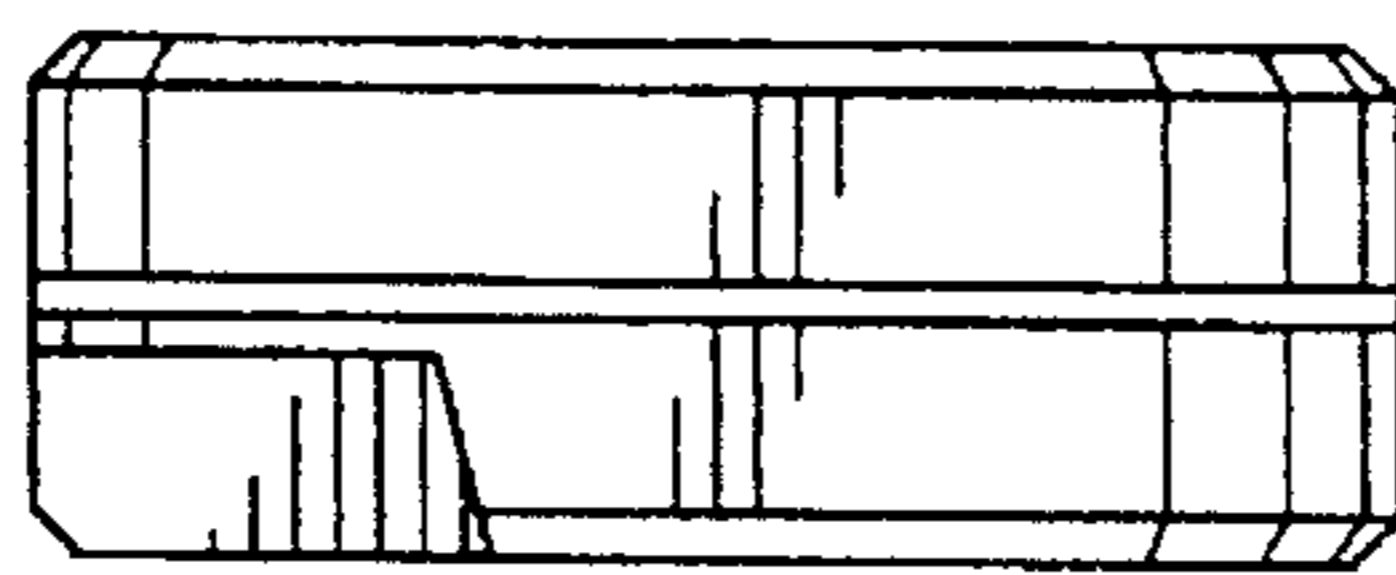


FIG. 5

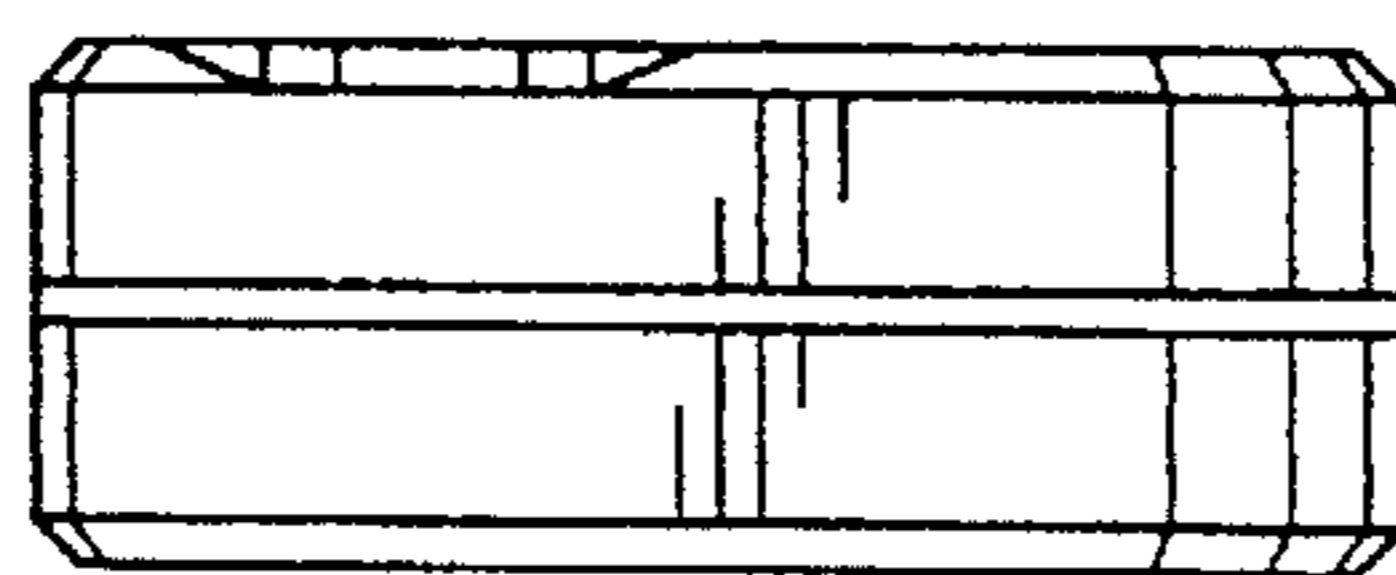


FIG. 6

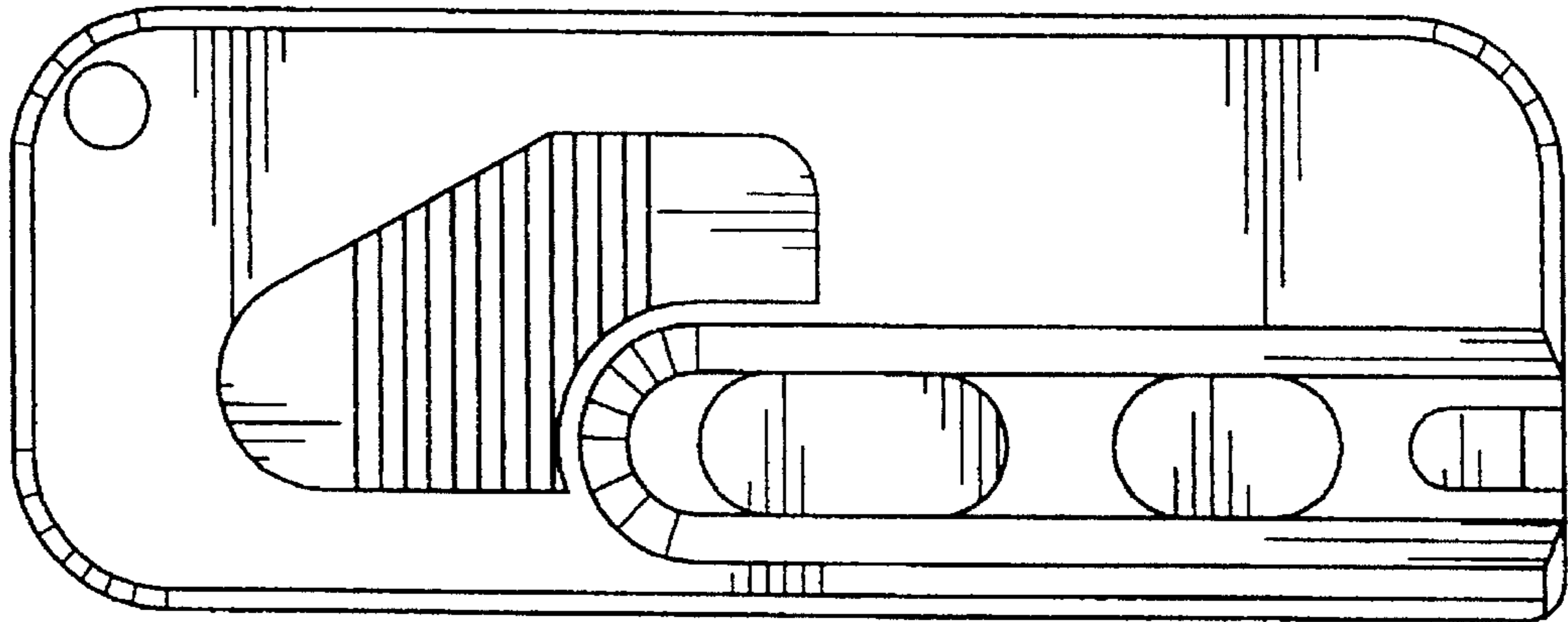


FIG. 7

