



US00D373316S

United States Patent [19]

Walters

[11] Patent Number: **Des. 373,316**

[45] Date of Patent: ****Sep. 3, 1996**

[54] **ELECTRONIC CONTROL MODULE FOR OPERATING A WINDOW**

[75] Inventor: **Philip J. Walters**, Wellington, New Zealand

[73] Assignee: **Interlock Industries Limited**, Wellington, New Zealand

[**] Term: **14 Years**

[21] Appl. No.: **32,436**

[22] Filed: **Dec. 19, 1994**

[30] Foreign Application Priority Data

Jun. 20, 1994 [NZ] New Zealand 25984

[52] U.S. Cl. **D10/104**

[58] Field of Search D10/104, 106, D10/116, 121; 340/539, 541, 545, 546, 547, 550, 561, 562, 565, 566, 567, 568, 571, 572; 116/67 R, 77, 86

[56] References Cited

U.S. PATENT DOCUMENTS

D. 305,508 1/1990 Zothamer D10/106

D. 307,874 5/1990 Mallory D10/106
D. 308,347 6/1990 Bryenton et al. D10/106
D. 323,788 2/1992 Roberts et al. D10/106
D. 343,804 2/1994 Sims D10/106

Primary Examiner—Marcus A. Jackson
Attorney, Agent, or Firm—Blakely, Sokoloff, Taylor & Zafman

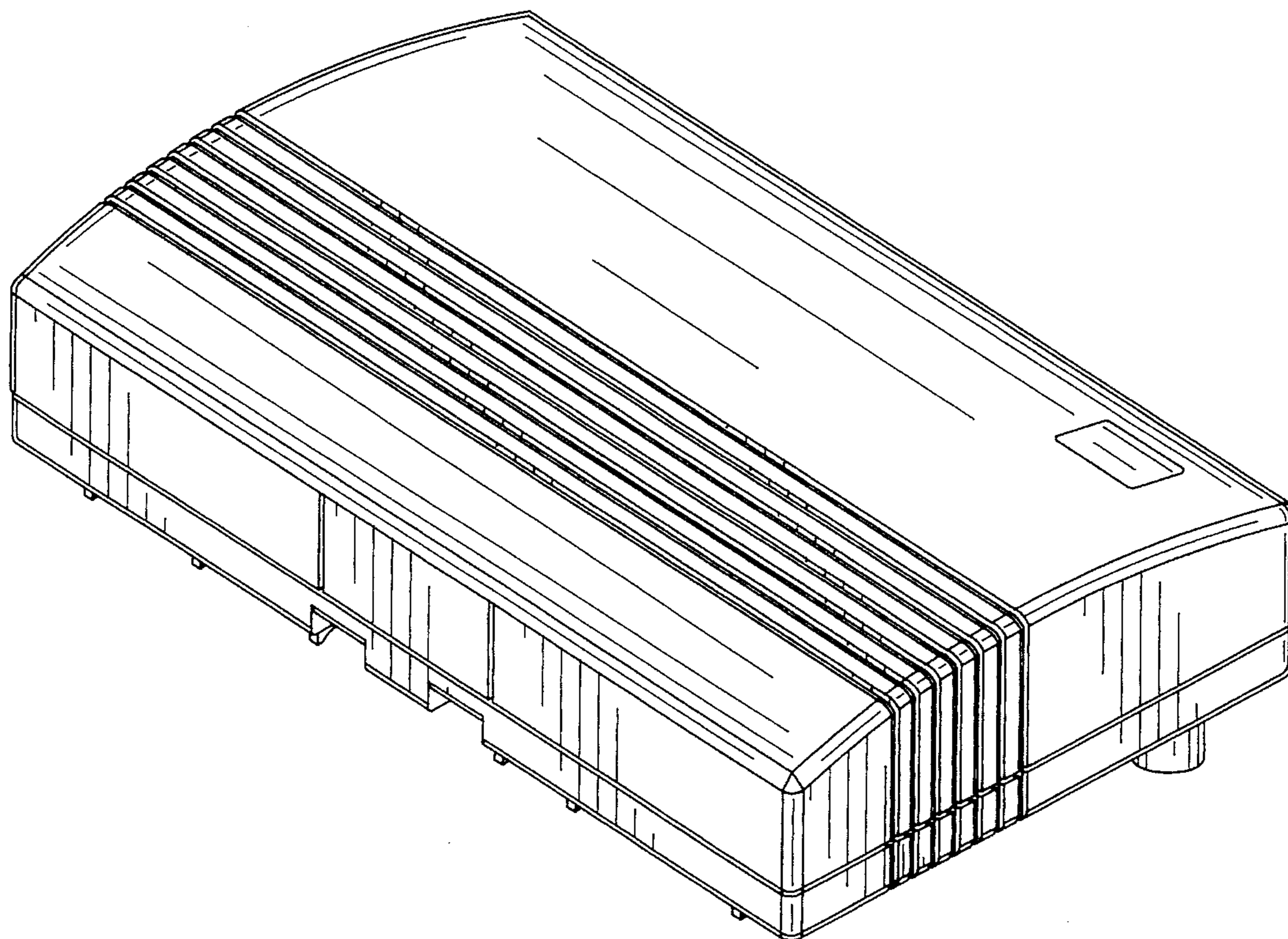
[57] CLAIM

The ornamental design for an electronic control module for operating a window, as shown and described.

DESCRIPTION

FIG. 1 is a top perspective view showing my new design of an electronic control module for operating a window; and, FIG. 2 is an underside perspective view of an electronic control module for operating a window of FIG. 1.

1 Claim, 2 Drawing Sheets



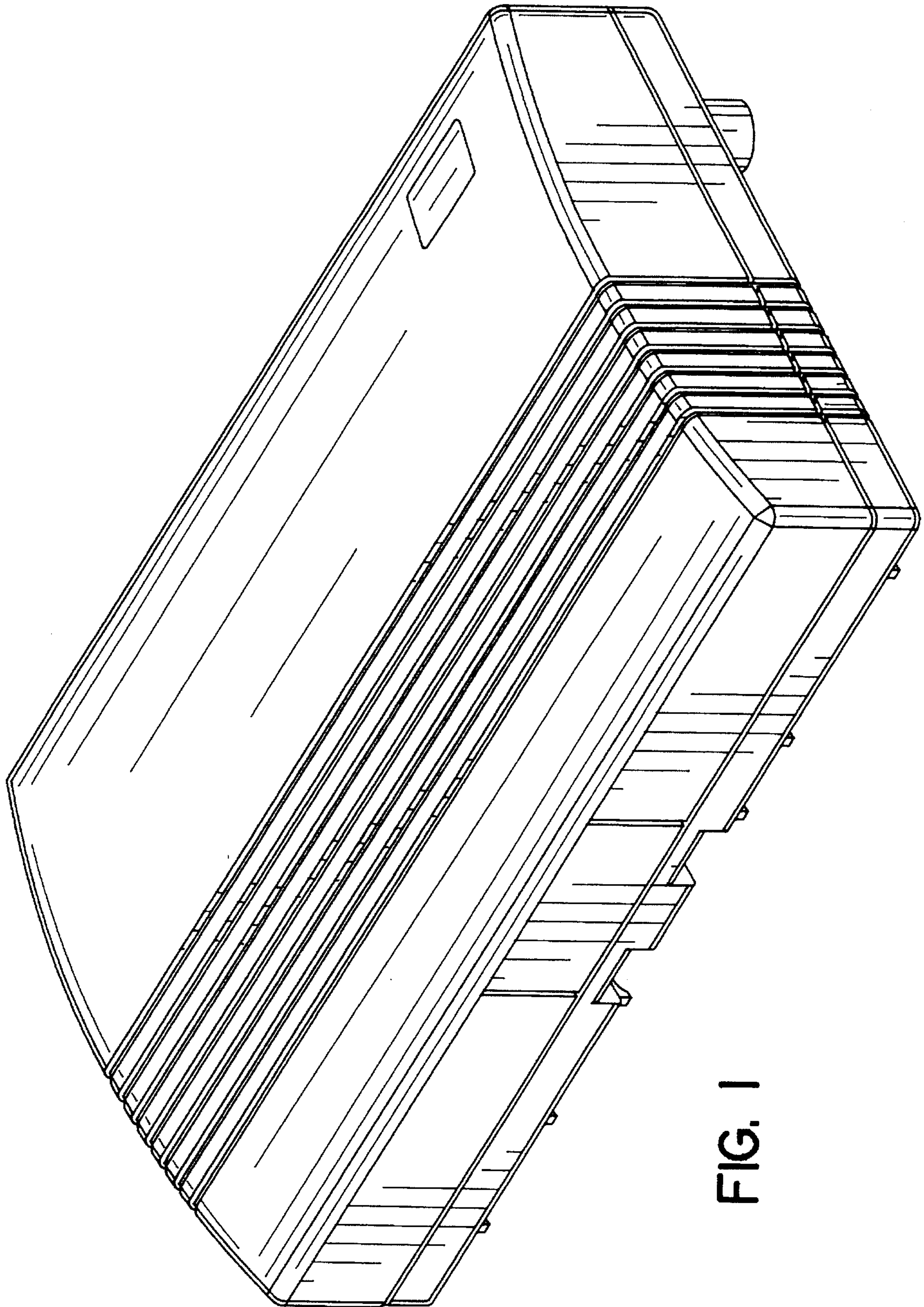


FIG. 1

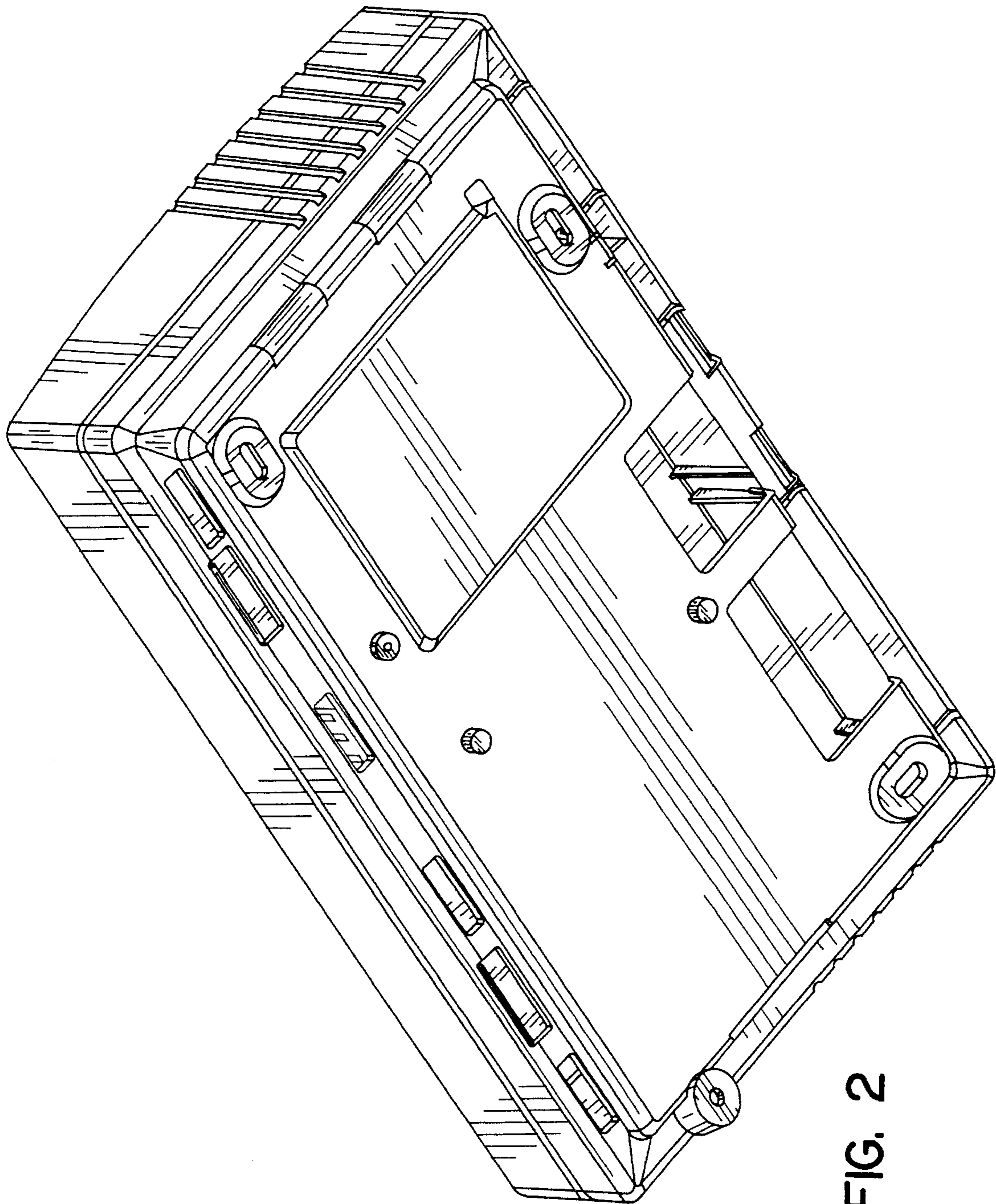


FIG. 2