



US00D373314S

United States Patent [19] Staszak

[11] Patent Number: **Des. 373,314**

[45] Date of Patent: ****Sep. 3, 1996**

[54] **ANIMATED CLOCK**

[76] Inventor: **John J. Staszak**, N9589 Deer La.,
Merrillan, Wis. 54754

[**] Term: **14 Years**

[21] Appl. No.: **40,743**

[22] Filed: **Jun. 26, 1995**

[52] U.S. Cl. **D10/8; D10/12**

[58] Field of Search **D10/6, 8, 12; 368/285,
368/10; D21/129**

[56] **References Cited**

U.S. PATENT DOCUMENTS

- D. 341,173 11/1993 Peersman D10/12 X
- D. 343,126 1/1994 McNeely D10/7
- D. 355,855 2/1995 Dawson D10/12 X
- D. 355,856 2/1995 Dawson D10/12 X

OTHER PUBLICATIONS

Housewares Review—May 1965—p. 13—clock at top.

Primary Examiner—Nelson C. Holtje

Attorney, Agent, or Firm—David L. Baker; Rhodes &
Ascolillo

[57] **CLAIM**

The ornamental design for an animated clock, as shown and described.

DESCRIPTION

FIG. 1 is a right side elevational view of an animated clock showing my new design therefor;

FIG. 2 is a left side elevational view;

FIG. 3 is a front elevational view;

FIG. 4 is a rear elevational view;

FIG. 5 is a top plan view;

FIG. 6 is a bottom plan view;

FIG. 7 is an enlarged partial sectional view;

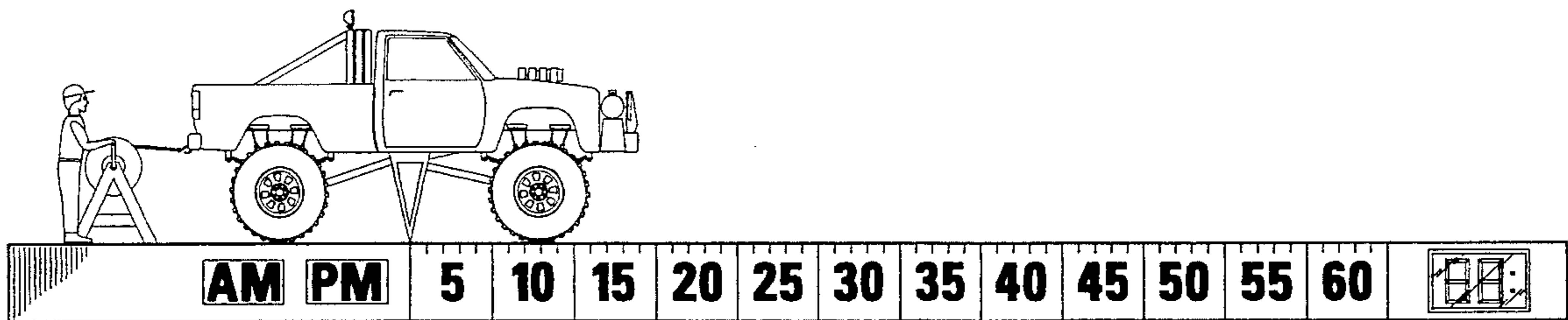
FIG. 8 is an enlarged left side elevational sectional view;

FIG. 9 is an enlarged front elevational view;

FIG. 10 is an enlarged rear elevational view; and,

FIG. 11 is an enlarged partial sectional top plan view.

1 Claim, 4 Drawing Sheets



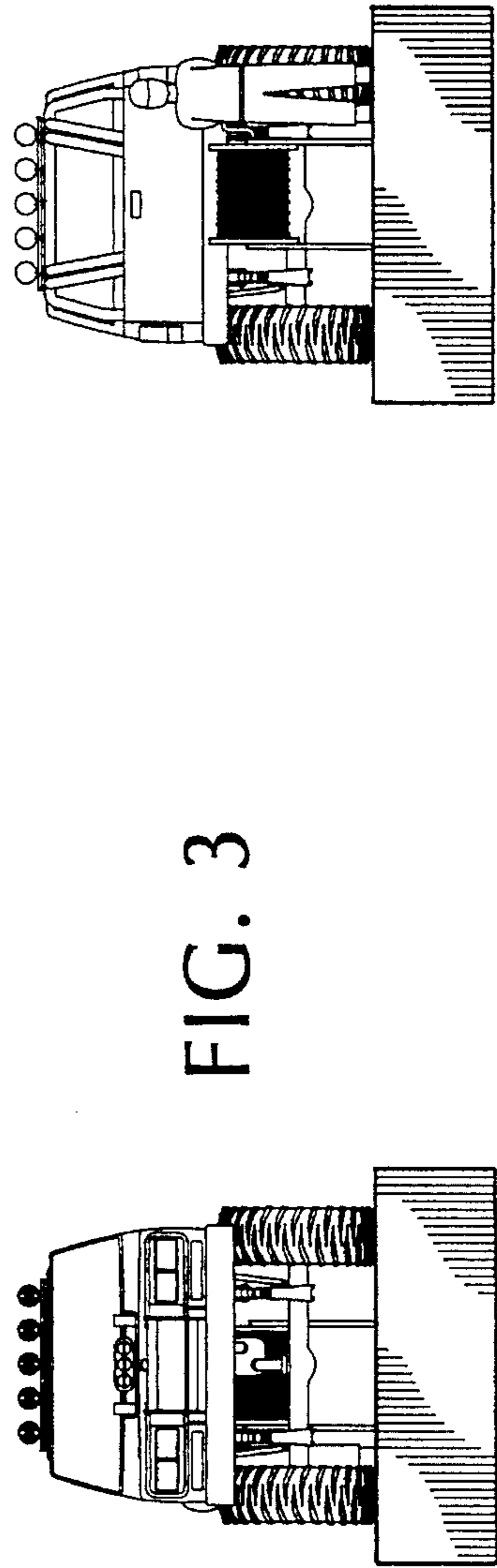
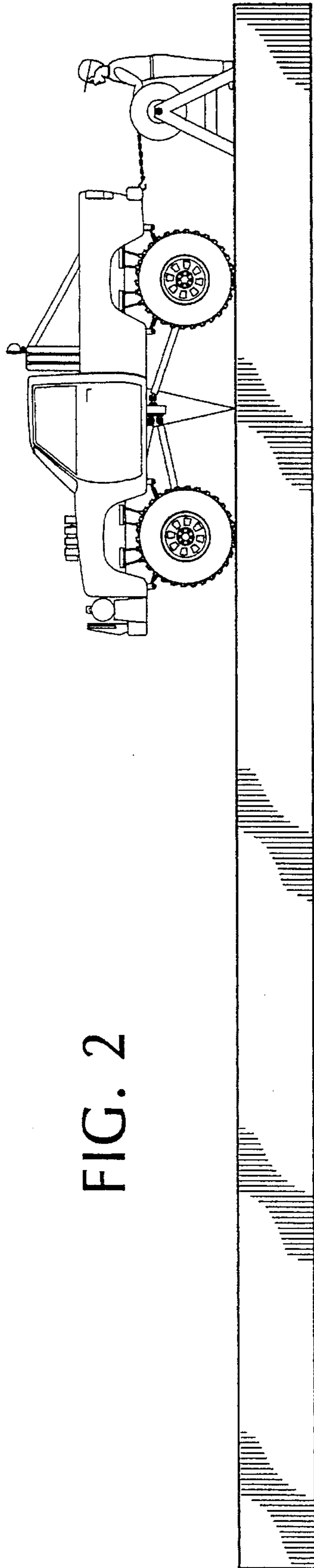
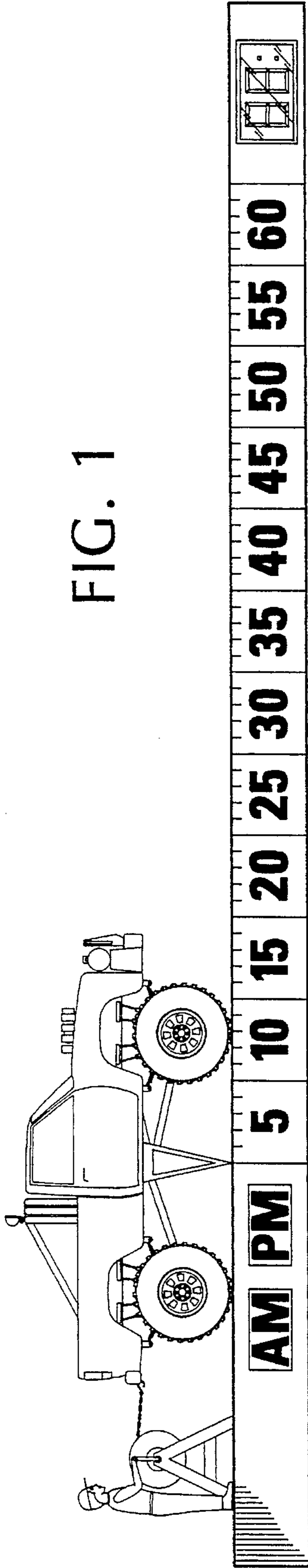


FIG. 5

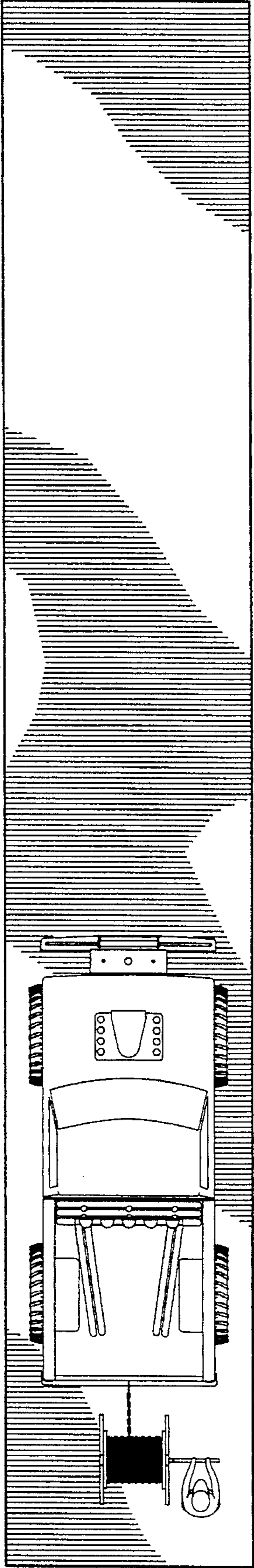


FIG. 6

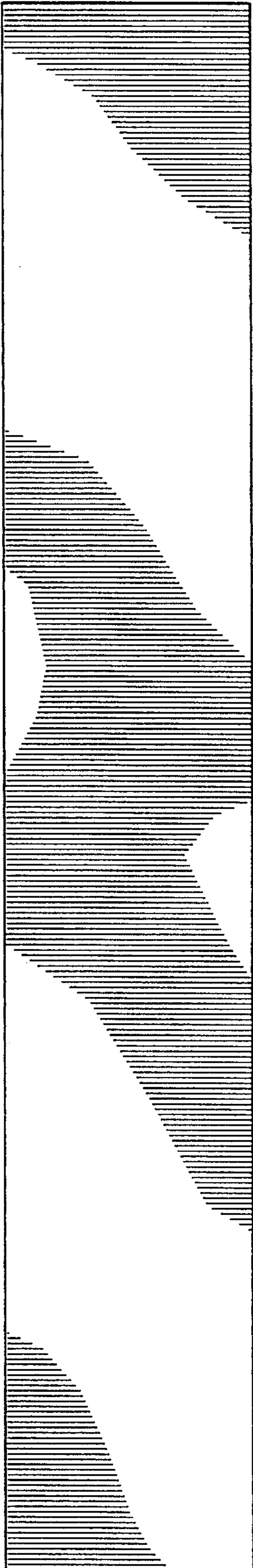


FIG. 7

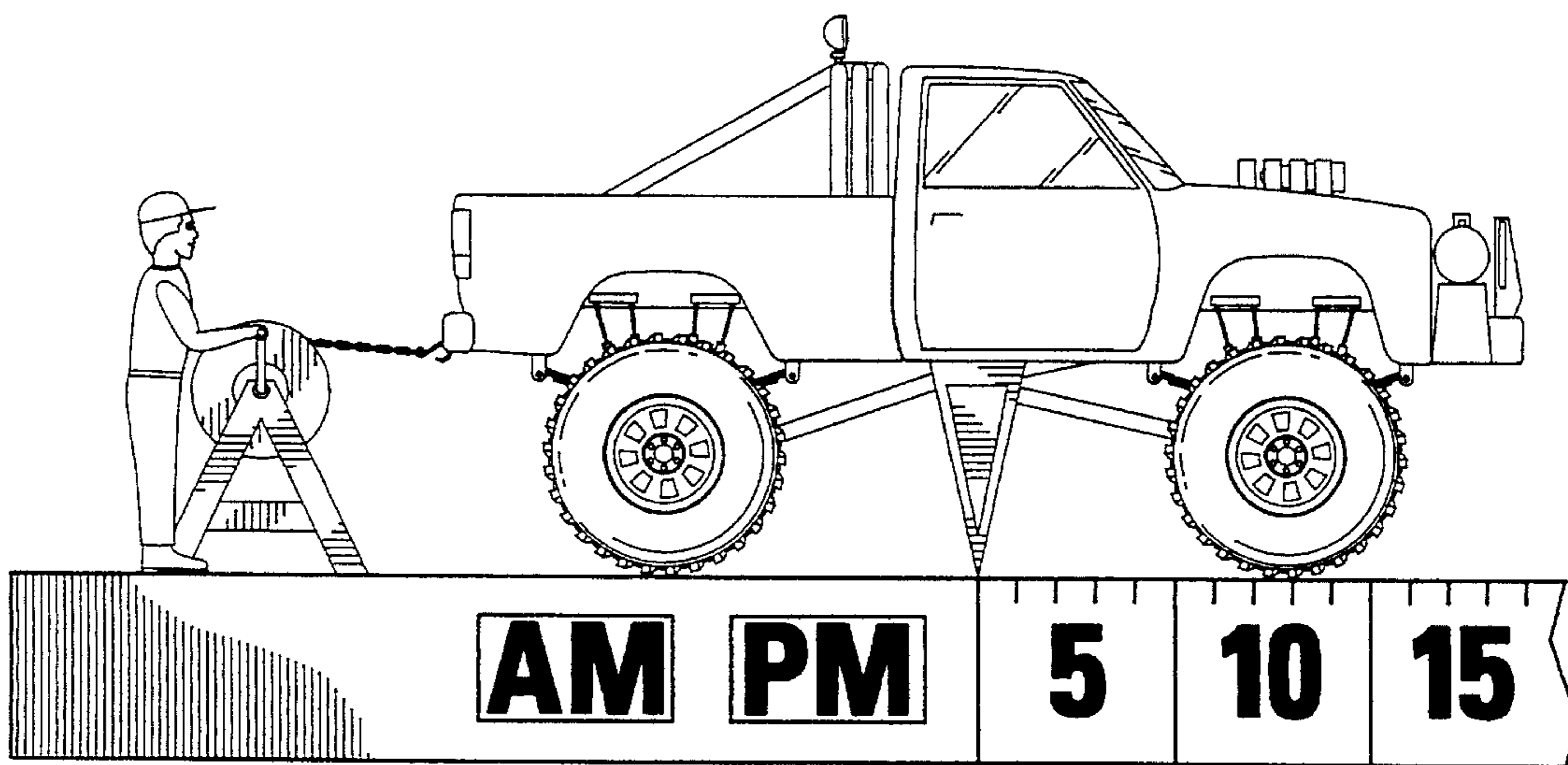


FIG. 8

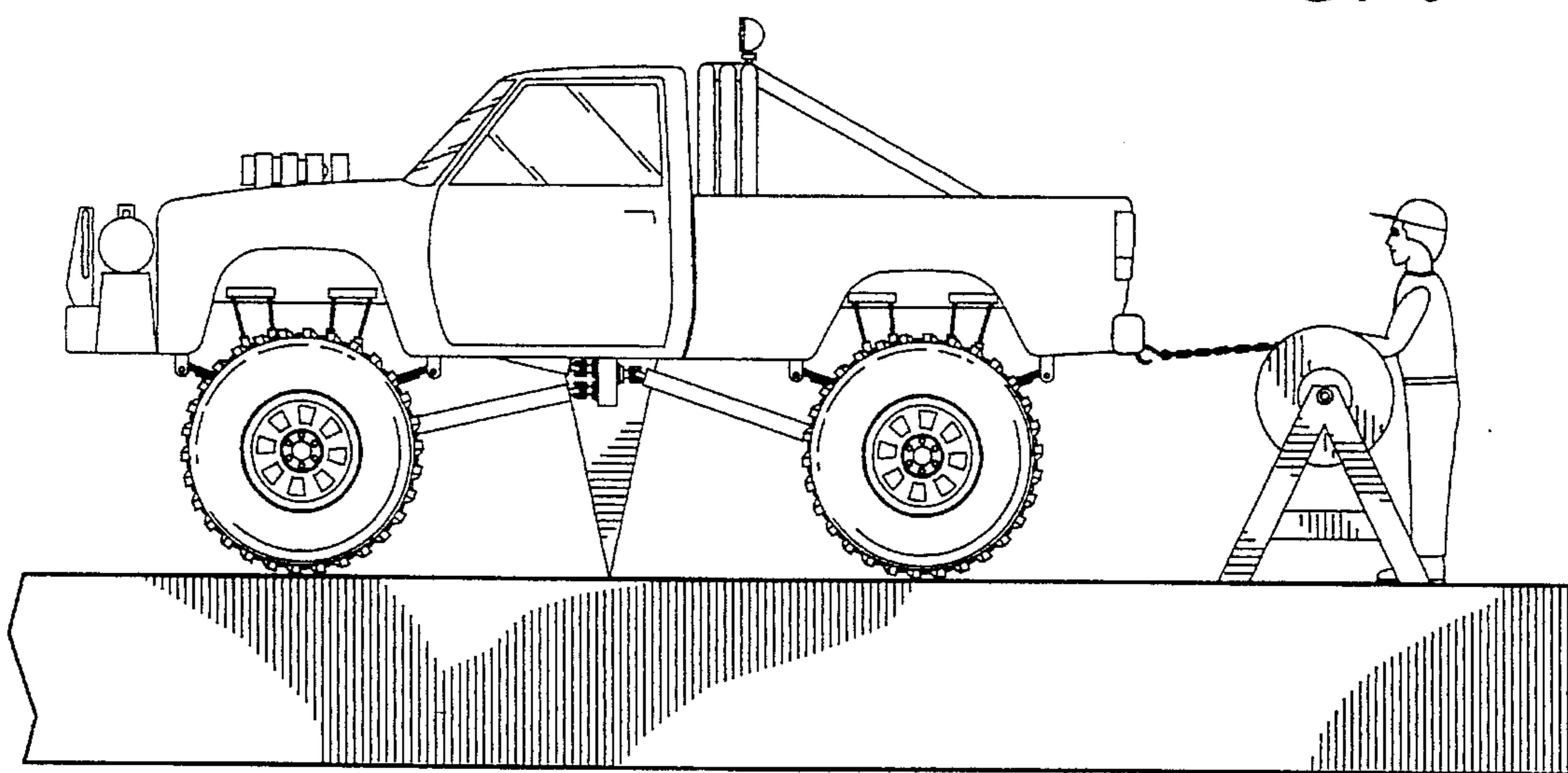


FIG. 9

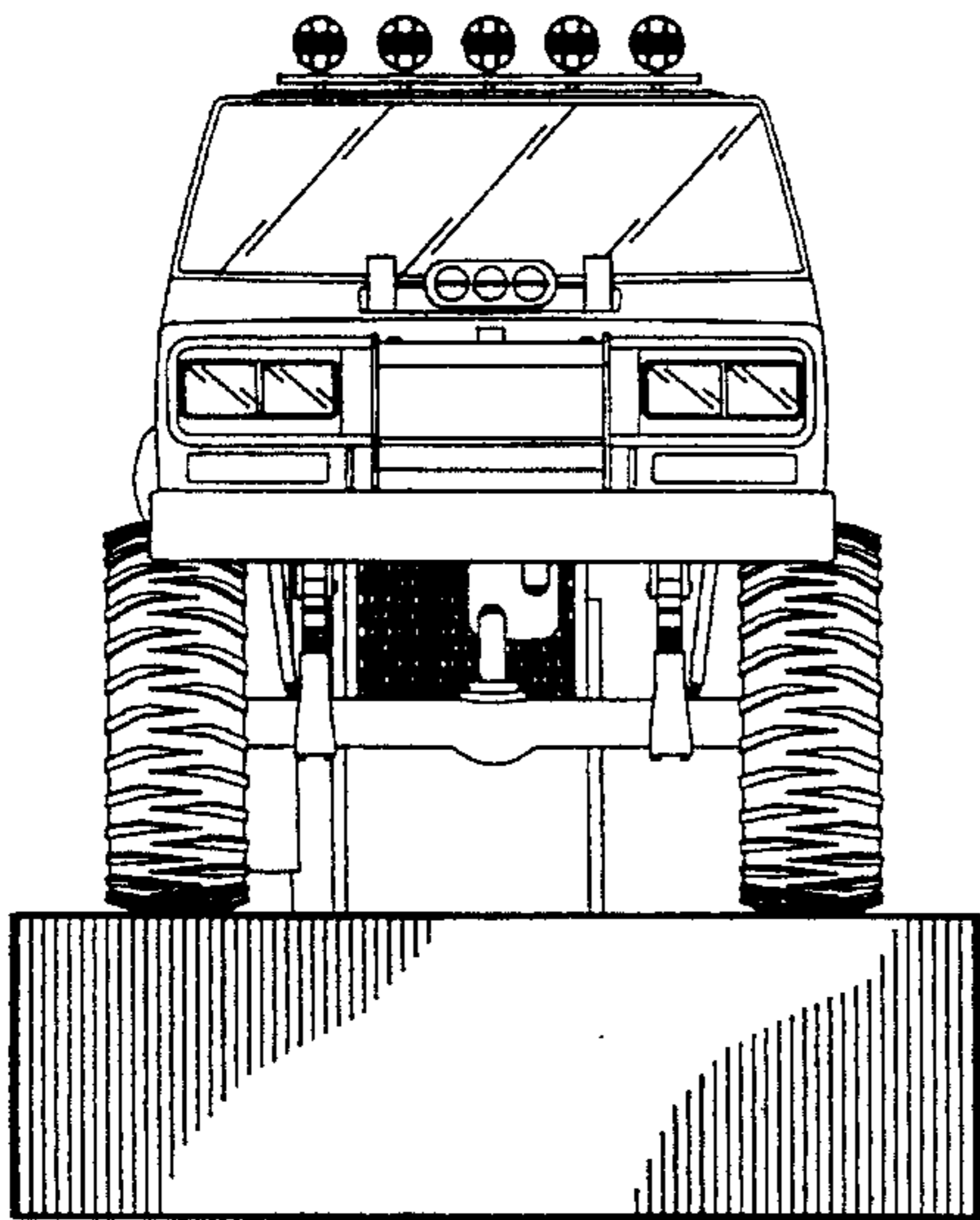


FIG. 10

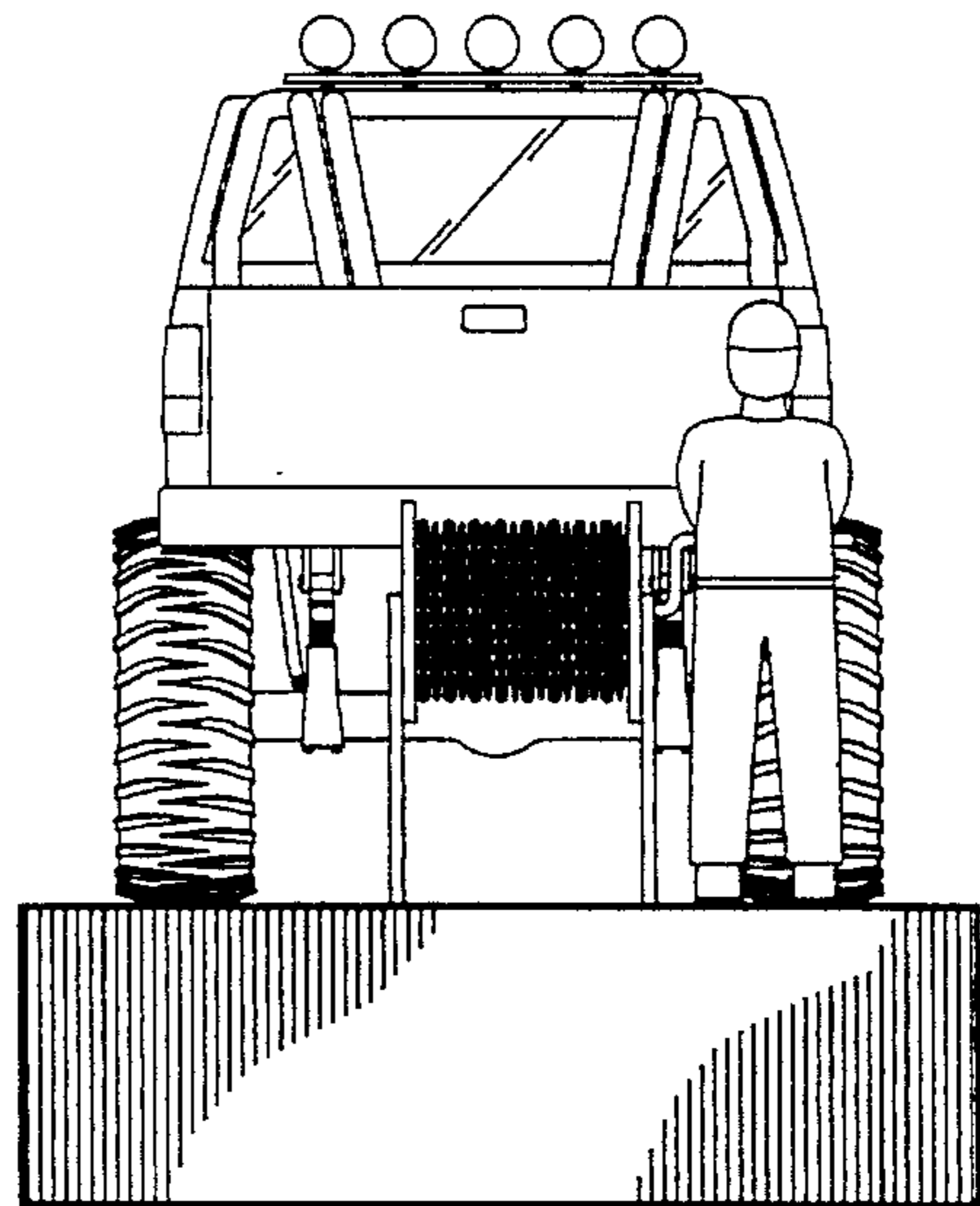


FIG. 11

