



US00D373313S

United States Patent [19]

[11] Patent Number: **Des. 373,313**

Lin

[45] Date of Patent: ****Sep. 3, 1996**

[54] **DISPENSER HEAD**

[76] Inventor: **Jeng-Song Lin**, No. 247-1, Kuang Hsing Rd., Taiping Hsiang, Taichung Hsien, Taiwan

[**] Term: **14 Years**

[21] Appl. No.: **33,157**

[22] Filed: **Jan. 5, 1995**

[52] U.S. Cl. **D9/448; D23/226**

[58] Field of Search D8/68; D9/300, D9/434-6, 448, 499; D23/226; 222/182, 207, 372, 383-4, 391, 496

D. 356,855	3/1995	Gebauer et al.	D23/226
3,120,328	8/1961	Corsette et al. .	
4,830,235	5/1989	Miller .	
5,062,549	11/1991	Smith et al. .	
5,279,450	1/1994	Witt, Jr. .	
5,303,851	4/1994	Libit et al. .	

Primary Examiner—James M. Gandy
Assistant Examiner—Robert M. Spear
Attorney, Agent, or Firm—Kolisch, Hartwell, Dickinson, McCormack & Heuser

[57] CLAIM

The ornamental design for a dispenser head, as shown and described.

DESCRIPTION

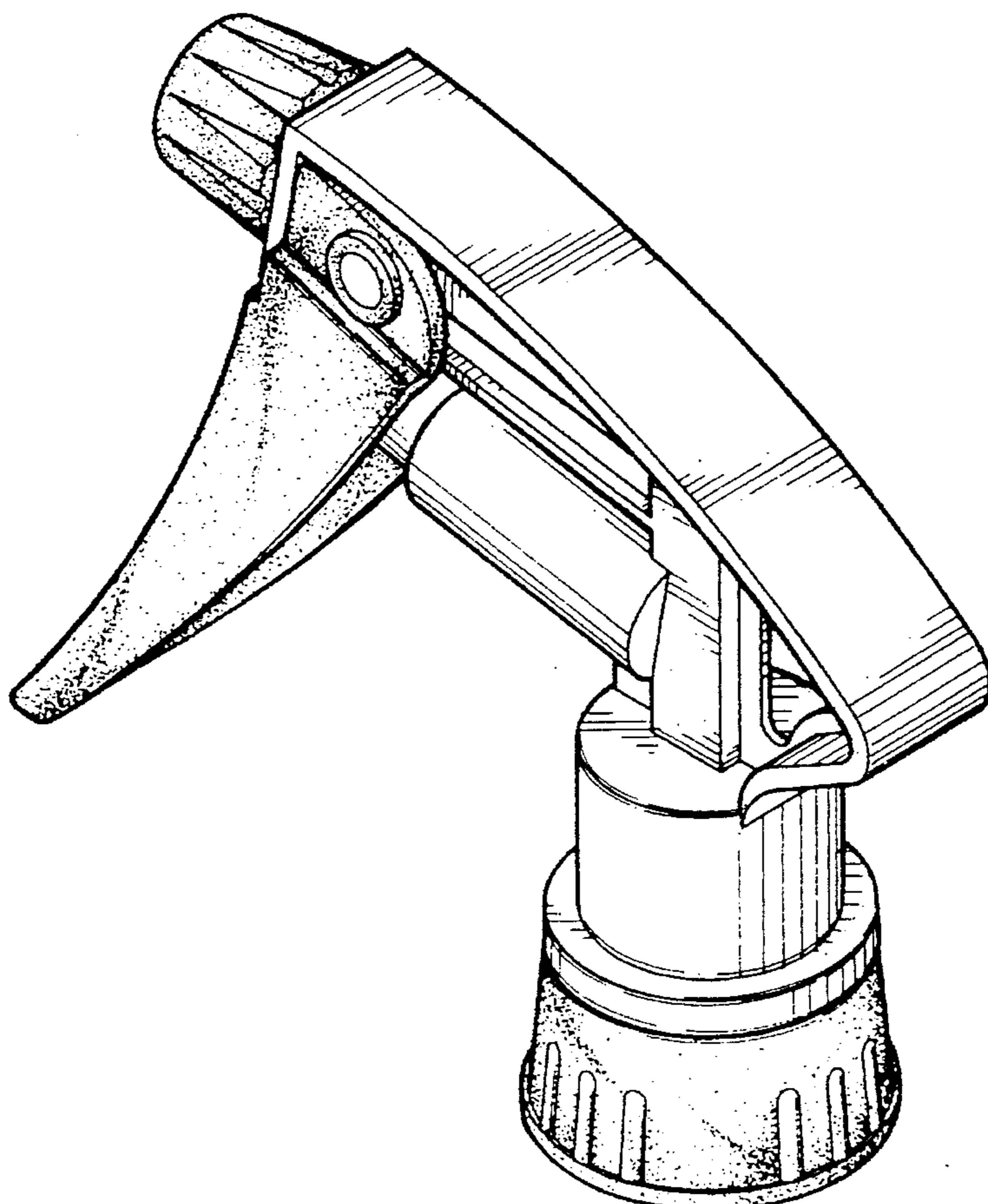
FIG. 1 is a front-right-top perspective view of a dispenser head, showing my new design;
FIG. 2 is a front elevational view thereof;
FIG. 3 is a rear elevational view thereof;
FIG. 4 is a left side elevational view thereof;
FIG. 5 is a right side elevational view thereof; and,
FIG. 6 is a top plan view thereof.
The bottom surfaces of the dispenser head form no part of the claimed design.

References Cited

U.S. PATENT DOCUMENTS

D. 226,712	4/1973	Tada	D23/226
D. 241,543	9/1976	Tada	D23/226
D. 247,302	2/1978	Federico et al. .	
D. 277,978	3/1985	Bundschuh	D9/448
D. 282,526	2/1986	Wilson et al. .	
D. 333,609	3/1993	Beaumont .	
D. 346,547	5/1994	Steijns et al.	D9/448
D. 347,788	6/1994	Steijns et al. .	
D. 351,646	10/1994	Foster et al.	D23/226
D. 353,321	12/1994	Steijns et al. .	

1 Claim, 3 Drawing Sheets



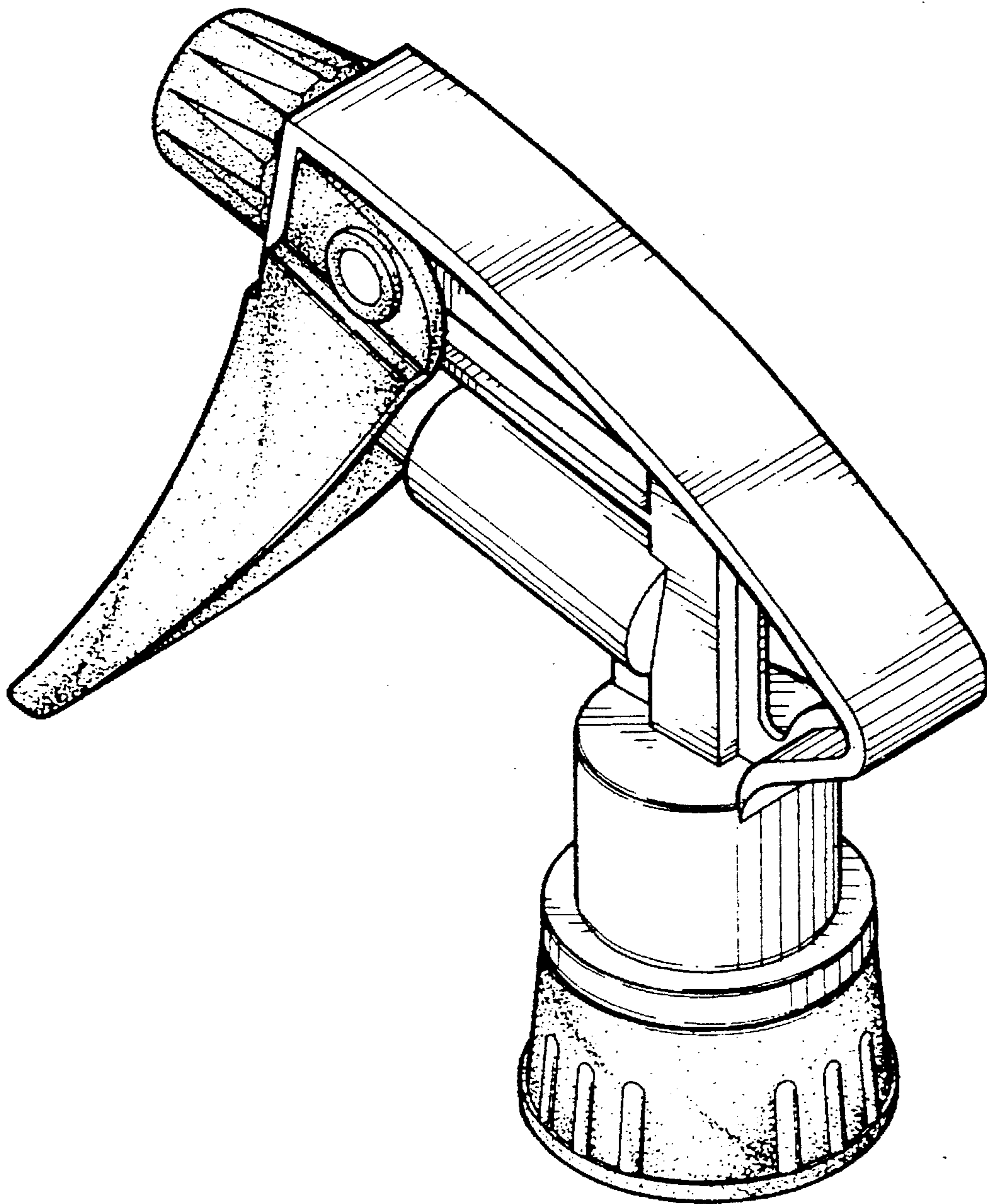


FIG. 1

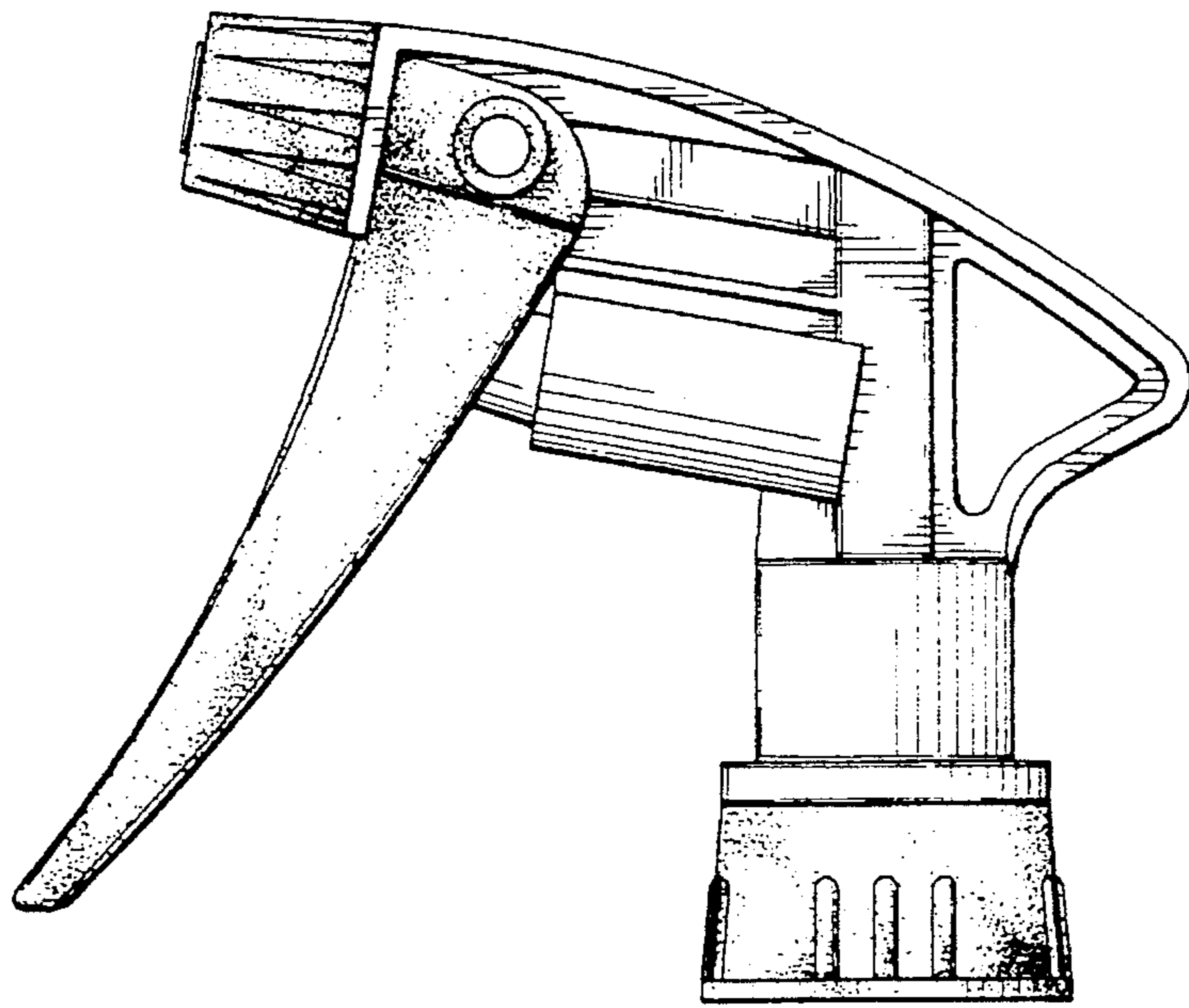


FIG. 2

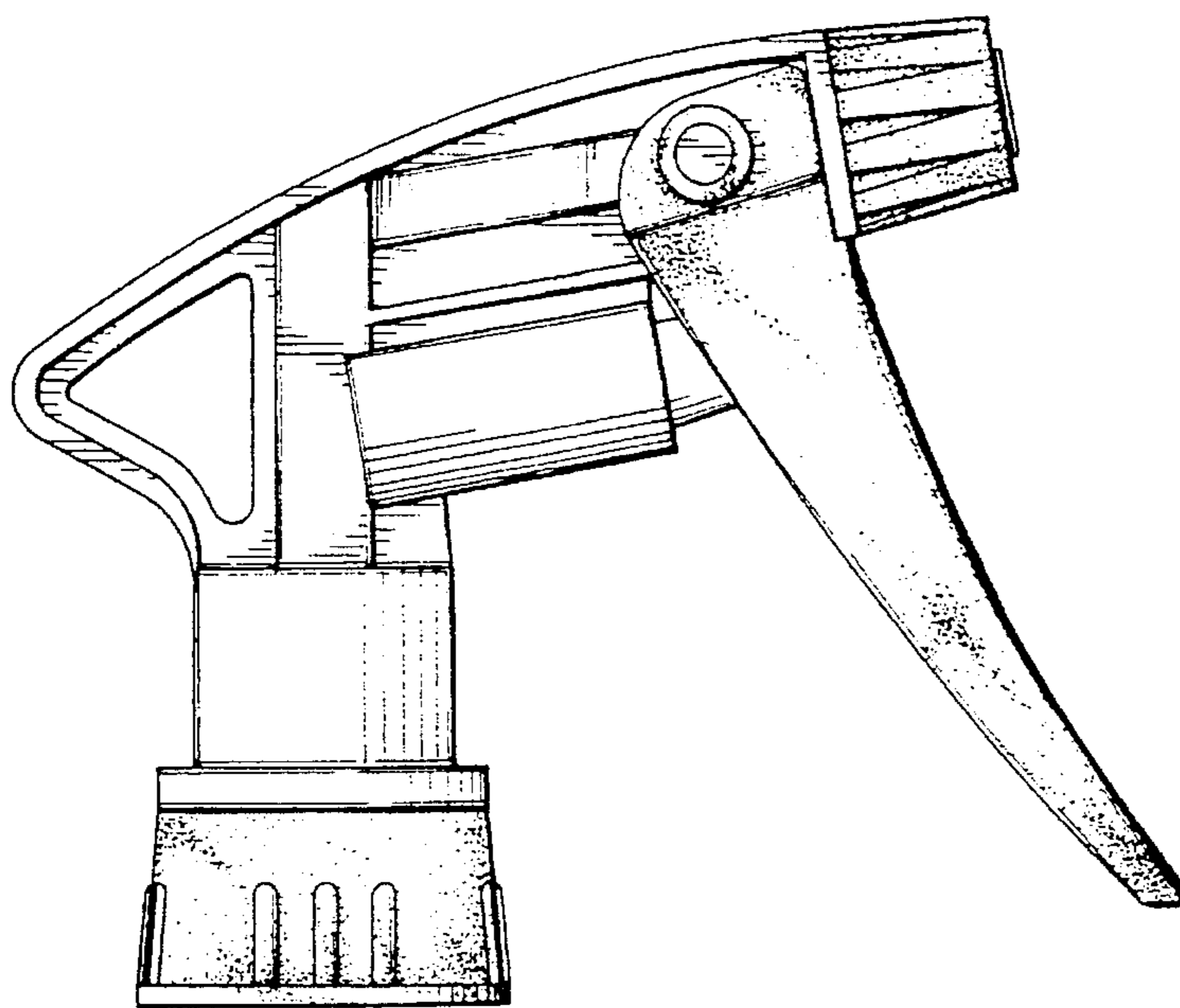


FIG. 3

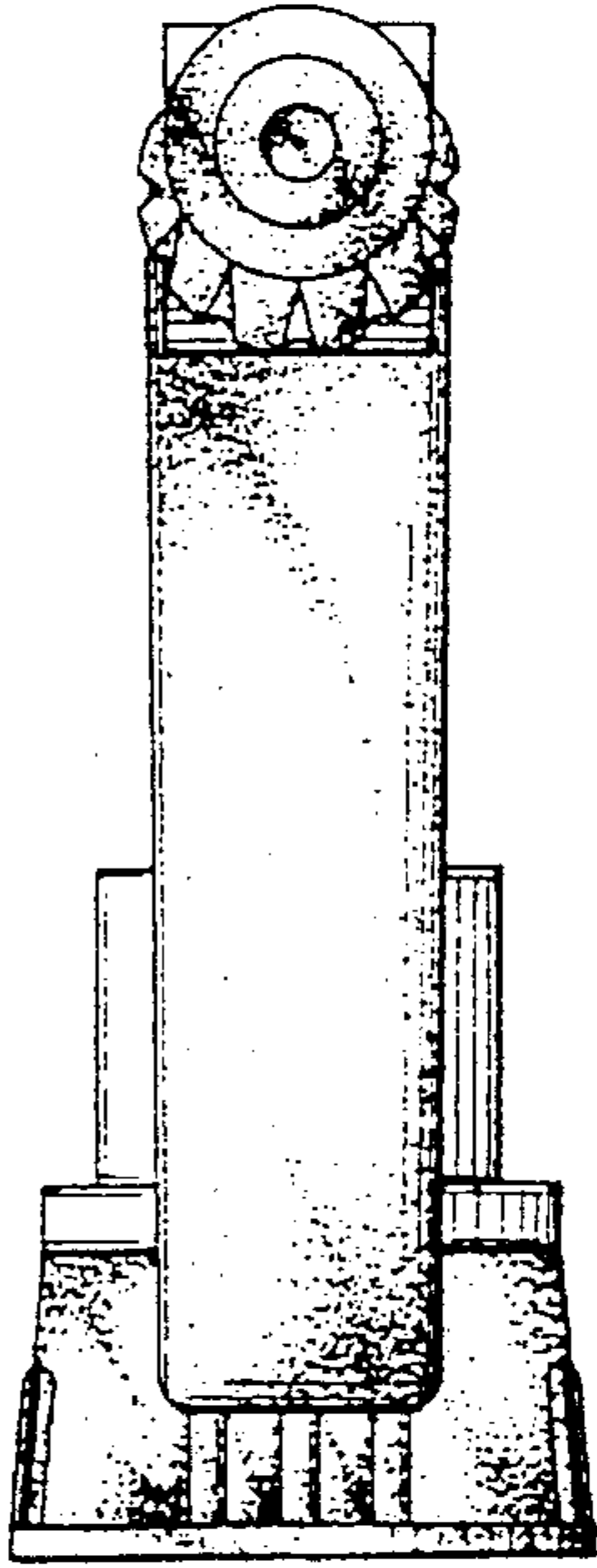


FIG. 4

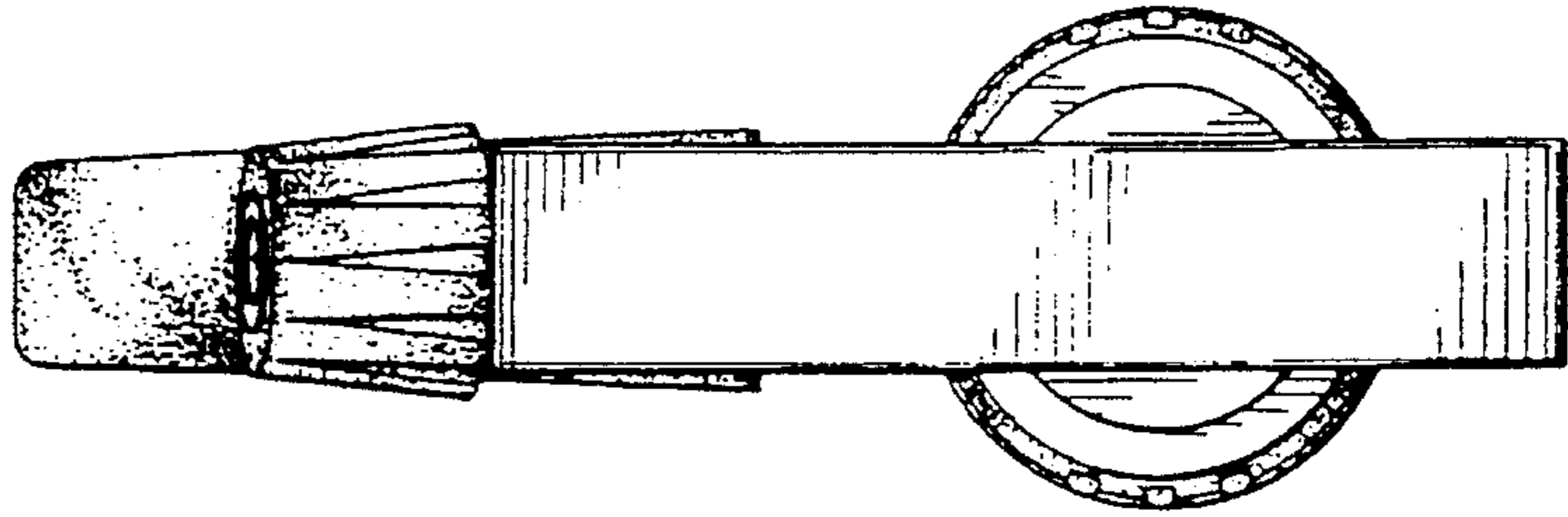


FIG. 6

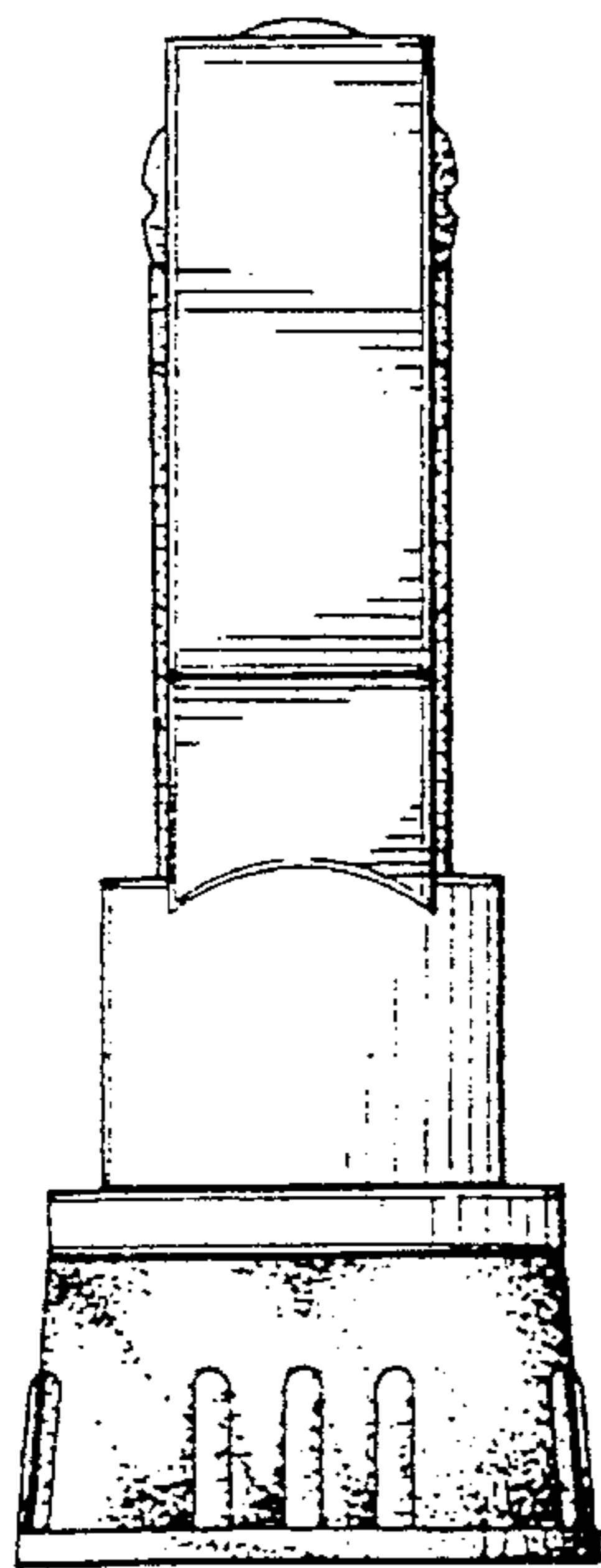


FIG. 5