



US00D373312S

United States Patent [19]

[11] **Patent Number: Des. 373,312**

Lin

[45] **Date of Patent: **Sep. 3, 1996**

[54] **DISPENSER HEAD**

5,062,549 11/1991 Smith et al. .
5,279,450 1/1994 Witt, Jr. .
5,303,851 4/1994 Libit et al. .

[76] Inventor: **Jeng-Song Lin**, No. 247-1, Kuang Hsing Rd., Taiping Hsiang, Taichung Hsien, Taiwan

OTHER PUBLICATIONS

Leftmost trigger sprayer, Afa Corporation advertisement, *Package Engineering Magazine*, Mar. 1983, p. 68.

[**] Term: **14 Years**

Primary Examiner—B. J. Bullock
Assistant Examiner—Robert M. Spear
Attorney, Agent, or Firm—Kolisich, Hartwell, Dickinson, McCormack & Heuser

[21] Appl. No.: **33,124**

[22] Filed: **Jan. 5, 1995**

[52] U.S. Cl. **D23/226**; D23/226

[58] Field of Search D8/68; D9/300,
D9/434-6, 448, 499; D23/226; 222/182,
207, 372, 383-4, 391, 496

[57] **CLAIM**

The ornamental design for a dispenser head, as shown and described.

[56] **References Cited**

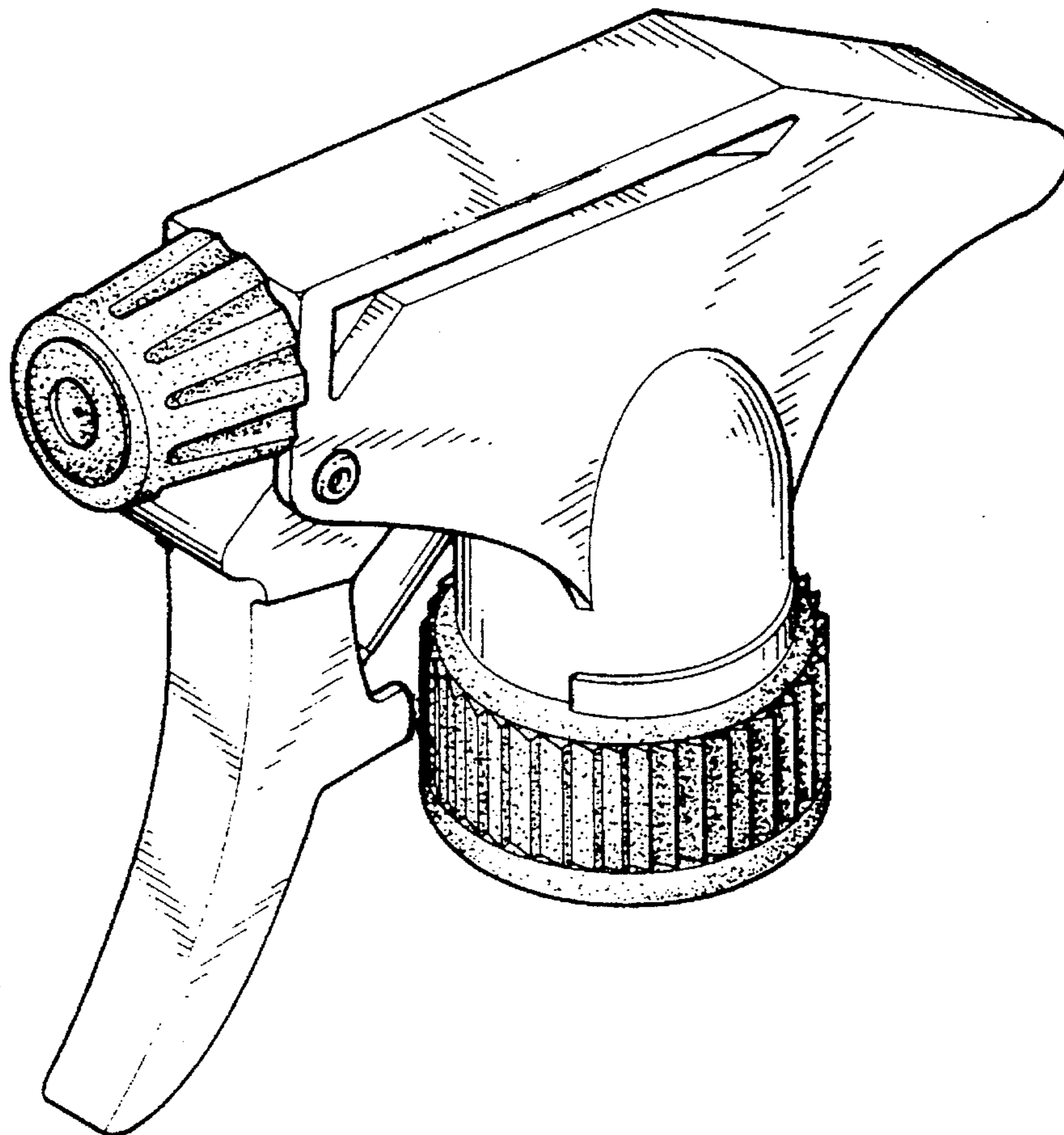
U.S. PATENT DOCUMENTS

D. 199,098	9/1964	Tyler	D23/226
D. 247,302	2/1978	Federico et al. .	
D. 282,526	2/1986	Wilson et al. .	
D. 285,713	9/1986	Garneau	D23/226
D. 293,707	1/1988	Tada	D23/226
D. 333,609	3/1993	Beaumont .	
D. 347,788	6/1994	Steijns et al. .	
D. 353,321	12/1994	Steijns et al. .	
3,120,328	8/1961	Corsette et al. .	
4,361,256	11/1982	Corsette	222/383
4,830,235	5/1989	Miller .	

DESCRIPTION

FIG. 1 is a front-right-top perspective view of a dispenser head, showing my new design;
FIG. 2 is a front elevational view thereof;
FIG. 3 is a rear elevational view thereof;
FIG. 4 is a left side elevational view thereof;
FIG. 5 is a right side elevational view thereof; and,
FIG. 6 is a top plan view thereof.
The bottom surfaces of the dispenser head form no part of the claimed design.

1 Claim, 3 Drawing Sheets



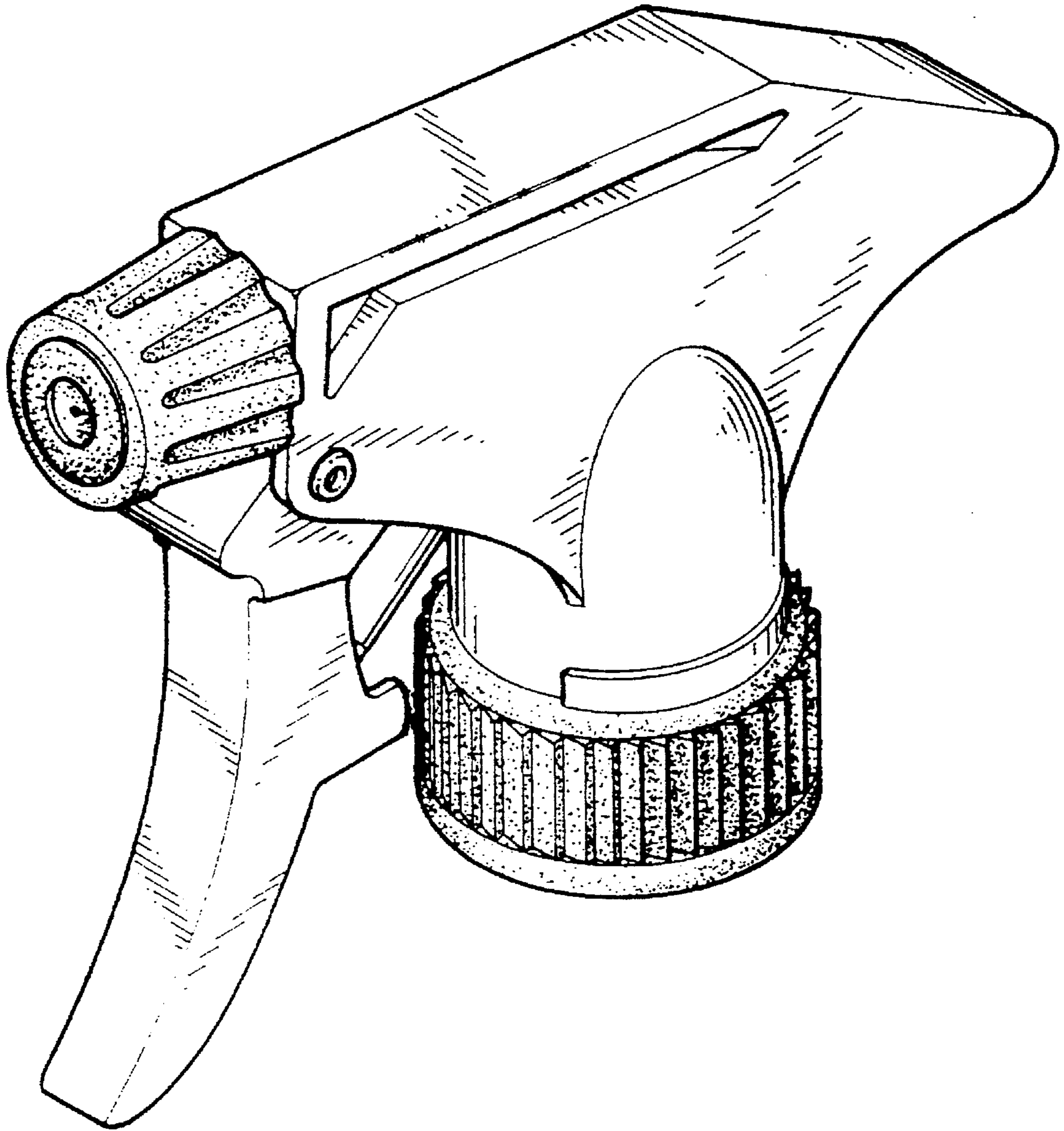


FIG. 1

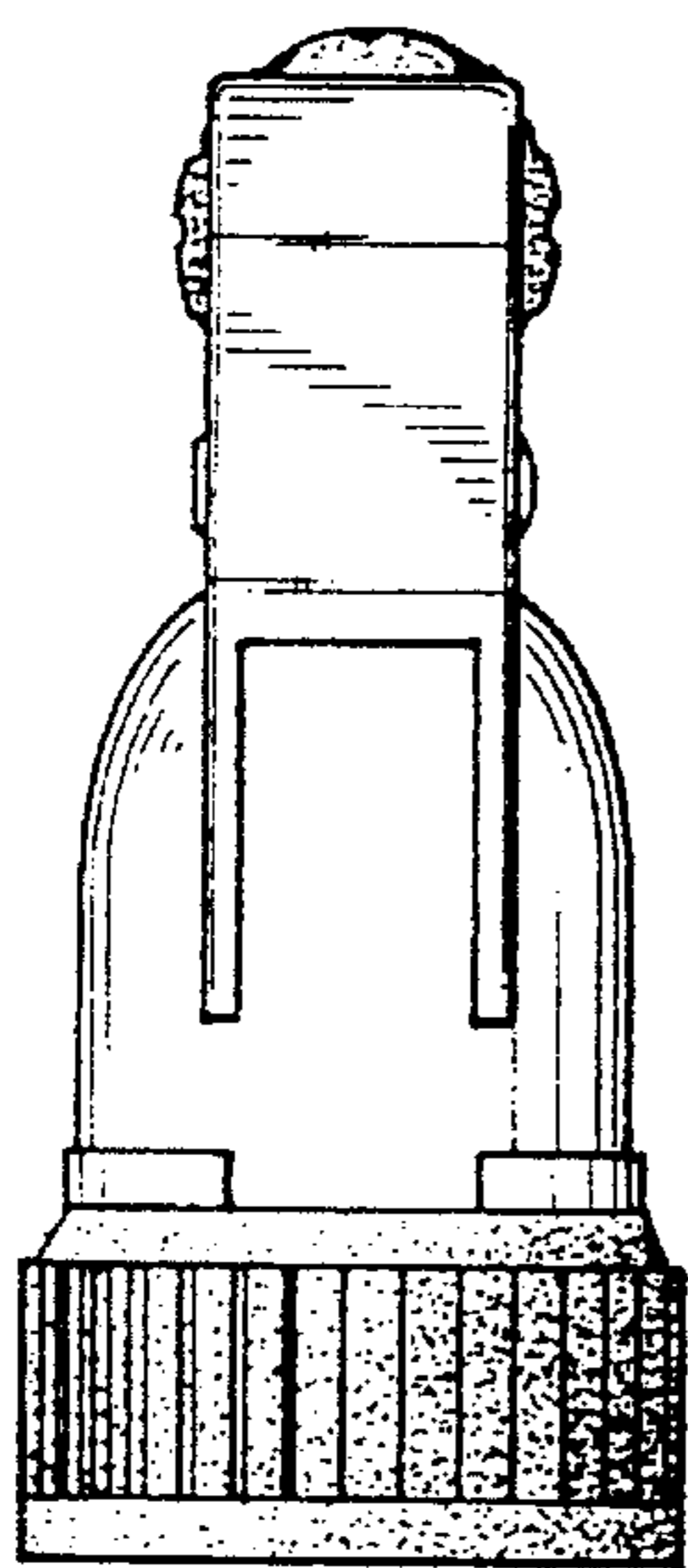


FIG. 4

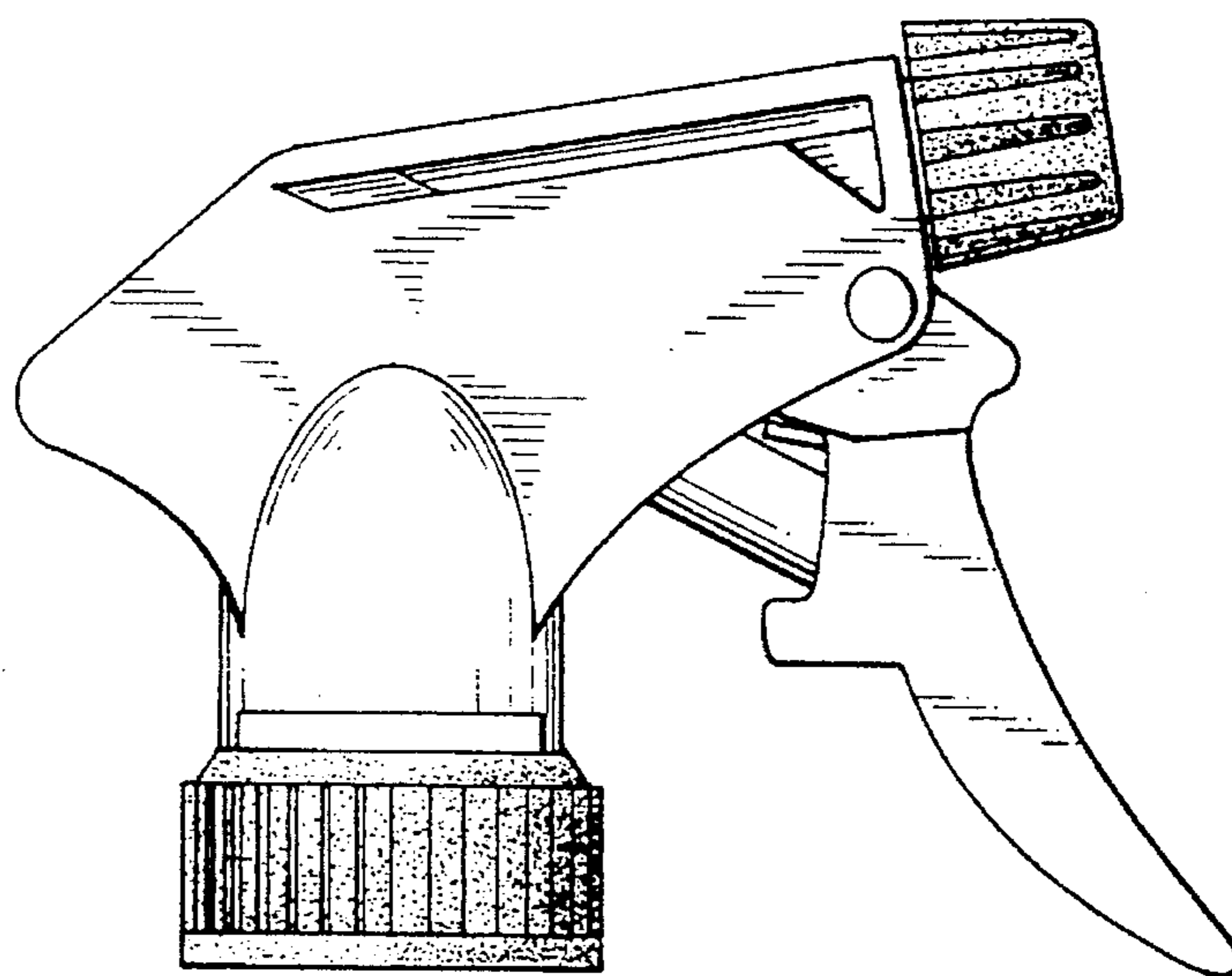


FIG. 3

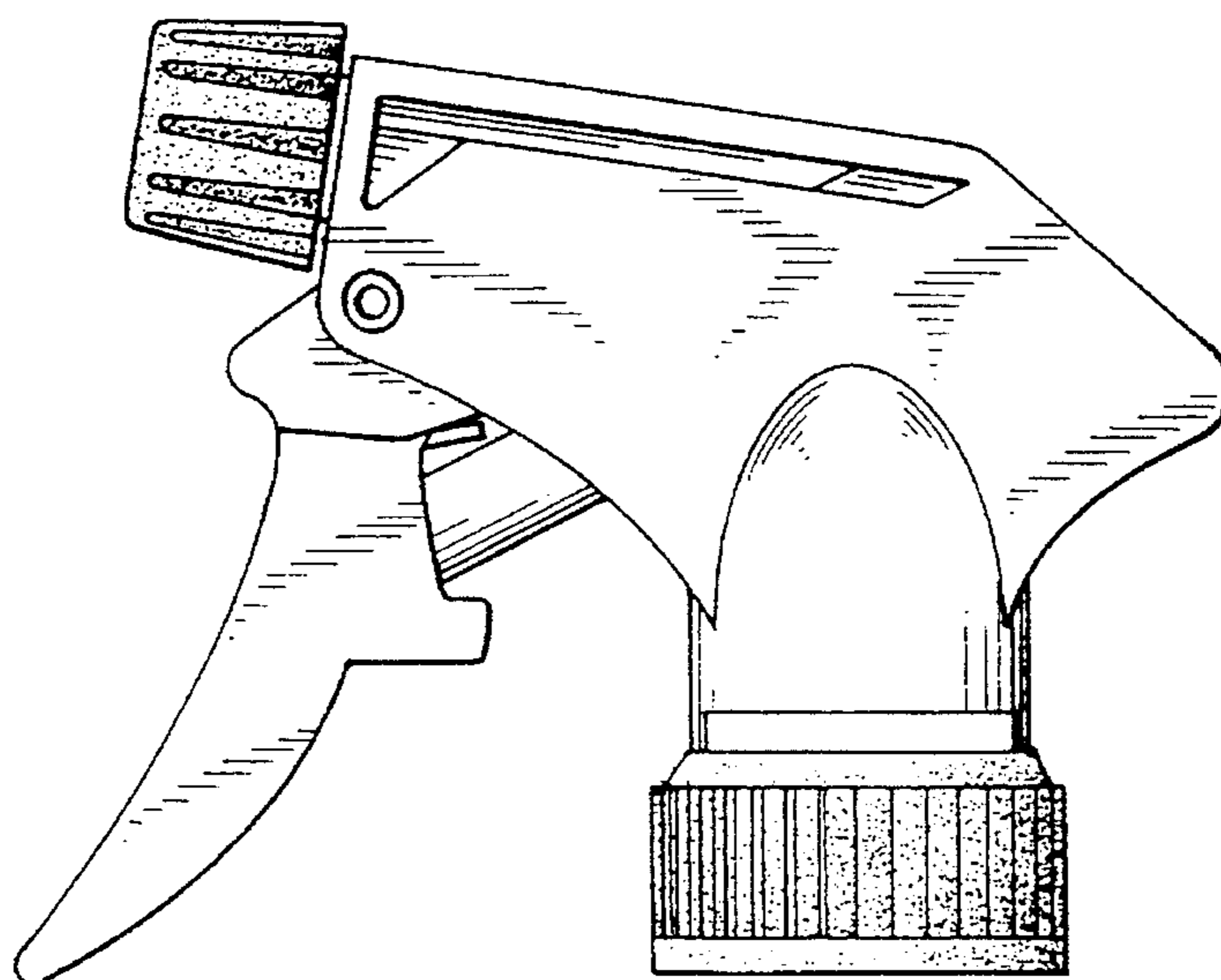


FIG. 2

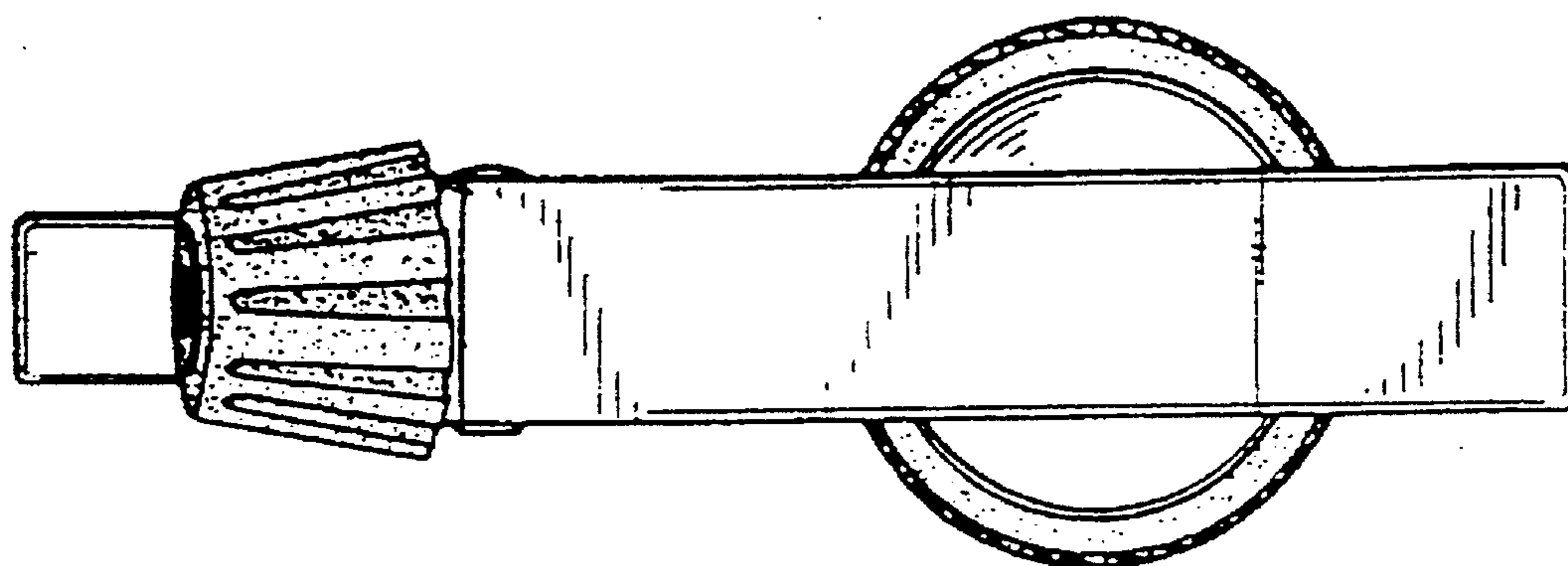


FIG. 6

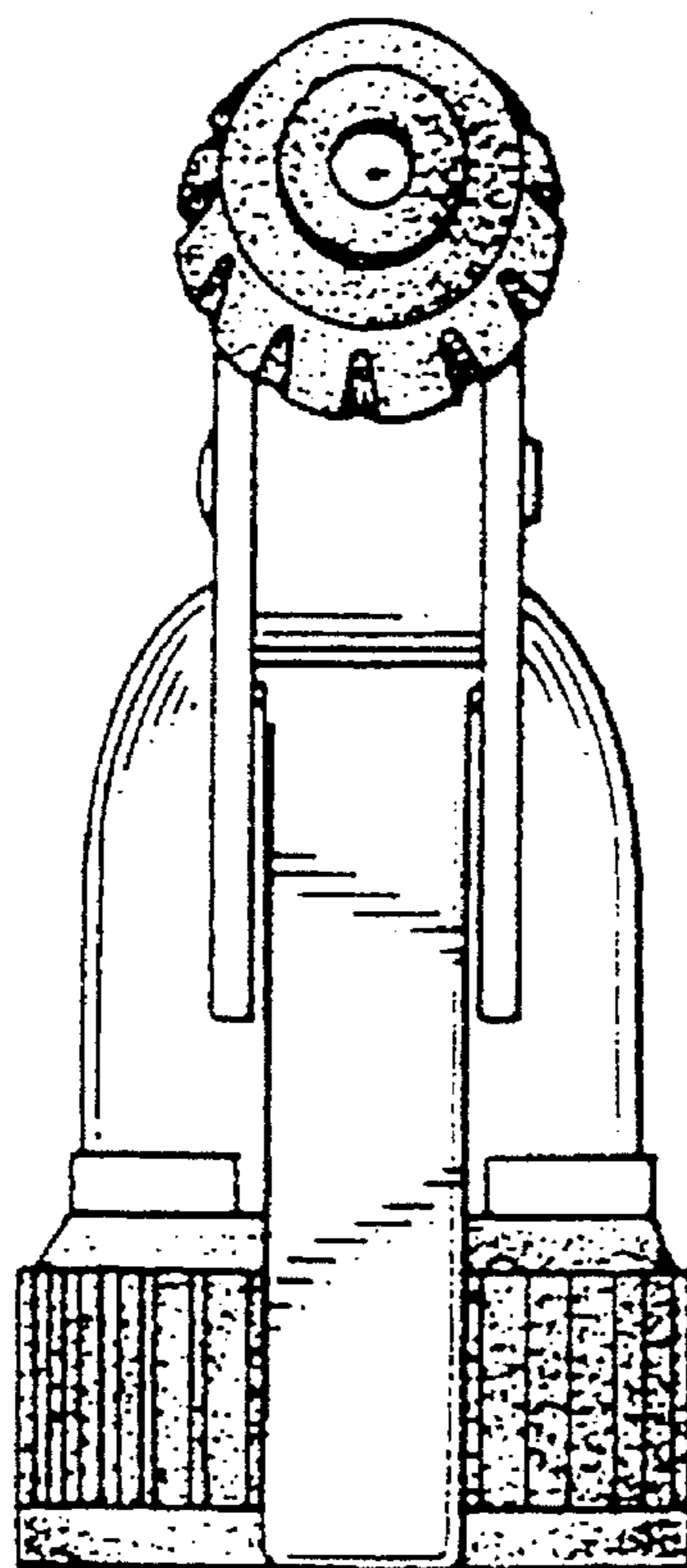


FIG. 5