



US00D373311S

United States Patent [19]

[11] Patent Number: **Des. 373,311**

Hotz

[45] Date of Patent: ***** Sep. 3, 1996**

[54] CONTAINER SPOUT

| | | | | |
|------------|---------|-----------------|-------|-----------|
| D. 91,630 | 2/1934 | Klein et al. | | D9/499 |
| D. 259,169 | 5/1981 | Bogner | | D34/11 |
| 3,255,928 | 6/1966 | Foster | | 215/321 X |
| 3,620,411 | 11/1971 | Rump | | 220/337 |
| 4,669,640 | 6/1987 | Ando et al. | | 222/569 X |
| 4,795,065 | 1/1989 | Ashizawa et al. | | D9/447 X |

[75] Inventor: **Jean-Marie Hotz**, Prèles, Switzerland

[73] Assignee: **Tetra Alfa Holdings S.A.**, Pully, Switzerland

[*] Notice: The portion of the term of this patent subsequent to May 30, 2009, has been disclaimed.

Primary Examiner—Nelson C. Holtje
Assistant Examiner—Robert M. Spear
Attorney, Agent, or Firm—Armstrong, Westerman, Hattori, McLeland & Naughton

[**] Term: **14 Years**

[21] Appl. No.: **34,695**

[22] Filed: **Feb. 10, 1995**

[57] CLAIM

The ornamental design of a container spout, as shown and described.

Related U.S. Application Data

[62] Division of Ser. No. 918,379, Jul. 24, 1992, Pat. No. Des. 358,771.

DESCRIPTION

[30] Foreign Application Priority Data

Jan. 24, 1992 [CH] Switzerland 119-527

[52] U.S. Cl. **D9/447**

[58] Field of Search D9/300, 434-6, D9/440, 444-7, 449, 499; D34/11; 215/317, 321; 220/259, 334, 337, 340, 375; 222/569

FIG. 1 is a perspective view, taken from the top left of a container spout of the design of my invention showing the spout in the closed position;

FIG. 2 is a perspective view, taken from the top left thereof showing the spout in the open position;

FIG. 3 is a right side elevational view thereof, the left side being a mirror image;

FIG. 4 is a front elevational view thereof;

FIG. 5 is a rear elevational view thereof; and,

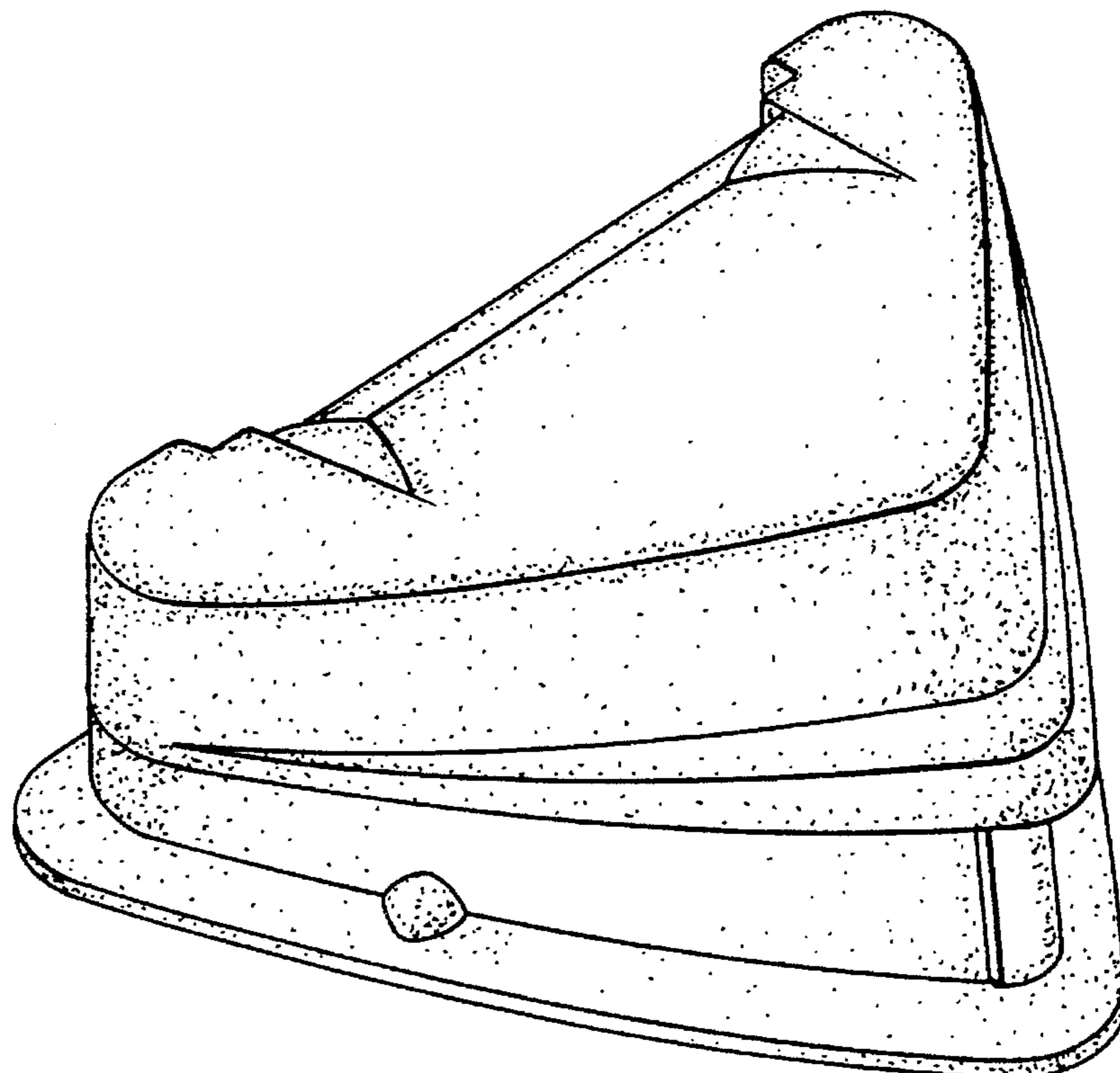
FIG. 6 is a bottom view thereof.

[56] References Cited

U.S. PATENT DOCUMENTS

D. 47,182 4/1915 Danziger D9/300

1 Claim, 3 Drawing Sheets



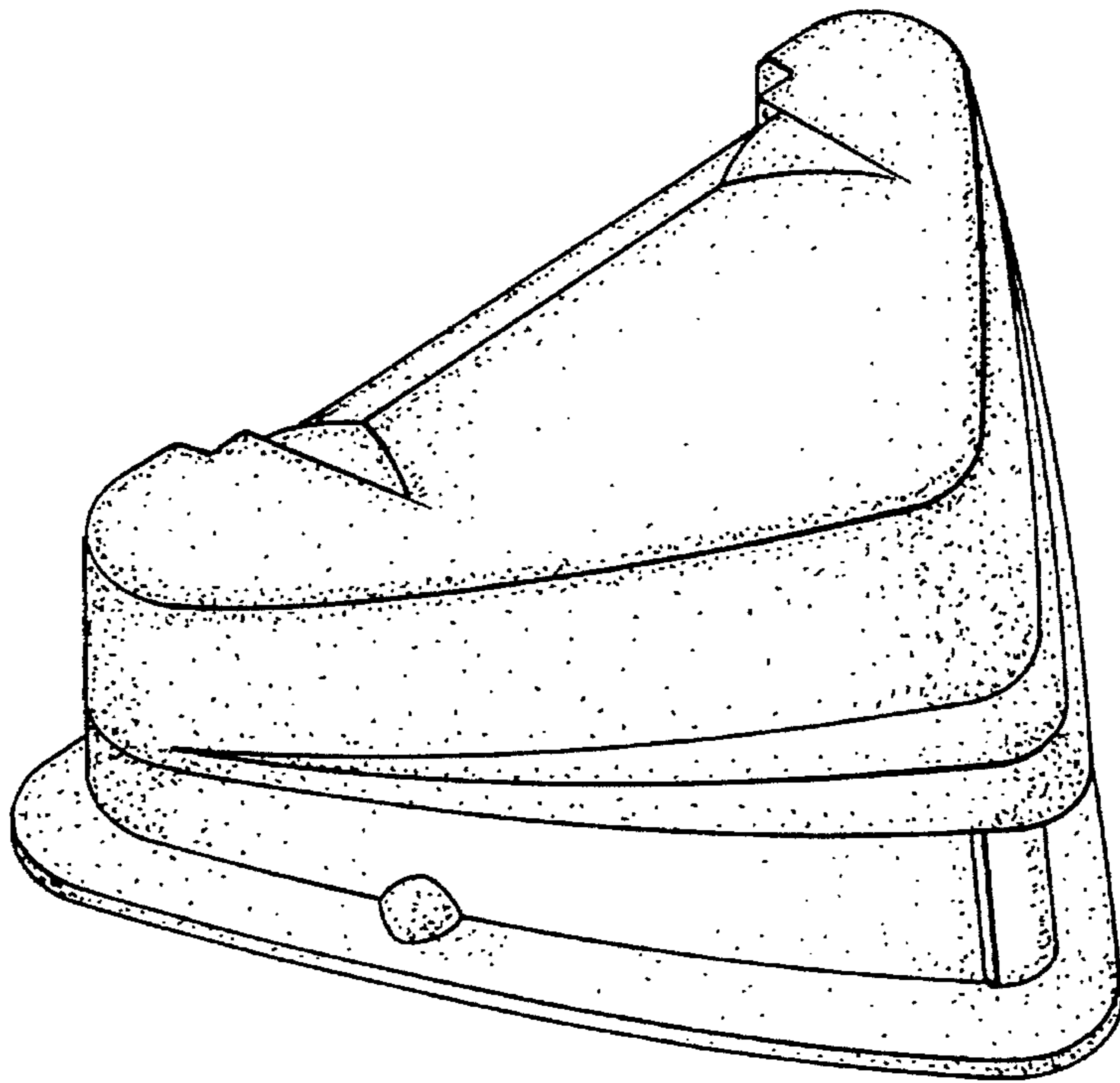


Fig. 1

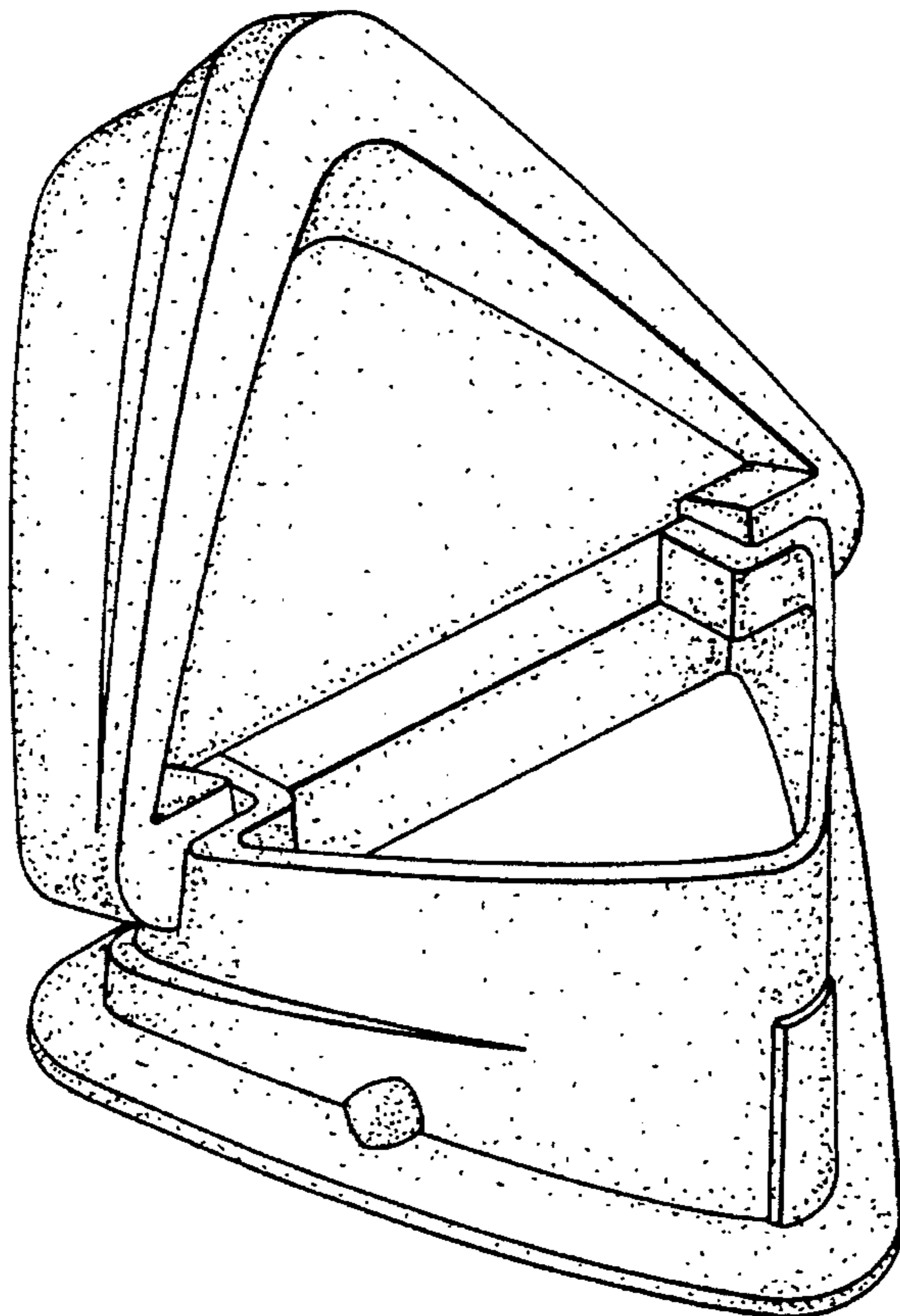


Fig. 2

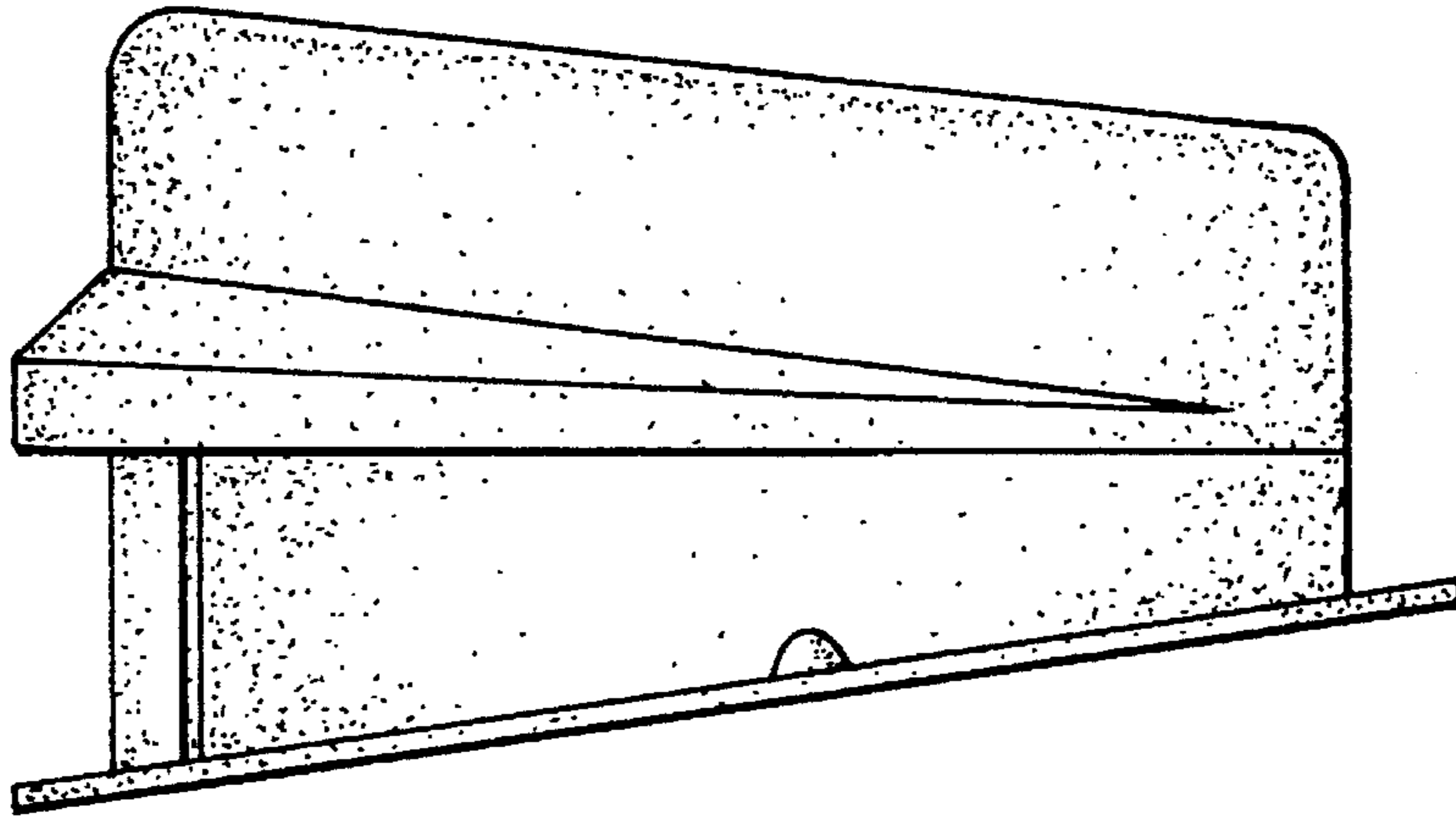


Fig. 3

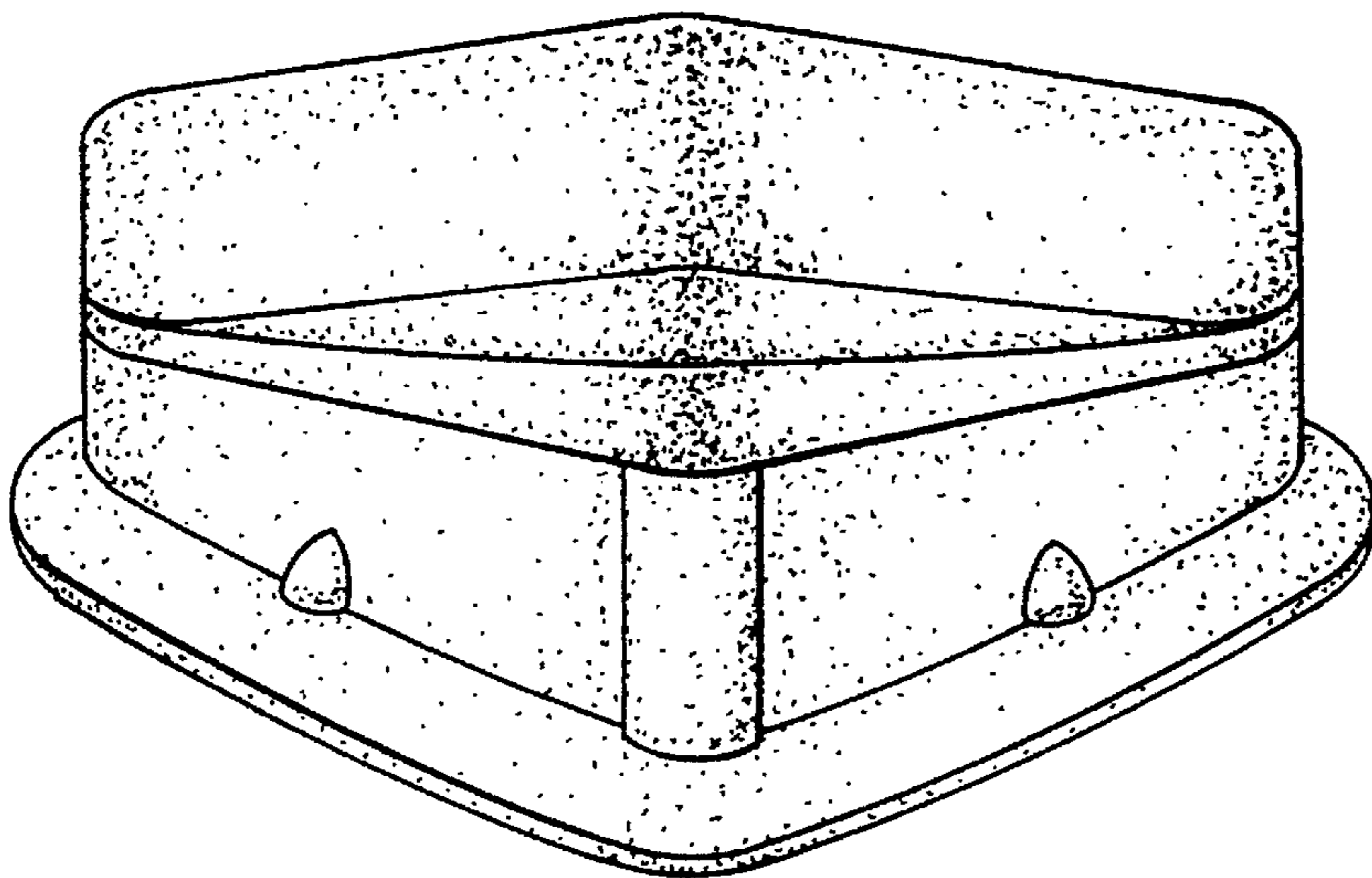


Fig. 4

Fig. 5

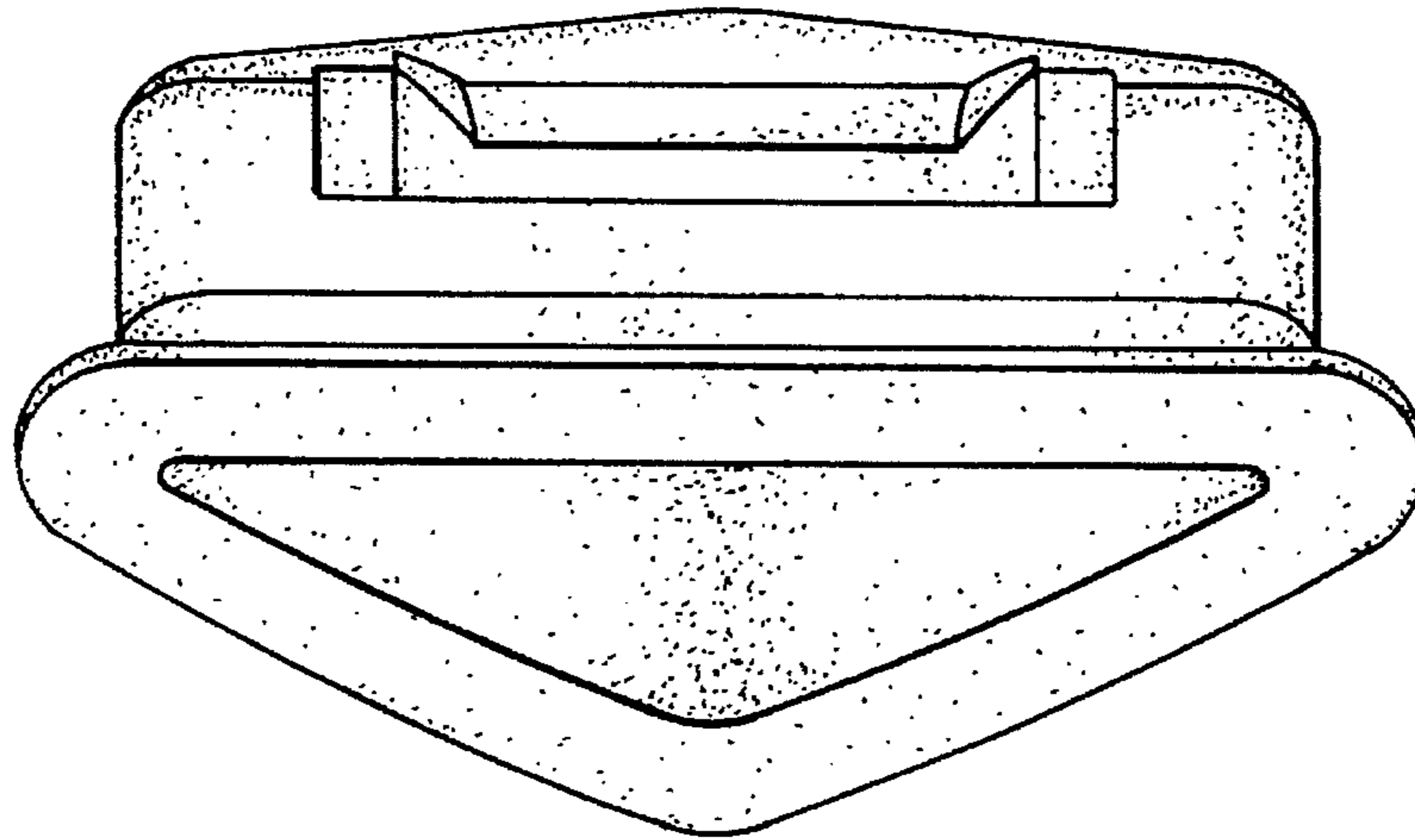


Fig. 6

