



US00D373310S

United States Patent [19]

Trautmann

[11] Patent Number: Des. 373,310

[45] Date of Patent: **Sep. 3, 1996

[54] BOTTLE CLOSURE

[76] Inventor: Heinz Trautmann, Waldstrasse 19, D-64689 Grasellenbach 3, Germany

[**] Term: 14 Years

[21] Appl. No.: 28,986

[22] Filed: Sep. 27, 1994

[30] Foreign Application Priority Data

Apr. 7, 1994 [DE] Germany M 94 02 887.7

[52] U.S. Cl. D9/441

[58] Field of Search D9/302, 338, 434-6, D9/439, 441, 443, 451, 454, 499; D7/392.1; D99/30; 215/213, 228, 320, 324, 328, 316

[56] References Cited

U.S. PATENT DOCUMENTS

D. 82,679	12/1930	Hutcheson	D9/441
D. 135,246	3/1943	Burke	D9/302
D. 155,562	10/1949	Werner	D9/338
D. 187,114	1/1960	Yoder	D9/439
D. 271,285	11/1983	Lauren	D9/454
D. 288,258	2/1987	Oden	D99/30
D. 319,585	1/1991	Poandl	D9/435
D. 339,955	10/1993	Katz	D7/392.1
897,131	8/1908	Owen	215/228
1,947,042	2/1934	Glennan	D9/338 X
3,099,452	7/1963	Fernicola	215/228
3,937,347	2/1976	Cottingham	215/213

FOREIGN PATENT DOCUMENTS

930625 8/1993 Norway .

Primary Examiner—Nelson C. Holtje
Assistant Examiner—Robert M. Spear
Attorney, Agent, or Firm—Flynn, Thiel, Boutell & Tanis, P.C.

[57] CLAIM

The ornamental design for a bottle closure, as shown and described.

DESCRIPTION

FIG. 1 is a bottom and right front isometric view of a bottle closure showing a first embodiment of my new design; FIG. 2 is a front elevational view thereof, the rear view being identical thereto; FIG. 3 is a left side elevational view thereof, the right side elevational view being a mirror image thereof; FIG. 4 is a bottom view thereof; FIG. 5 is a top plan view thereof; FIG. 6 is a bottom and right front isometric view of a bottle closure showing a second embodiment of my new design; FIG. 7 is a front elevational view thereof, the rear view being identical thereto; FIG. 8 is a left side elevational view thereof, the right side elevational view being a mirror image thereof; FIG. 9 is a bottom view thereof; FIG. 10 is a top view thereof; FIG. 11 is a bottom and right front isometric view of a bottle closure showing a third embodiment of my new design; FIG. 12 is a front elevational view thereof; FIG. 13 is a right side elevational view thereof, the left side view being a mirror image thereof; FIG. 14 is a rear view thereof; FIG. 15 is a bottom view thereof; FIG. 16 is a top view thereof; FIG. 17 is a bottom and front isometric view of a bottle closure showing a fourth embodiment of my new design; FIG. 18 is a front elevational view thereof, the rear view being identical thereto; FIG. 19 is a left side elevational view thereof, the right side elevational view being a mirror image thereof; FIG. 20 is a top view thereof; FIG. 21 is a bottom view thereof; FIG. 22 is a bottom and right front isometric view of a bottle closure showing a fifth embodiment of my new design; FIG. 23 is a front elevational view thereof, the rear view being a mirror image thereof; FIG. 24 is a left side elevational view thereof, the right side elevational view being a mirror image thereof; FIG. 25 is a bottom view thereof; FIG. 26 is a top view thereof;

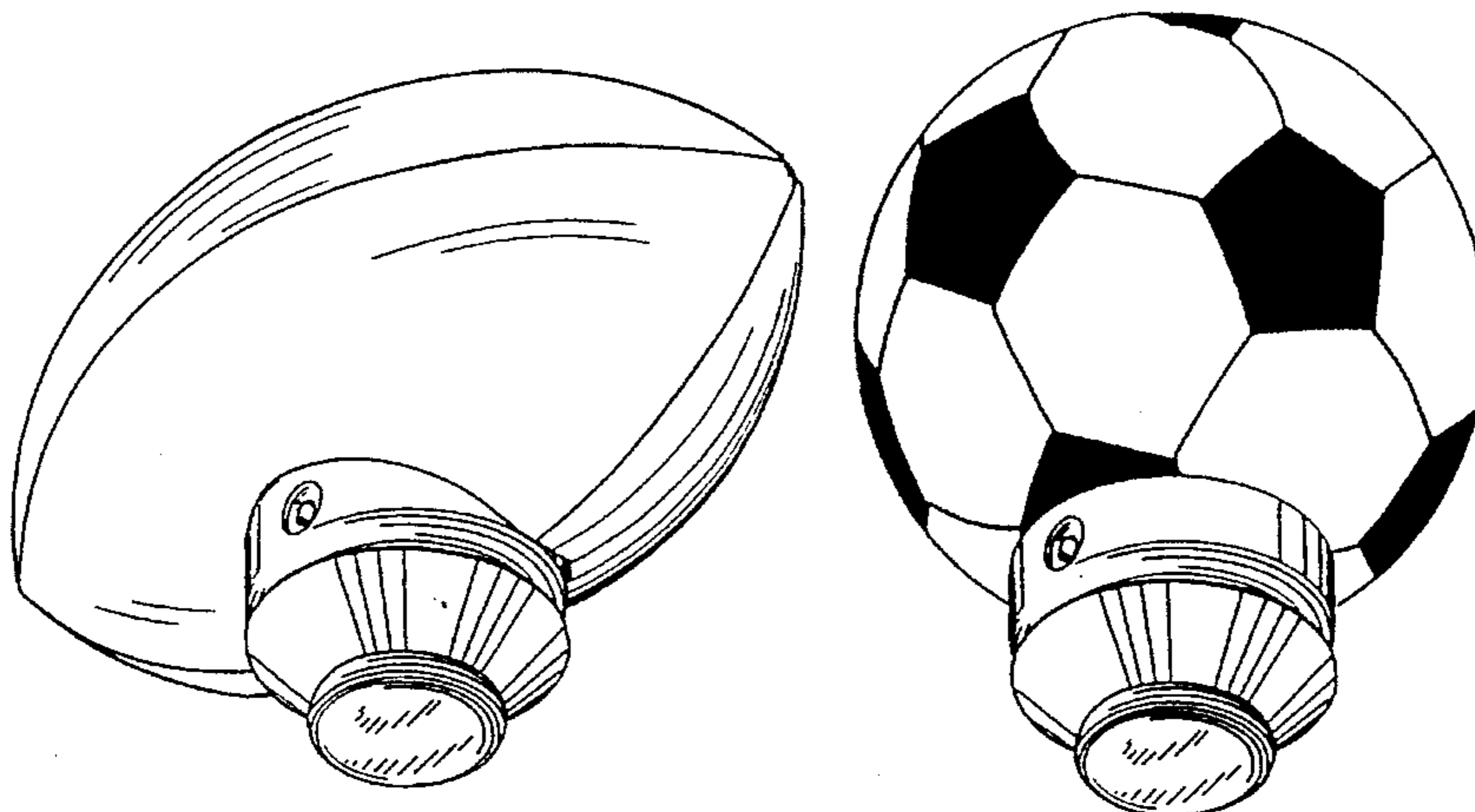


FIG. 27 is a bottom and right front isometric view of a bottle closure showing a sixth embodiment of my new design;

FIG. 28 is a front elevational view thereof, the rear view being identical thereto;

FIG. 29 is a left side elevational view thereof, the right side elevational view being a mirror image thereof;

FIG. 30 is a bottom view thereof;

FIG. 31 is a top view thereof;

FIG. 32 is a bottom and right front isometric view of a bottle closure showing a seventh embodiment of my new design;

FIG. 33 is a front elevational view thereof, the rear view being identical thereto;

FIG. 34 is a left side elevational view thereof, the right side elevational view being a mirror image thereof;

FIG. 35 is a rear view thereof;

FIG. 36 is a bottom view thereof; and,

FIG. 37 is a top view thereof.

1 Claim, 7 Drawing Sheets

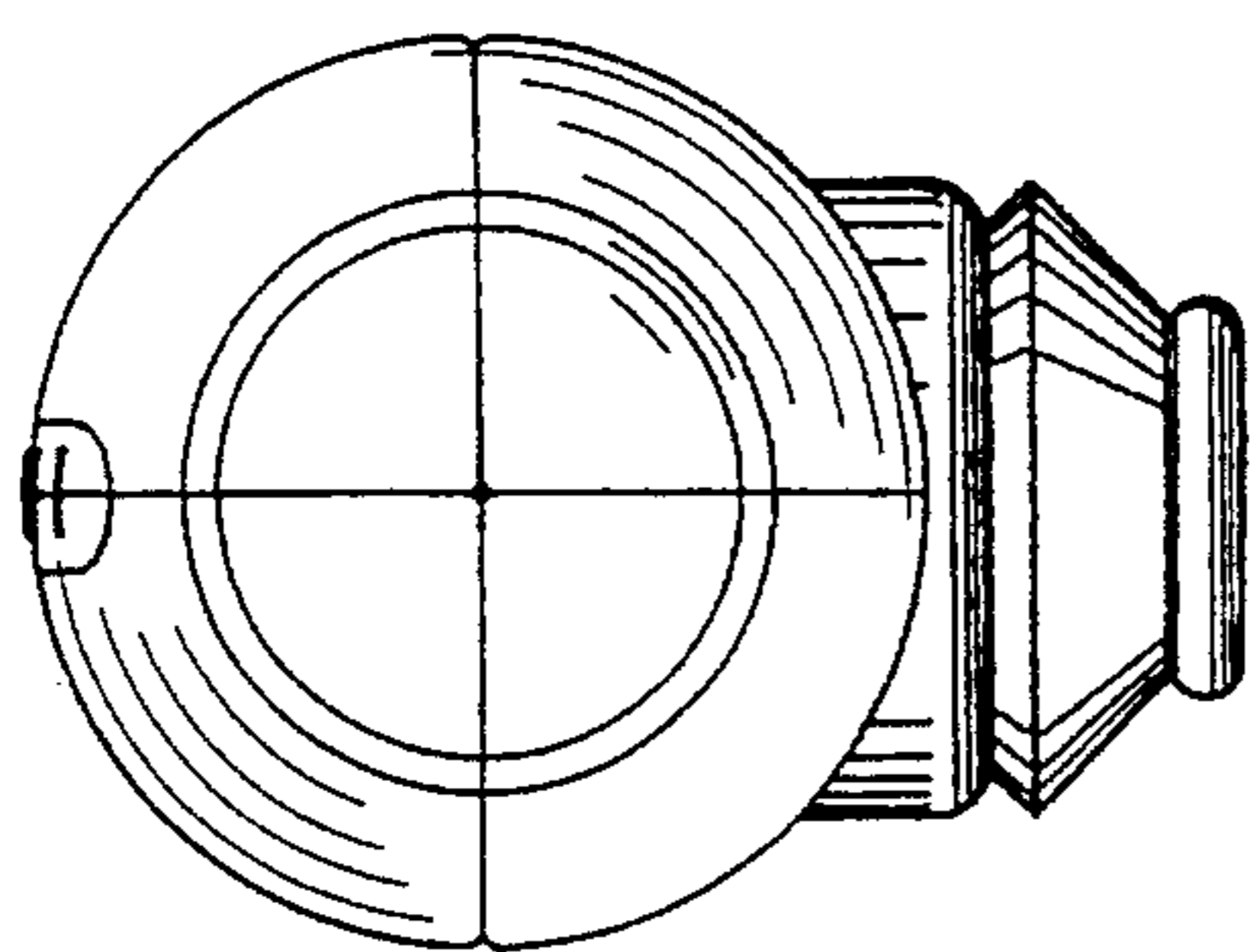


FIG. 3

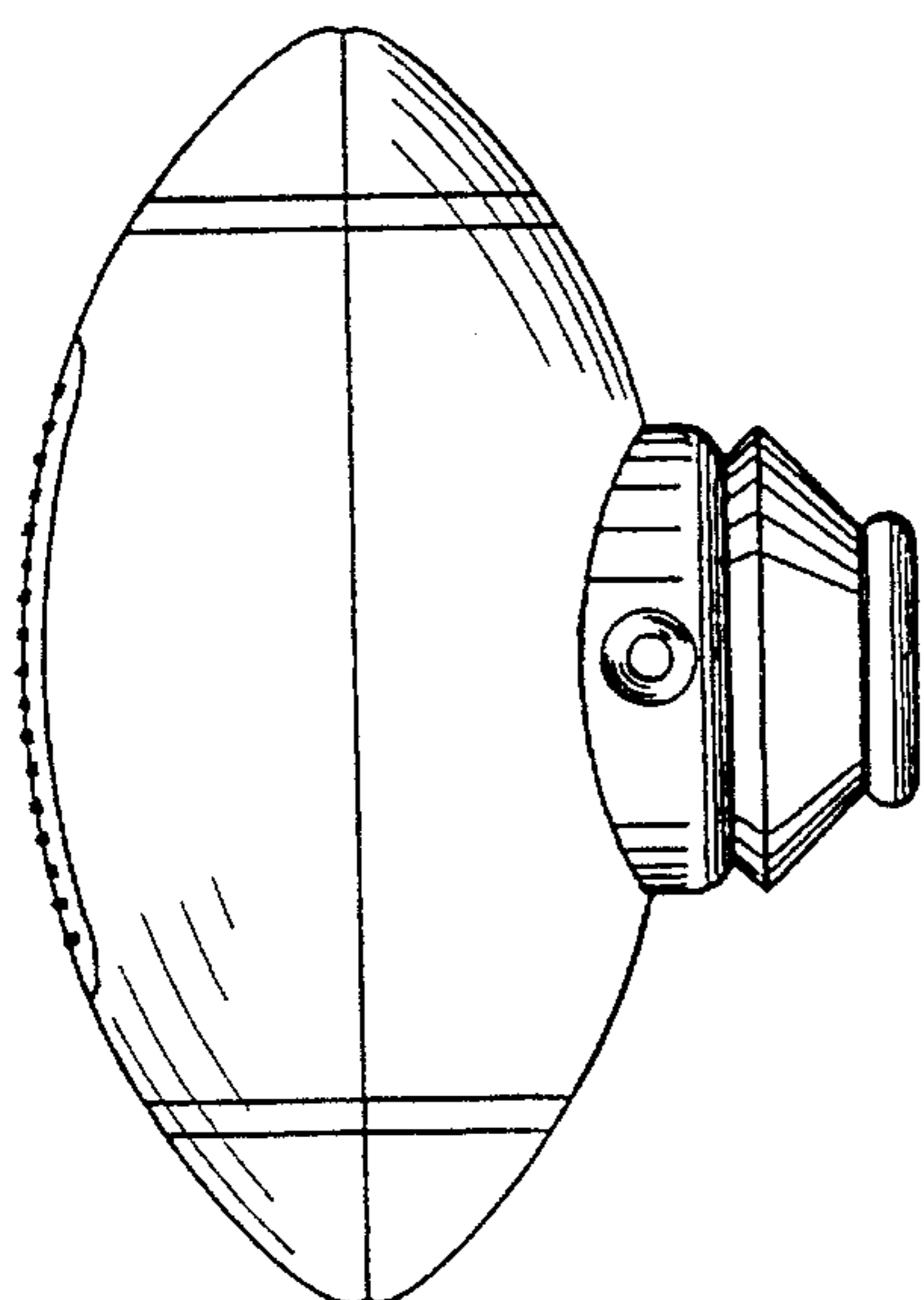


FIG. 2

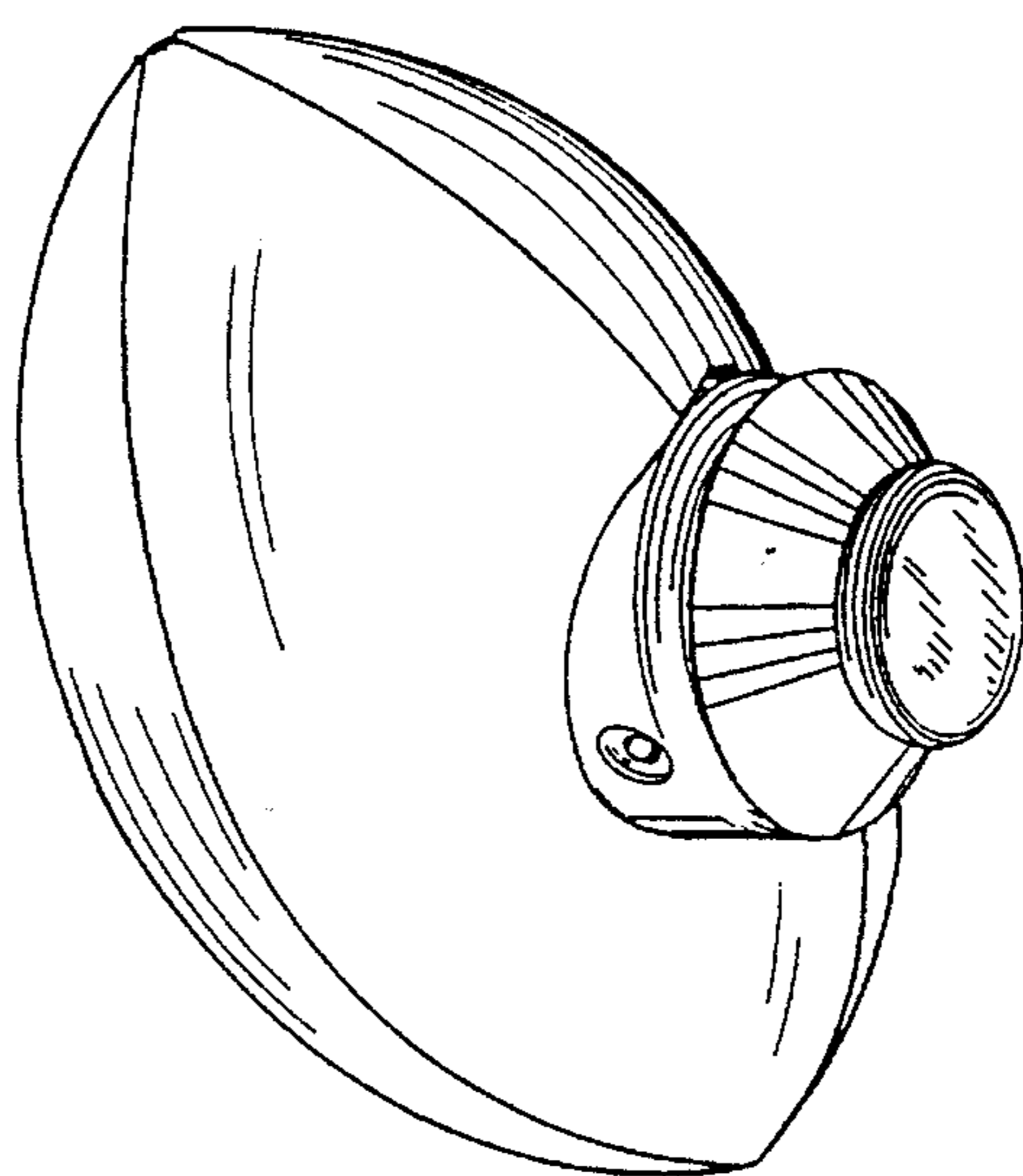


FIG. 1

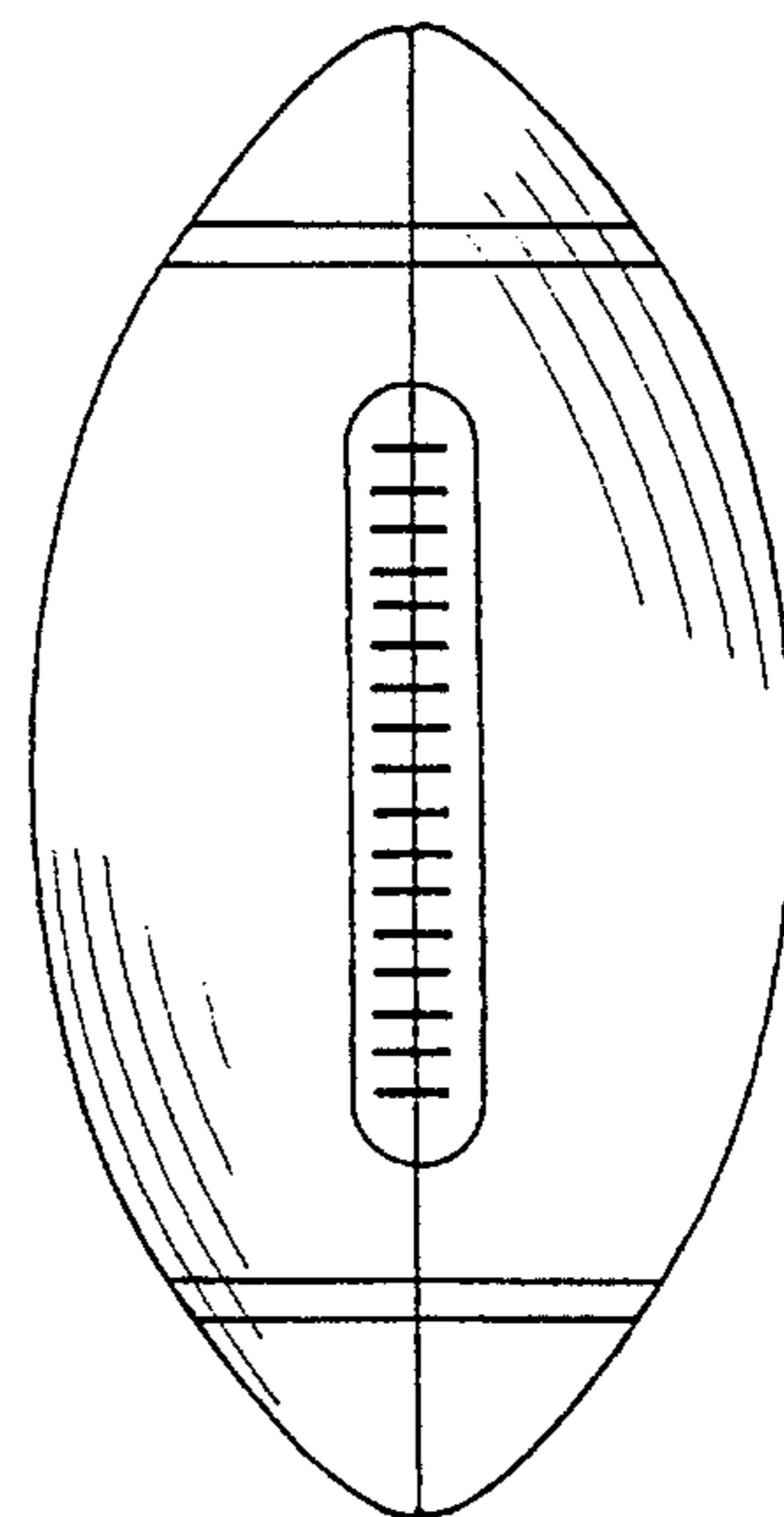


FIG. 5

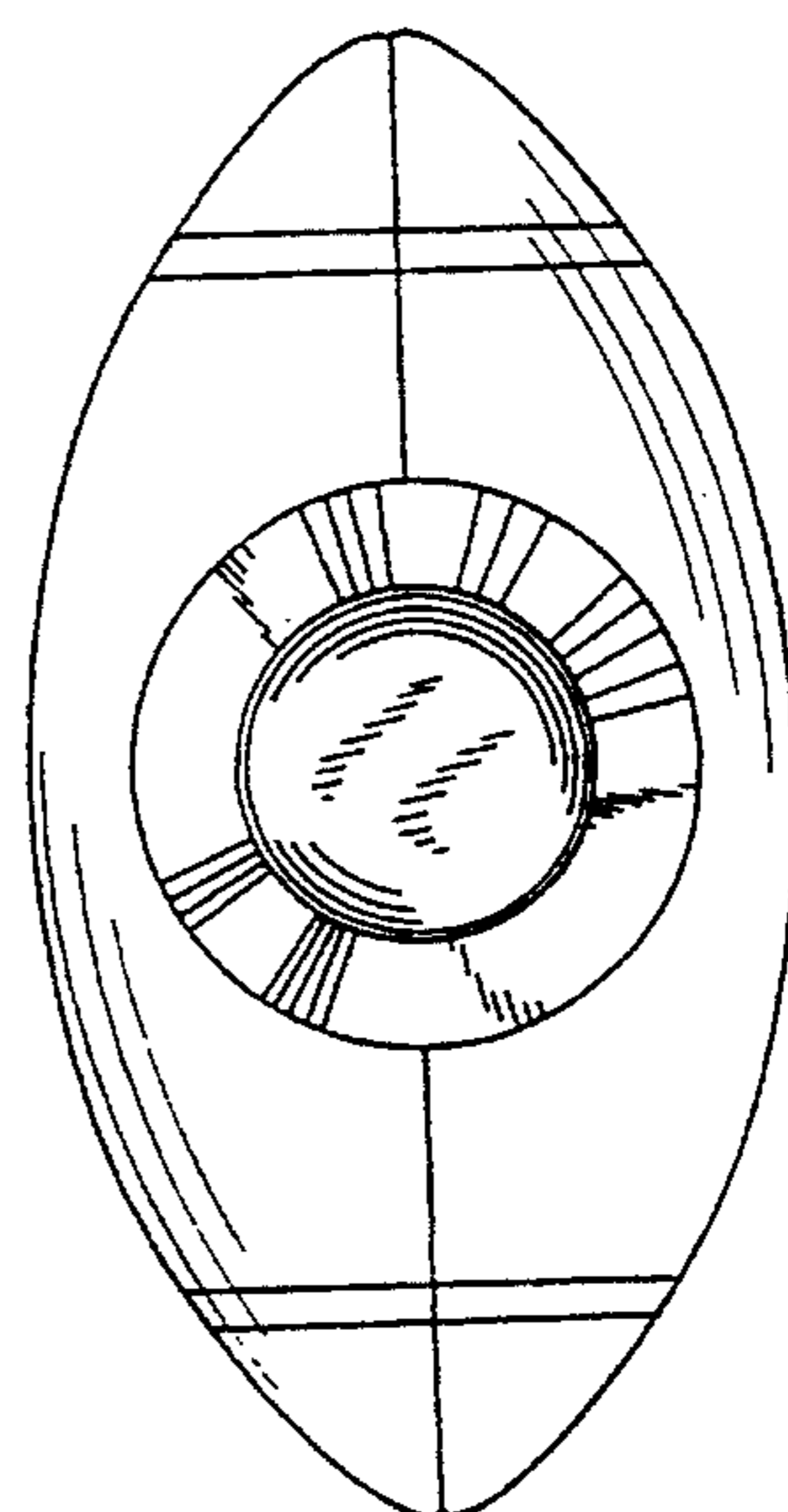


FIG. 4

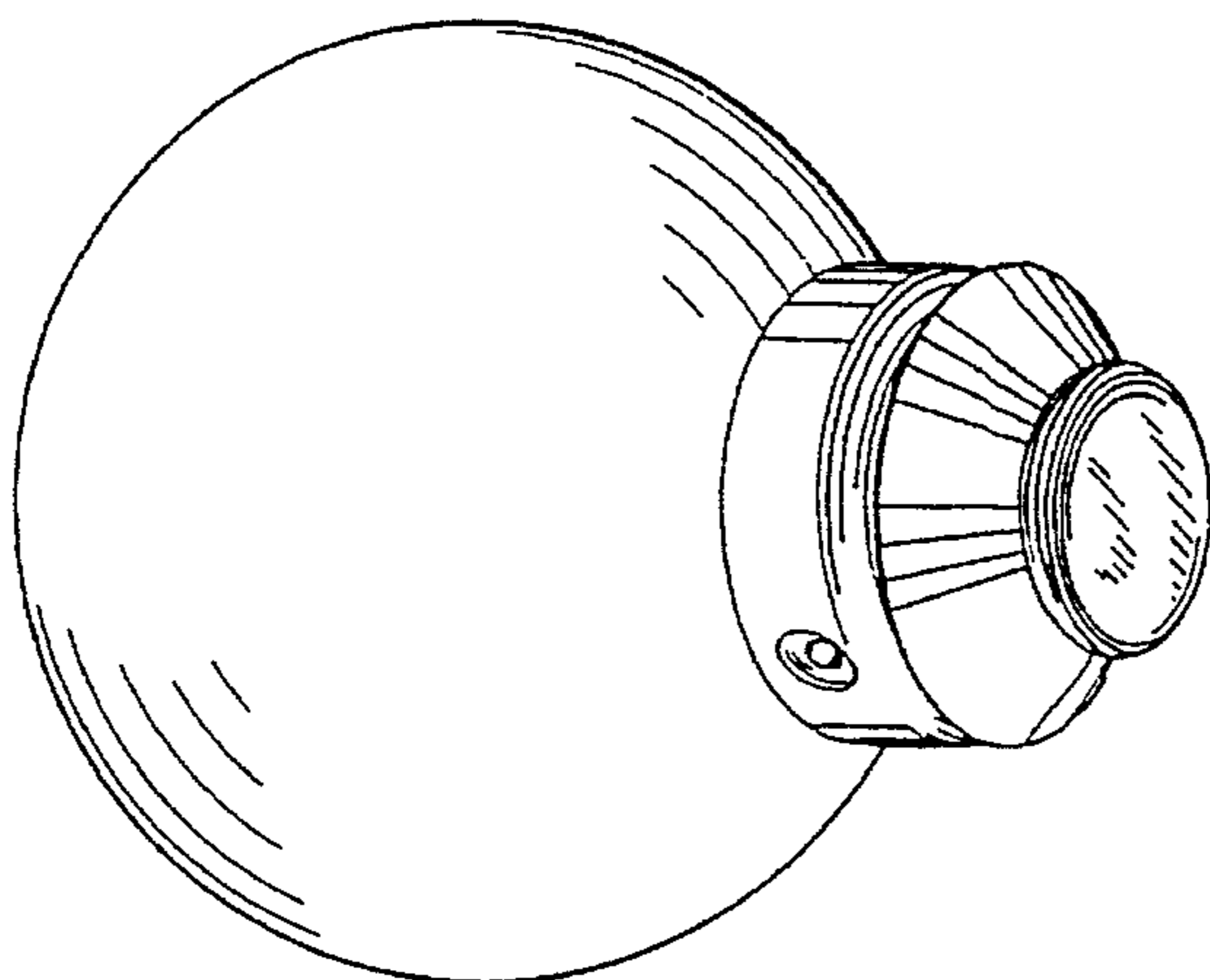


FIG. 6

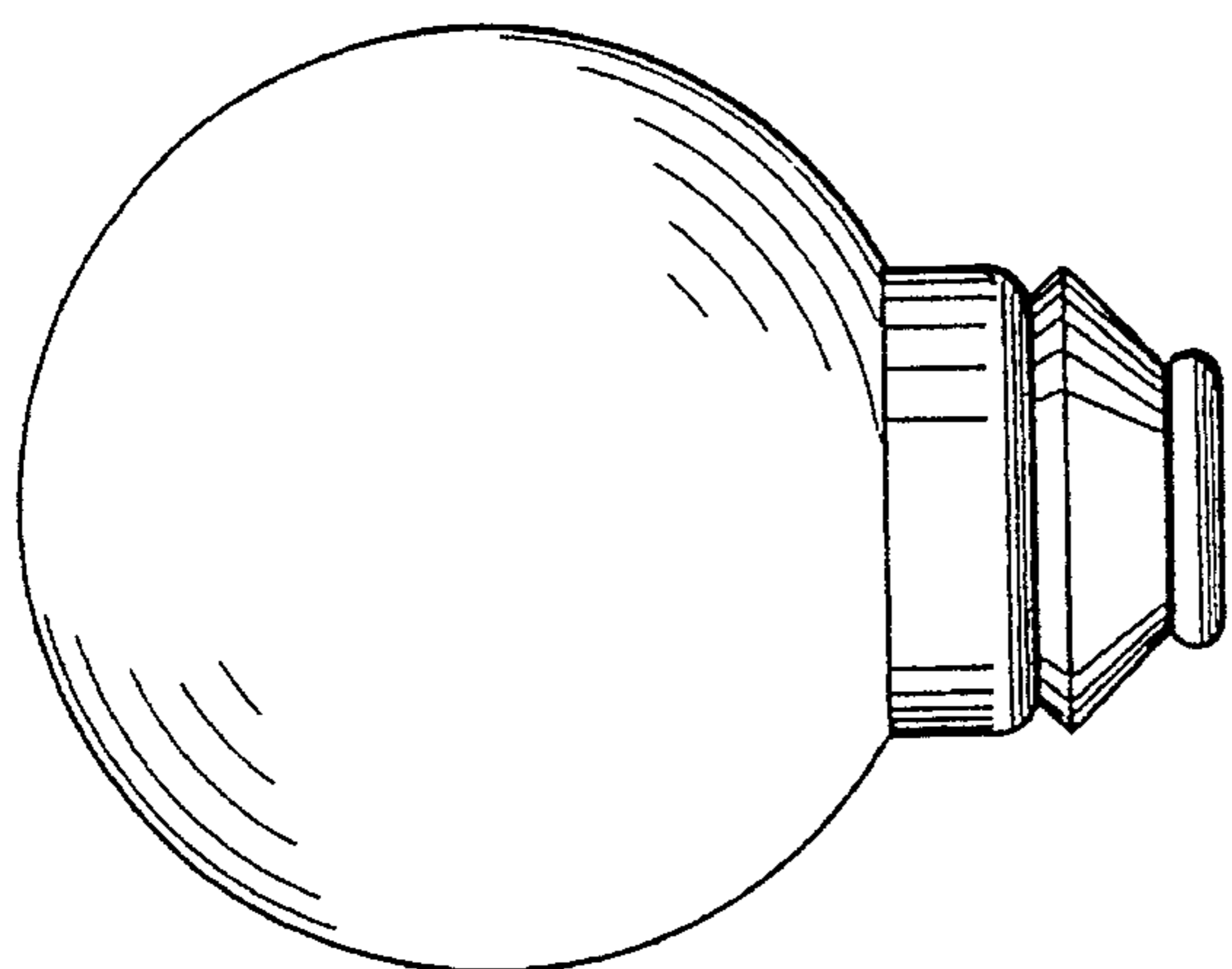


FIG. 8

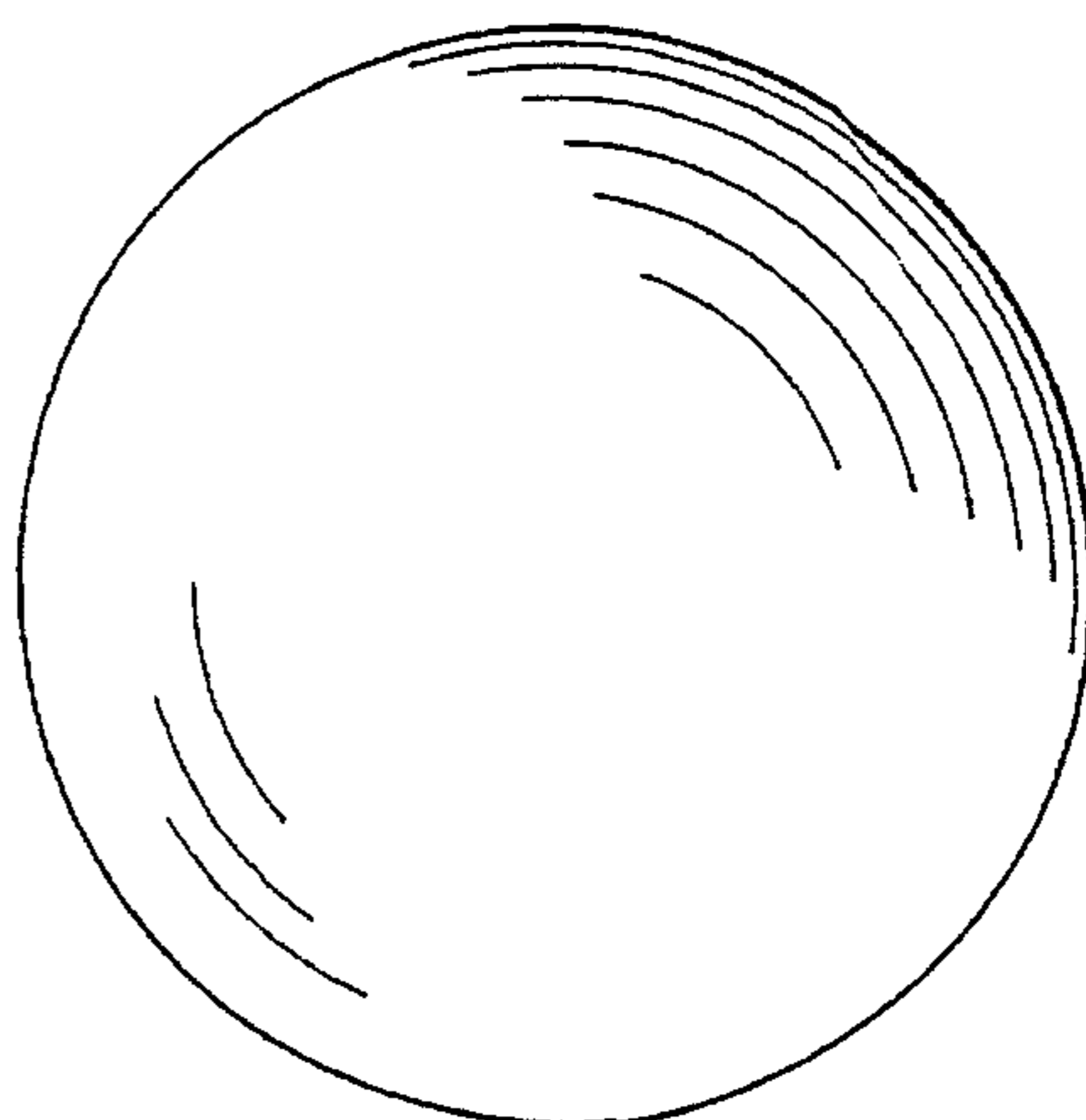


FIG. 10

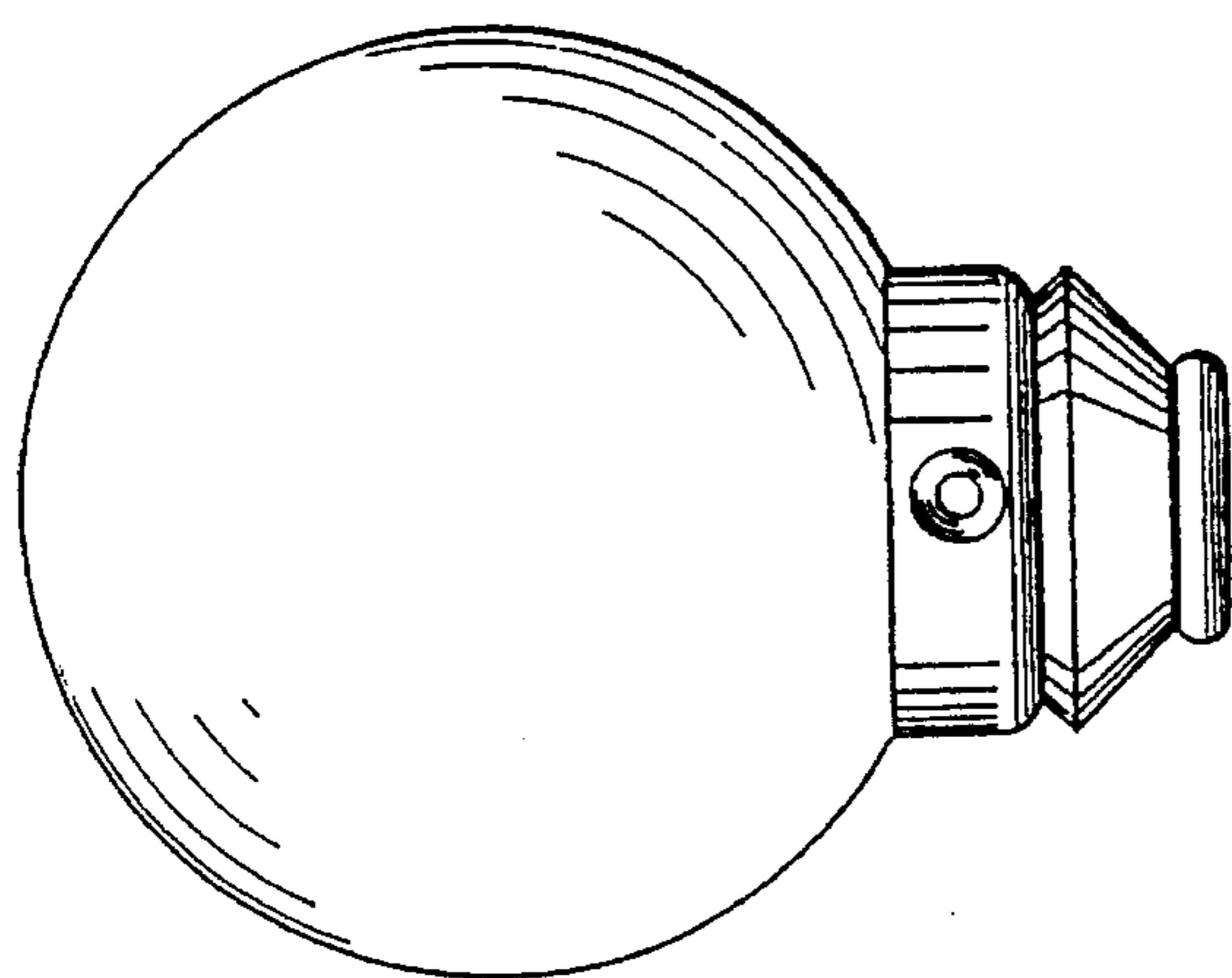


FIG. 7

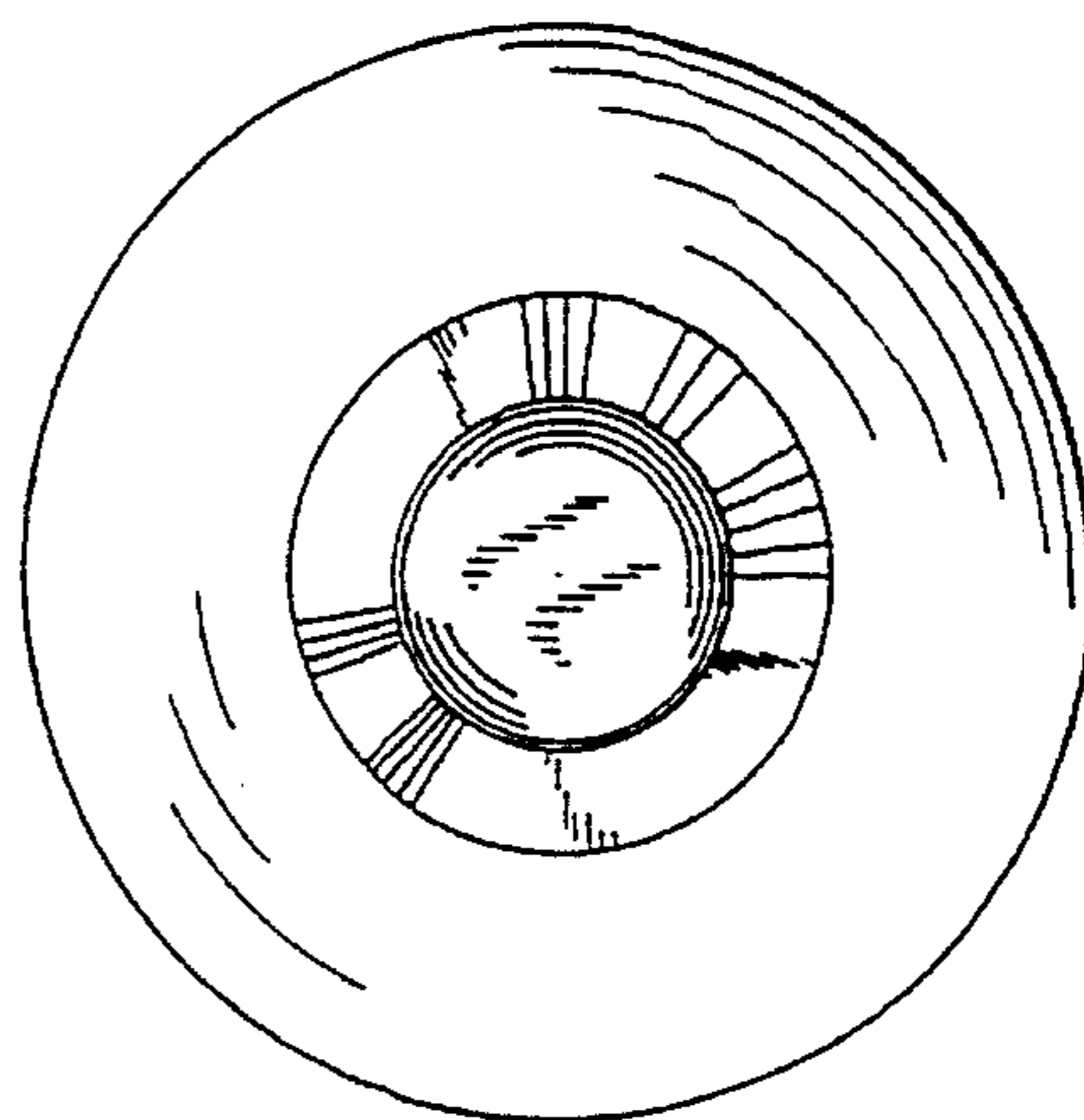


FIG. 9

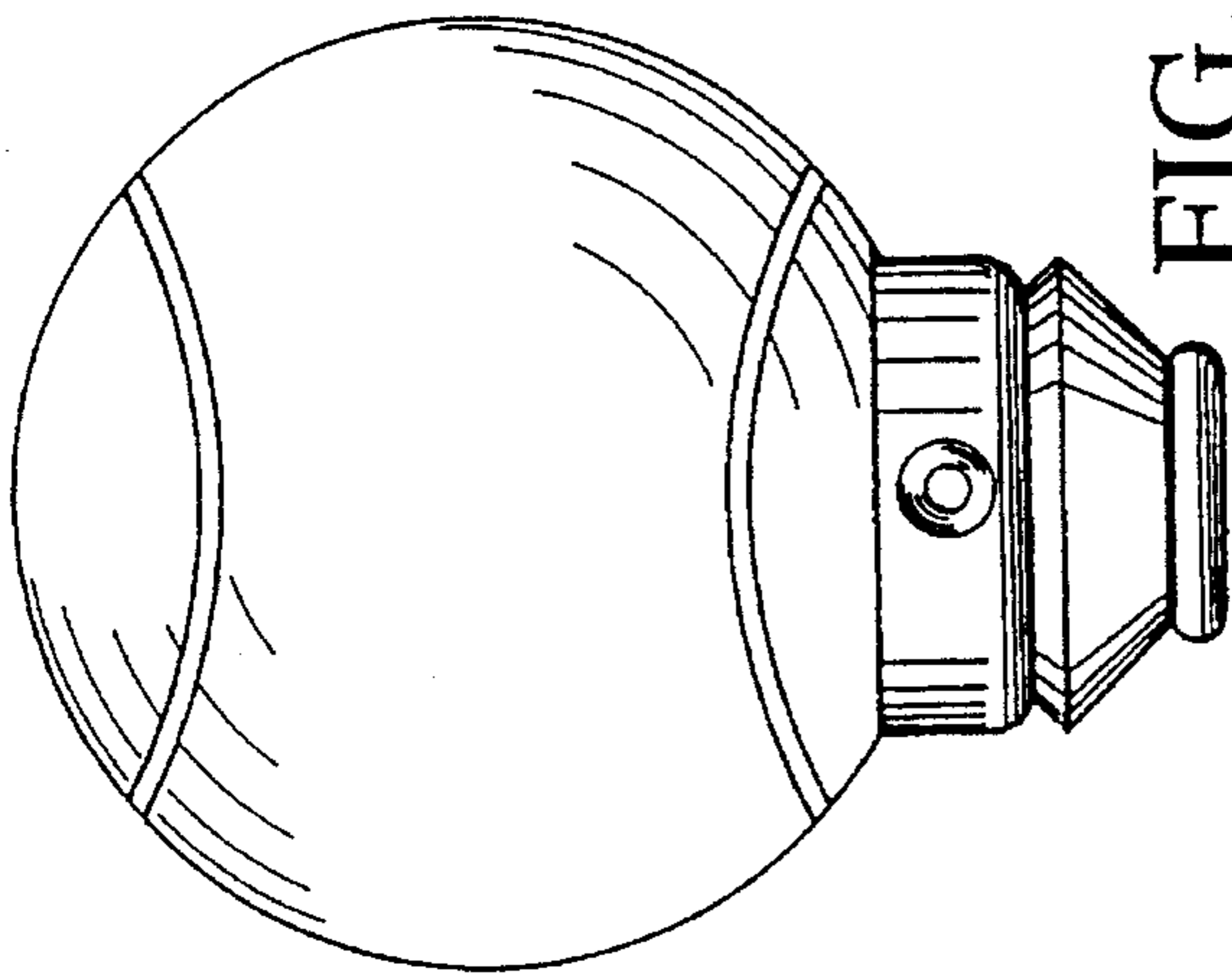


FIG. 12

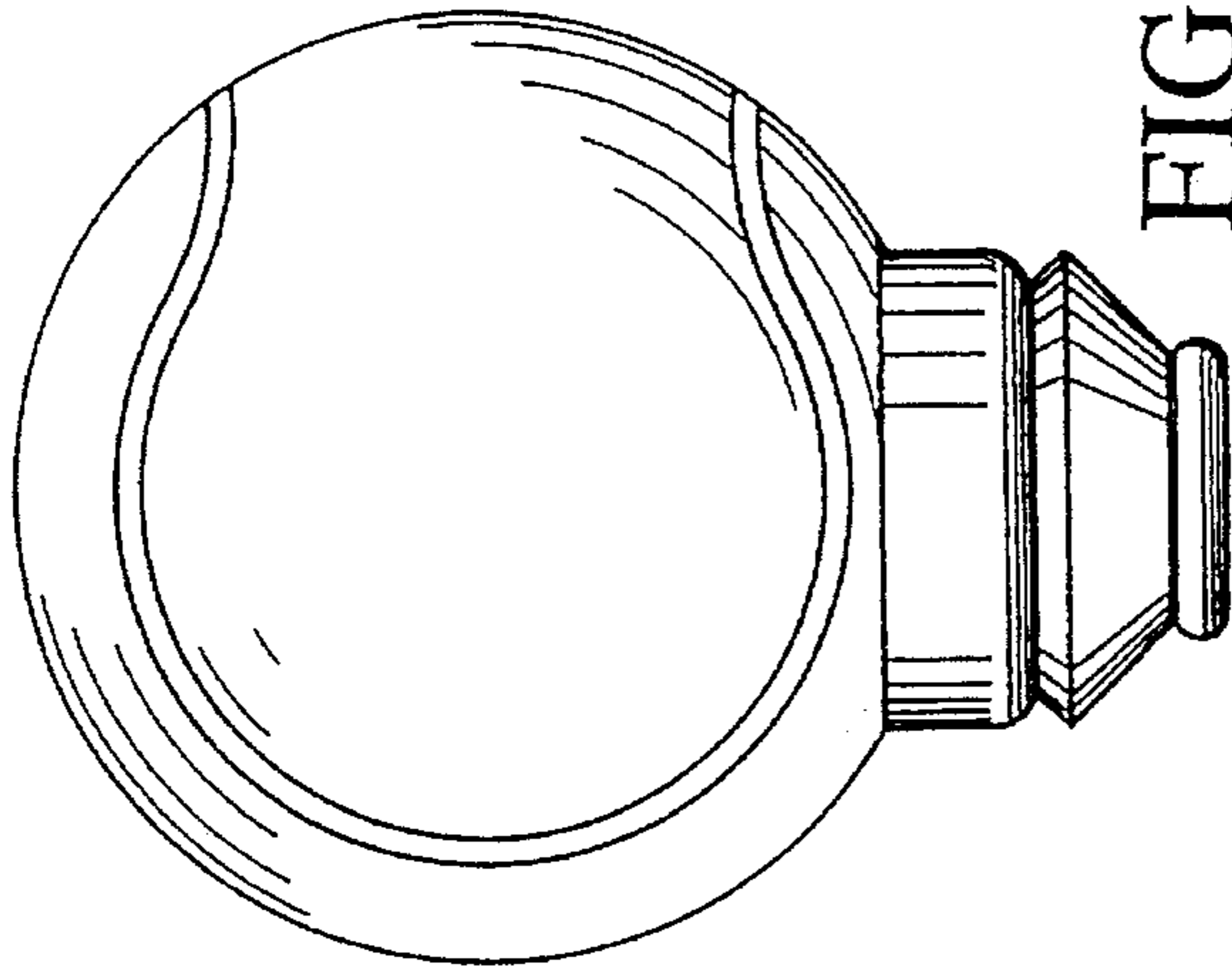


FIG. 13

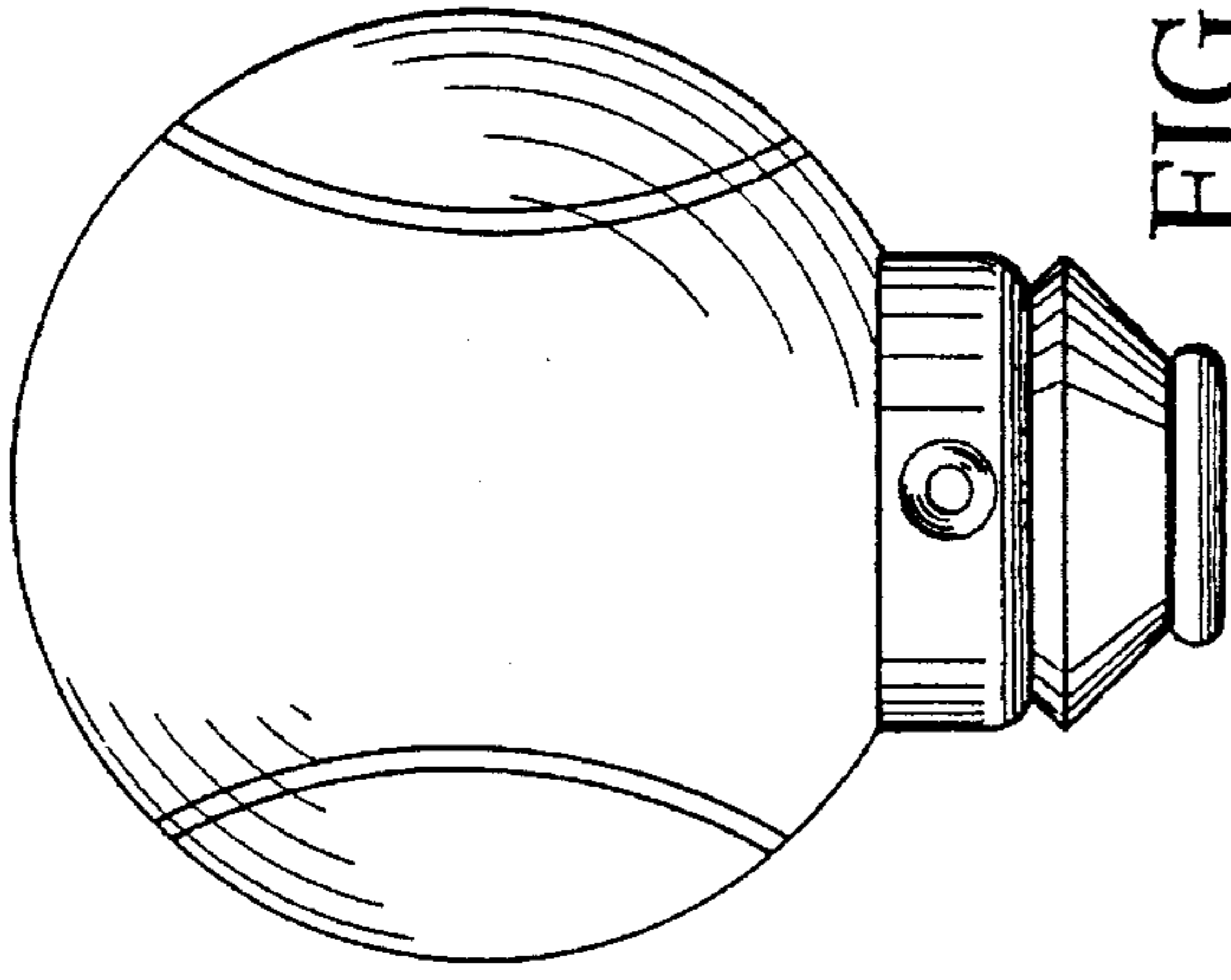


FIG. 14

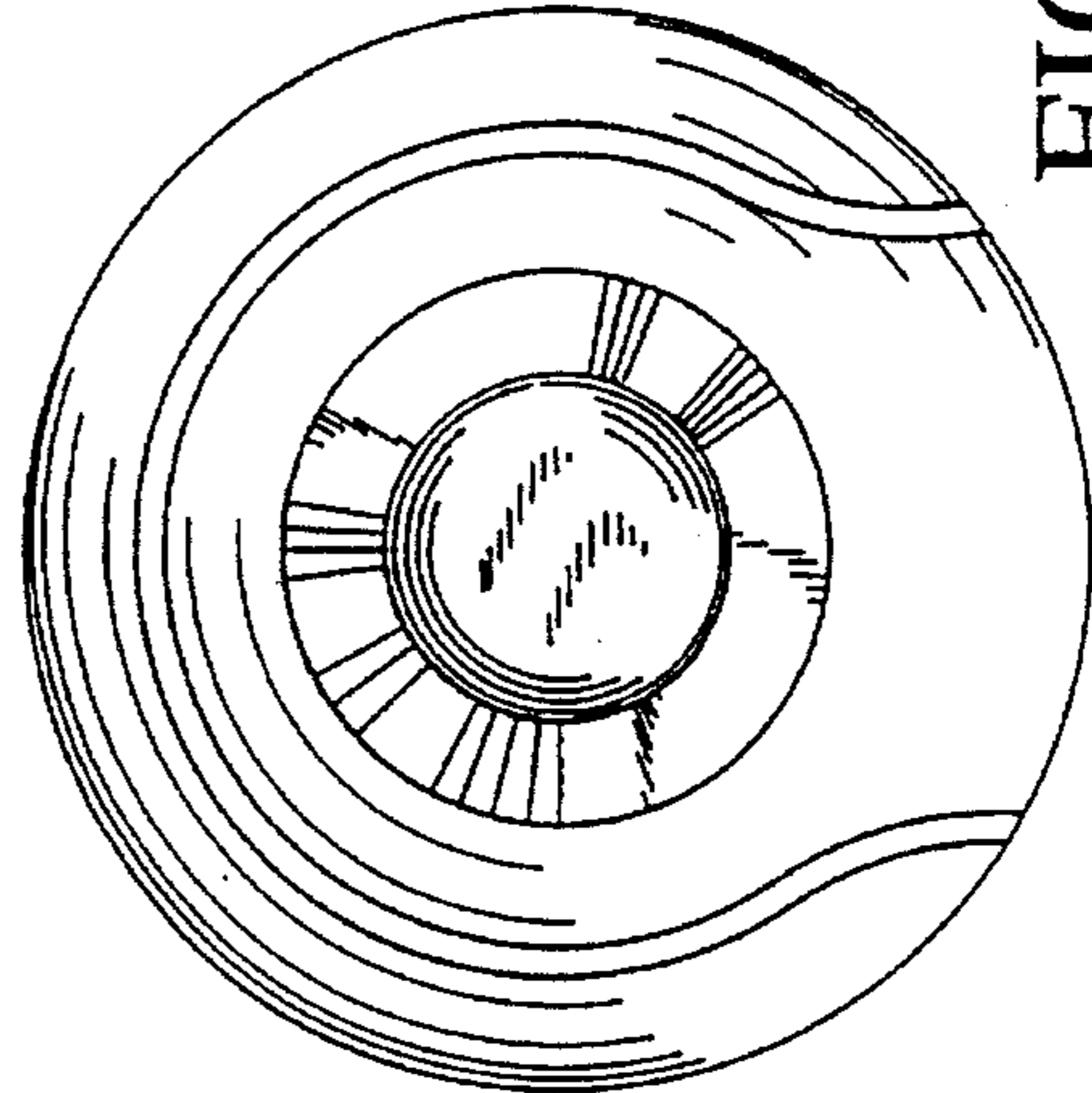


FIG. 15

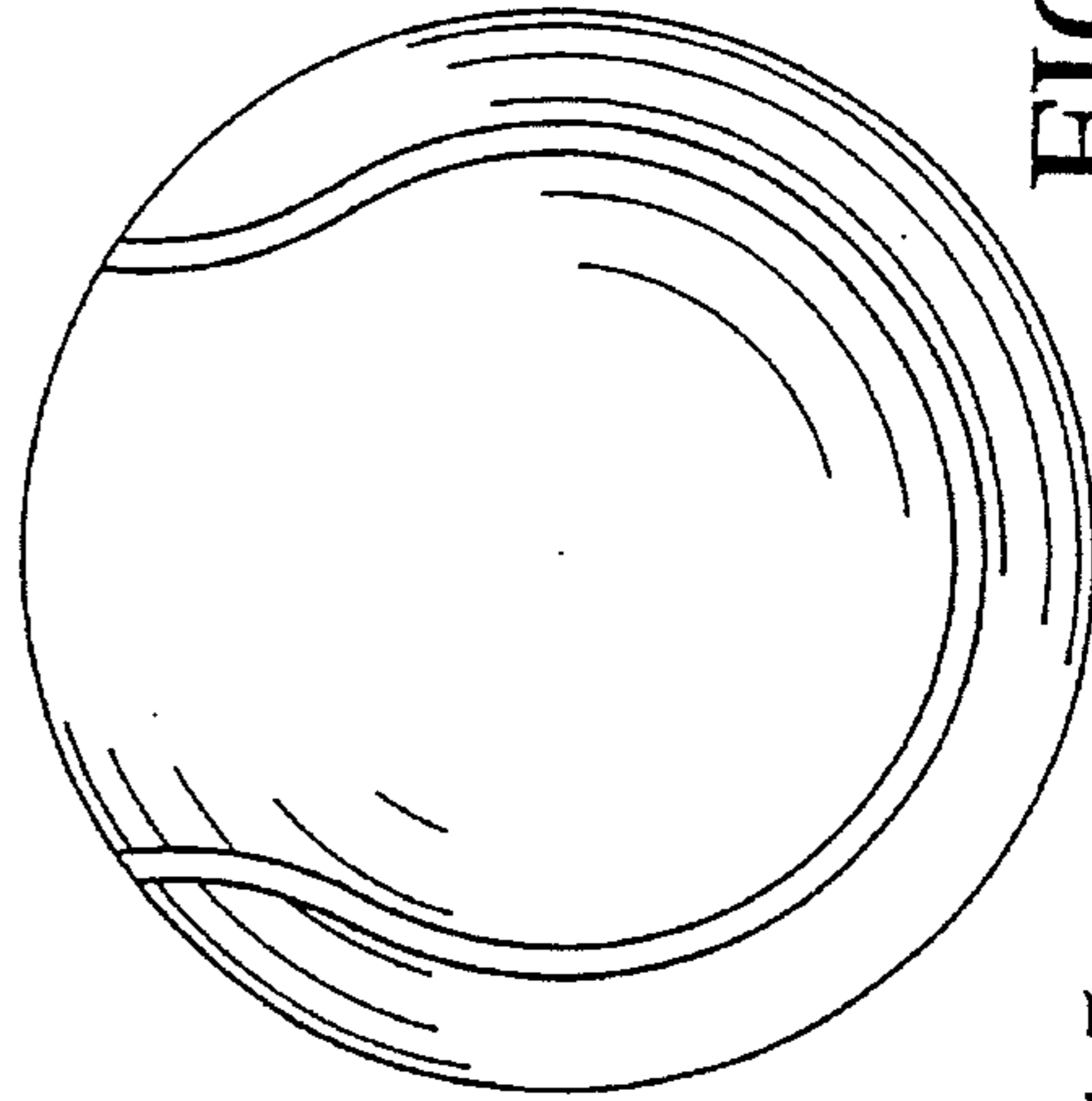


FIG. 16

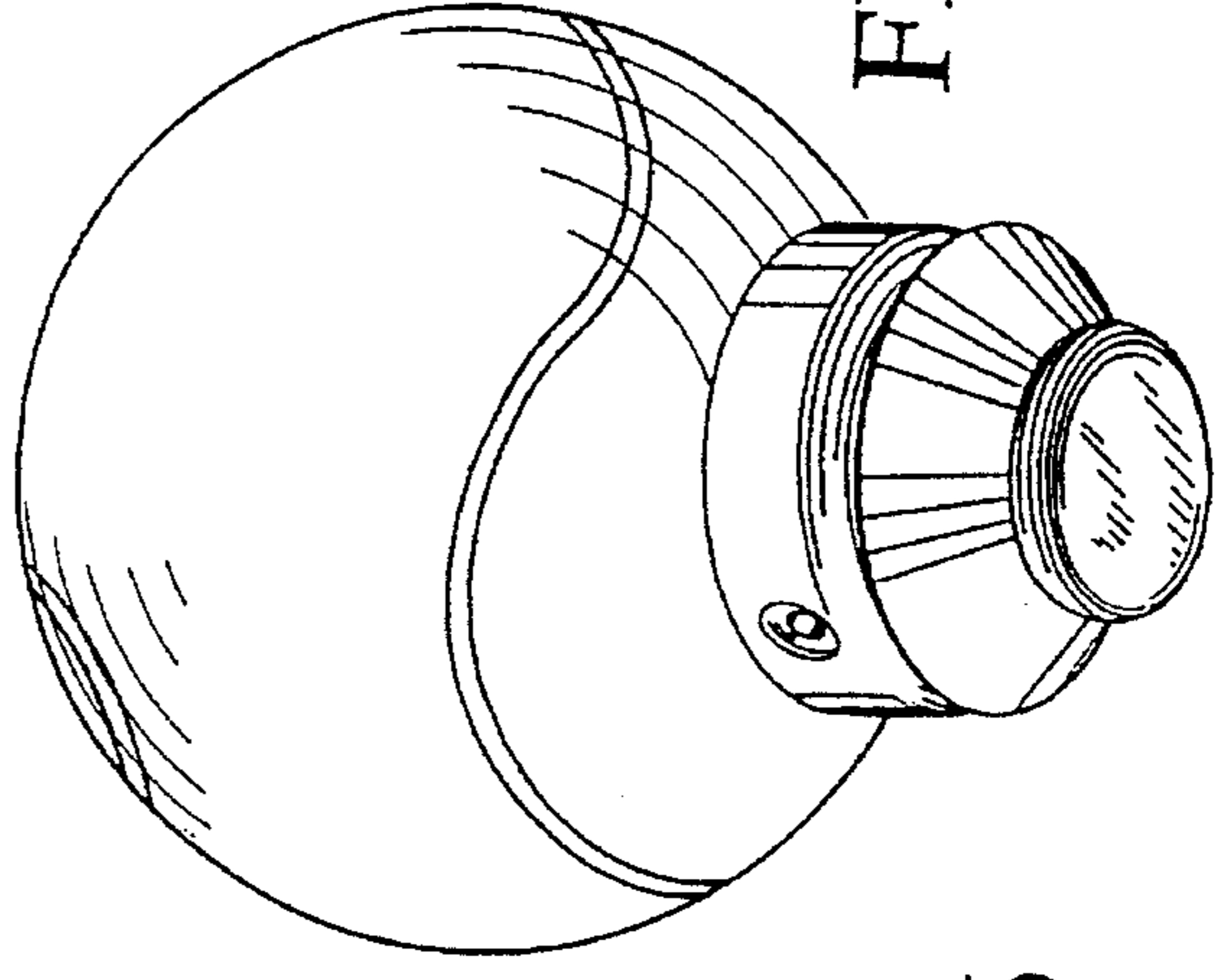


FIG. 11

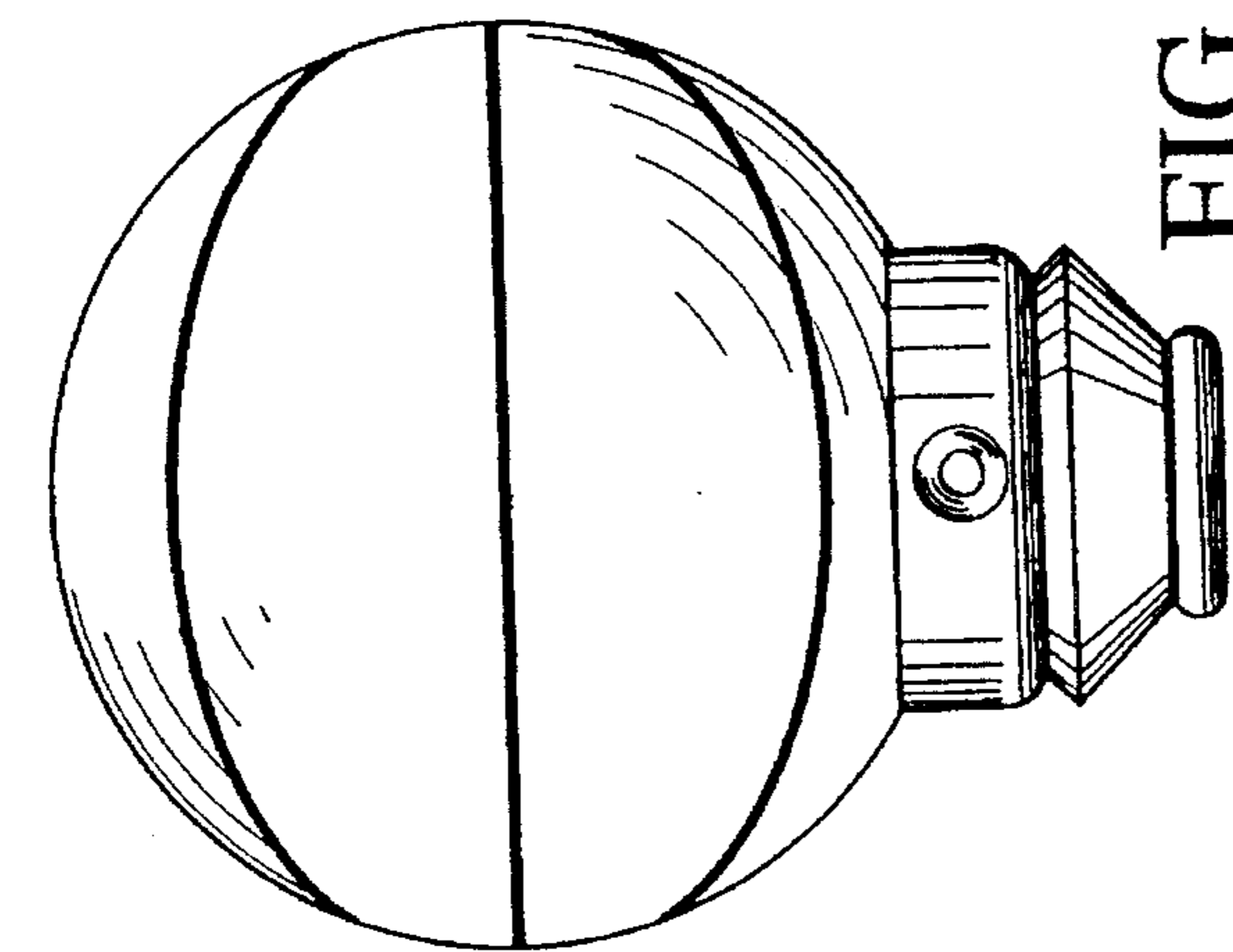


FIG. 18

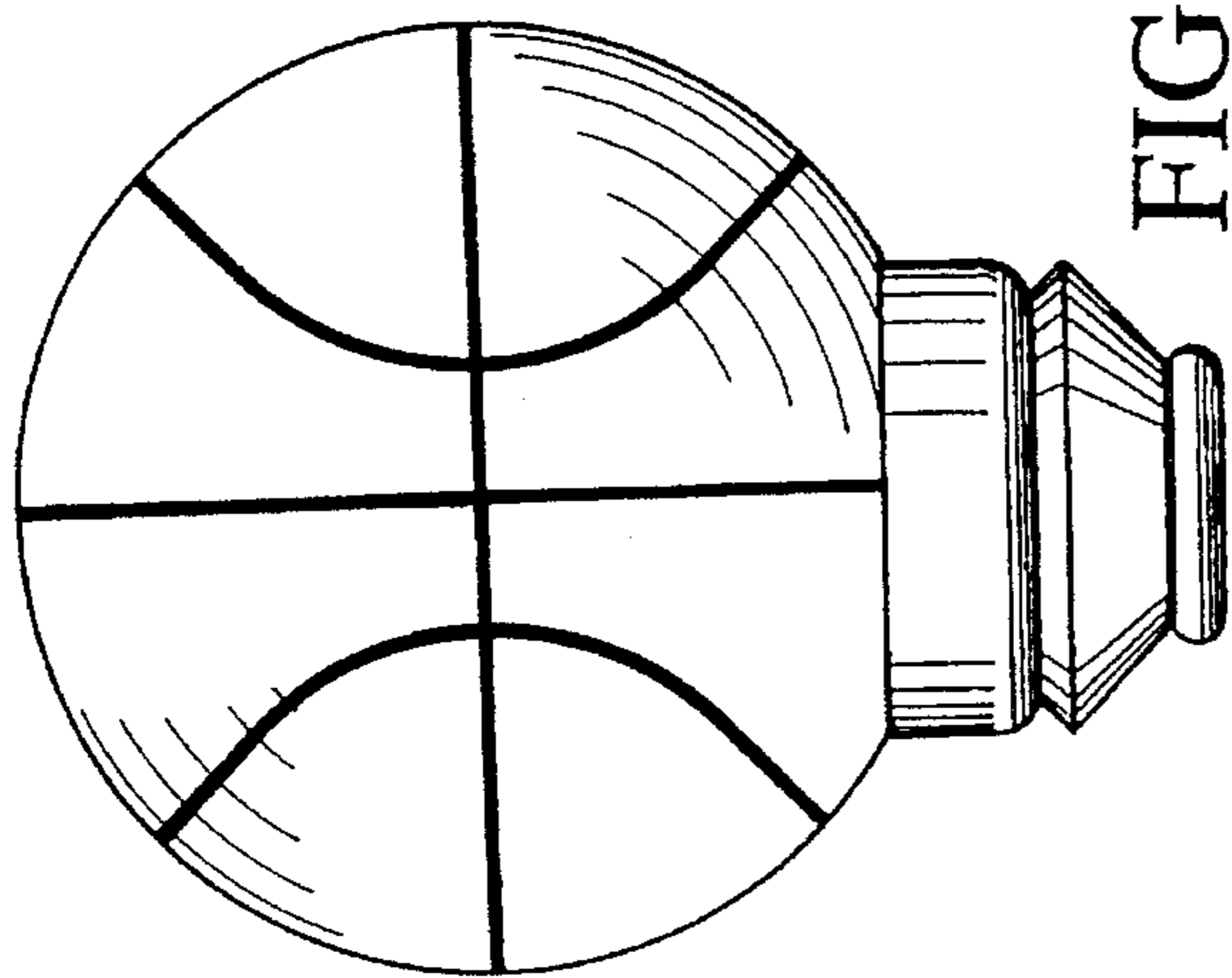


FIG. 19

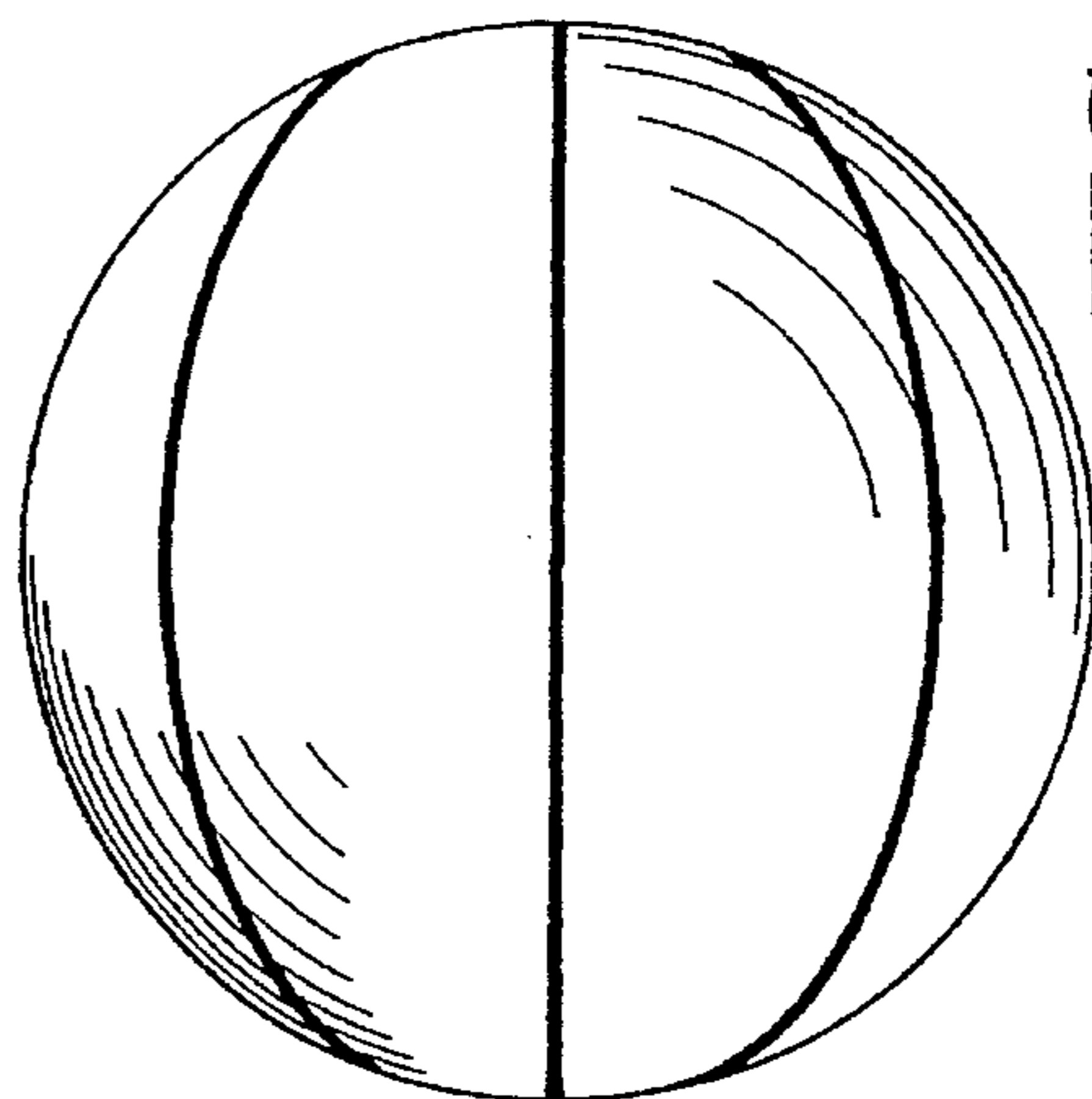


FIG. 20

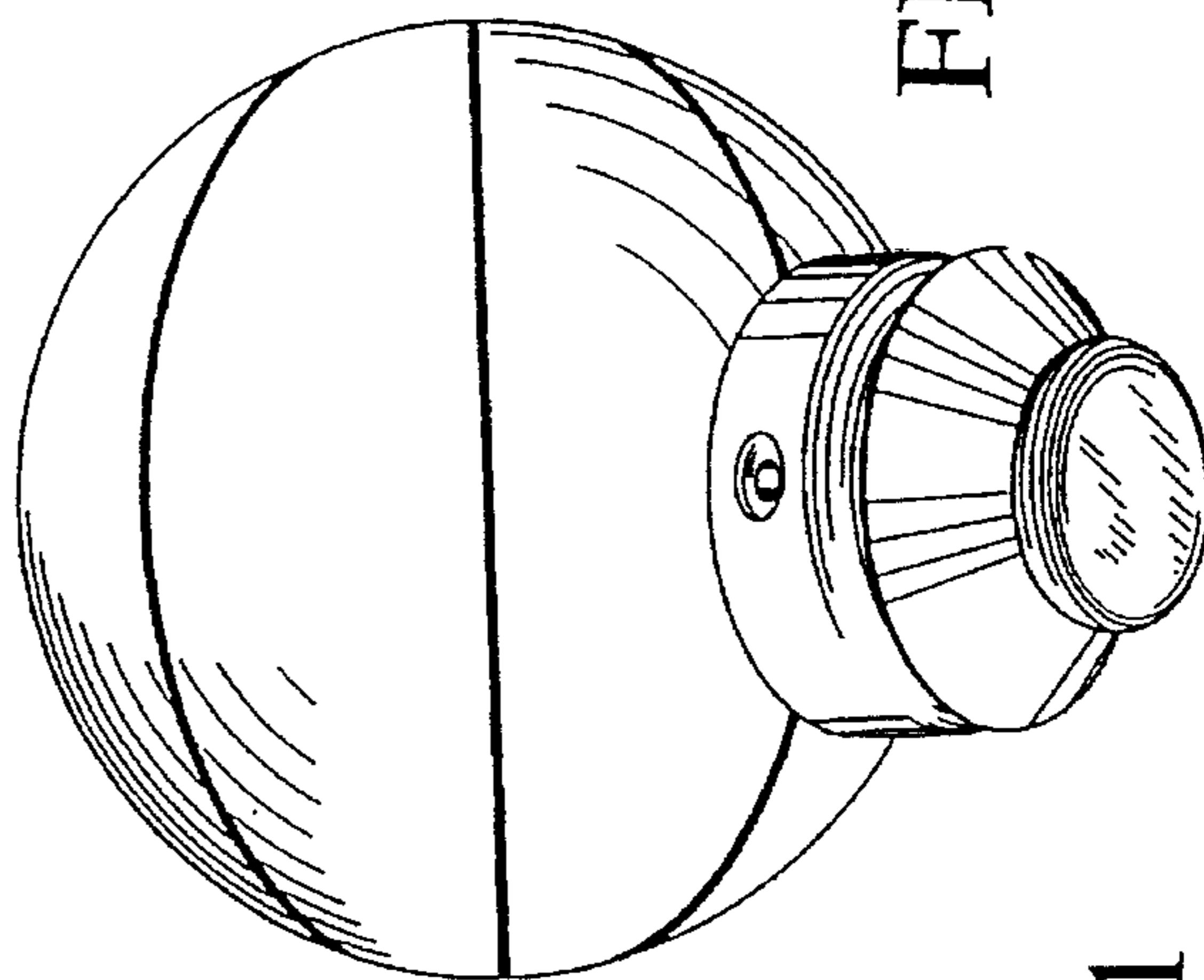


FIG. 21

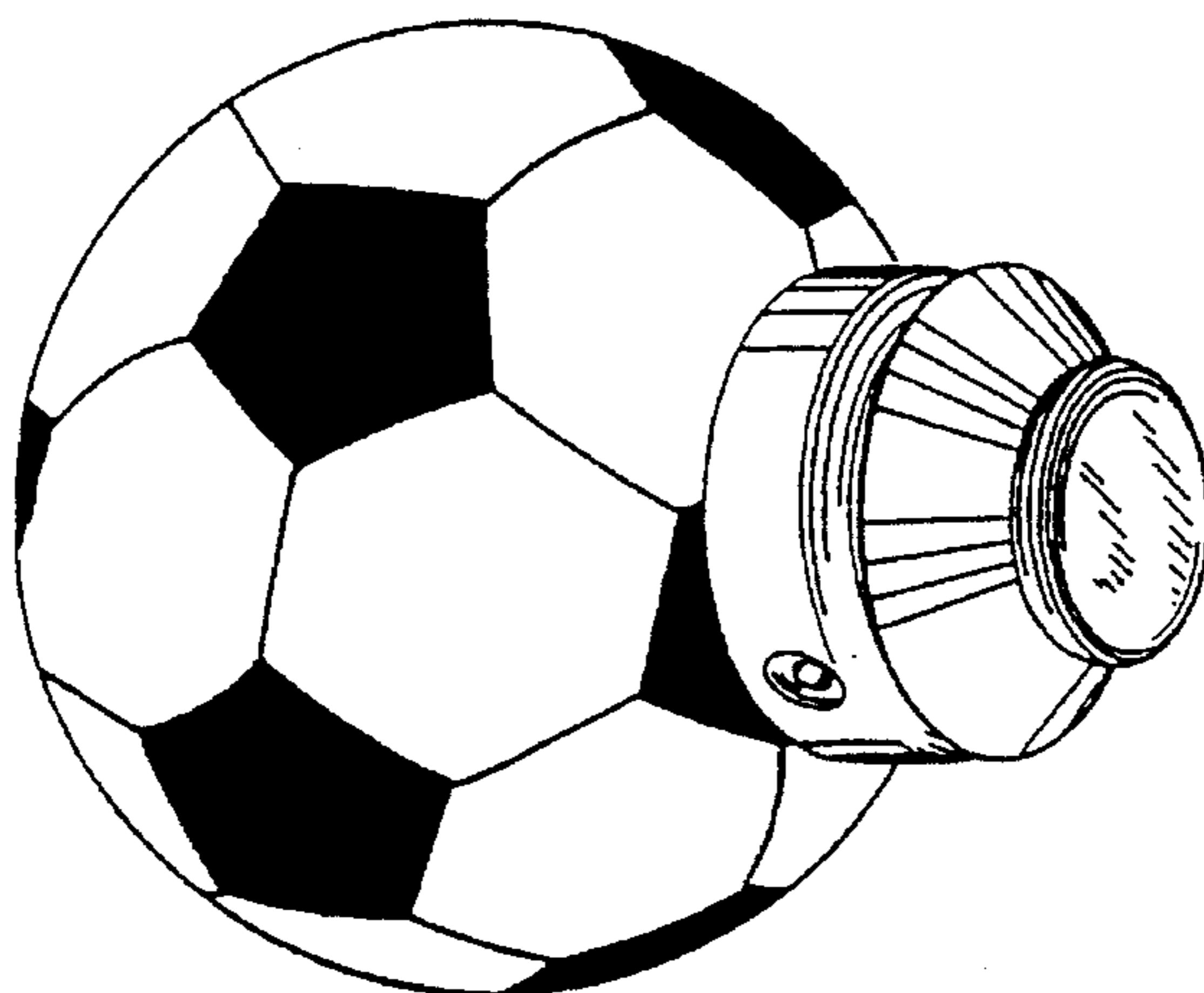


FIG. 22

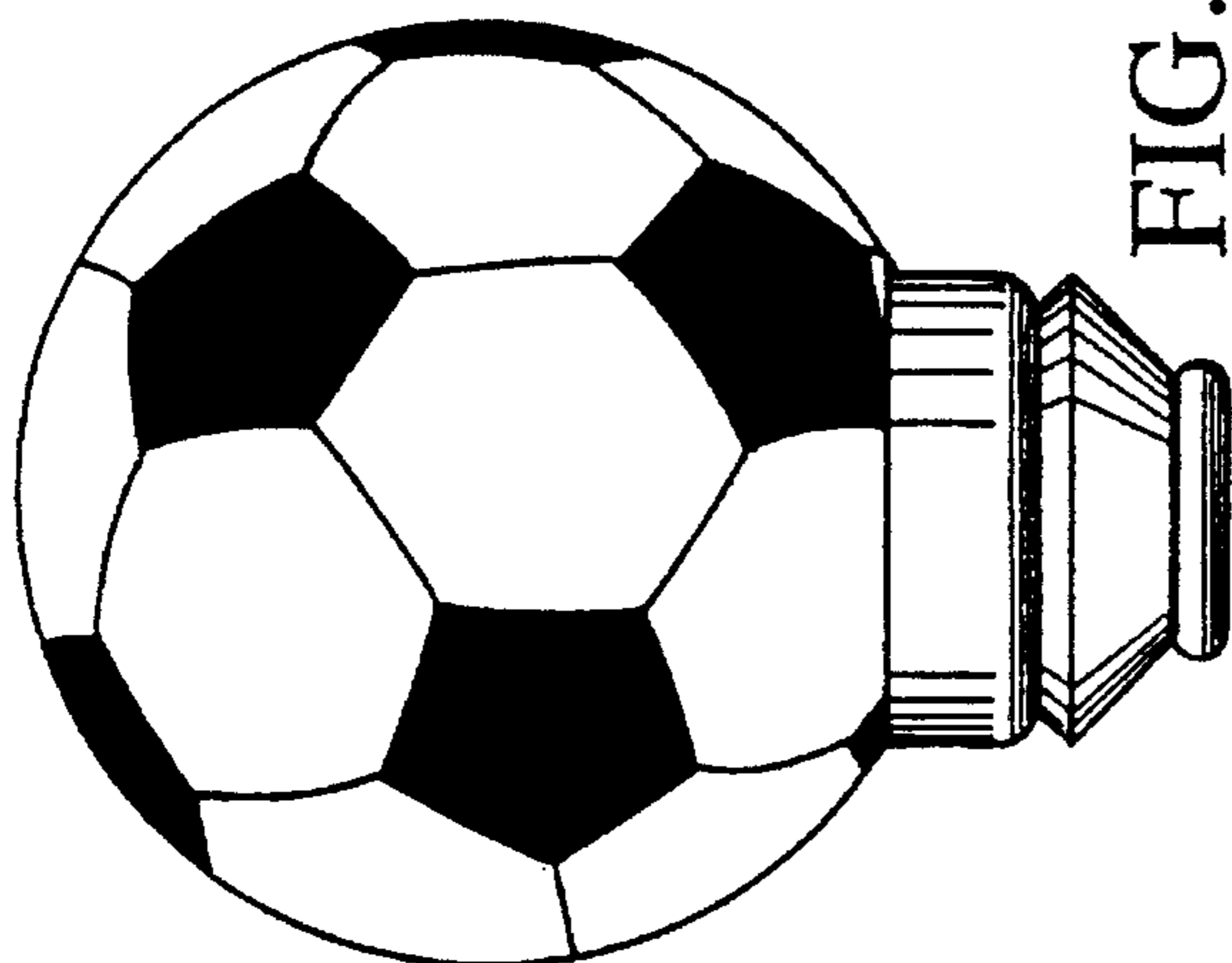


FIG. 24

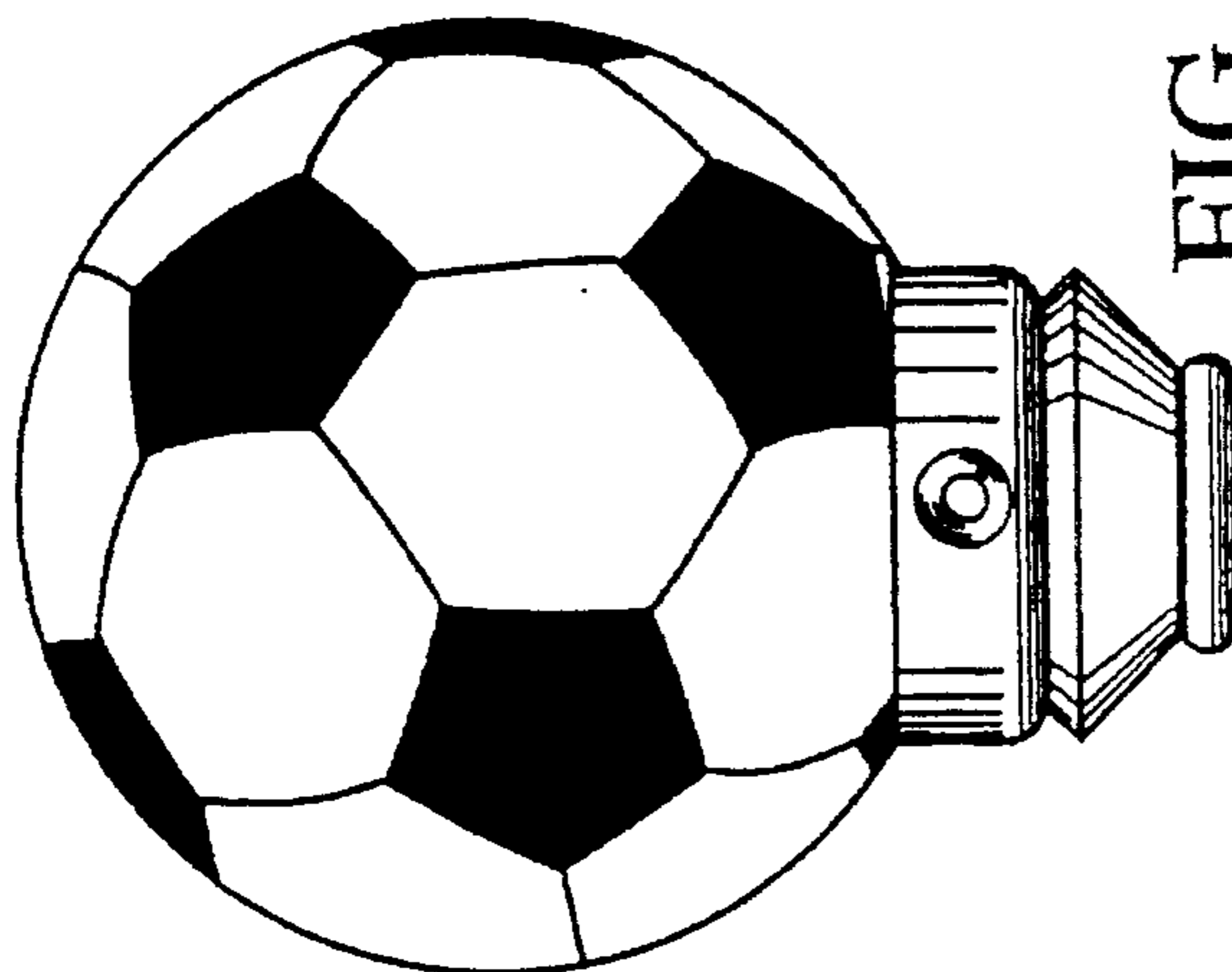


FIG. 23

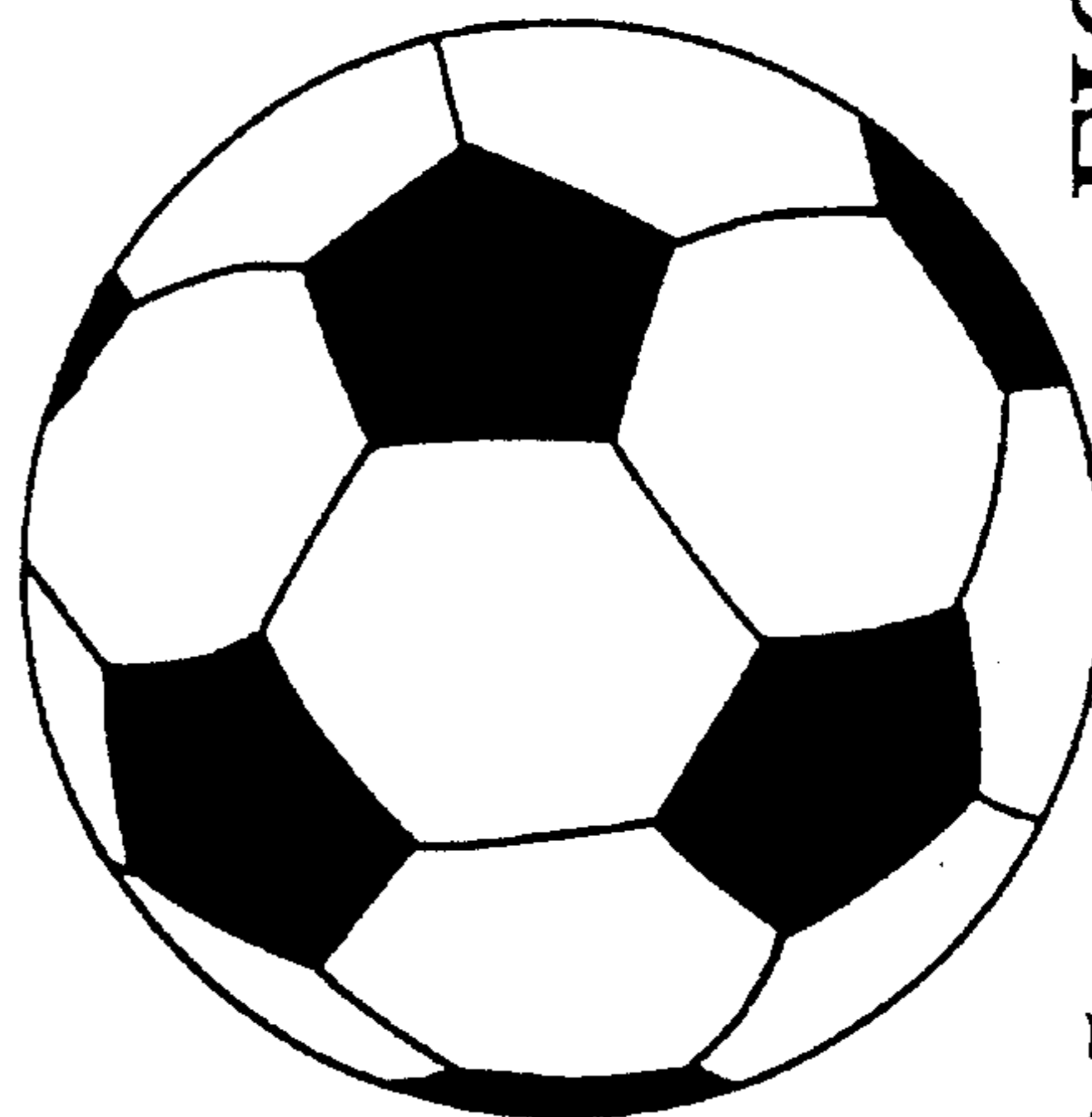


FIG. 26

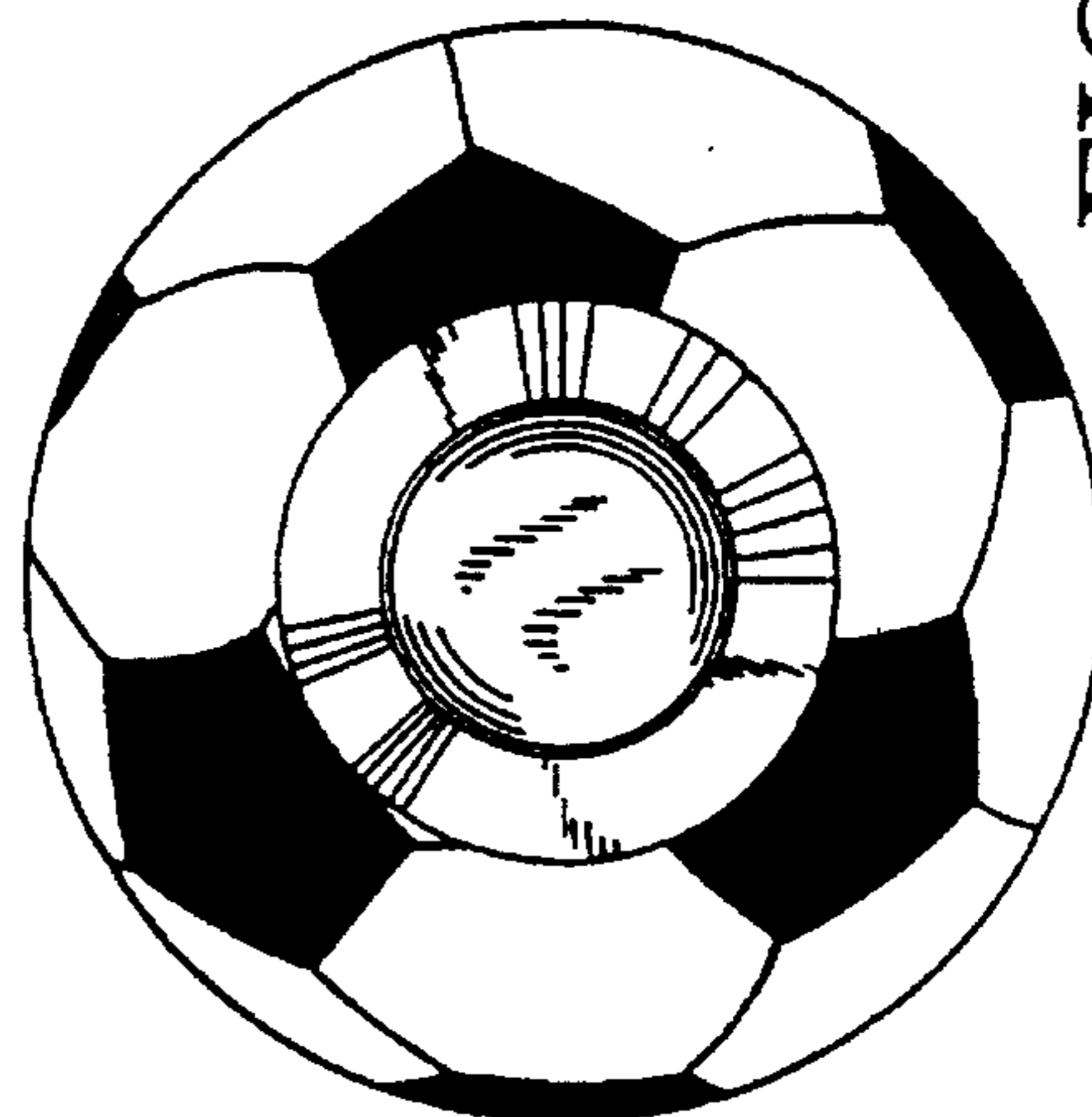


FIG. 25

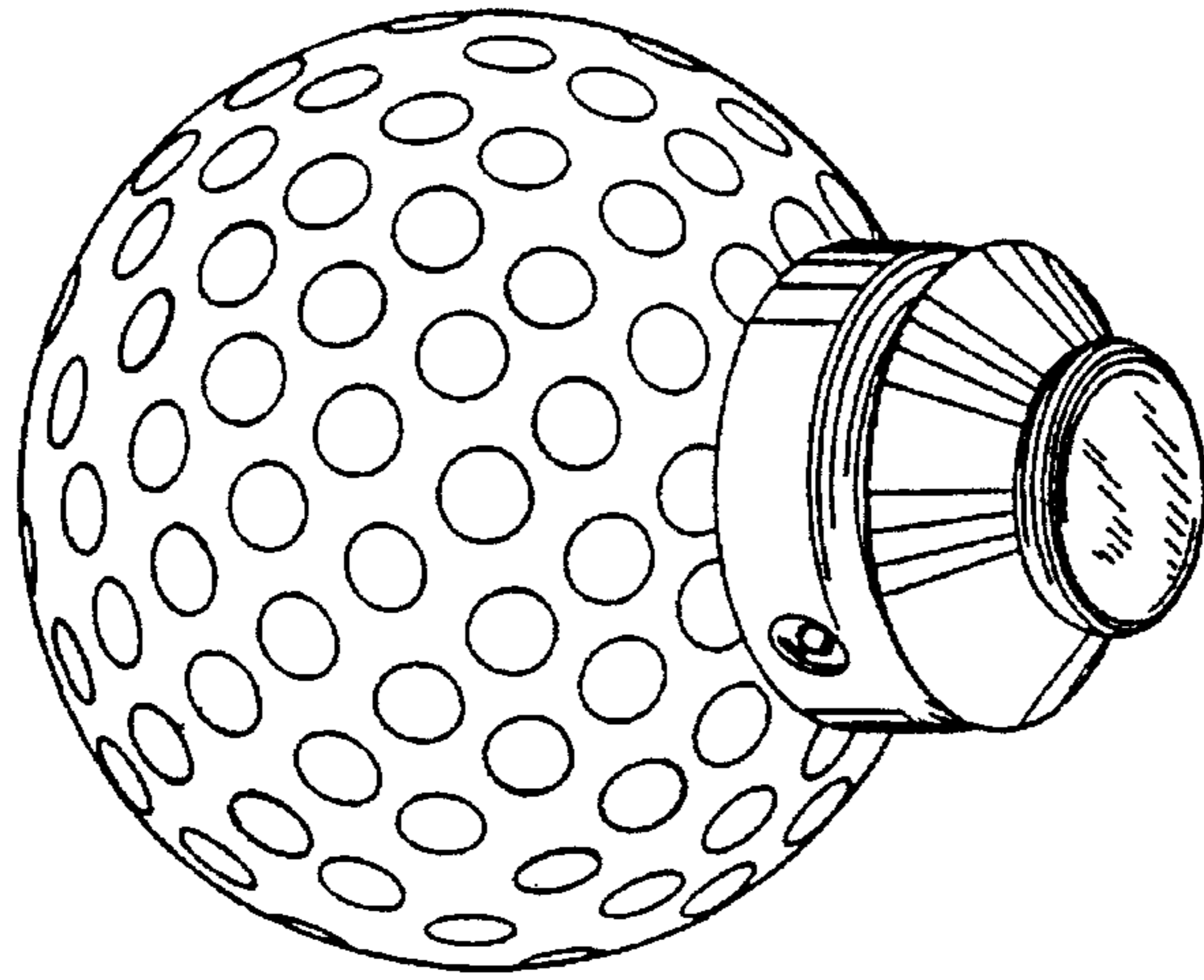


FIG. 27

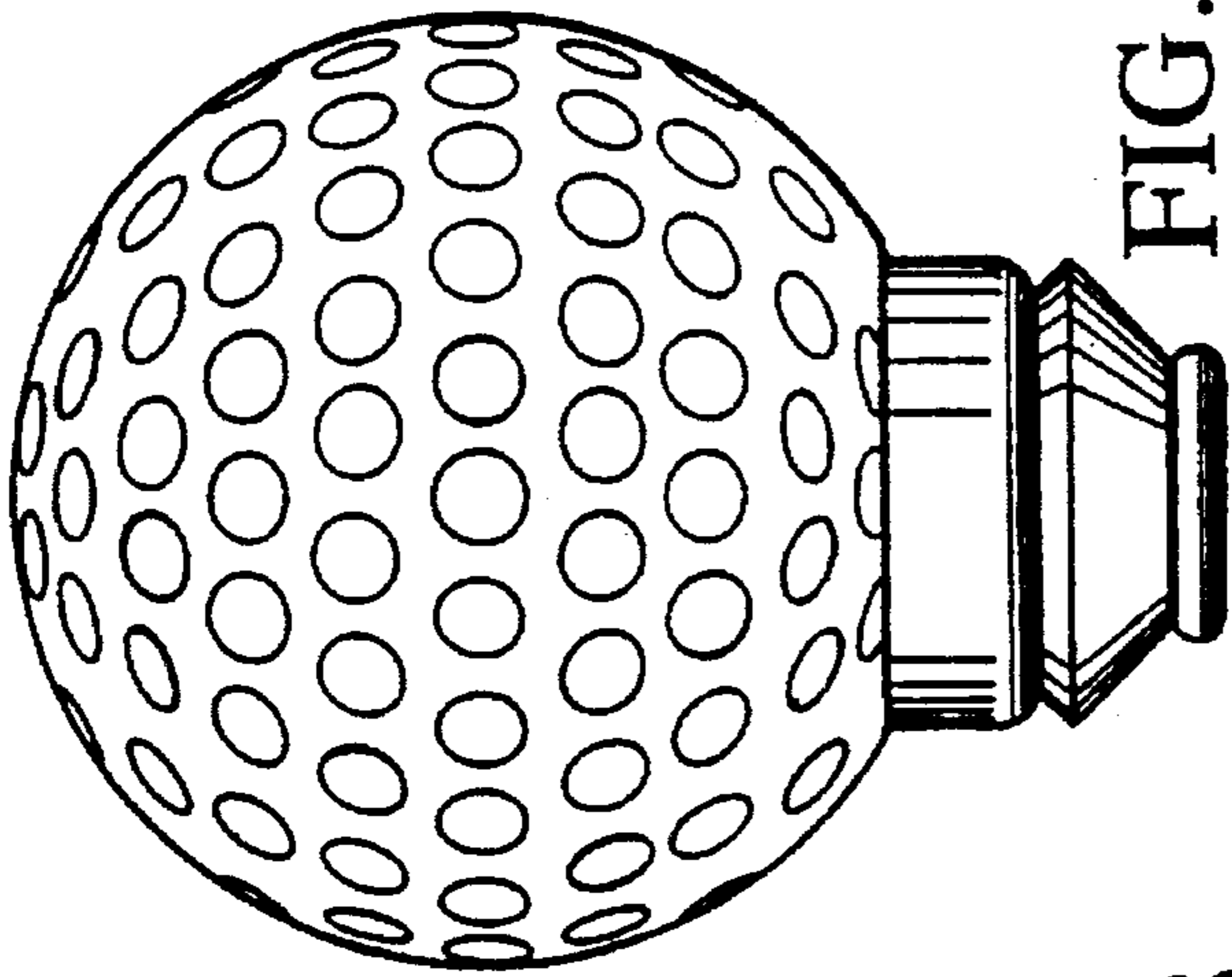


FIG. 29

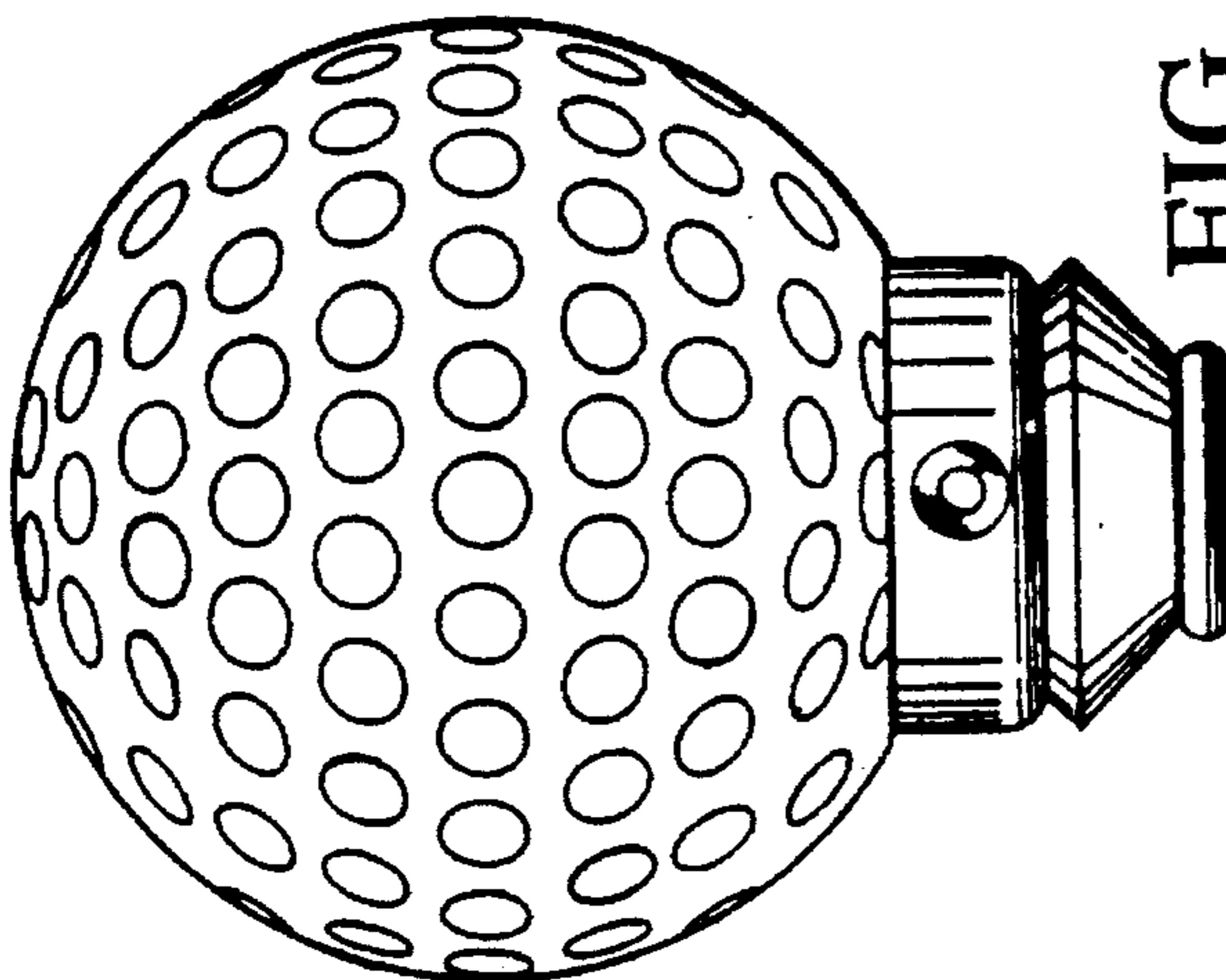


FIG. 28

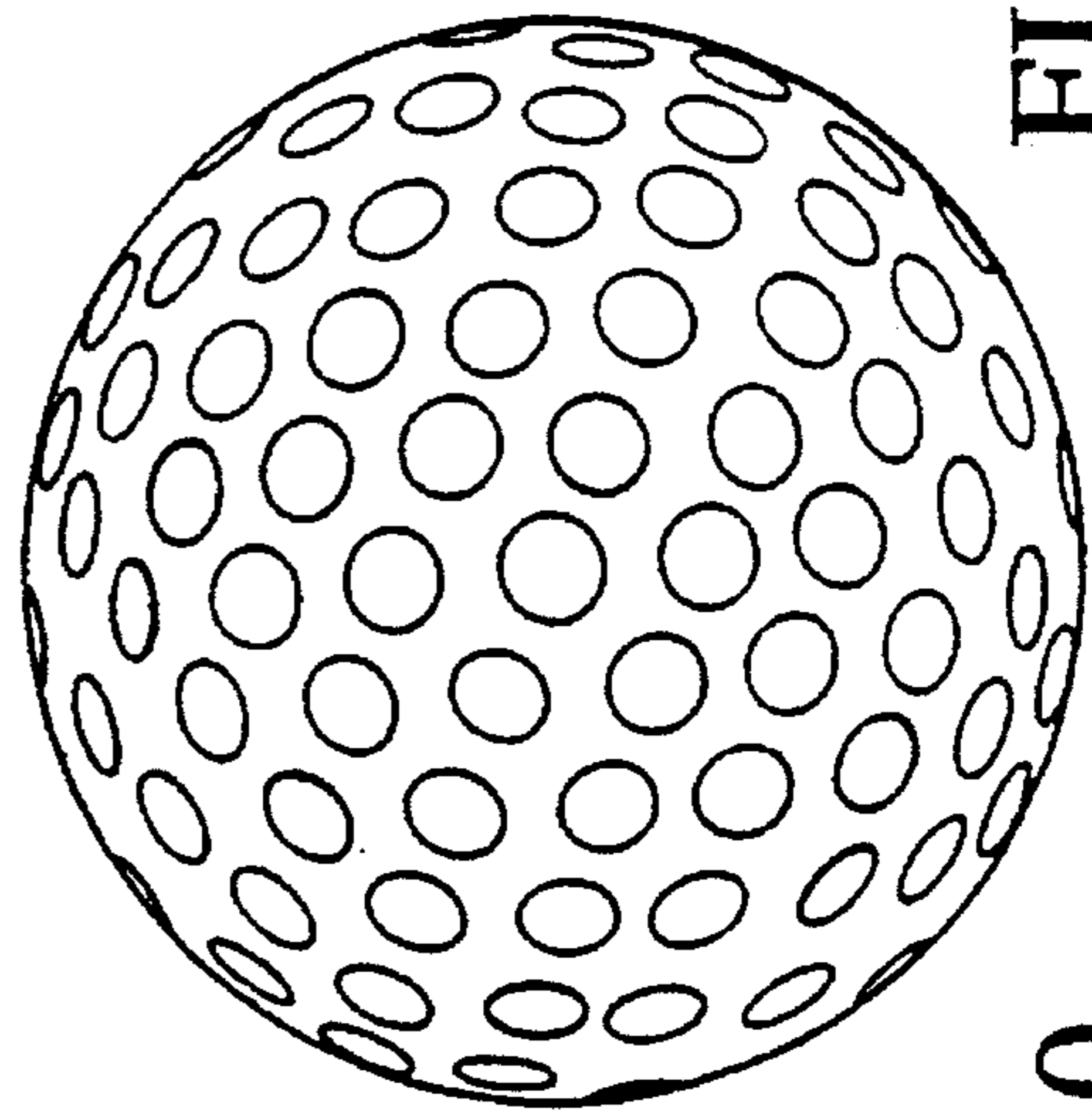


FIG. 31

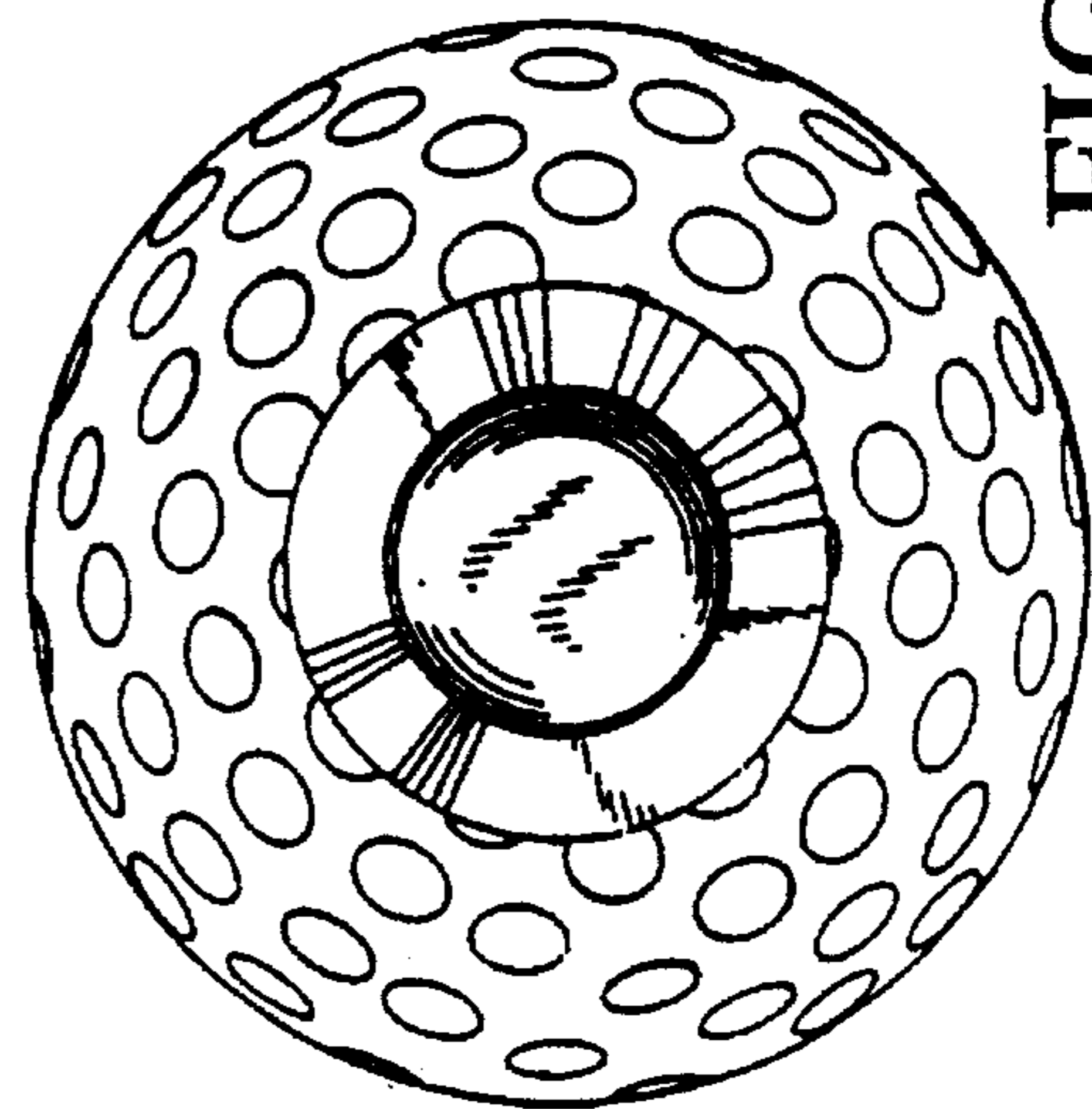


FIG. 30

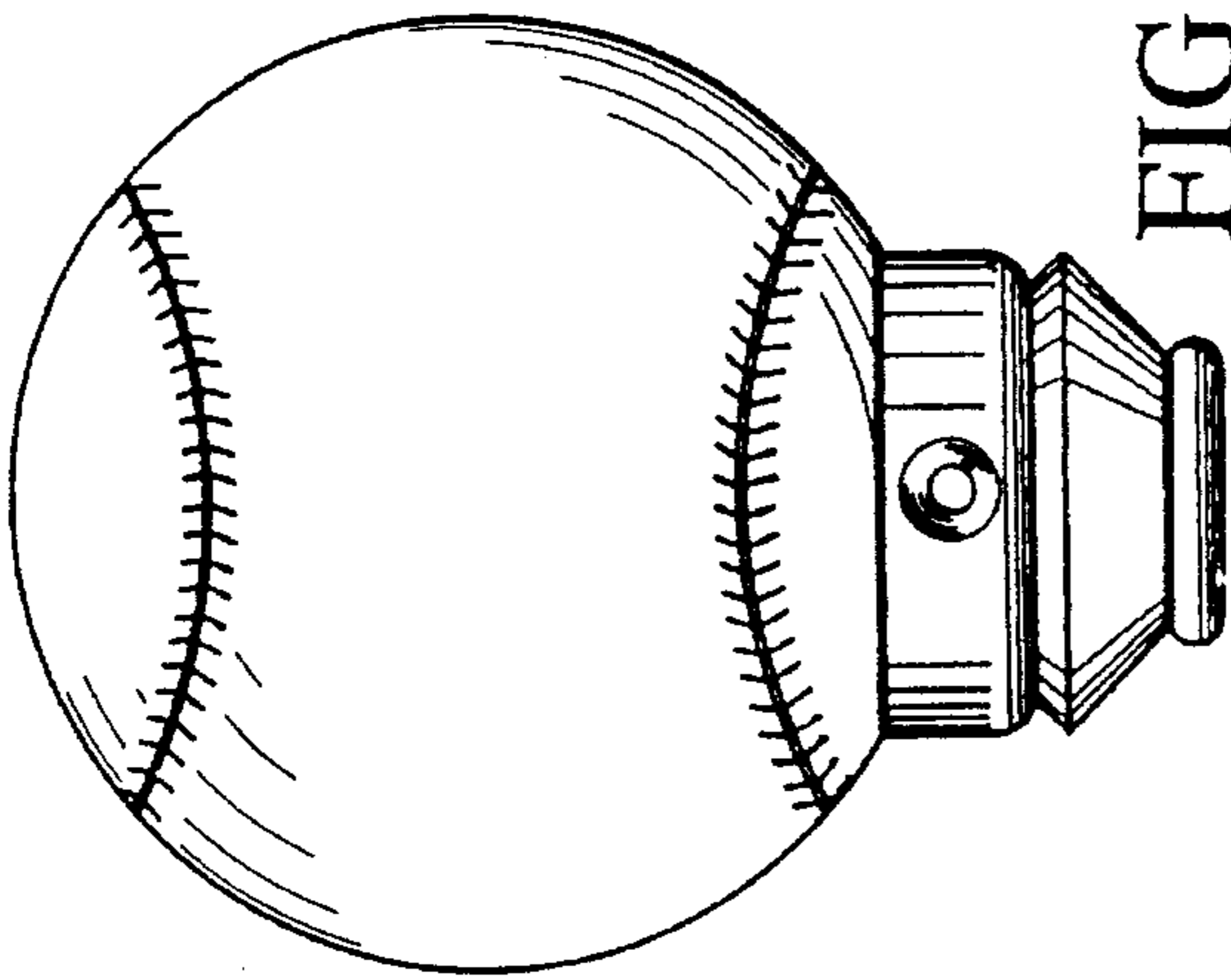


FIG. 33

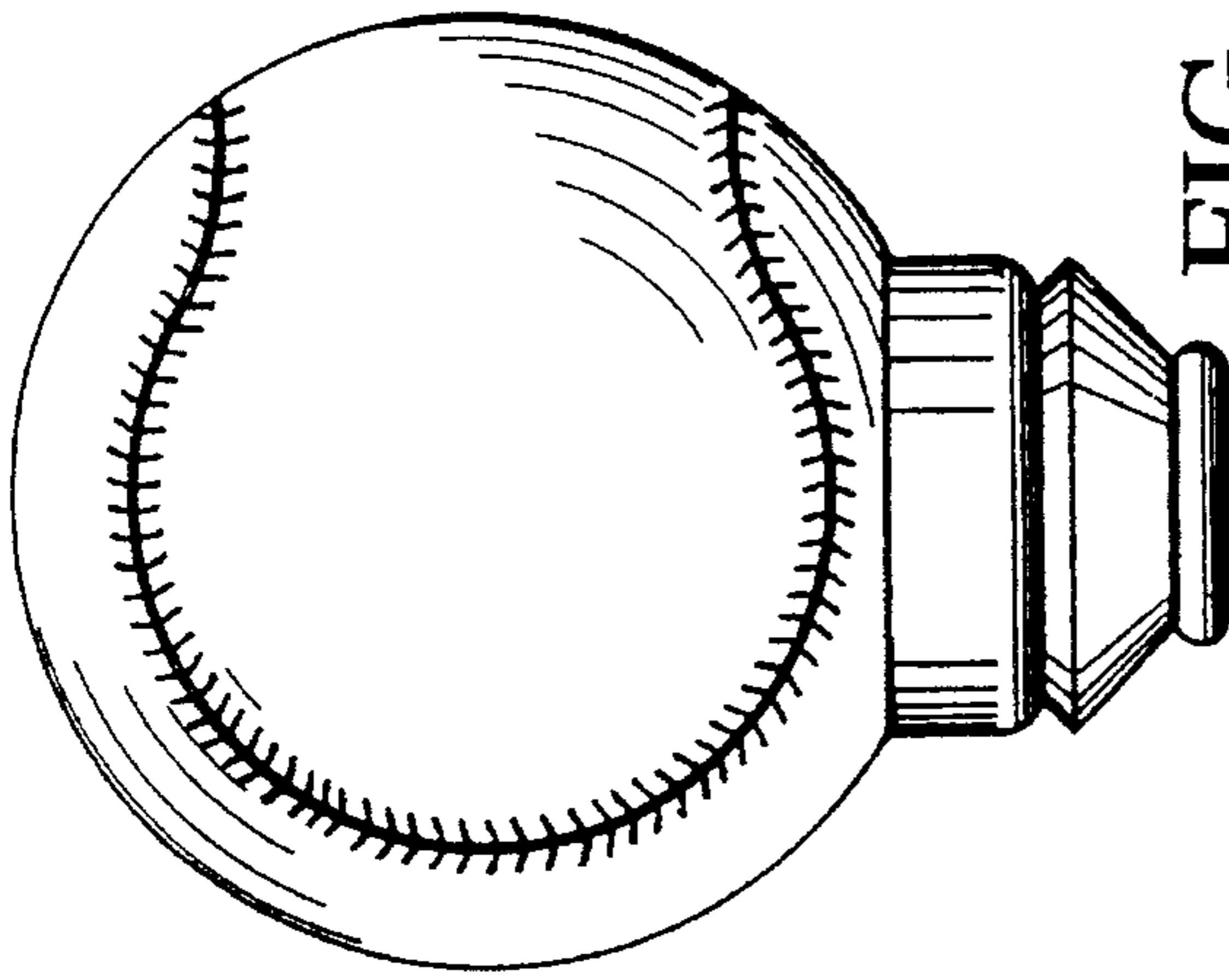


FIG. 34

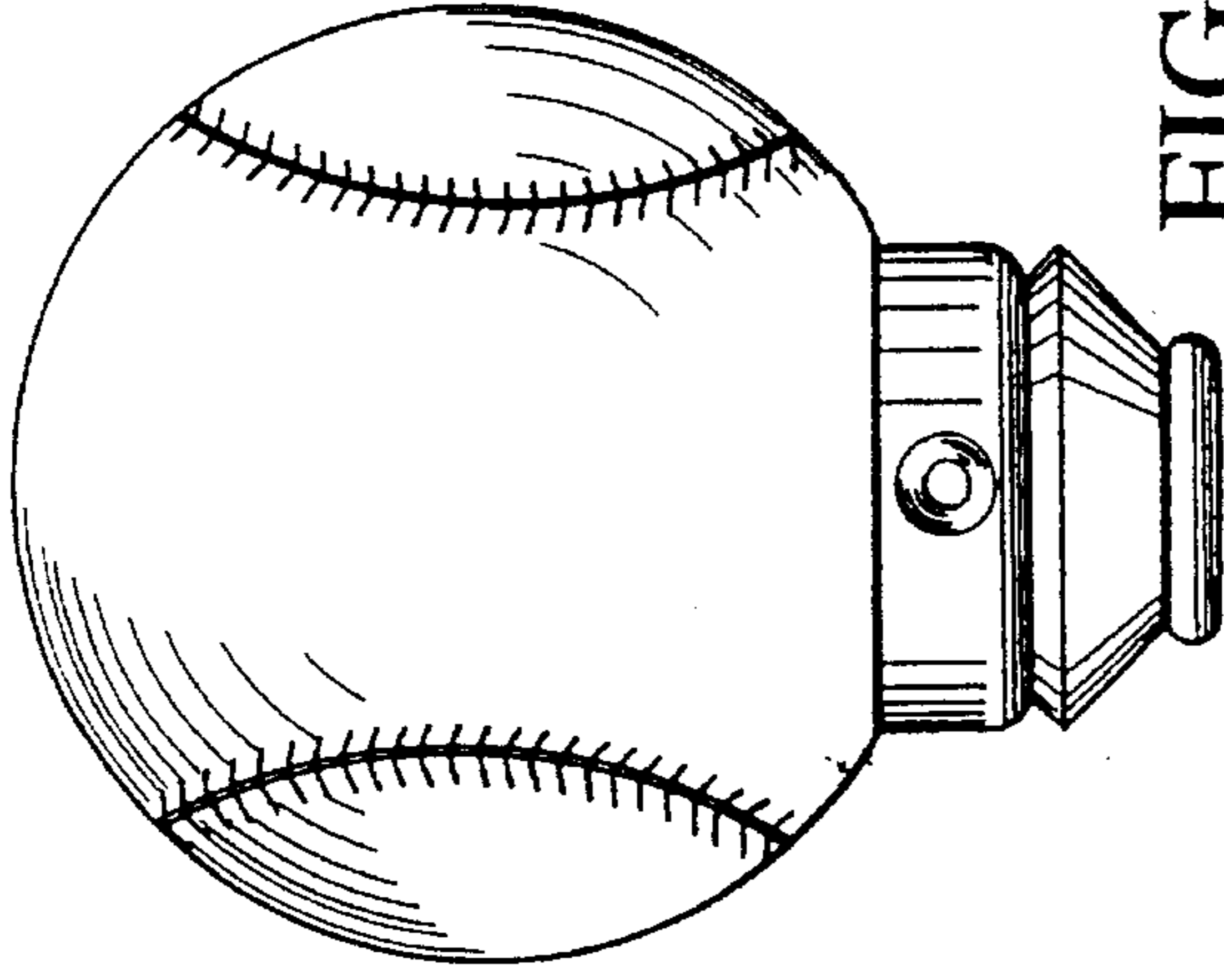


FIG. 35

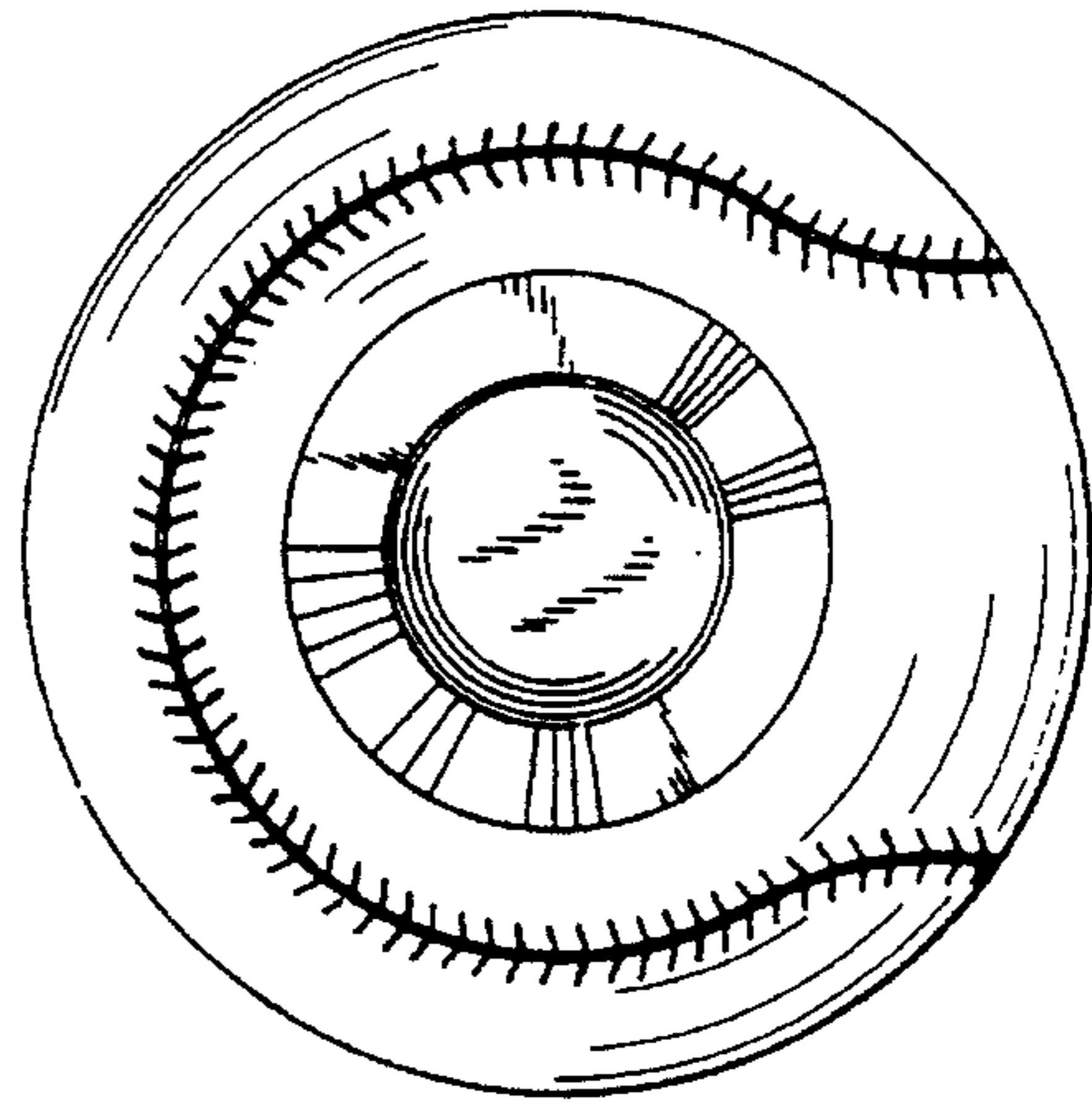


FIG. 36

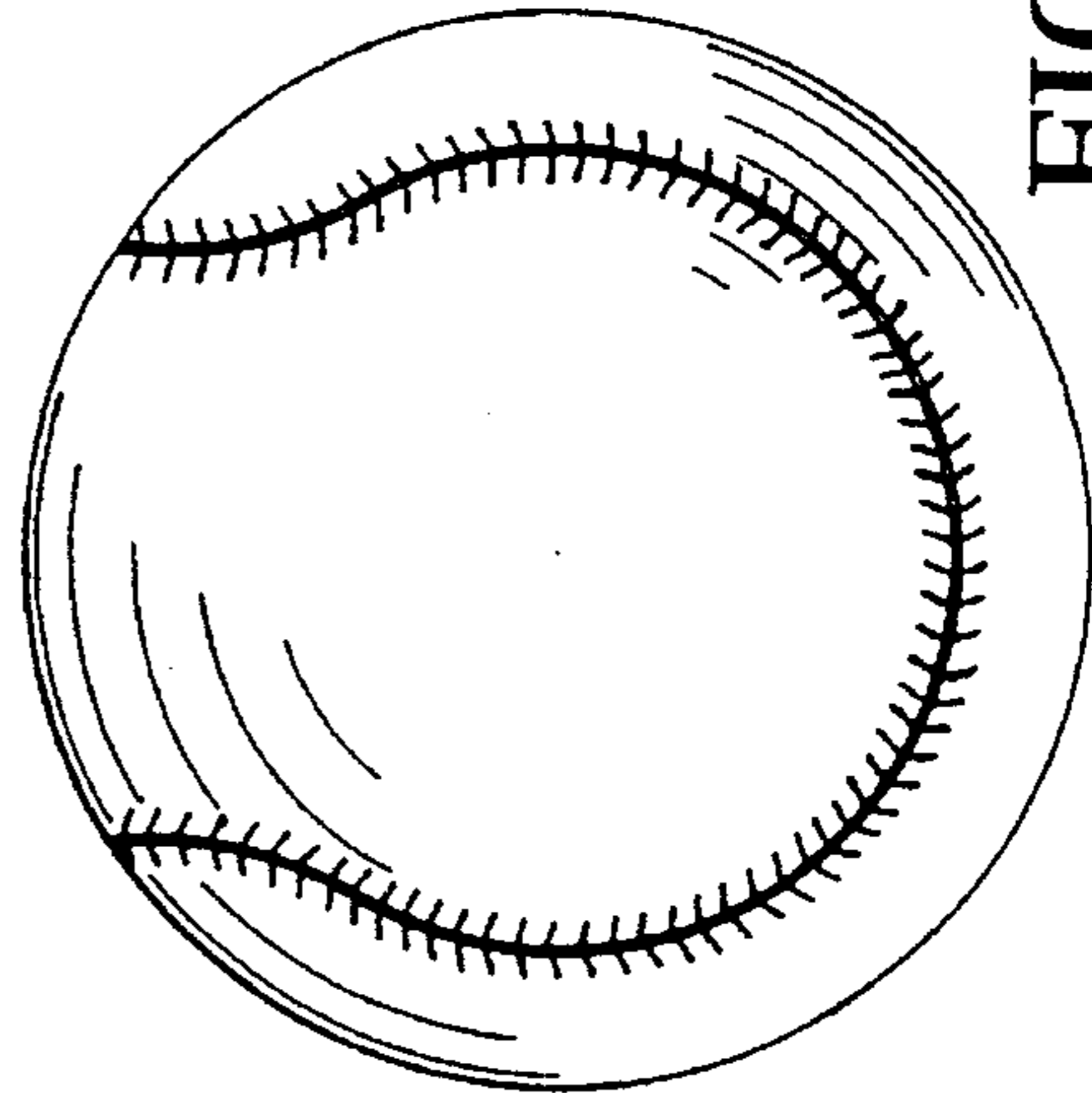


FIG. 37

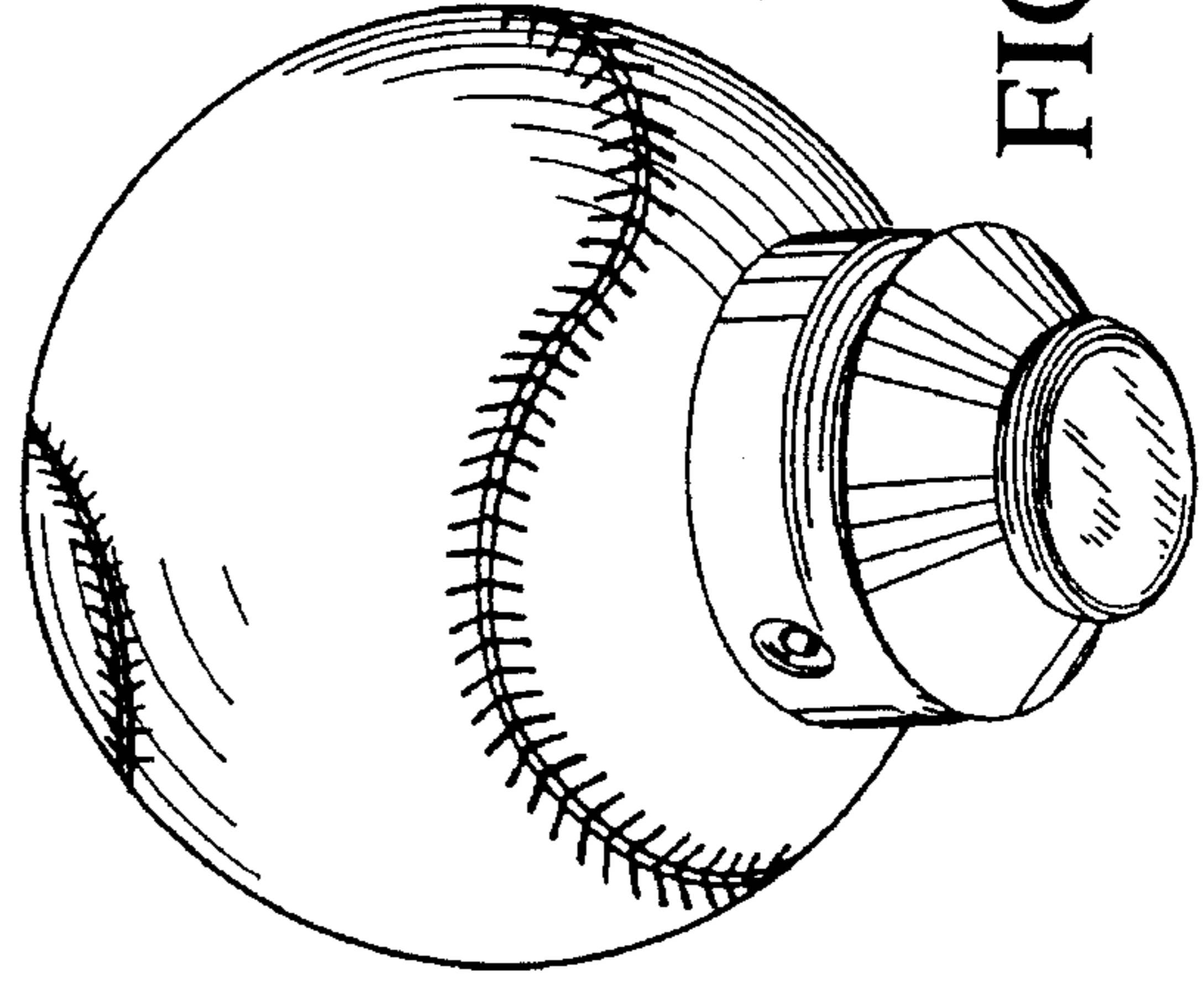


FIG. 32