



US00D373308S

United States Patent [19]

[11] Patent Number: **Des. 373,308**

Chapman et al.

[45] Date of Patent: ****Sep. 3, 1996**

[54] **DISPLAY HOLDER**

4,687,129 8/1987 Cugley 206/470 X
5,337,099 8/1994 Tasaka et al. 354/76

[75] Inventors: **Steven S. Chapman, Corfu; Daniel C. Jackson, Rochester, both of N.Y.**

OTHER PUBLICATIONS

[73] Assignee: **Eastman Kodak Company, Rochester, N.Y.**

Modern Packaging, 1972-73, p. 104.
Modern Packaging, 1963, p. 334.
Packaging, 1986, p. 53.

[**] Term: **14 Years**

Primary Examiner—Prabhakar G. Deshmukh
Attorney, Agent, or Firm—Roger A. Fields

[21] Appl. No.: **28,958**

[57] CLAIM

[22] Filed: **Sep. 27, 1994**

The ornamental design for a display holder, as shown.

[52] U.S. Cl. **D9/415**

[58] Field of Search D9/415, 418, 432,
D9/414, 337; 206/461-471, 806, 495, 45.34,
44 R

DESCRIPTION

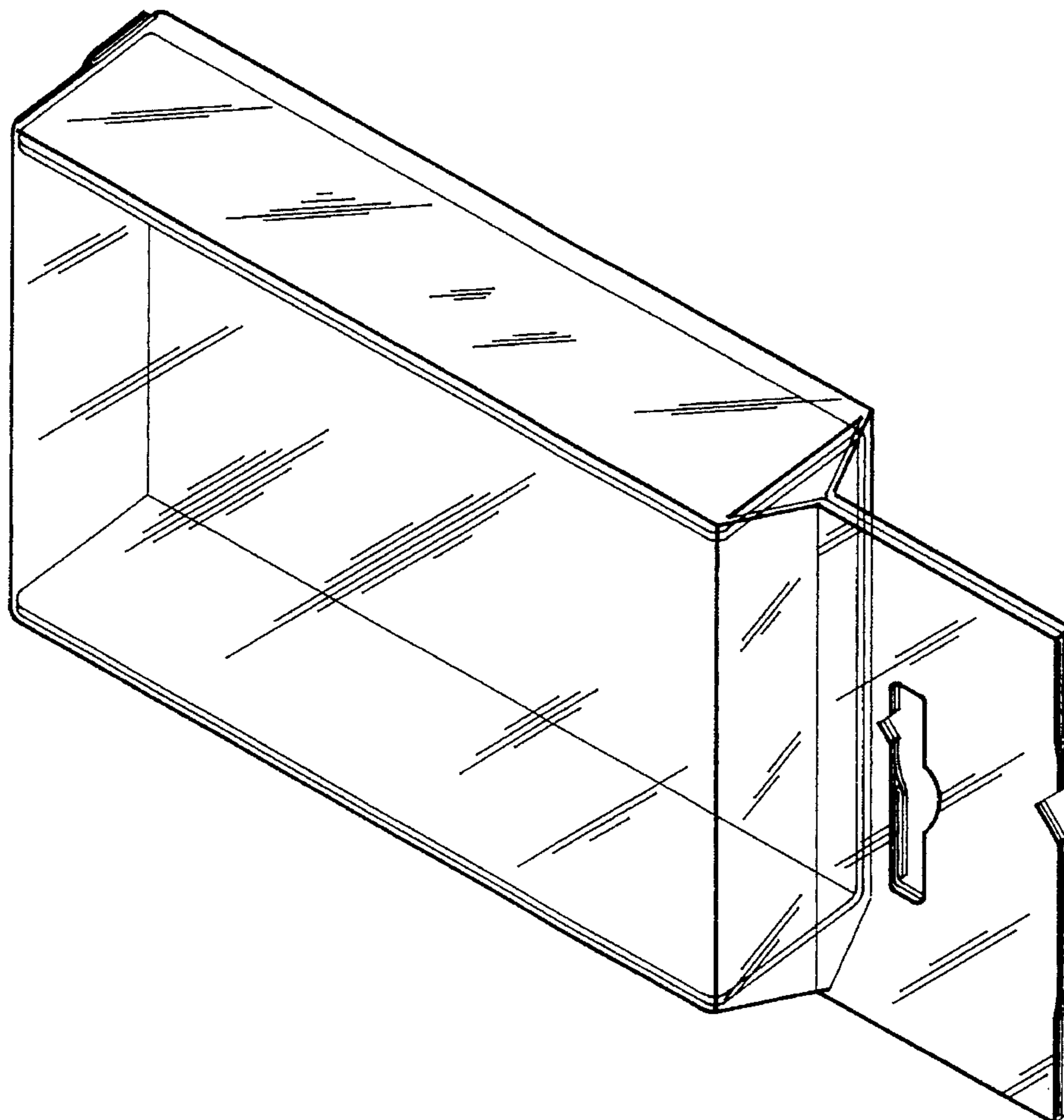
[56] References Cited

U.S. PATENT DOCUMENTS

D. 292,776 11/1987 Cugley D9/415
D. 326,814 6/1992 Arai D9/415
D. 329,600 9/1992 Lajoie D9/415 X
D. 331,361 12/1992 Langolf D9/415
D. 344,532 2/1994 Takiguchi et al. D16/208
4,632,242 12/1986 Choi et al. 206/45.3 X

FIG. 1 is a front, top, right-side perspective view of a display holder, showing our new design;
FIG. 2 is a rear, bottom, left-side perspective view thereof;
FIG. 3 is a front elevation view thereof;
FIG. 4 is a rear elevation view thereof;
FIG. 5 is a left-side elevation view thereof;
FIG. 6 is a right-side elevation view thereof;
FIG. 7 is a top plan view thereof; and,
FIG. 8 is a bottom plan view thereof.

1 Claim, 8 Drawing Sheets



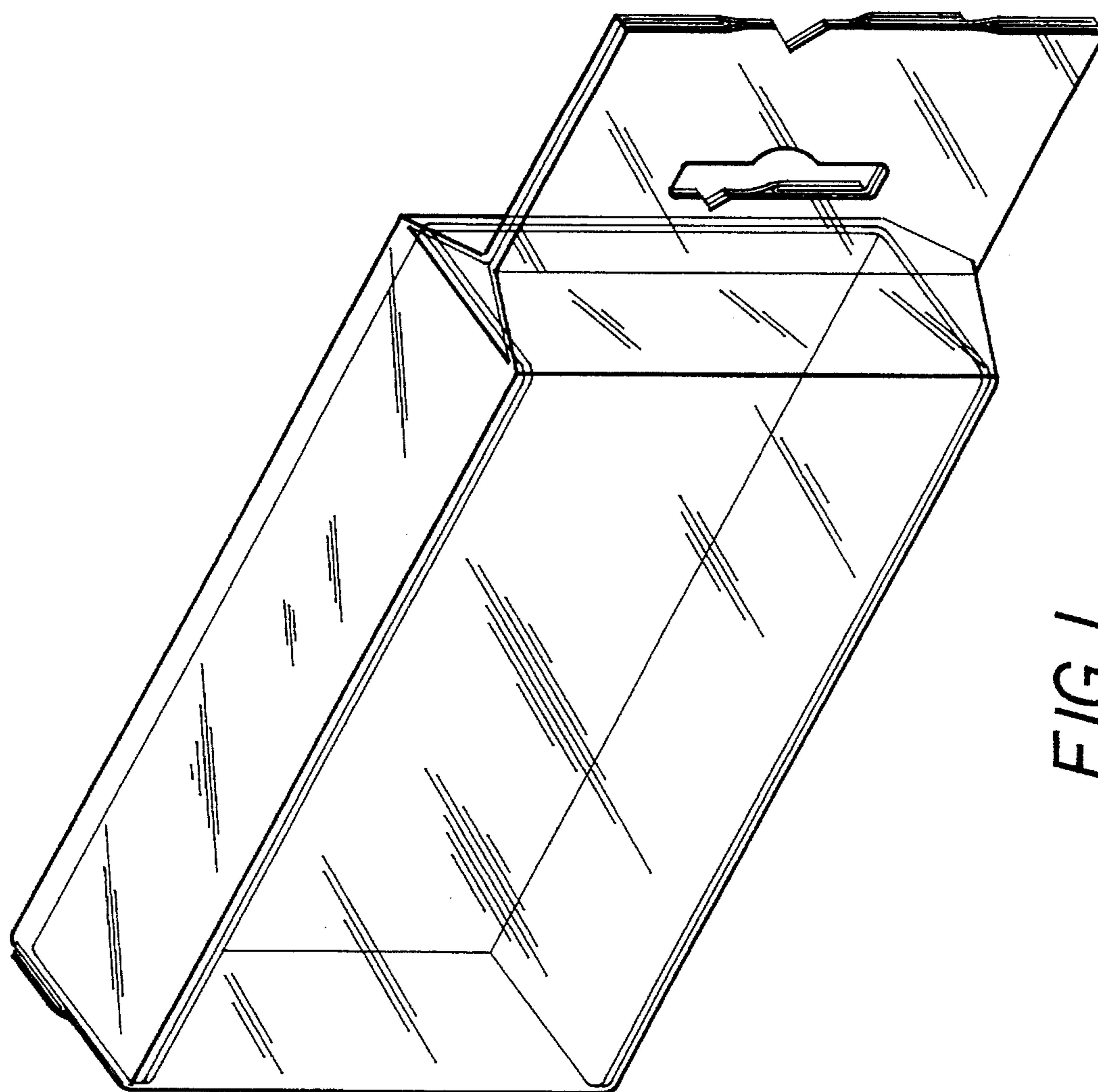


FIG. 1

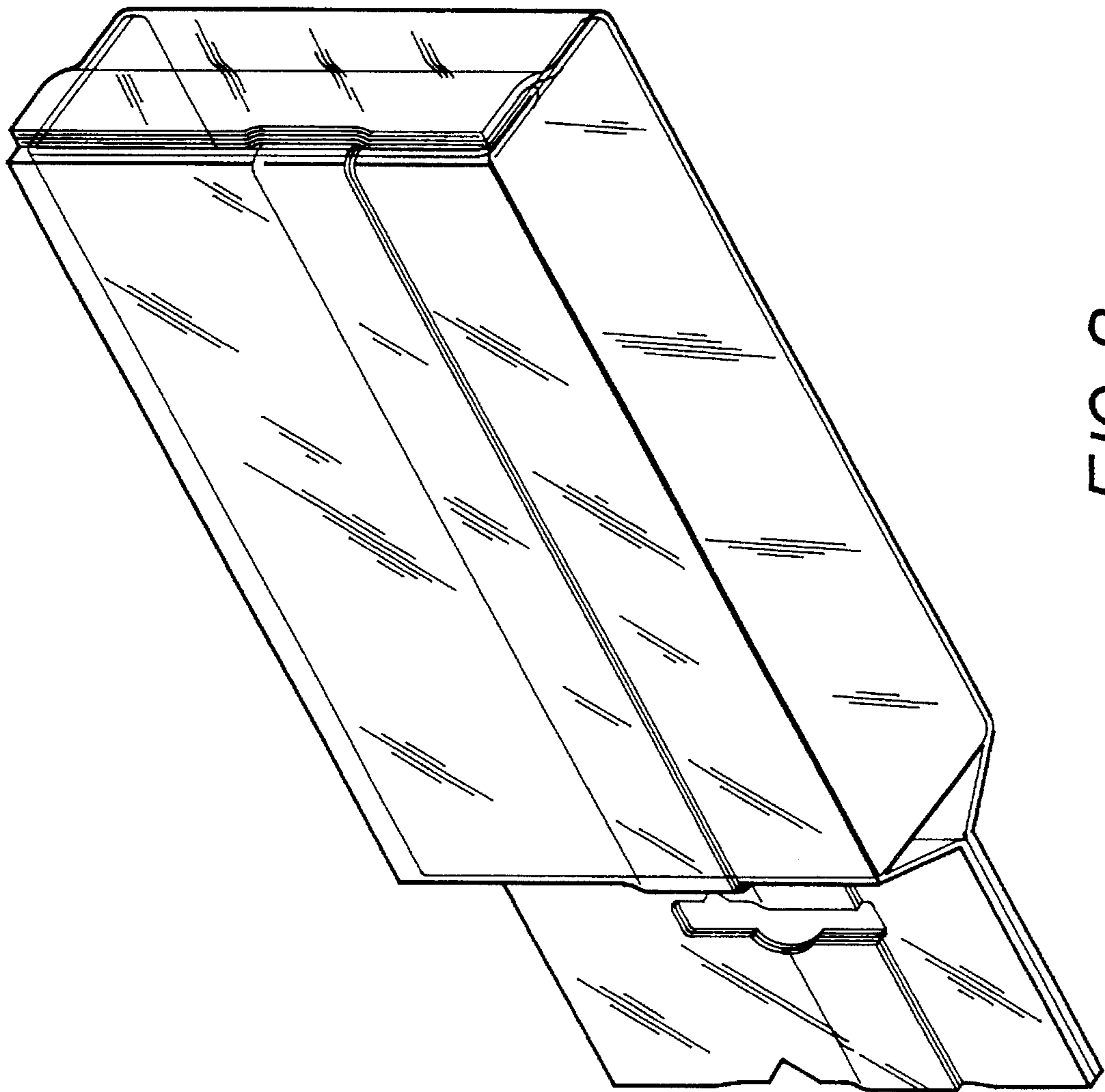


FIG. 2

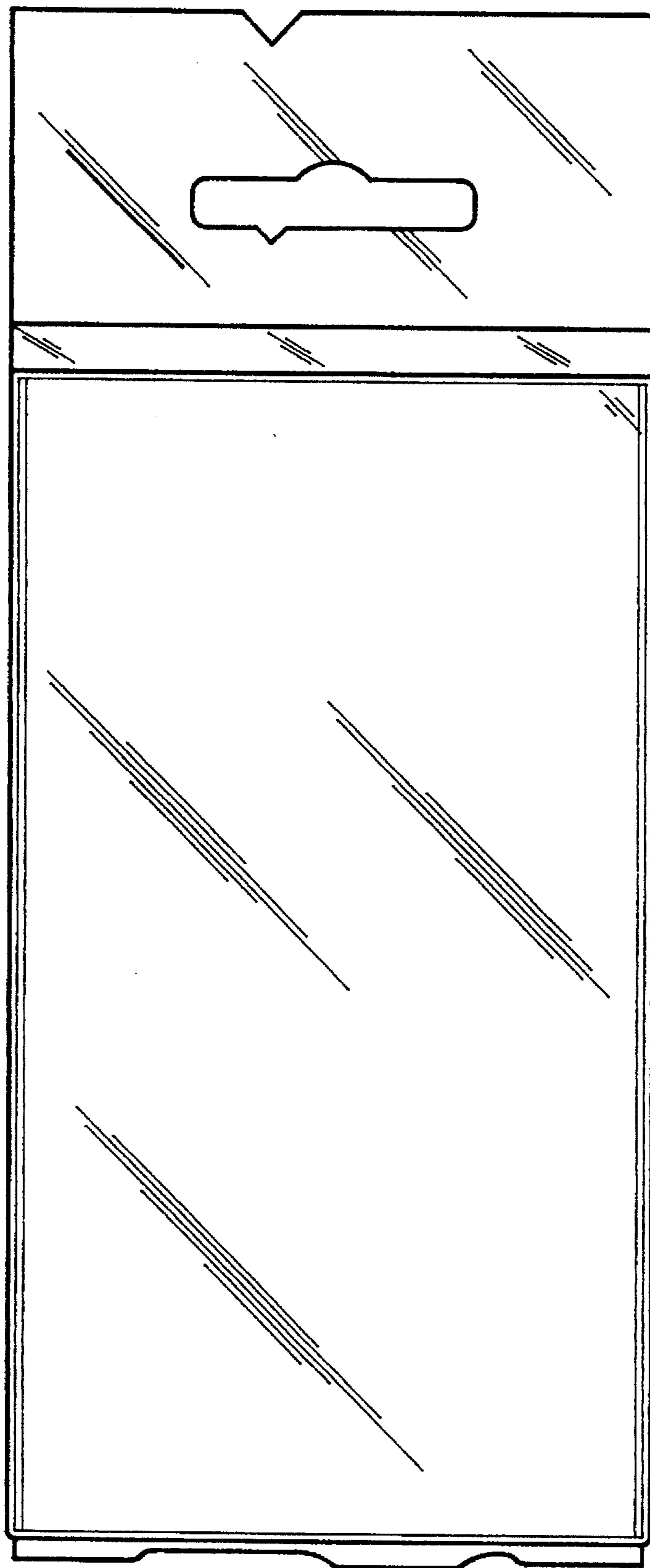


FIG. 3

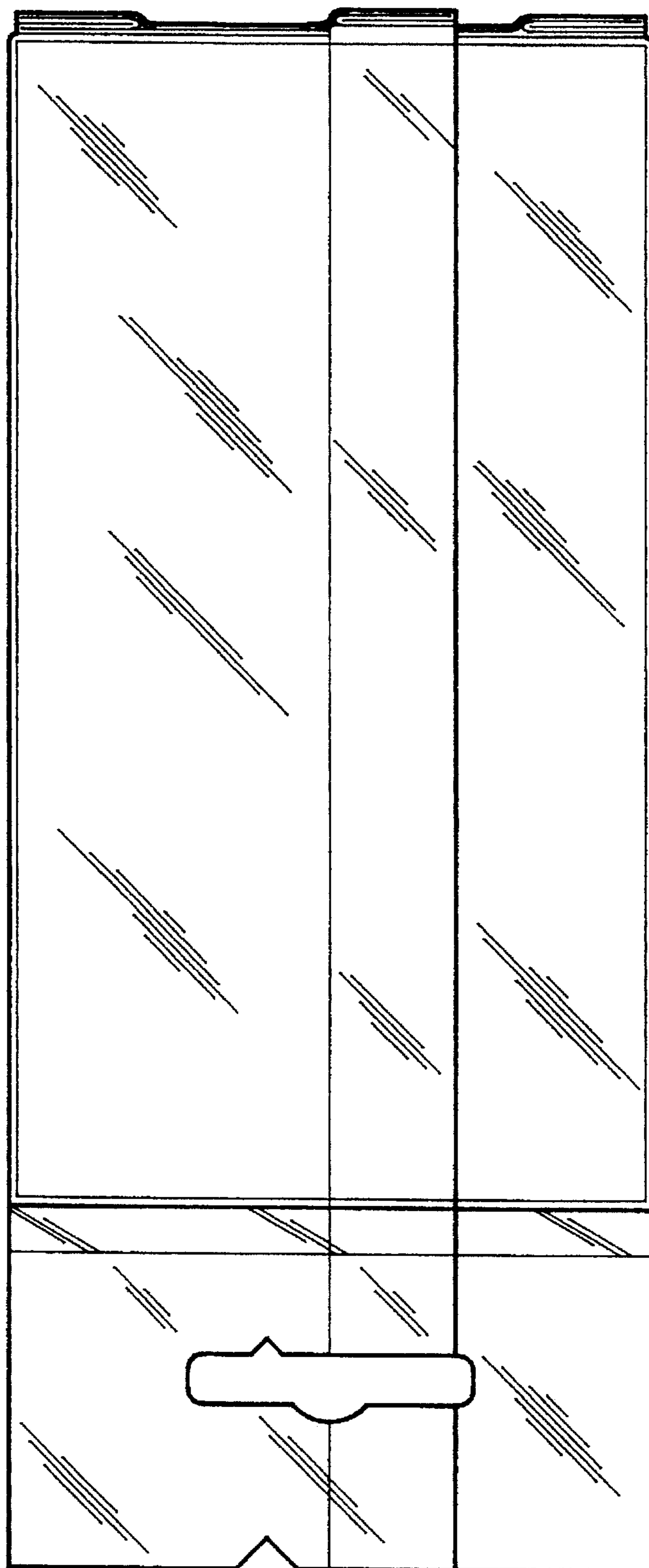


FIG. 4

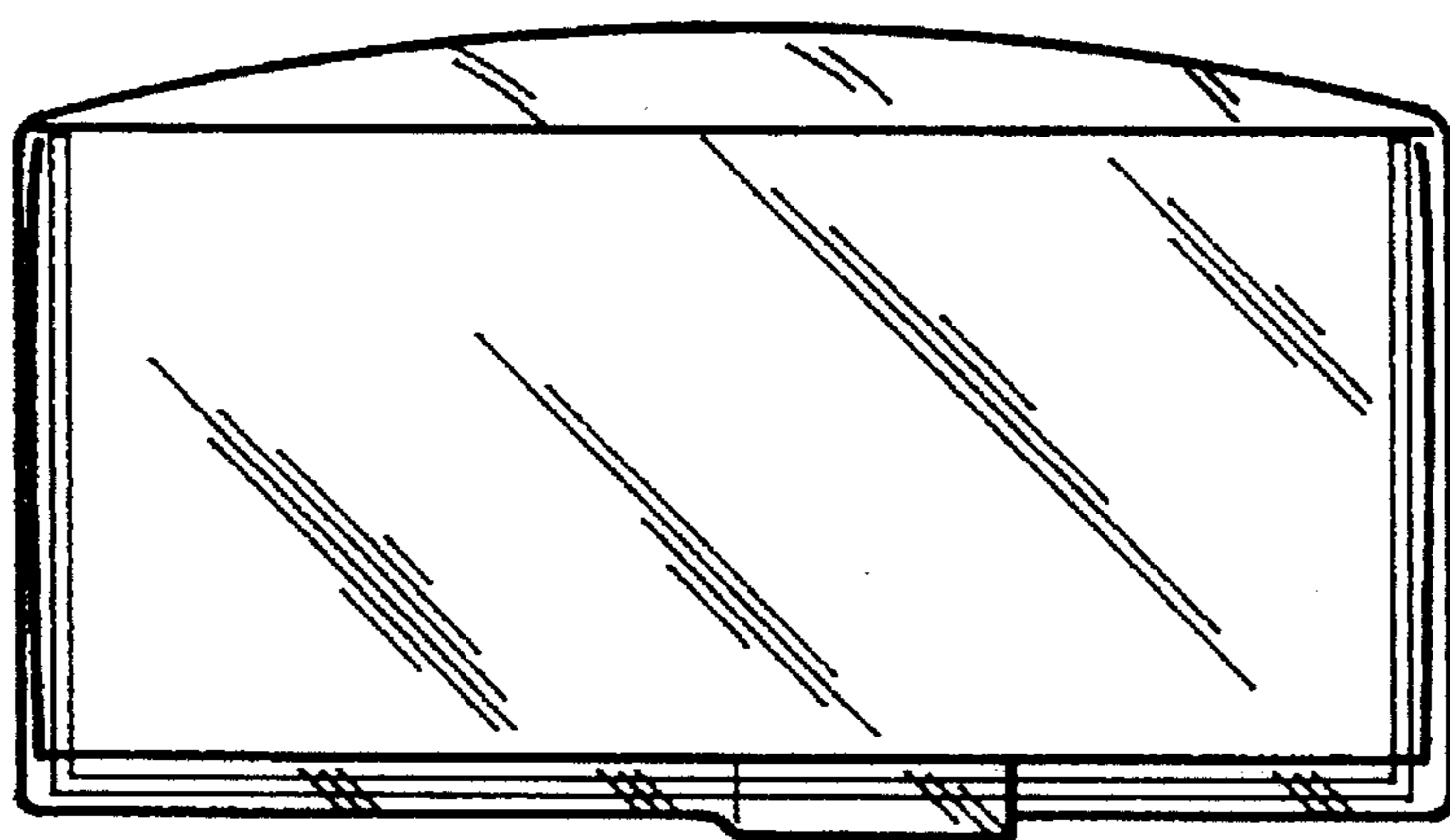


FIG. 5

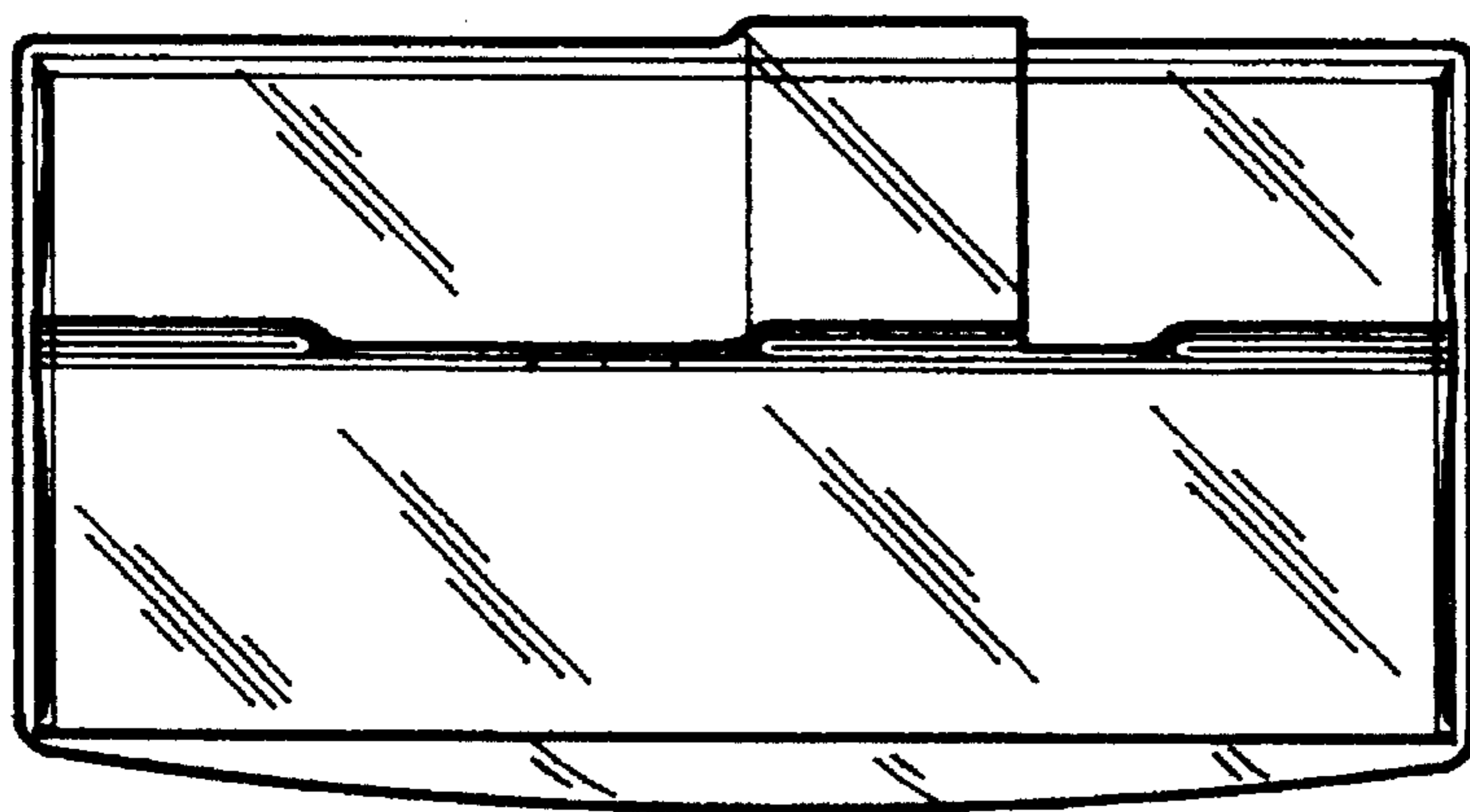


FIG. 6

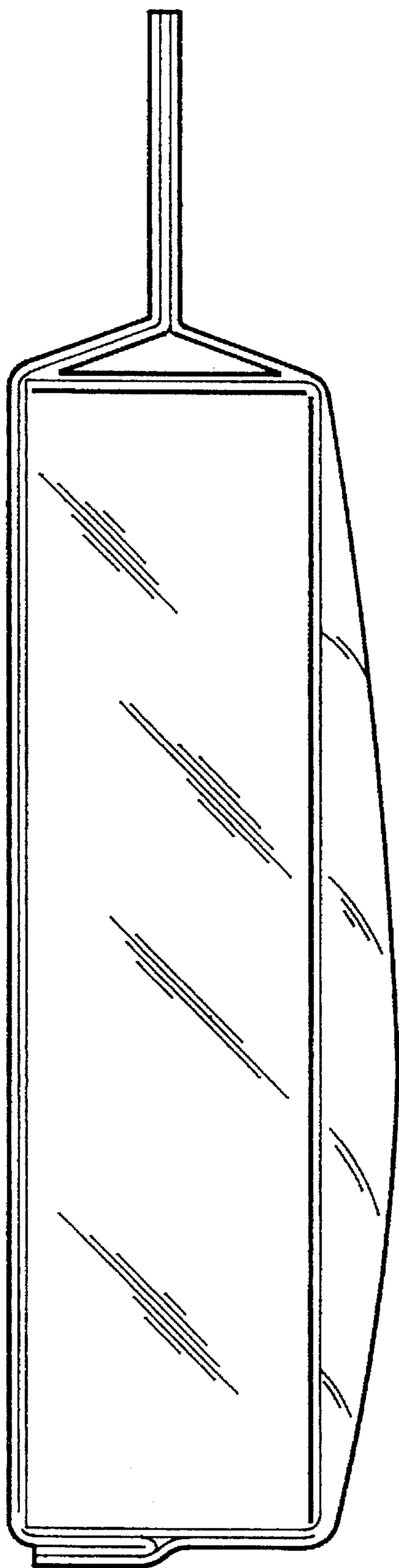


FIG. 7

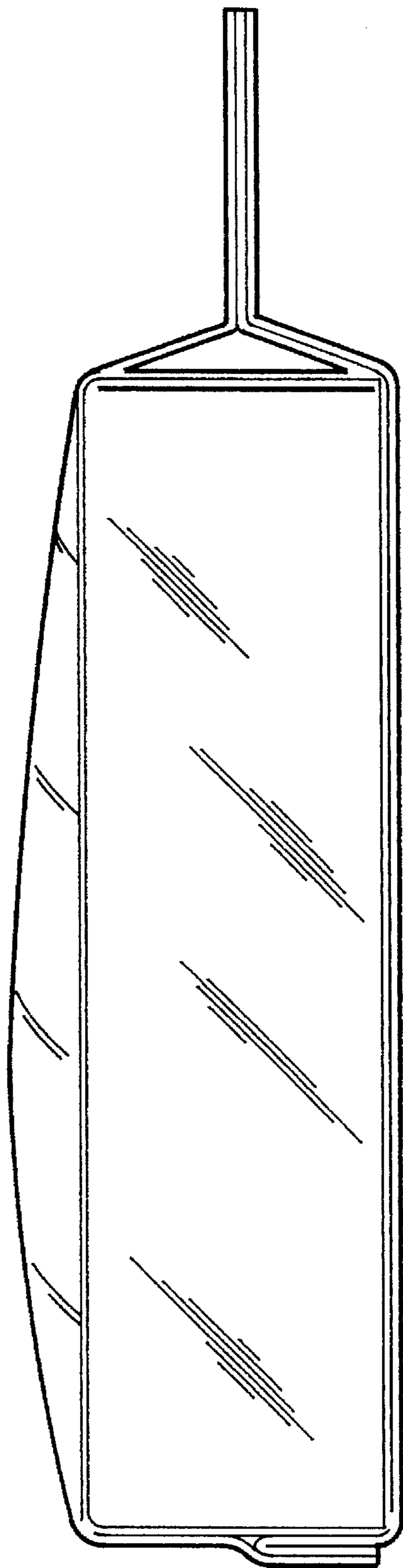


FIG. 8