



US00D373307S

United States Patent [19] Menaged

[11] Patent Number: **Des. 373,307**

[45] Date of Patent: ****Sep. 3, 1996**

[54] MERCHANDISING PACKAGE

[75] Inventor: **Neal M. Menaged**, South Hampton, Pa.

[73] Assignee: **Lewis M. Hendler**, Huntingdon Valley, Pa.

[**] Term: **14 Years**

[21] Appl. No.: **28,518**

[22] Filed: **Sep. 16, 1994**

[52] U.S. Cl. **D9/415**

[58] Field of Search D9/415, 418, 420,
D9/433; 206/461-471, 806, 495, 497

[56] References Cited

U.S. PATENT DOCUMENTS

D. 353,092	12/1994	Green	D9/415
3,486,615	12/1969	Woskin	206/45.3 X
4,261,462	4/1981	Wysocki	206/462 X
4,518,086	5/1985	Roccaforte	206/806 X
4,949,845	8/1990	Dixon	206/806 X
5,090,568	2/1992	Tse	206/720 X
5,090,570	2/1992	Todd	206/720 X
5,121,835	6/1992	Grupe	206/470 X

OTHER PUBLICATIONS

Modern Packaging, 1972-73, p. 104.

Modern Packaging, 1963, p. 334.

Packaging, Aug. 1986, p. 53.

Primary Examiner—Prabhakar G. Deshmukh
Attorney, Agent, or Firm—Harness, Dickey & Pierce, P.L.C.

[57] CLAIM

The ornamental design for a merchandising package, as shown and described.

DESCRIPTION

FIG. 1 is a front elevational view of a merchandising package showing a first embodiment of my new design in an unfolded condition;

FIG. 2 is a left side elevational view thereof, the right side elevational view being a mirror image thereof;

FIG. 3 is a left side elevational view thereof in a folded condition, the right side elevational view being a mirror image thereof, the broken line showing of merchandising is for illustrative purpose only and forms no part of the claim;

FIG. 4 is a left side elevational view similar to FIG. 3 but with the broken line showing of the merchandise removed;

FIG. 5 is a top plan view of FIG. 1;

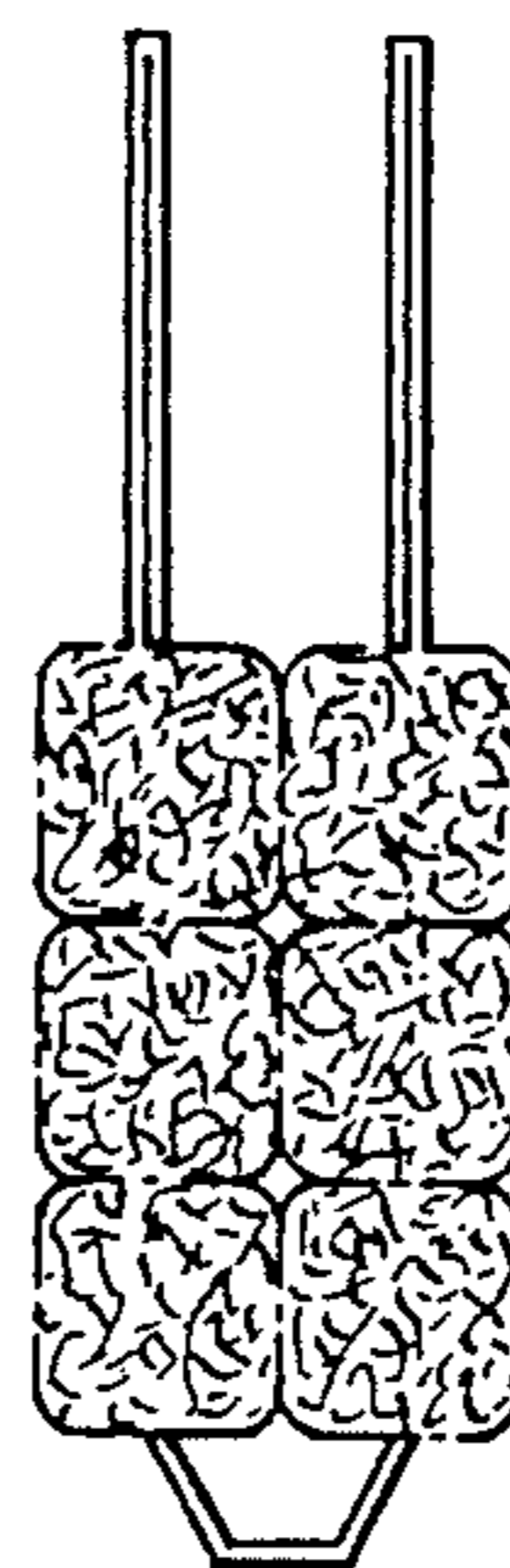
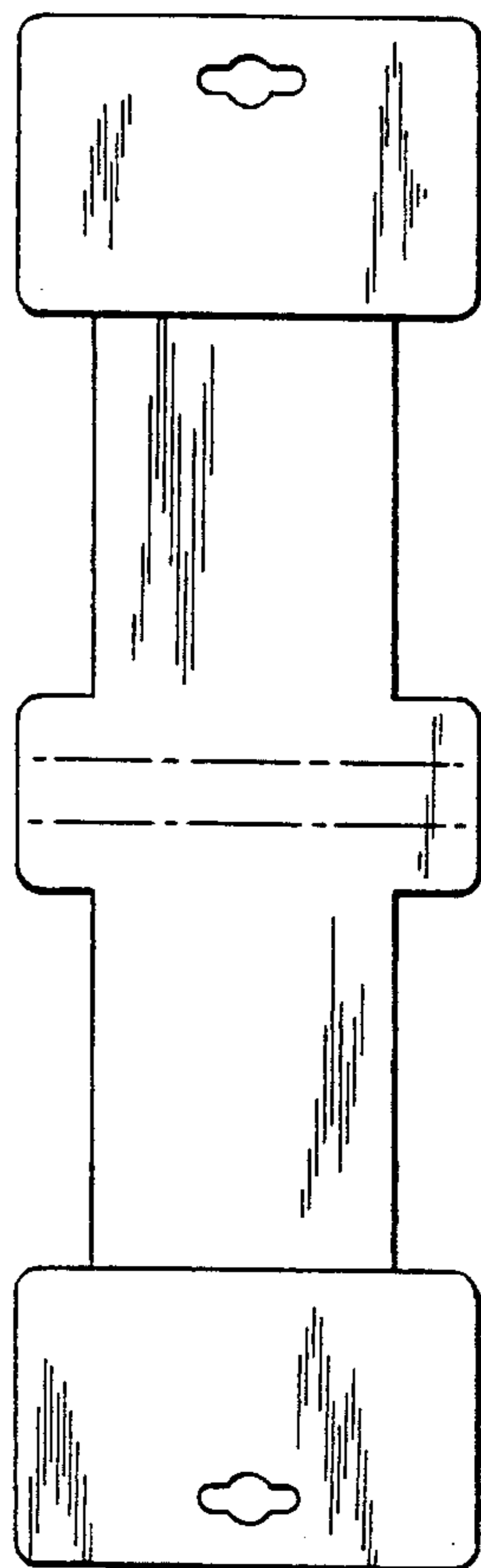
FIG. 6 is a bottom plan view of FIG. 1;

FIG. 7 is a front elevational view showing a second embodiment of my new design in an unfolded condition; and,

FIG. 8 is a left side elevational view of FIG. 7, the right side elevational view being a mirror image thereof.

The top, bottom and side views of the second embodiment (FIG. 4) are the same as that of the first embodiment as shown in FIGS. 5 and 6.

1 Claim, 2 Drawing Sheets



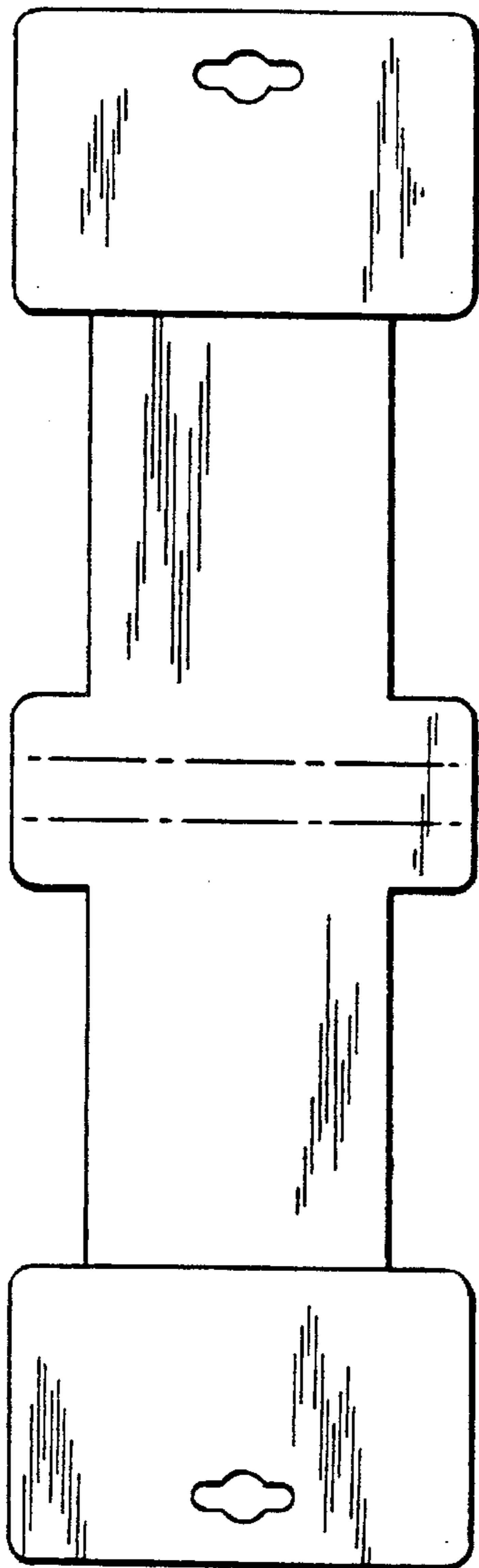


FIG. 1.

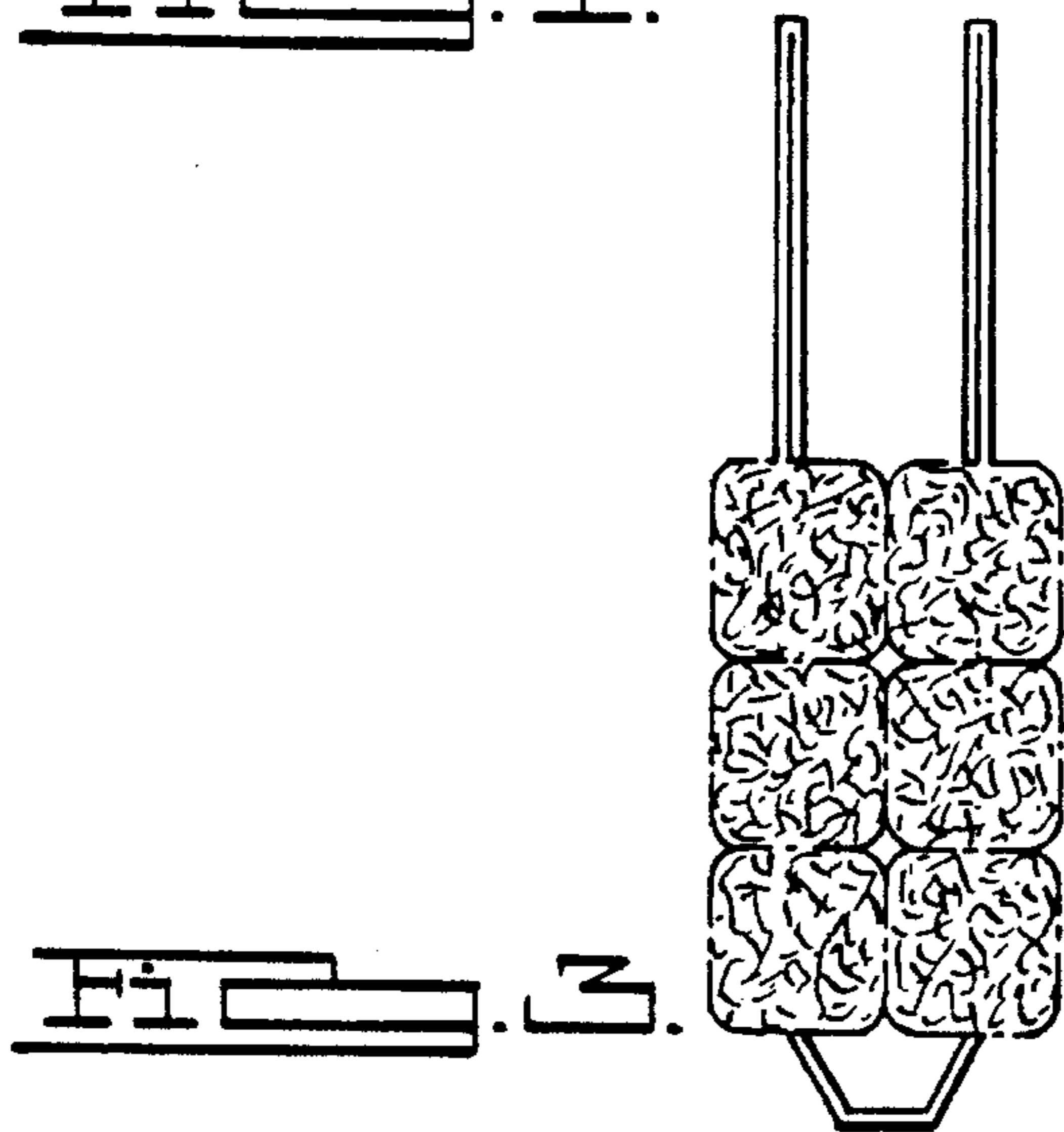


FIG. 2.

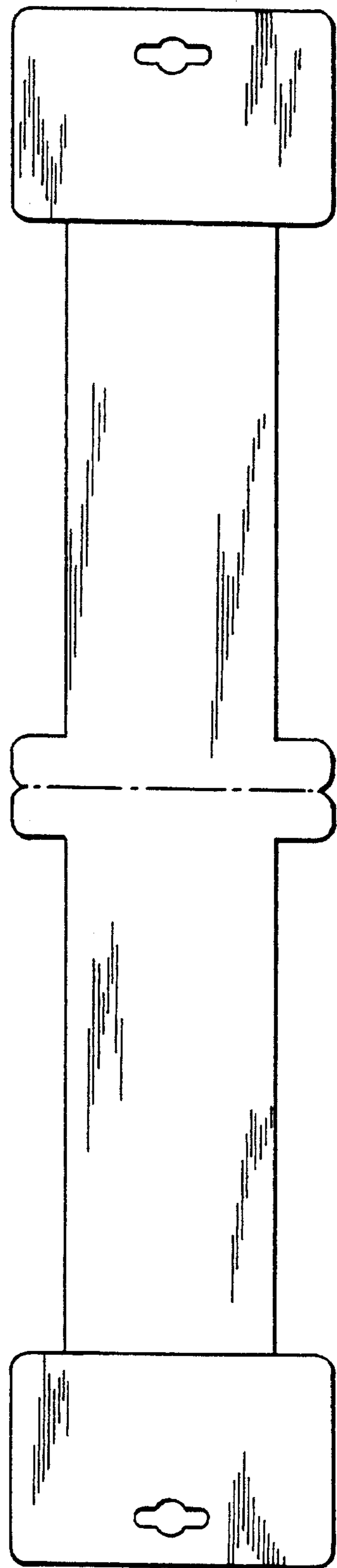


FIG. 3.

