



US00D373305S

United States Patent [19]

[11] Patent Number: **Des. 373,305**

Decursu et al.

[45] Date of Patent: ****Sep. 3, 1996**

[54] **WING NUT**

[75] Inventors: **Giorgio Decursu; Alberto Bertani,**
both of Milan, Italy

[73] Assignee: **Elesa S.p.A.,** Milan, Italy

[**] Term: **14 Years**

[21] Appl. No.: **34,021**

[22] Filed: **Jan. 25, 1995**

[30] Foreign Application Priority Data

Aug. 8, 1994 [XH] Hague Agreement DM/030369

[52] U.S. Cl. **D8/398**

[58] Field of Search D8/382, 397, 398;
16/110 A, 110 R, 121; 74/543; 411/435

[56] References Cited

U.S. PATENT DOCUMENTS

D. 155,997	11/1949	Gries	D8/398
D. 181,558	11/1957	Urie	D8/398
D. 204,461	4/1966	Volker et al.	D8/307
D. 302,109	7/1989	Cayce et al.	D8/398
D. 302,243	7/1989	Gonzalez	D8/398
D. 317,705	6/1991	Tinz	D8/398 X

OTHER PUBLICATIONS

Standards Elesa Catalogue, 121-ENG, Jan. 10, 1992, Model No. VBR.2, p. 52.
Standards Elesa Catalogue 121-ENG, Jan. 10, 1992, Model No. VCT.FP, p. 64.

Standards Elesa Catalogue 121-ENG, Jan. 10, 1992, Model No. VCT., p. 64.

Standards Elesa Catalogue 121-ENG, Jan. 10, 1992, Model No. VCT.p, p. 65.

Standards Elesa Catalogue 121-ENG, Jan. 10, 1992, Model No. CT.476 FP, p. 90.

Standards Elesa Catalogue 121-ENG, Jan. 10, 1992, Model No. CT.476, p. 91.

Standards Elesa Catalogue 121-ENG, Jan. 10, 1992, Model No. Ct.476p, p. 91.

Primary Examiner—Brian N. Vinson
Attorney, Agent, or Firm—Pearne, Gordon, McCoy & Granger

[57] CLAIM

The ornamental design for a wing nut, as shown and described.

DESCRIPTION

FIG. 1 is a perspective view of a wing nut, showing our new design;

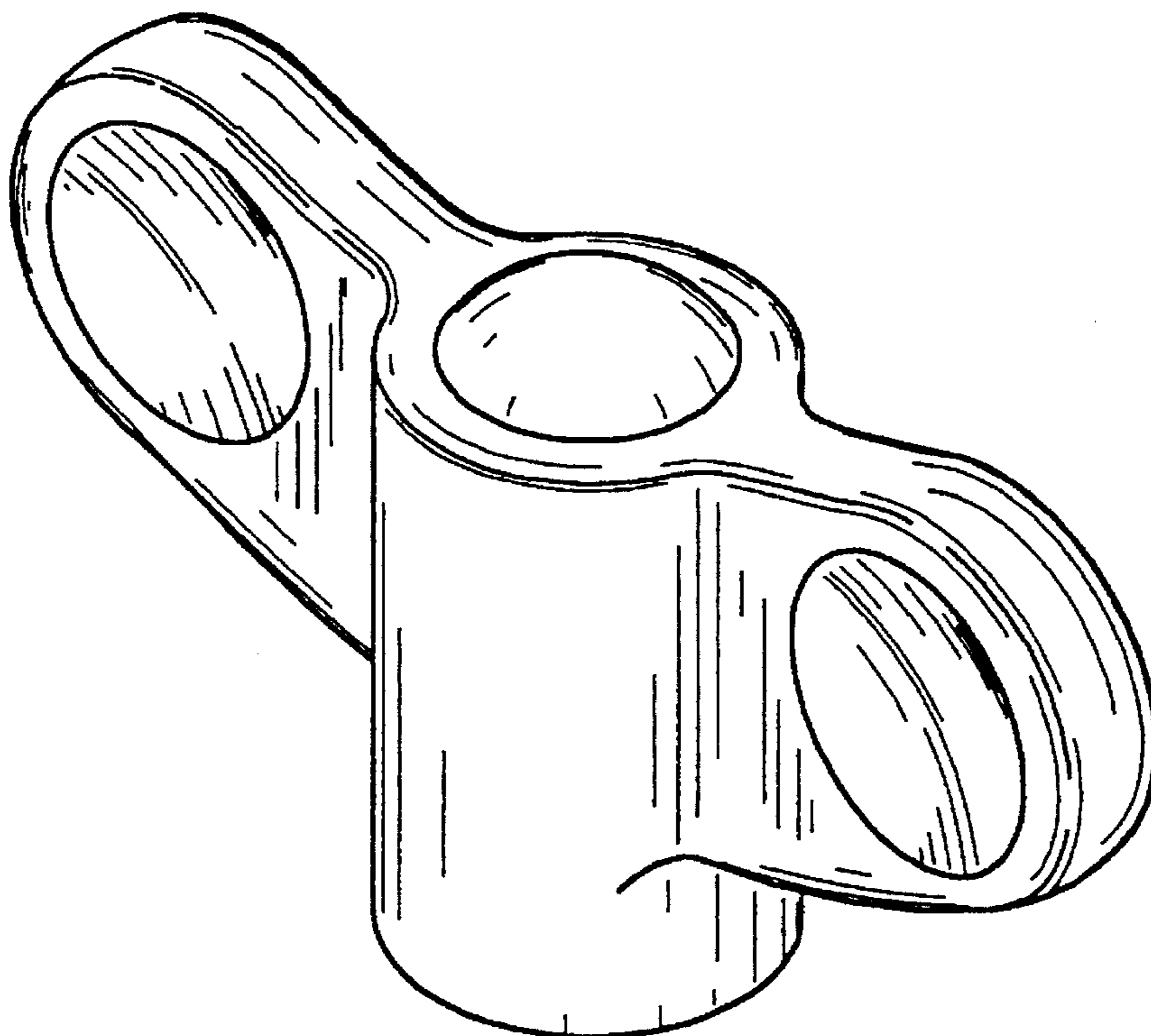
FIG. 2 is a front elevational view thereof;

FIG. 3 is a right side elevational view thereof, the left side elevational view being identical;

FIG. 4 is a top plan view thereof; and,

FIG. 5 is a bottom plan view thereof.

1 Claim, 1 Drawing Sheet



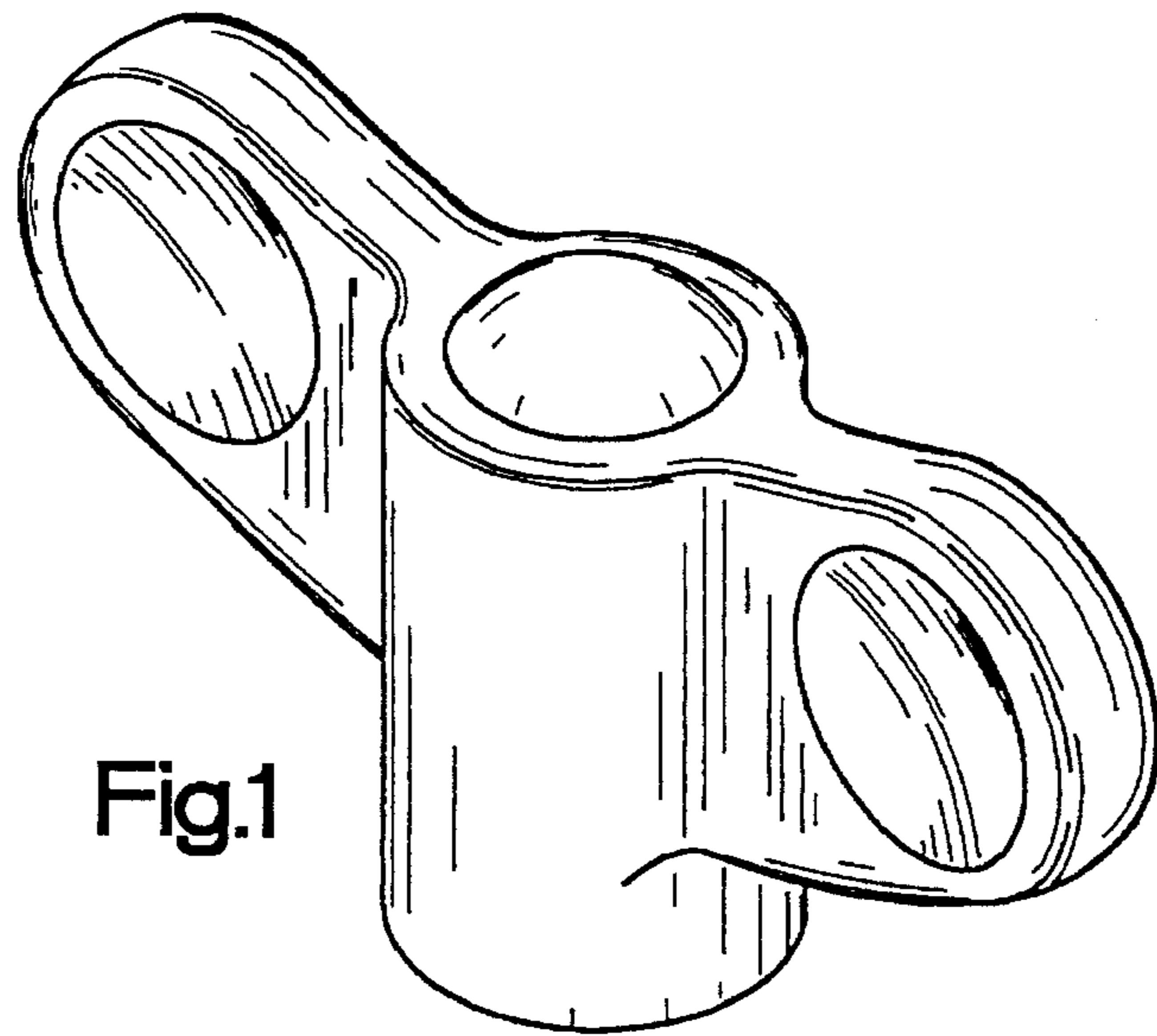


Fig.1

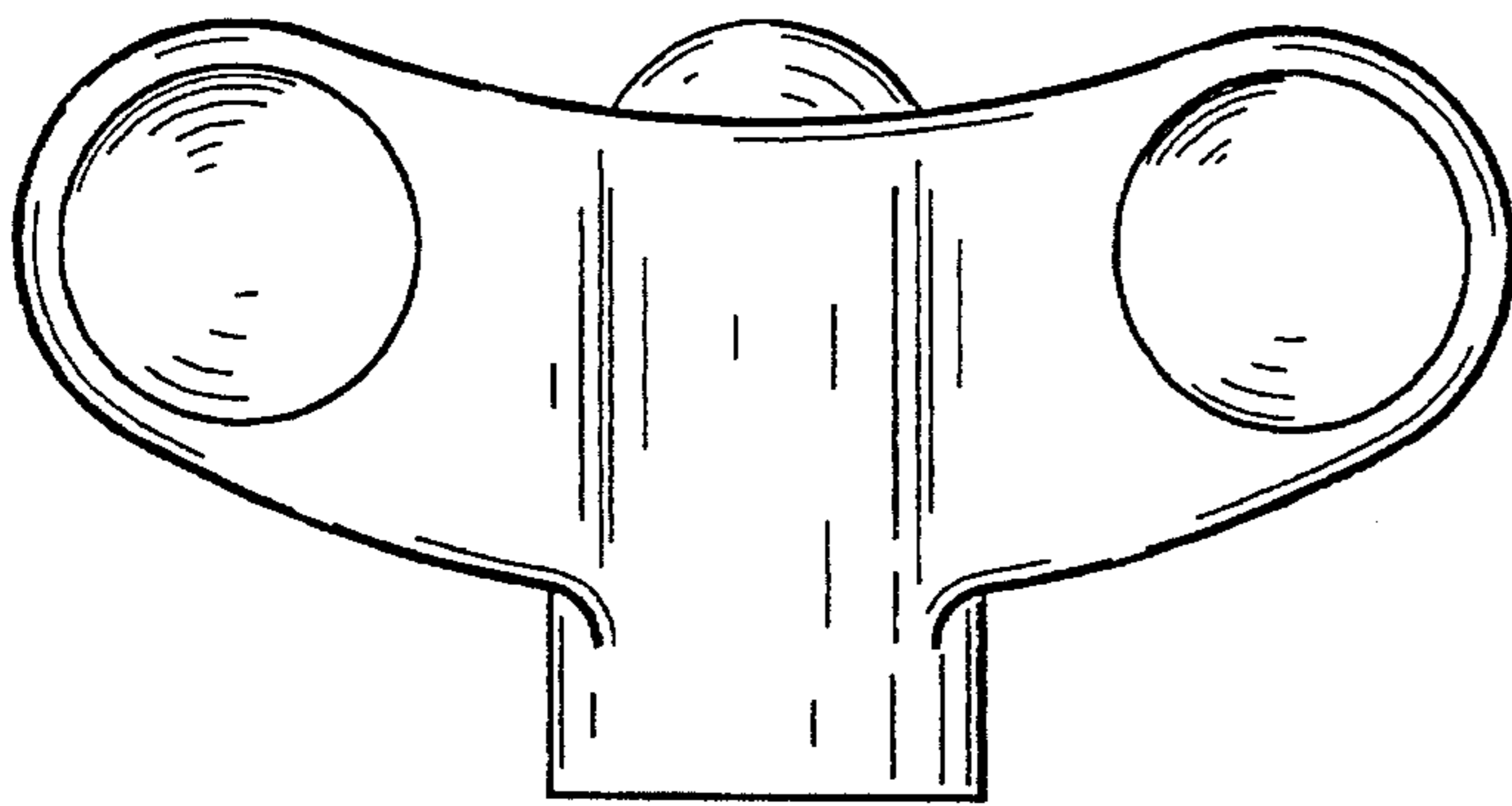


Fig.2

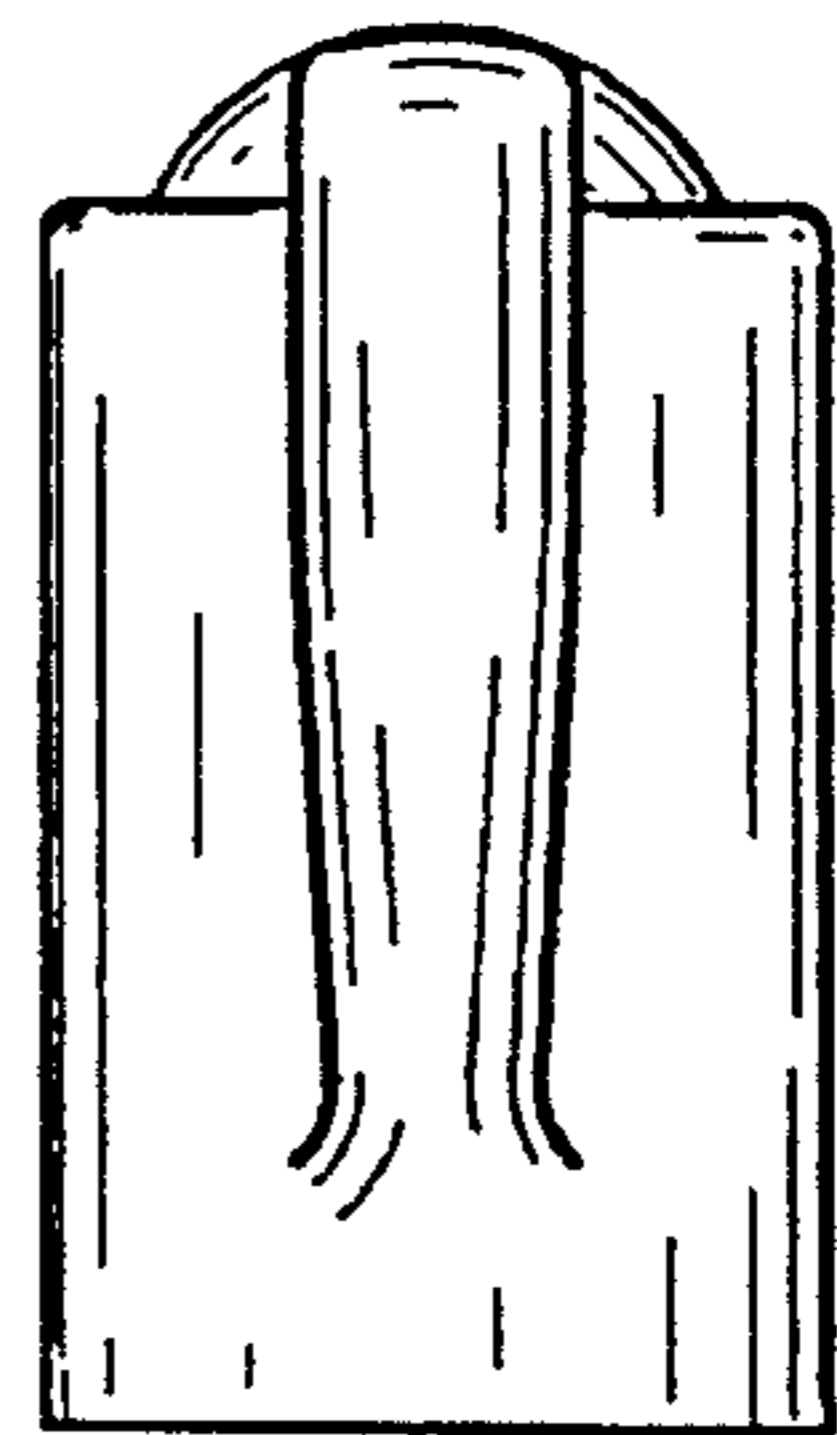


Fig.3

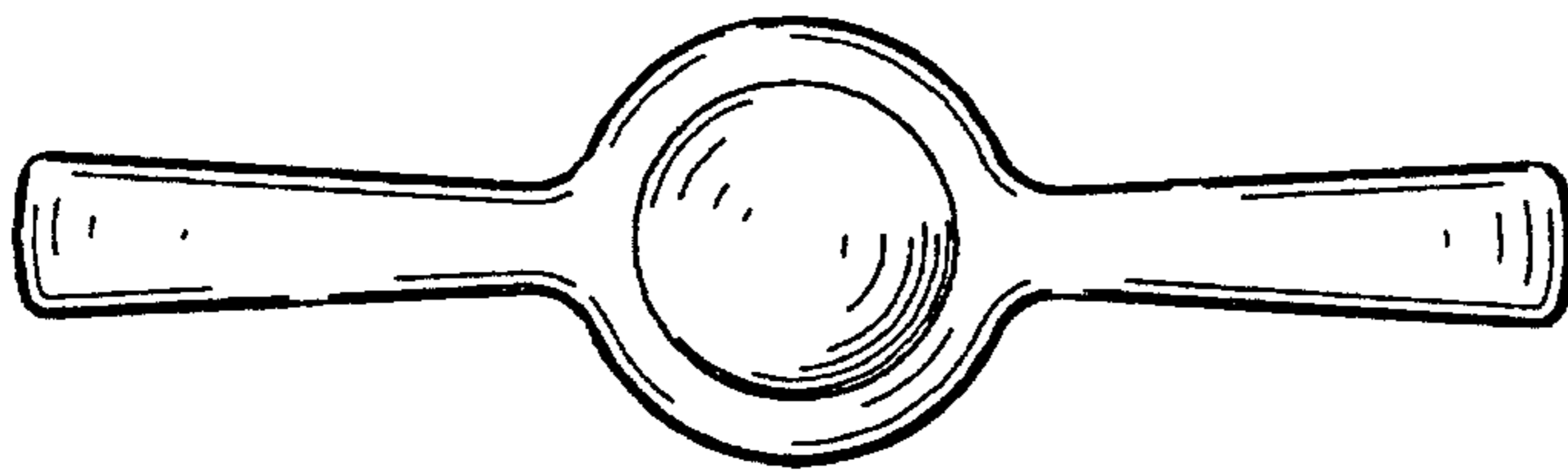


Fig.5

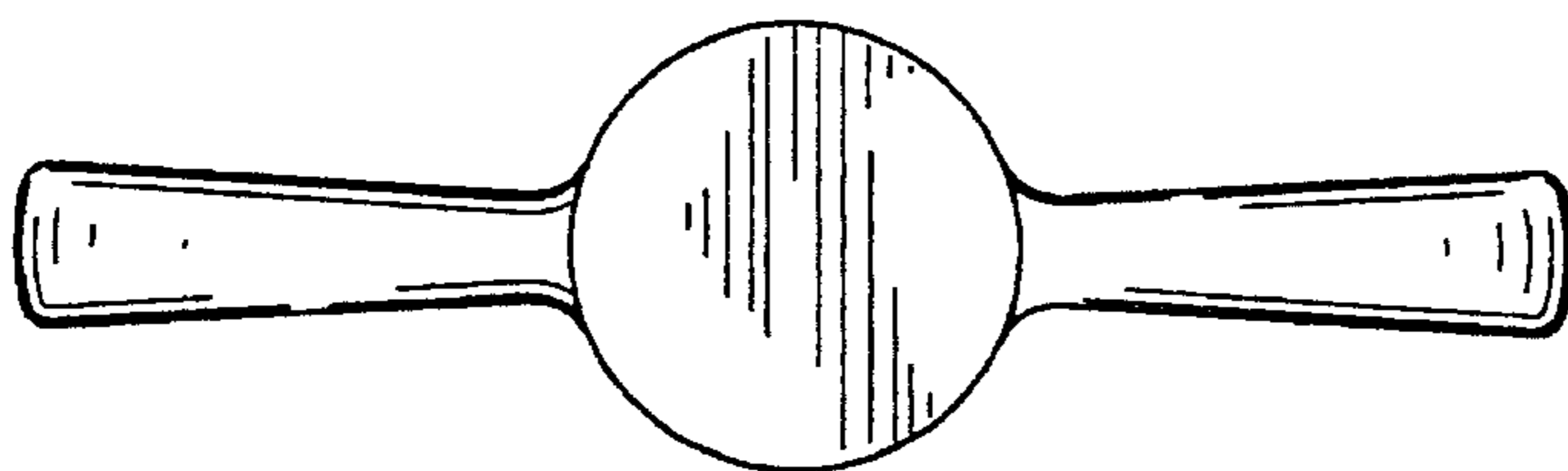


Fig.4