



US00D373304S

United States Patent [19]

[11] Patent Number: **Des. 373,304**

Russo

[45] Date of Patent: ****Sep. 3, 1996**

[54] CLIP

FOREIGN PATENT DOCUMENTS

[76] Inventor: **Michael T. Russo**, 1139 Meadowglen Ct., Bloomfield Hills, Mich. 48304

2486599 1/1982 France 248/71

[**] Term: **14 Years**

Primary Examiner—Lucy Lieberman
Attorney, Agent, or Firm—Rader, Fishman and Grauer PLLC

[21] Appl. No.: **21,282**

[57] CLAIM

[22] Filed: **Apr. 13, 1994**

The ornamental design for a clip, as shown and described.

[52] U.S. Cl. **D8/395**

DESCRIPTION

[58] Field of Search D8/394, 395, 396, D8/349, 373, 356, 388; D9/434, 499; 248/71, 74.3; 24/30 SP, 16 PB, 17 AP

FIG. 1 is a perspective view of the clip design of the present invention;

[56] References Cited

U.S. PATENT DOCUMENTS

D. 274,213	6/1984	Omata	D8/356
D. 309,095	7/1990	Holley	D8/396 X
3,048,906	8/1962	Patterson	24/16 PB
3,088,702	5/1963	Orenick et al.	248/71
3,913,187	10/1975	Okuda	24/16 PB X
4,669,688	6/1987	Itoh et al.	24/16 PB X
4,840,345	6/1989	Neil et al.	24/16 PB X

FIG. 2 is a right side view of the clip, the left side view is a mirror image thereto;

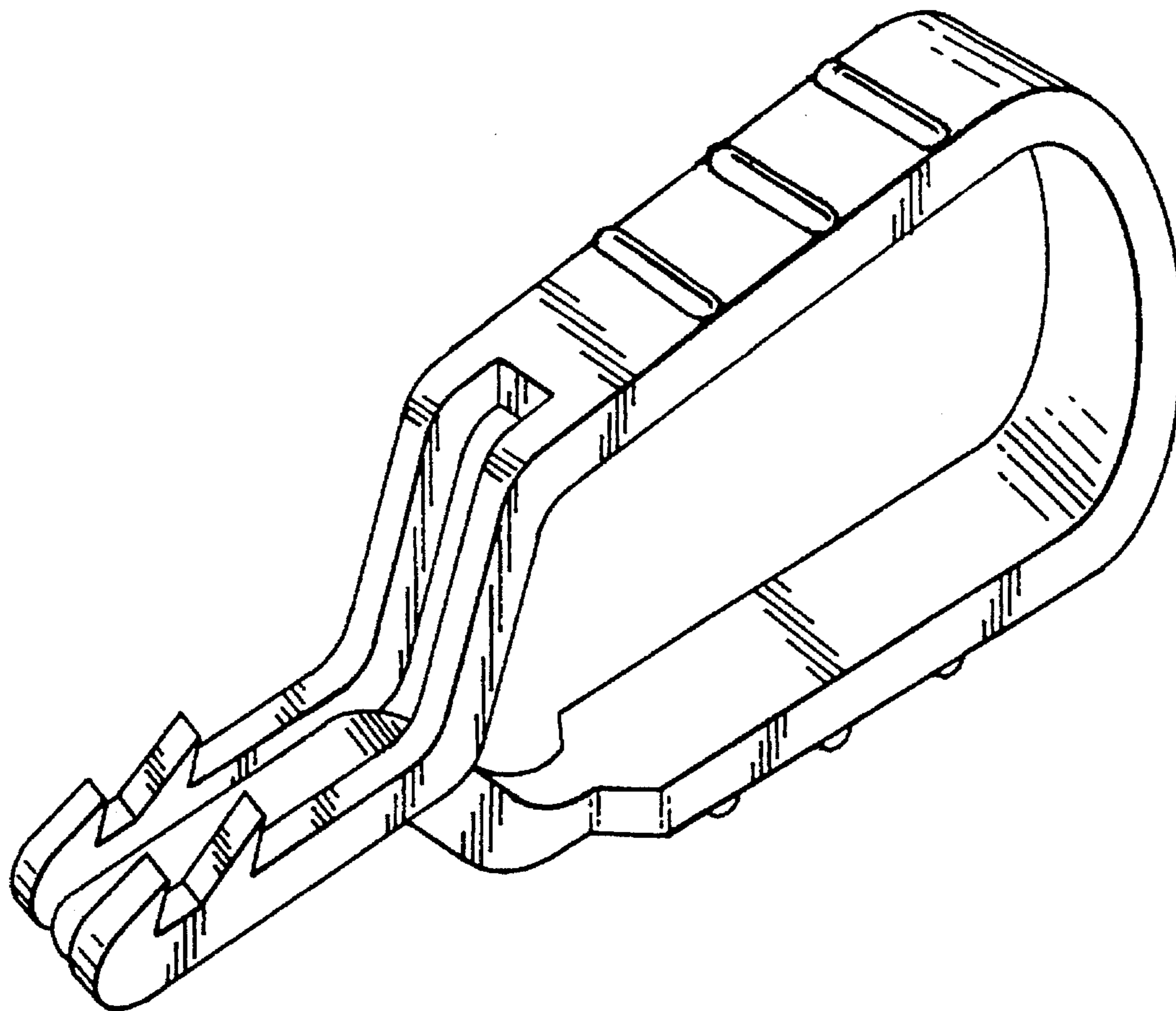
FIG. 3 is a top view of the clip design of the present invention;

FIG. 4 is a rear view of the clip of the present invention;

FIG. 5 is a front view of the clip of the present invention; and,

FIG. 6 is a bottom view of the clip design of the present invention.

1 Claim, 1 Drawing Sheet



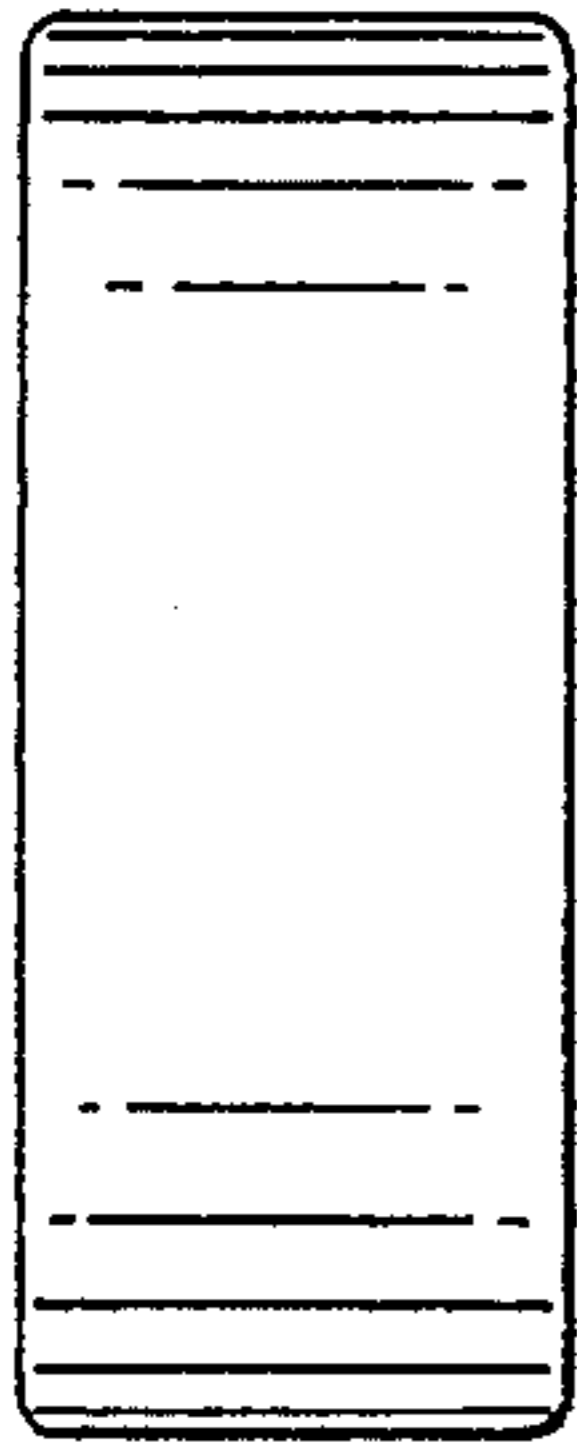


FIG. 4

FIG. 1

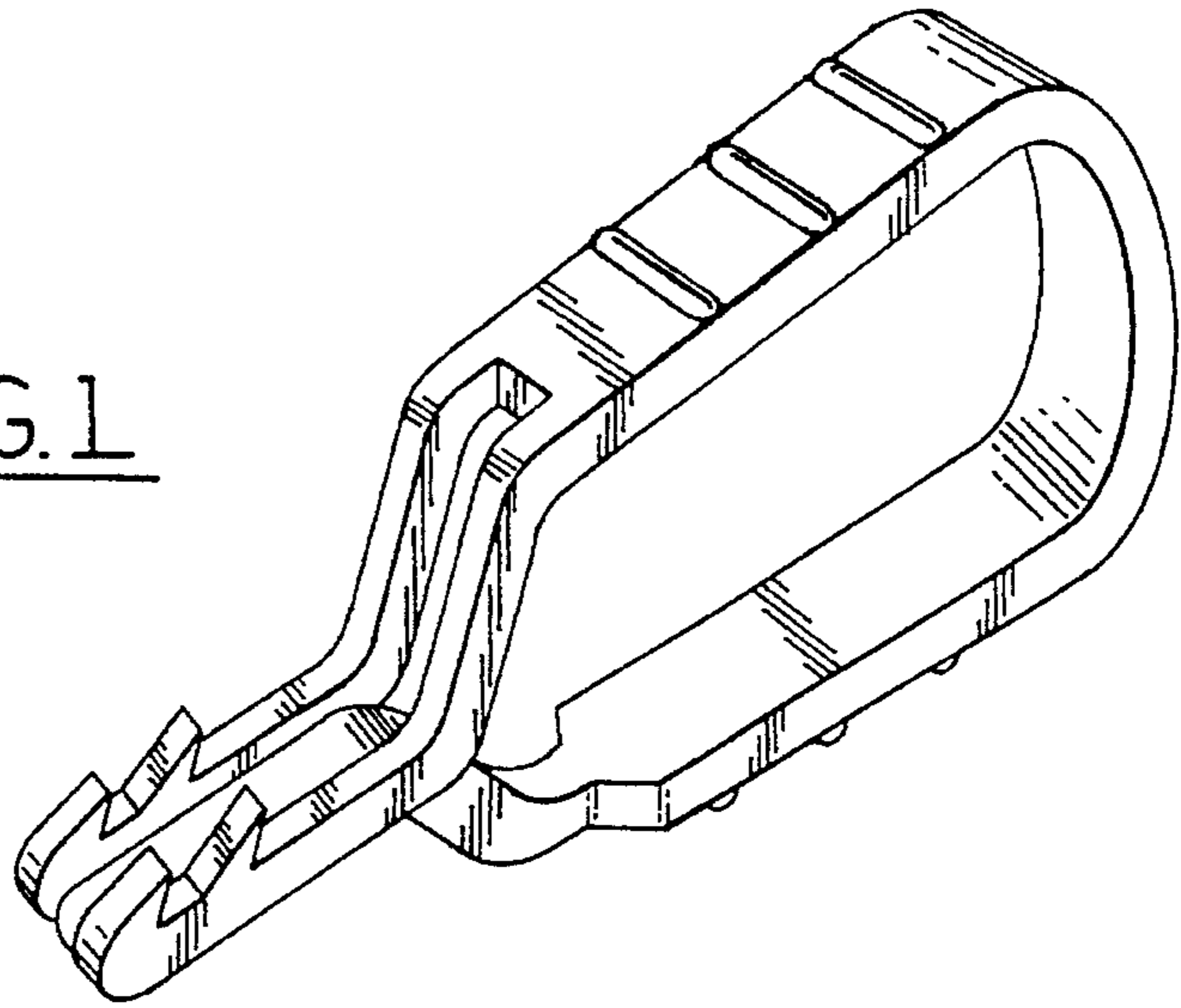


FIG. 2

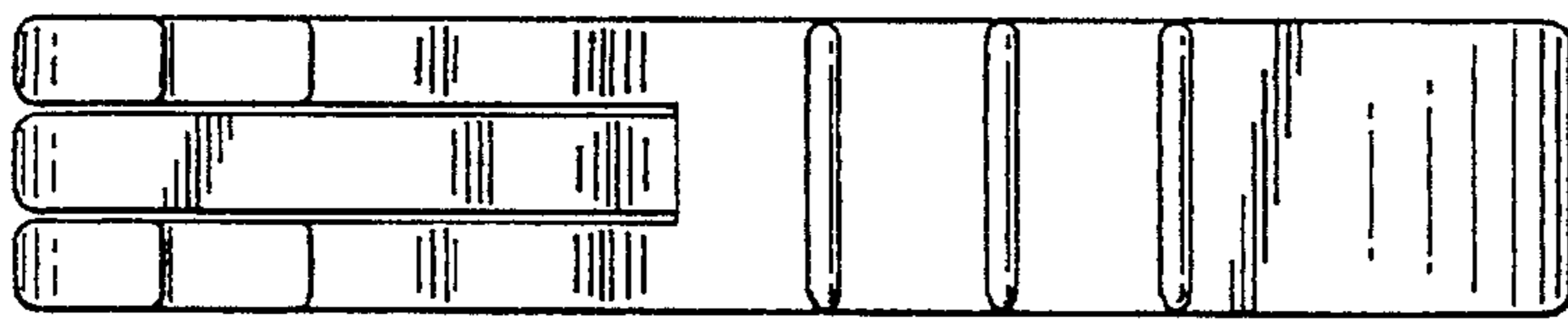
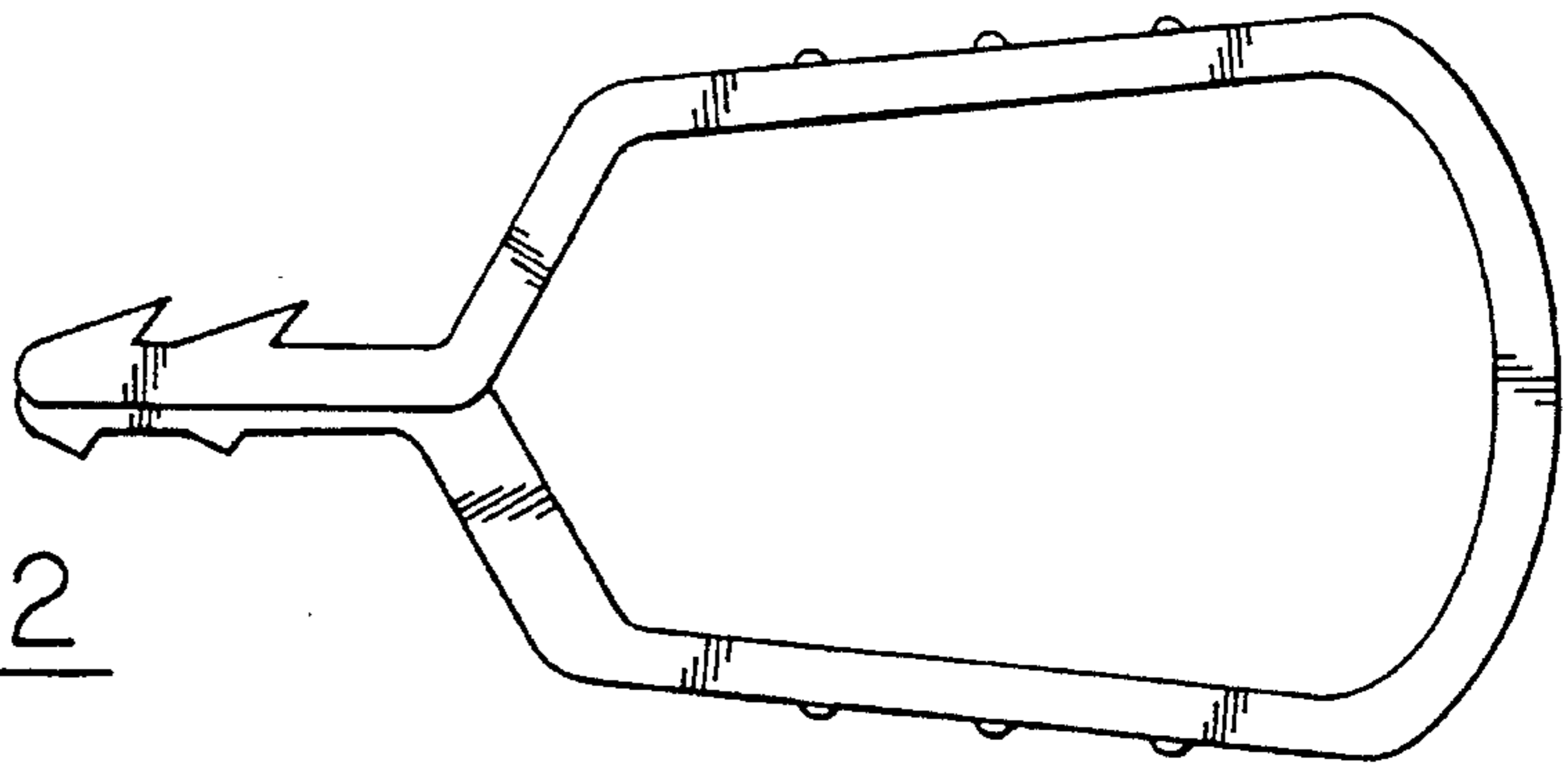


FIG. 3

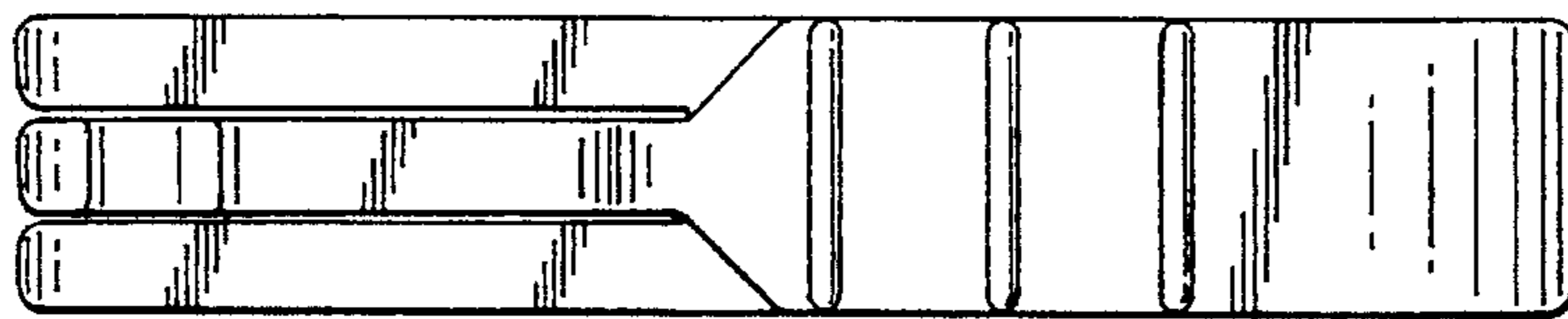


FIG. 6

FIG. 5

