



US00D373301S

United States Patent [19]

[11] Patent Number: **Des. 373,301**

Burch

[45] Date of Patent: ****Sep. 3, 1996**

[54] **SPOOL HOLDER**

[76] Inventor: **Brad J. Burch**, 12311 Advance,
Houston, Tex. 77065

[**] Term: **14 Years**

[21] Appl. No.: **39,945**

[22] Filed: **Jun. 7, 1995**

Related U.S. Application Data

[62] Division of Ser. No. 23,616, May 27, 1994, Pat. No. Des. 368,423.

[52] U.S. Cl. **D8/359**; D3/24

[58] Field of Search D8/359; D22/134,
D22/143; D3/24, 26; D15/78; 242/130,
129.8, 406, 129.6, 591; 248/206.2, 206.3

[56] **References Cited**

U.S. PATENT DOCUMENTS

D. 222,429 10/1971 Nolte D8/359

D. 273,559	4/1984	Butler	D8/359
D. 335,524	5/1993	Dillashaw	D22/134
1,061,590	5/1913	Bennet	D3/24 X
4,284,180	8/1981	Masters	D8/359
4,834,331	5/1989	Domingo	242/129.6 X
5,209,423	5/1993	Barginear	242/129.8

Primary Examiner—Holly H. Baynham
Attorney, Agent, or Firm—Kenneth A. Roddy

[57] CLAIM

The ornamental design for a spool holder, as shown and described.

DESCRIPTION

FIG. 1 is an isometric view of a spool holder showing my new design from the top and one side;
FIG. 2 is an isometric view thereof shown from the bottom and opposite side; and,
FIG. 3 is an end view thereof, the opposite end being a mirror image of that shown.

1 Claim, 1 Drawing Sheet

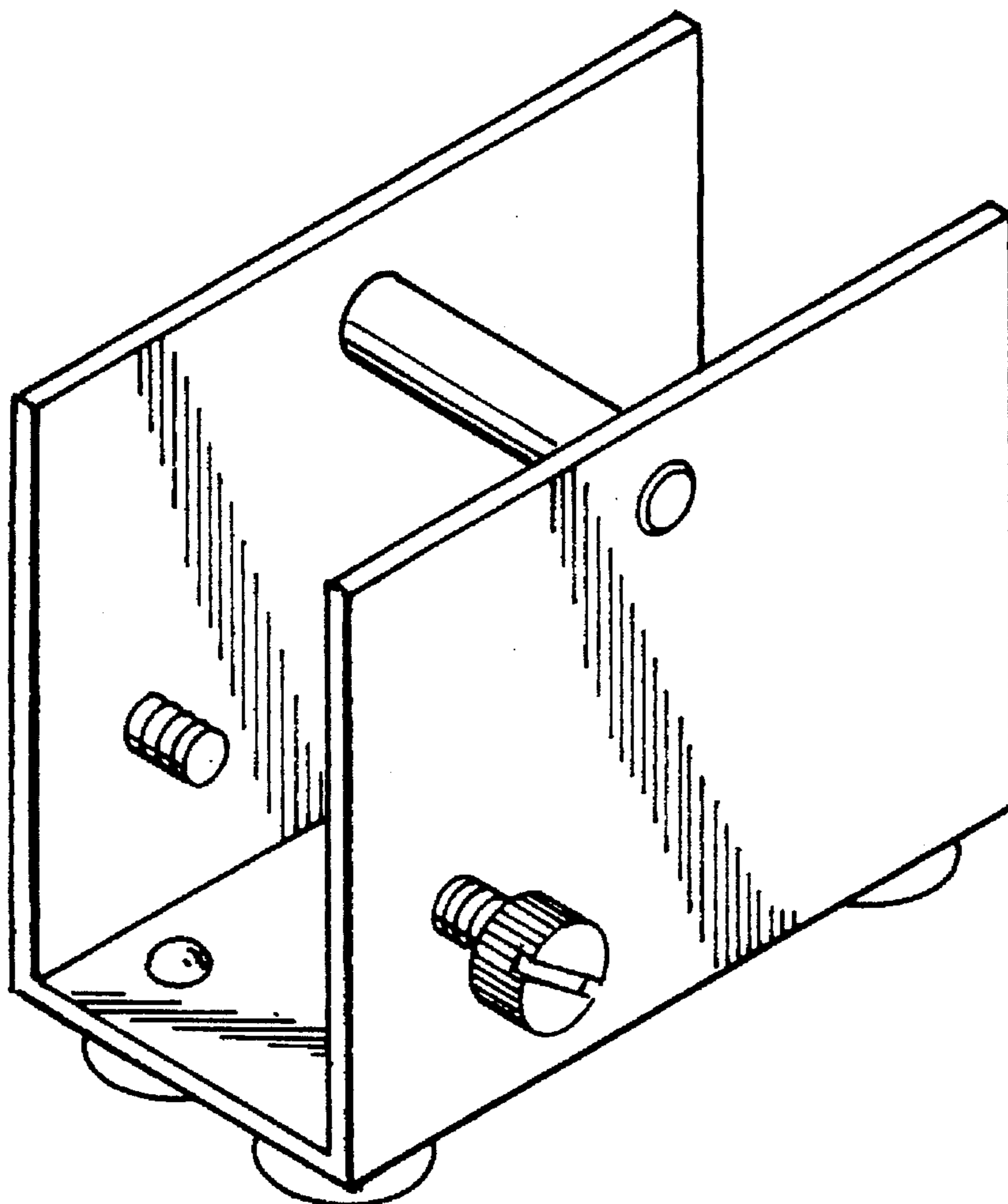


fig.1

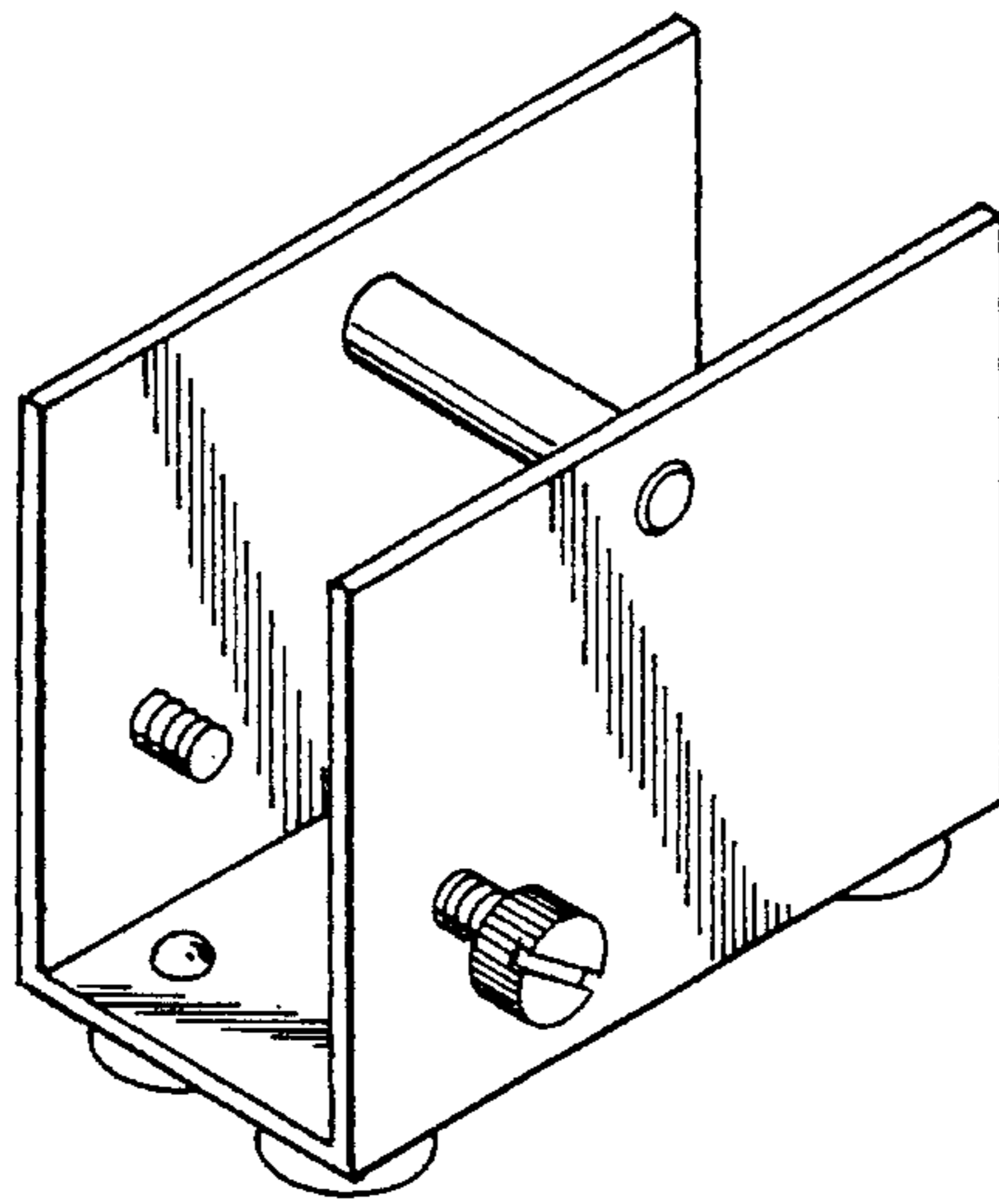


fig.2

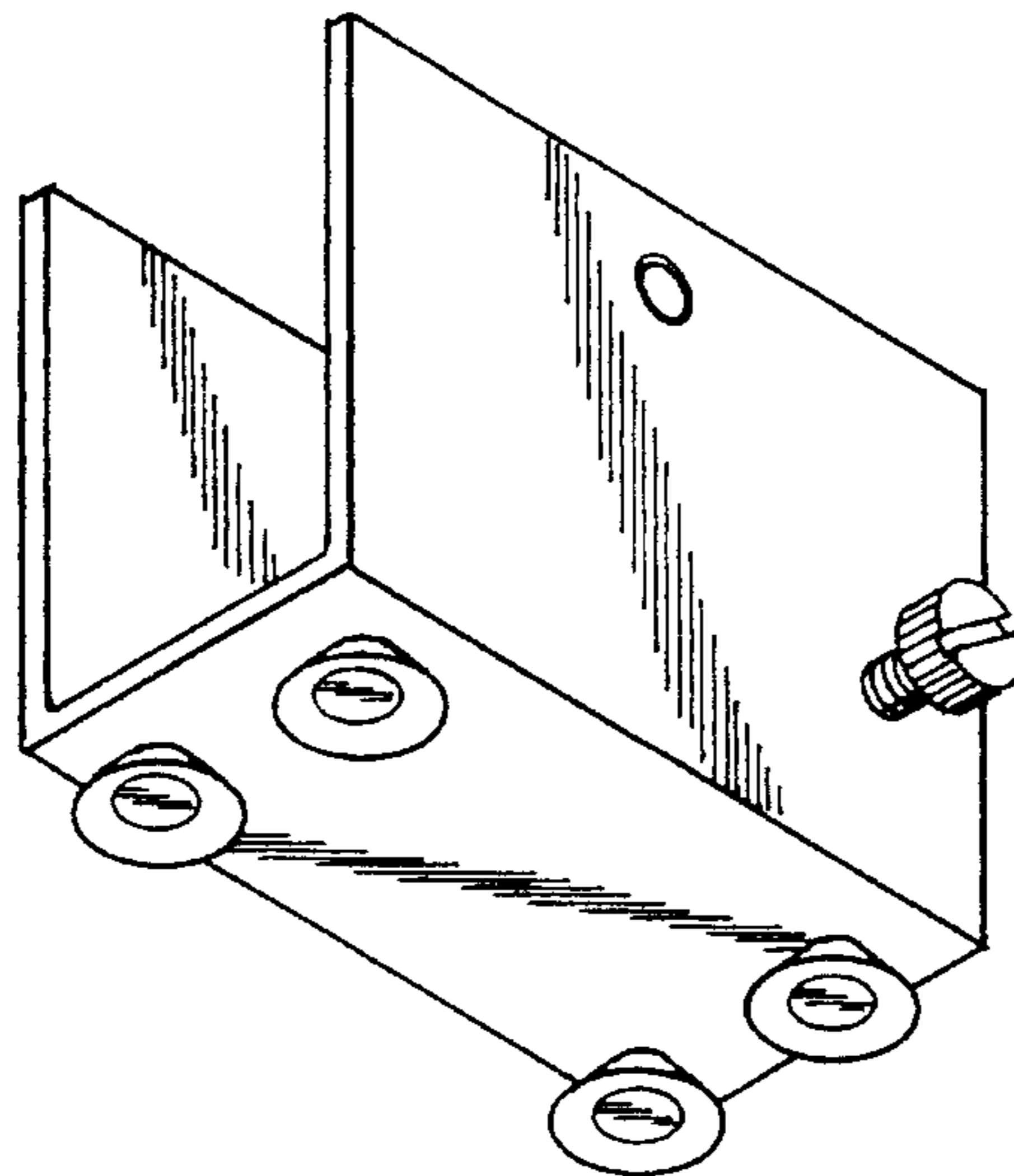


fig.3

