



US00D373298S

United States Patent [19]

[11] Patent Number: **Des. 373,298**

Miehe et al.

[45] Date of Patent: ****Sep. 3, 1996**

[54] **FLUSH DOOR LATCH ASSEMBLY**
[75] Inventors: **Donald R. Miehe**, Waterloo; **Marvin L. Larsen**, New Hampton, both of Iowa

2,987,908 6/1961 Pelcin 292/DIG. 31
3,743,336 7/1973 Andrews 292/DIG. 31
4,858,973 8/1989 Ogasawara 292/347
4,989,907 2/1991 Edmonds et al. 292/DIG. 31

[73] Assignee: **Tri/Mark Corporation**, New Hampton, Iowa

Primary Examiner—B. J. Bullock
Attorney, Agent, or Firm—Wood, Phillips, VanSanten, Clark & Mortimer

[**] Term: **14 Years**

[57] CLAIM

[21] Appl. No.: **731,030**

The ornamental design for a flush door latch assembly, as shown and described.

[22] Filed: **Jul. 16, 1991**

DESCRIPTION

Related U.S. Application Data

[63] Continuation-in-part of Ser. No. 655,115, Feb. 14, 1991, Pat. No. 5,058,937.

FIG. 1 is a right, front perspective view of our design for a flush door latch assembly;

[52] U.S. Cl. **D8/302; D8/306; D8/313**

FIG. 2 is a top plan view thereof, the bottom being a mirror image;

[58] Field of Search **D8/301, 306, 313, D8/338; 292/165, 336.3, DIG. 31, DIG. 62**

FIG. 3 is a front elevation view thereof, the rear being unornamented; and,

[56] References Cited

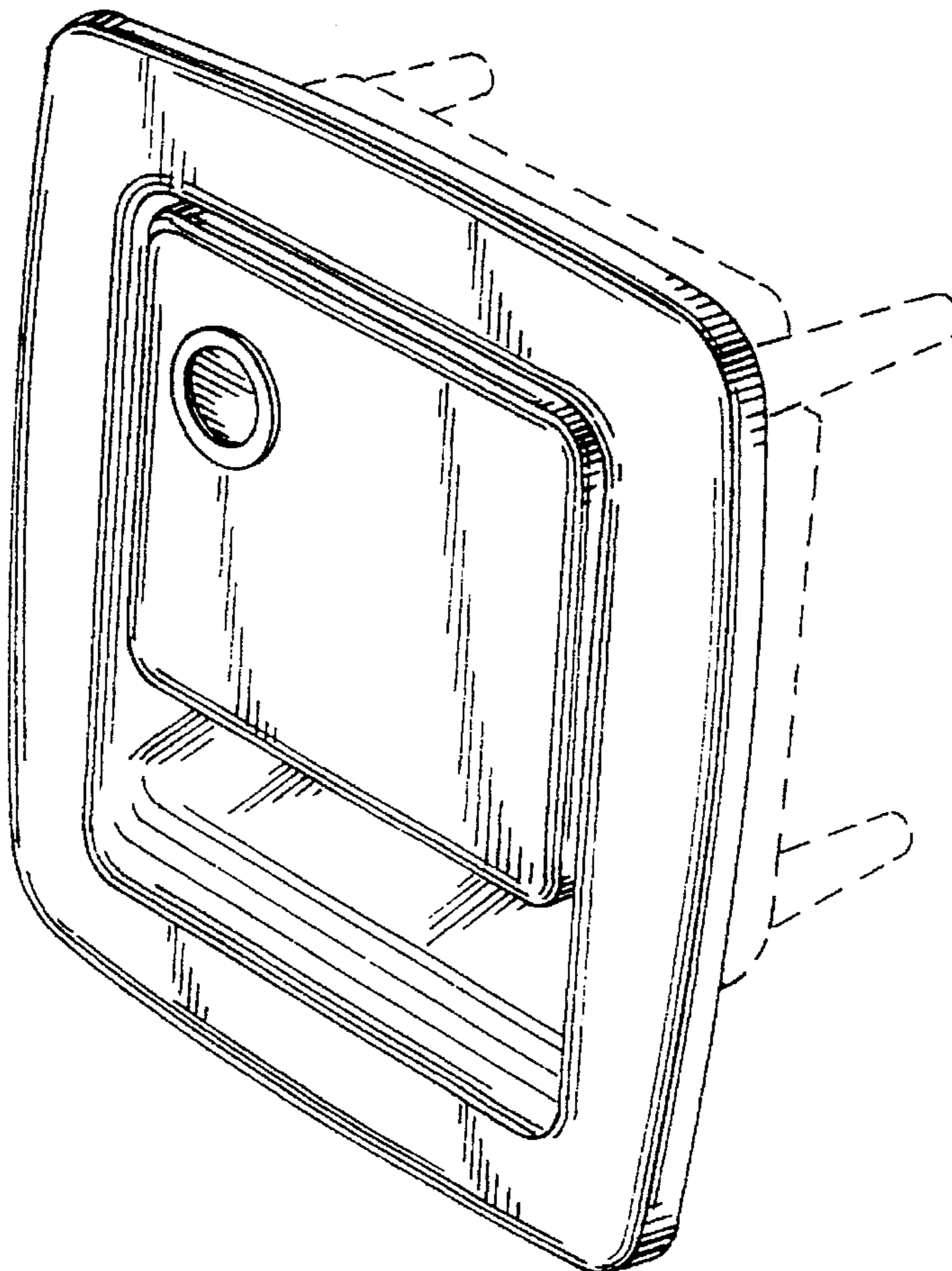
FIG. 4 is a right side elevation view thereof, the left side being a mirror image.

U.S. PATENT DOCUMENTS

The broken line showing in FIGS. 1, 2 and 4 is for illustrative purposes only and forms no part of the claimed design.

D. 176,074 11/1955 Marko D8/302
D. 218,672 9/1970 Lauper D8/302
D. 303,621 9/1989 Russell et al. D8/300
D. 304, 155 10/1989 Russell et al. D8/300

1 Claim, 1 Drawing Sheet



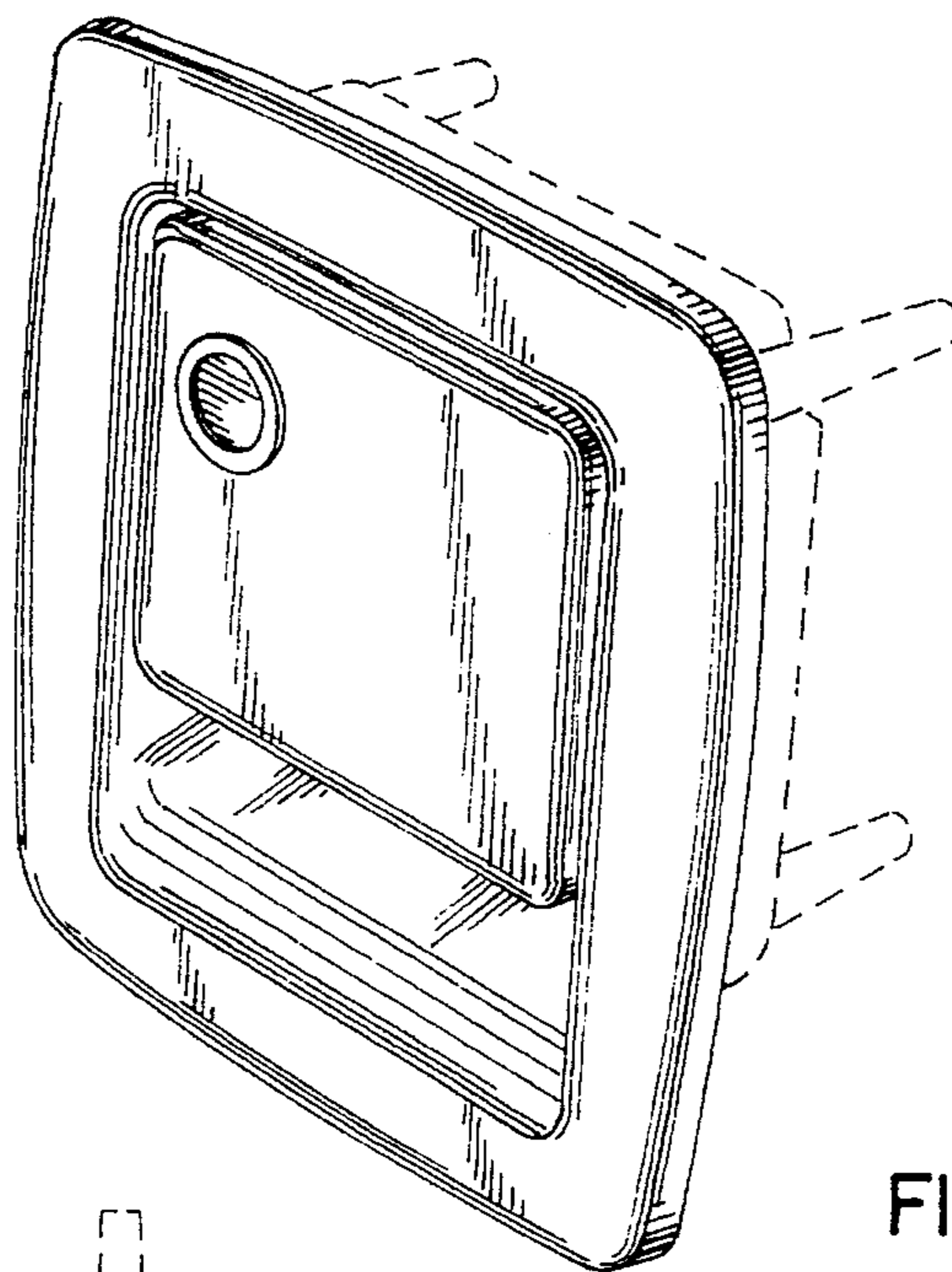


FIG. 1

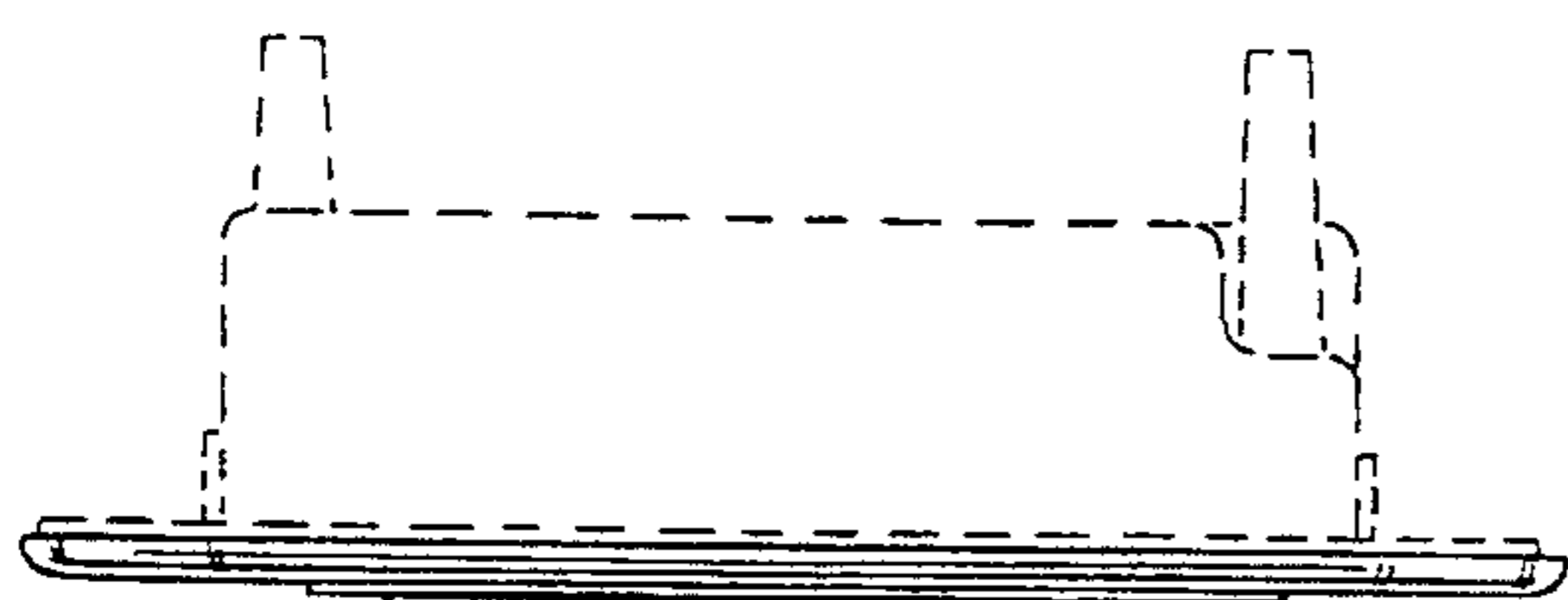


FIG. 2

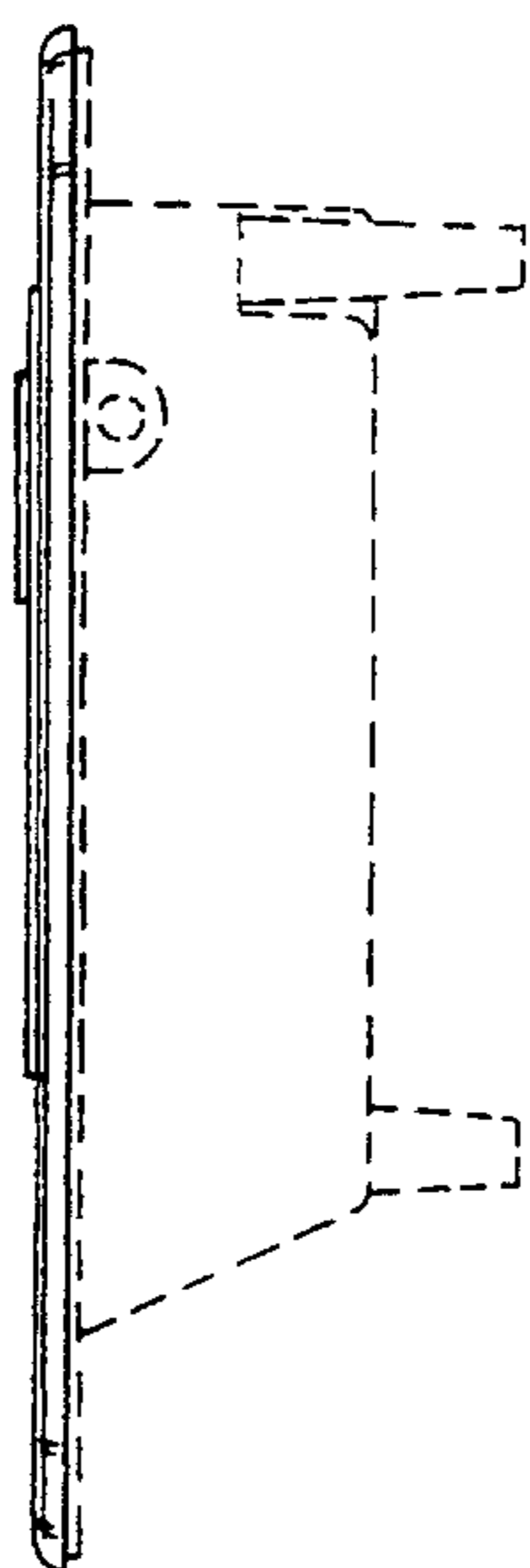


FIG. 4

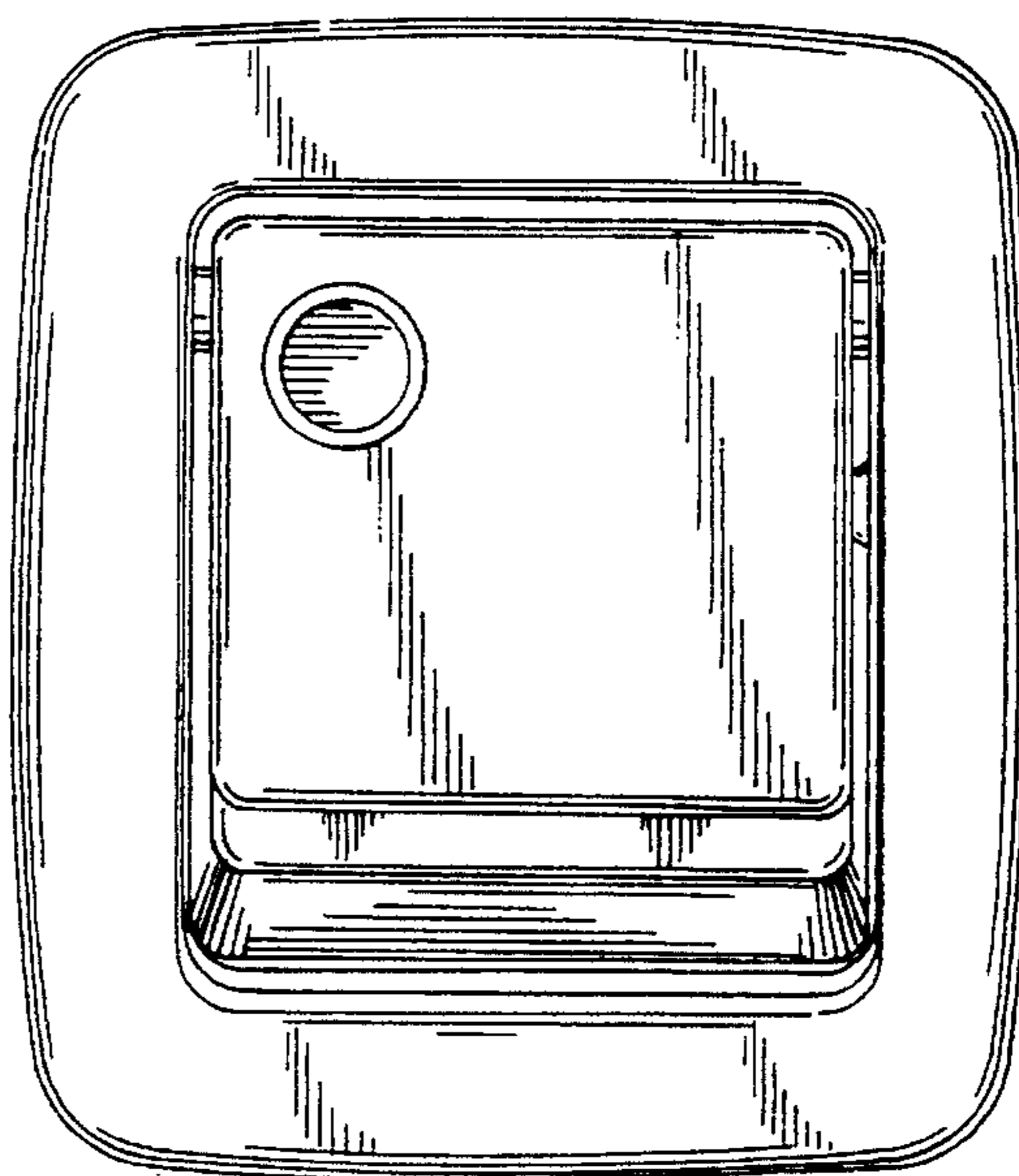


FIG. 3