



US00D373297S

# United States Patent [19] Hill

[11] Patent Number: **Des. 373,297**

[45] Date of Patent: **\*\*Sep. 3, 1996**

[54] **ROLLER SKATE TOOL KIT**

[75] Inventor: **Martin H. Hill**, Syracuse, N.Y.

[73] Assignee: **Built for Speed, Inc.**, Syracuse, N.Y.

[\*\*] Term: **14 Years**

[21] Appl. No.: **8,520**

[22] Filed: **May 19, 1993**

[52] U.S. Cl. .... **D8/105; D3/269; D3/271; D3/905**

[58] Field of Search ..... **D8/14, 105, 83, D8/87; D3/905, 269, 271; 7/138, 170; 81/177.1, 439; D21/226, 227**

[56] **References Cited**

**U.S. PATENT DOCUMENTS**

D. 280,335	8/1985	Dummar	.....	D21/59
D. 306,874	3/1990	Lapin	.....	D21/234
D. 323,449	1/1992	Corona et al.	.....	D8/83
1,442,181	1/1923	Simon	.....	D8/83
3,194,286	7/1965	Wagner	.....	81/439
4,774,736	10/1988	Brawner et al.	.....	7/165
5,265,504	11/1993	Fruhm	.....	81/439

*Primary Examiner*—Philip S. Hyder  
*Attorney, Agent, or Firm*—Staas & Halsey

[57] **CLAIM**

The ornamental design for a roller skate tool kit, as shown and described.

**DESCRIPTION**

FIG. 1 is a front elevational view of a roller skate tool kit

showing my new design, and the rear elevational view and each of the side views thereof are identical with FIG. 1;

FIG. 2 is an exploded front elevational view of the tool kit illustrating the arrangement of the components thereof, and the rear elevational view of the exploded tool kit is identical with FIG. 2;

FIG. 3 is an exploded side elevational view of the tool kit, and the other side view of the exploded tool kit is identical with FIG. 3;

FIG. 4 is a plan view looking downwardly along the line 4—4 of FIG. 3;

FIG. 5 is a plan view looking downwardly along the line 5—5 of FIG. 3;

FIG. 6 is a top view of the roller skate tool kit of FIG. 1;

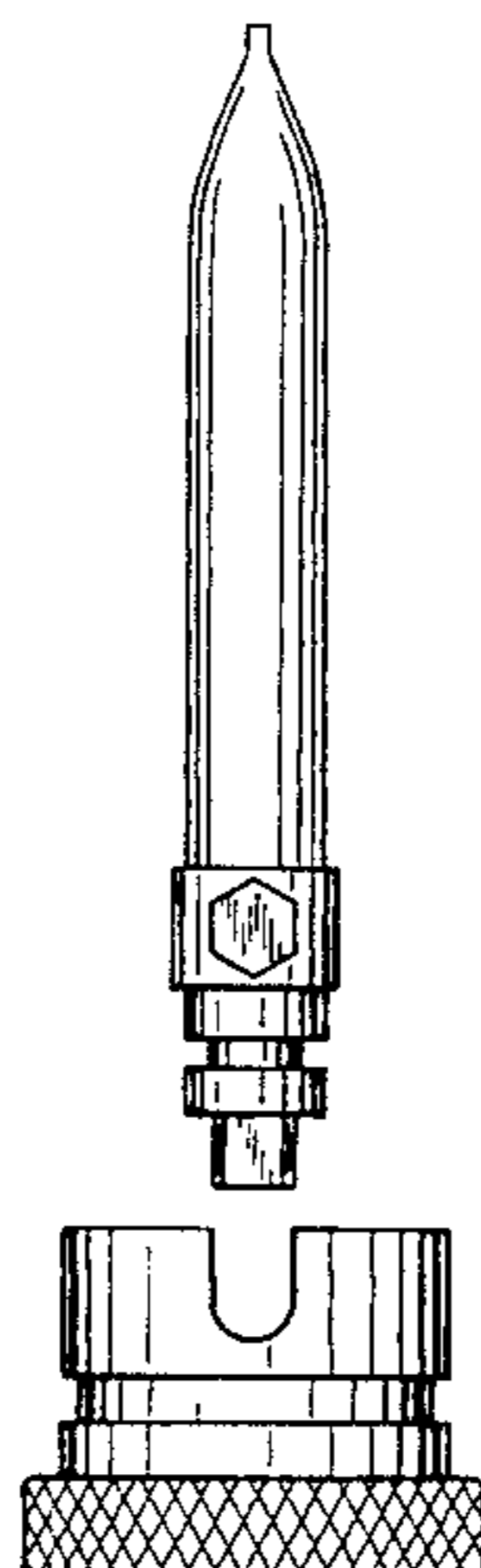
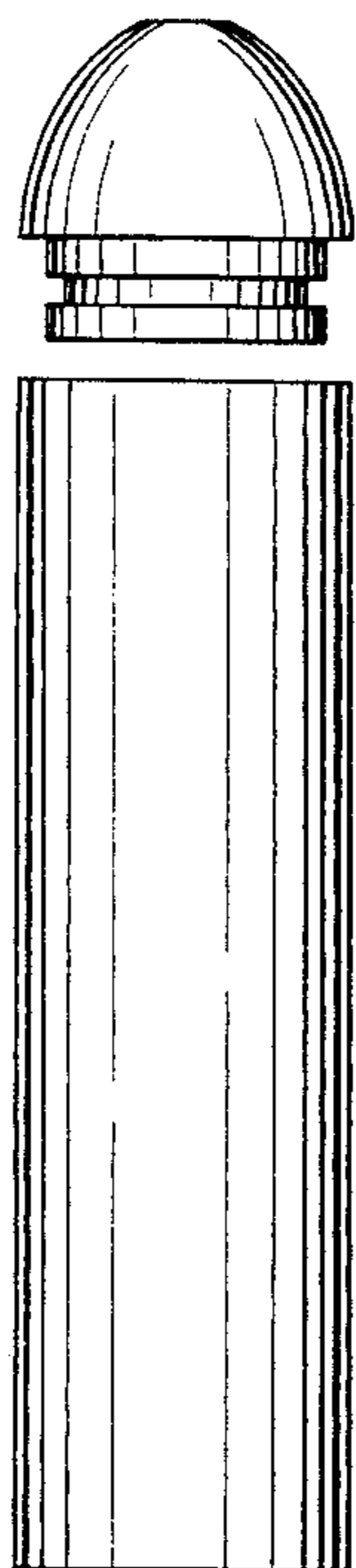
FIG. 7 is a plan view of the bearing alignment and wrench tool portion of the roller skate tool kit looking upwardly along the line 7—7 of FIG. 3;

FIG. 8 is a plan view illustrating the bottom surface of the cap of the roller skate tool kit looking upwardly along the line 8—8 of FIG. 3; and,

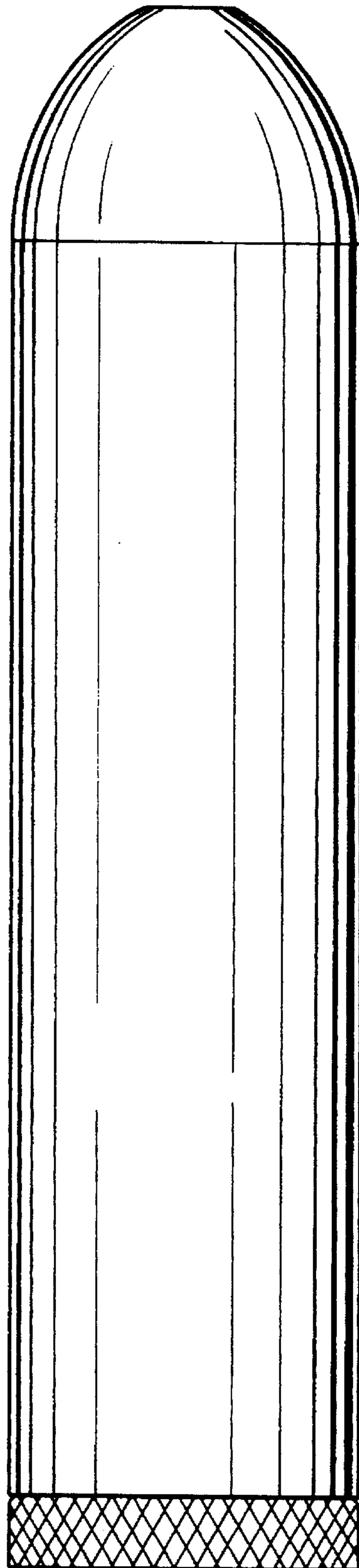
FIG. 9 is a bottom view of the cylindrical main body of the roller skate tool kit looking upwardly along the line 9—9 of FIG. 3, and the top plan view thereof is identical with FIG. 9.

The bottom of the roller skate tool kit of FIG. 1 is plain and unornamented.

**1 Claim, 5 Drawing Sheets**



*FIG. 1*



*FIG. 2*

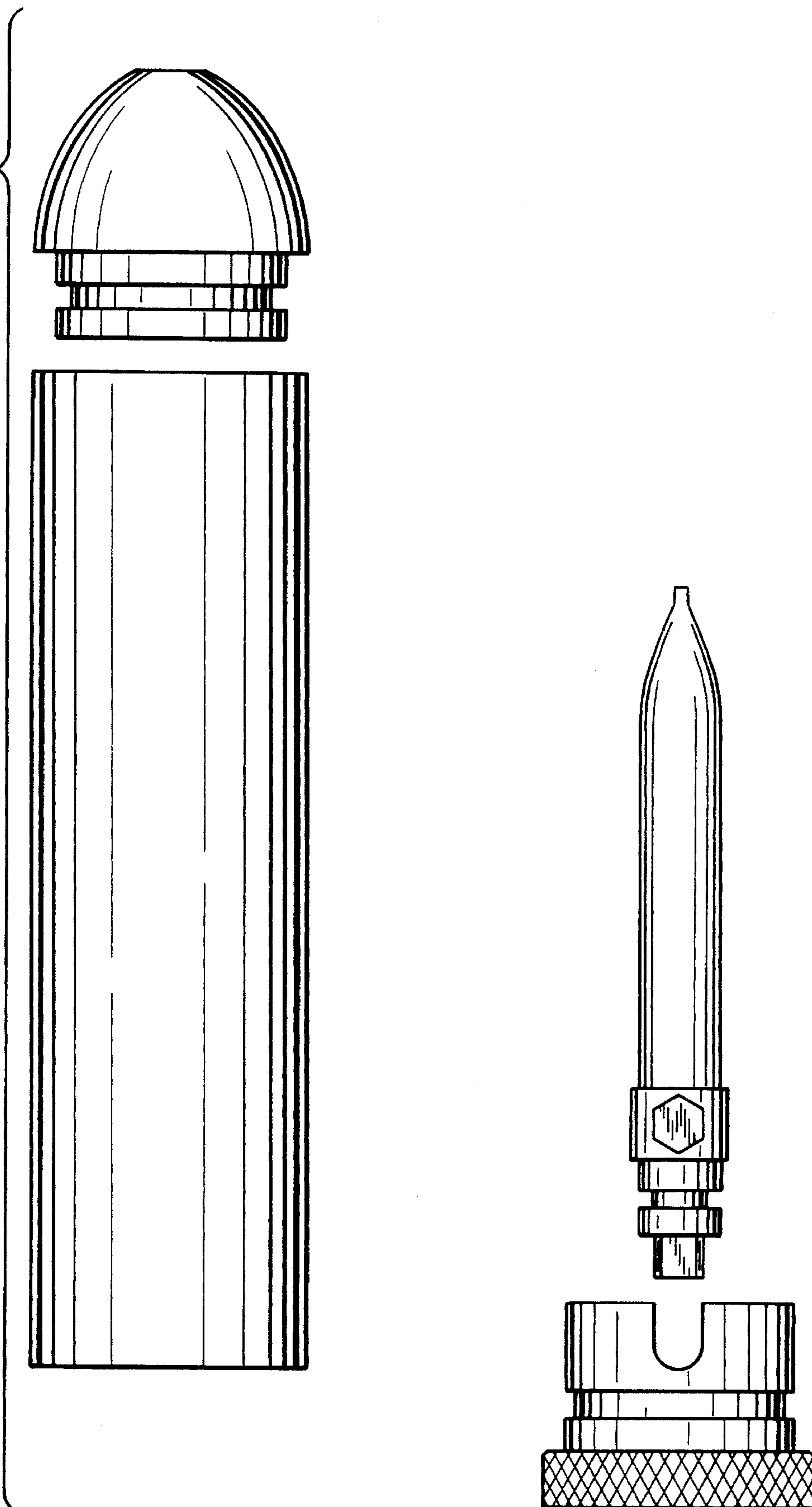
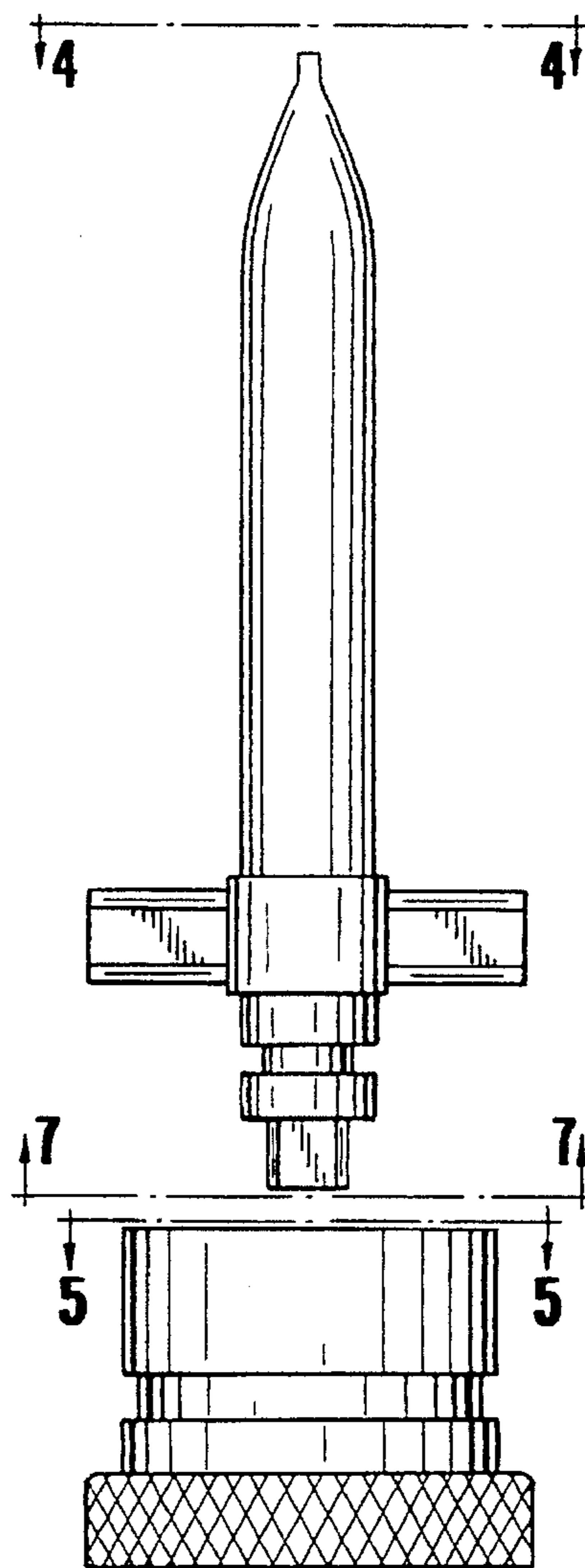
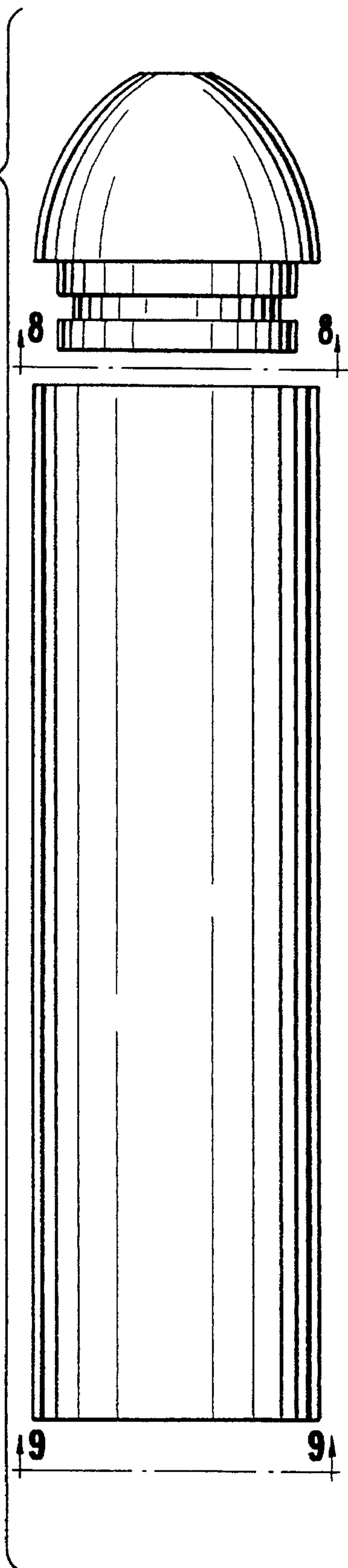
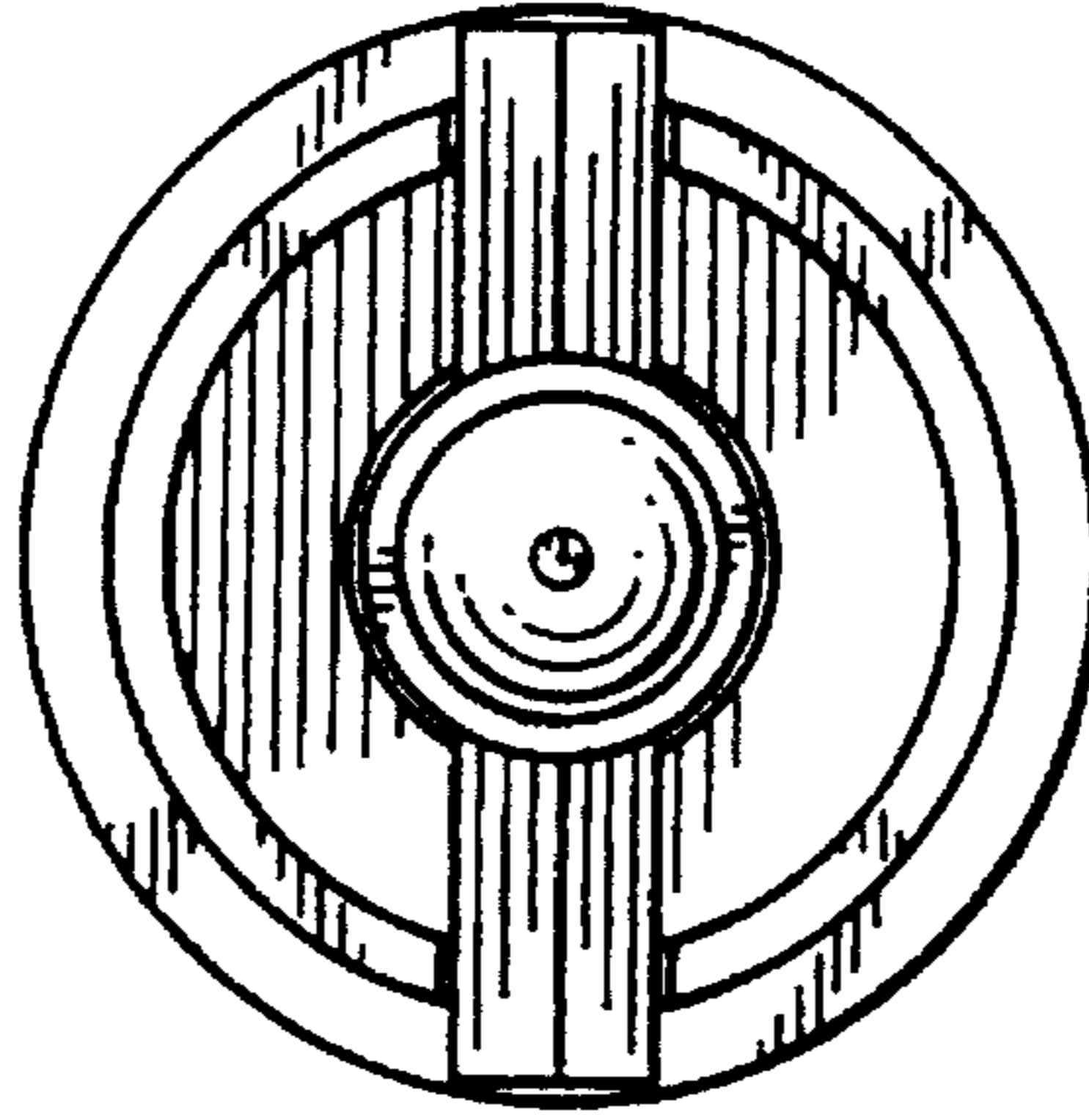


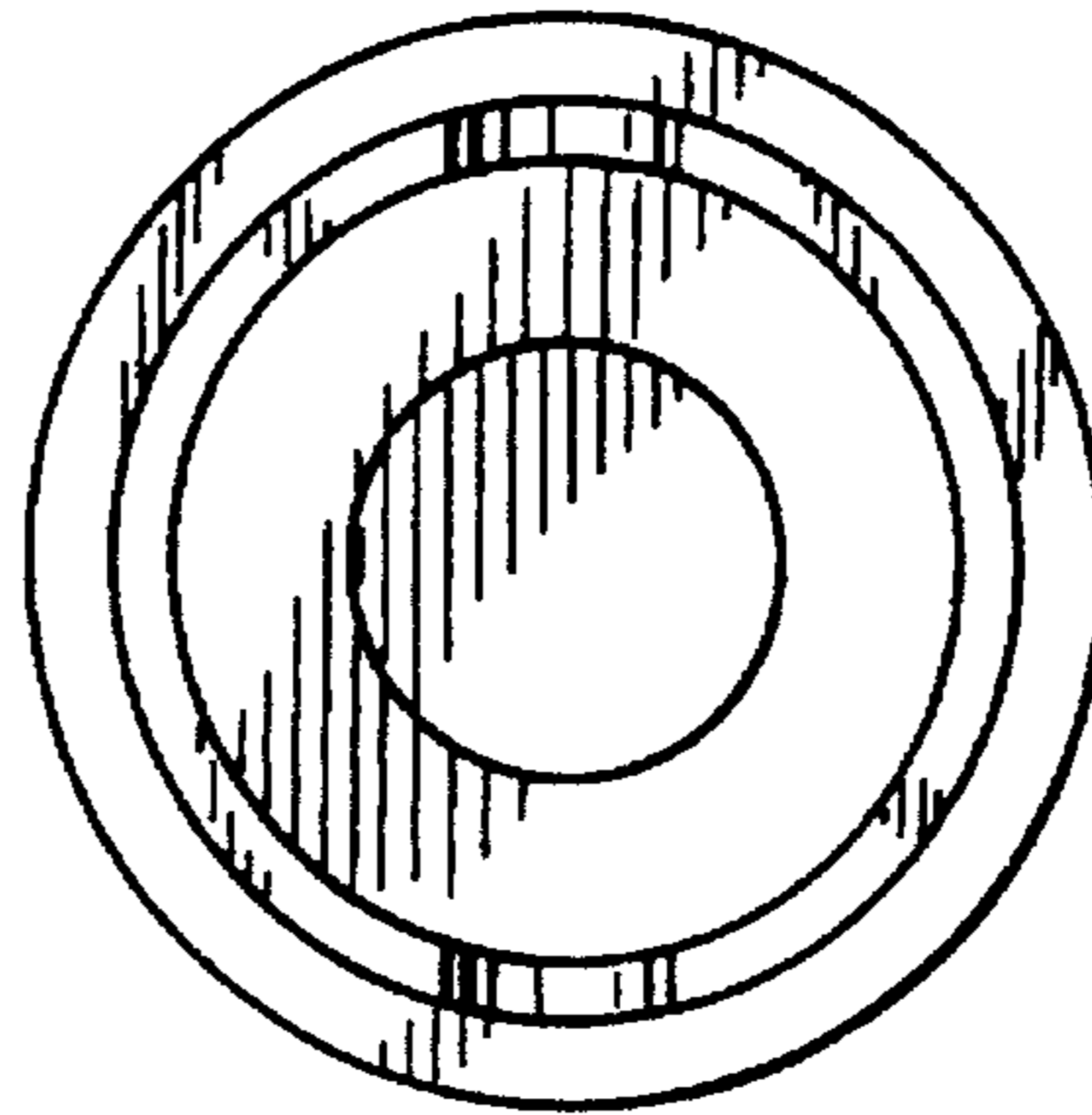
FIG. 3



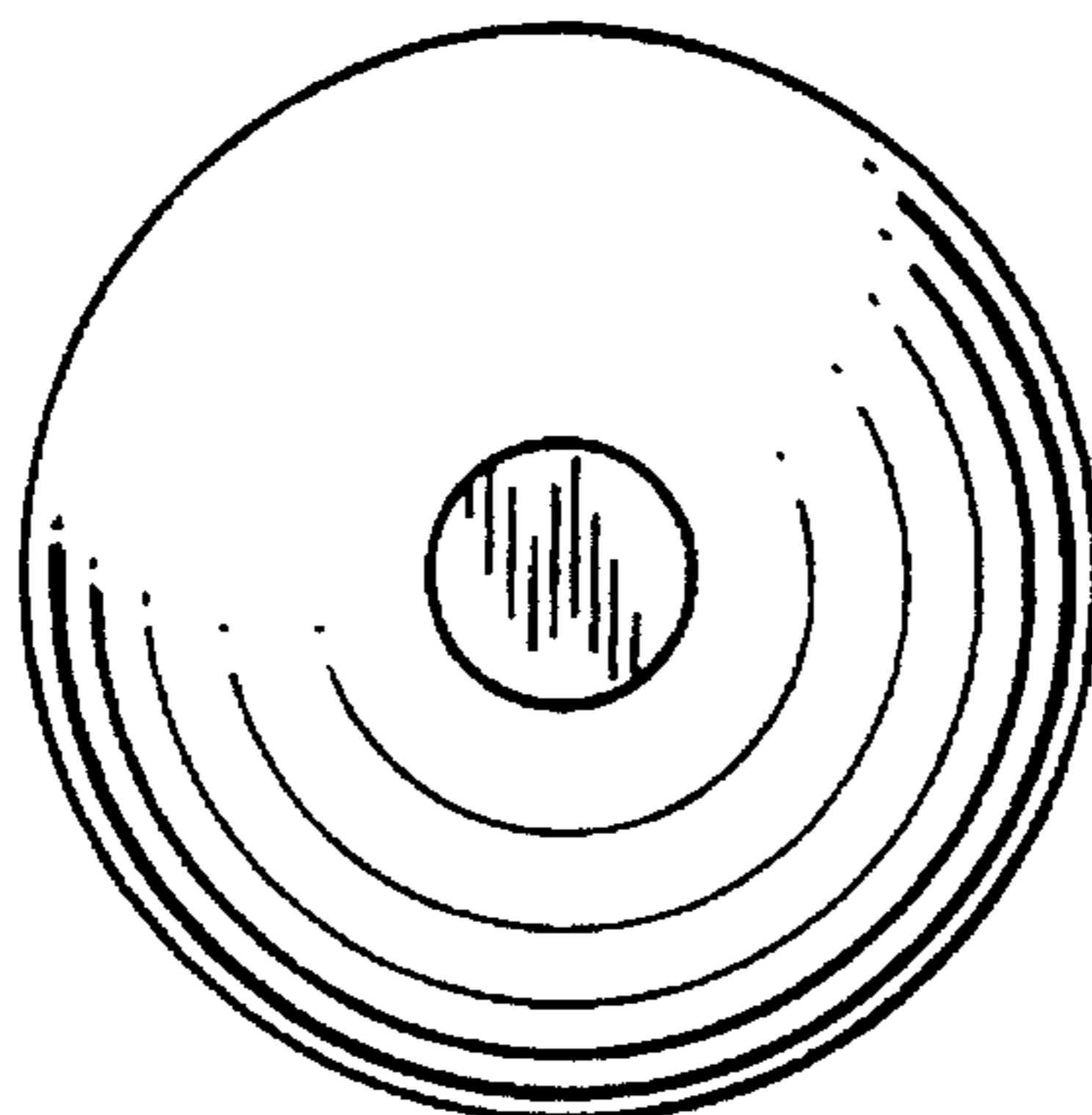
**FIG. 4**



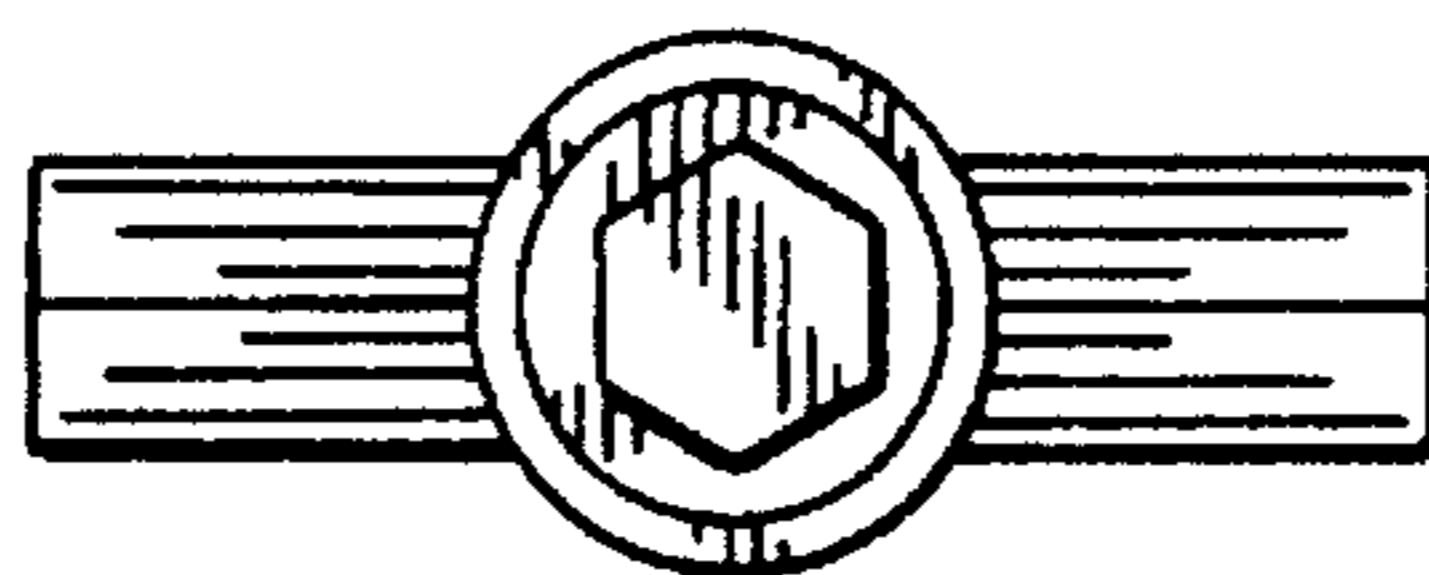
**FIG. 5**



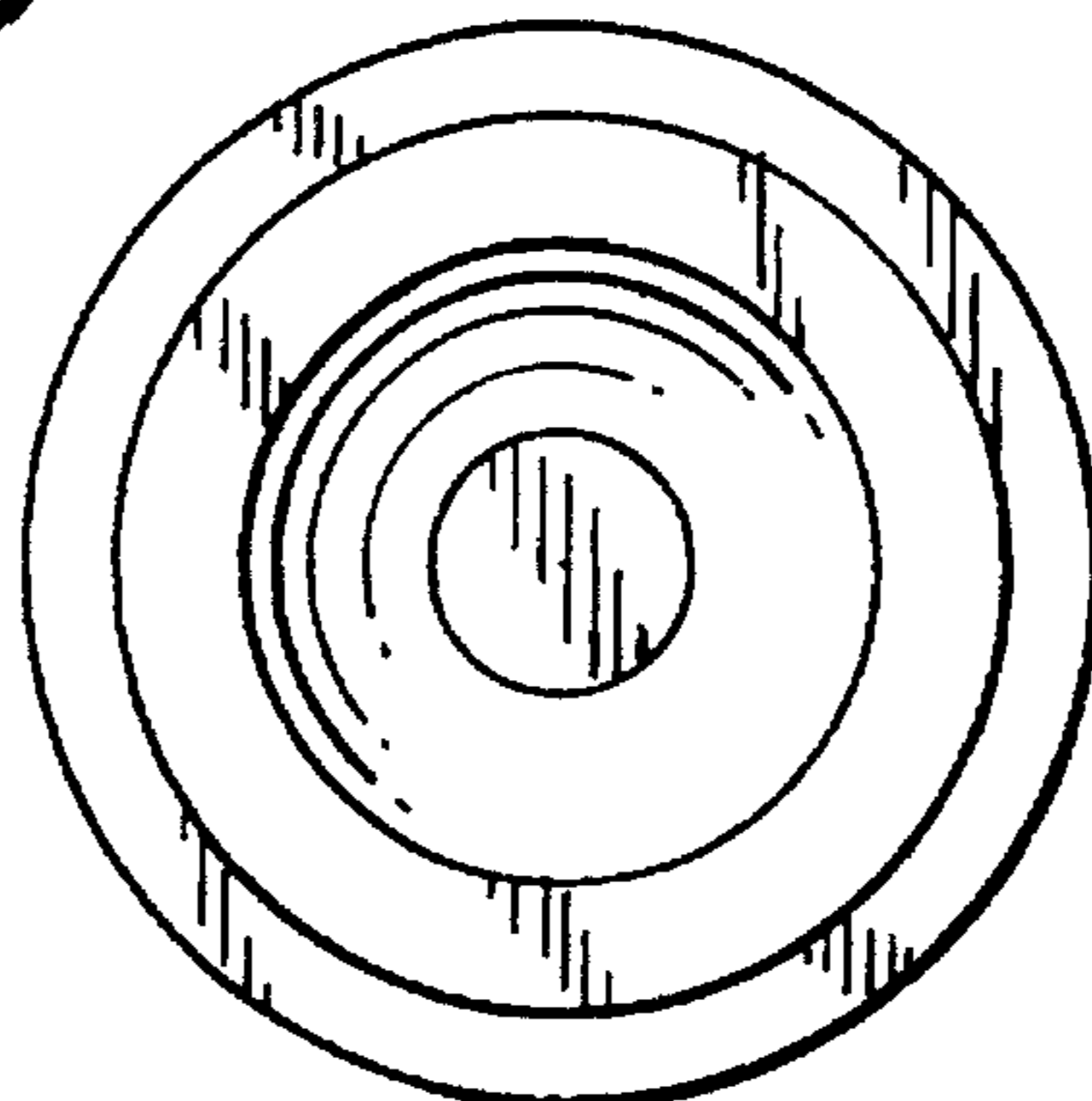
**FIG. 6**



**FIG. 7**



**FIG. 8**



**FIG. 9**

