



US00D373295S

United States Patent [19]
DiResta

[11] **Patent Number: Des. 373,295**

[45] **Date of Patent: **Sep. 3, 1996**

[54] **TOOL HOLDER**

[75] Inventor: **James D. DiResta**, Woodmere, N.Y.

[73] Assignee: **Natural Science Industries, Ltd.**, West Hempstead, N.Y.

[**] Term: **14 Years**

[21] Appl. No.: **30,558**

[22] Filed: **Nov. 1, 1994**

[52] **U.S. Cl.** **D8/71**

[58] **Field of Search** D8/14.1, 70, 70.1, D8/71, 107; D6/400; D15/140; 7/102; 29/275, 50; 72/414; 81/463, 487; 215/228

[56] **References Cited**

U.S. PATENT DOCUMENTS

3,685,126	8/1972	Kane	29/275
3,938,623	2/1976	Winston	D8/14.1 X
4,838,324	6/1989	Boyd	215/228
4,928,560	5/1990	Bang	81/463
5,012,709	5/1991	Su	81/463
5,461,900	10/1995	Gutierrez	81/463

OTHER PUBLICATIONS

Impact Wrench with Bits, #K-7032.6A, Brookstone Catalog #124B, Fall, 1976, p. 66.

Primary Examiner—B. J. Bullock

Assistant Examiner—Robert M. Spear
Attorney, Agent, or Firm—Schweitzer Cornman & Gross

[57] **CLAIM**

The ornamental design for a tool holder, as shown and described.

DESCRIPTION

FIG. 1 is a front elevation view of a tool holder embodying my new design;

FIG. 2 is an elevational view taken at a 135 degree offset about the vertical axis from the view of FIG. 1, the tool holder being symmetrical about the vertical axis;

FIG. 3 is a top plan view thereof;

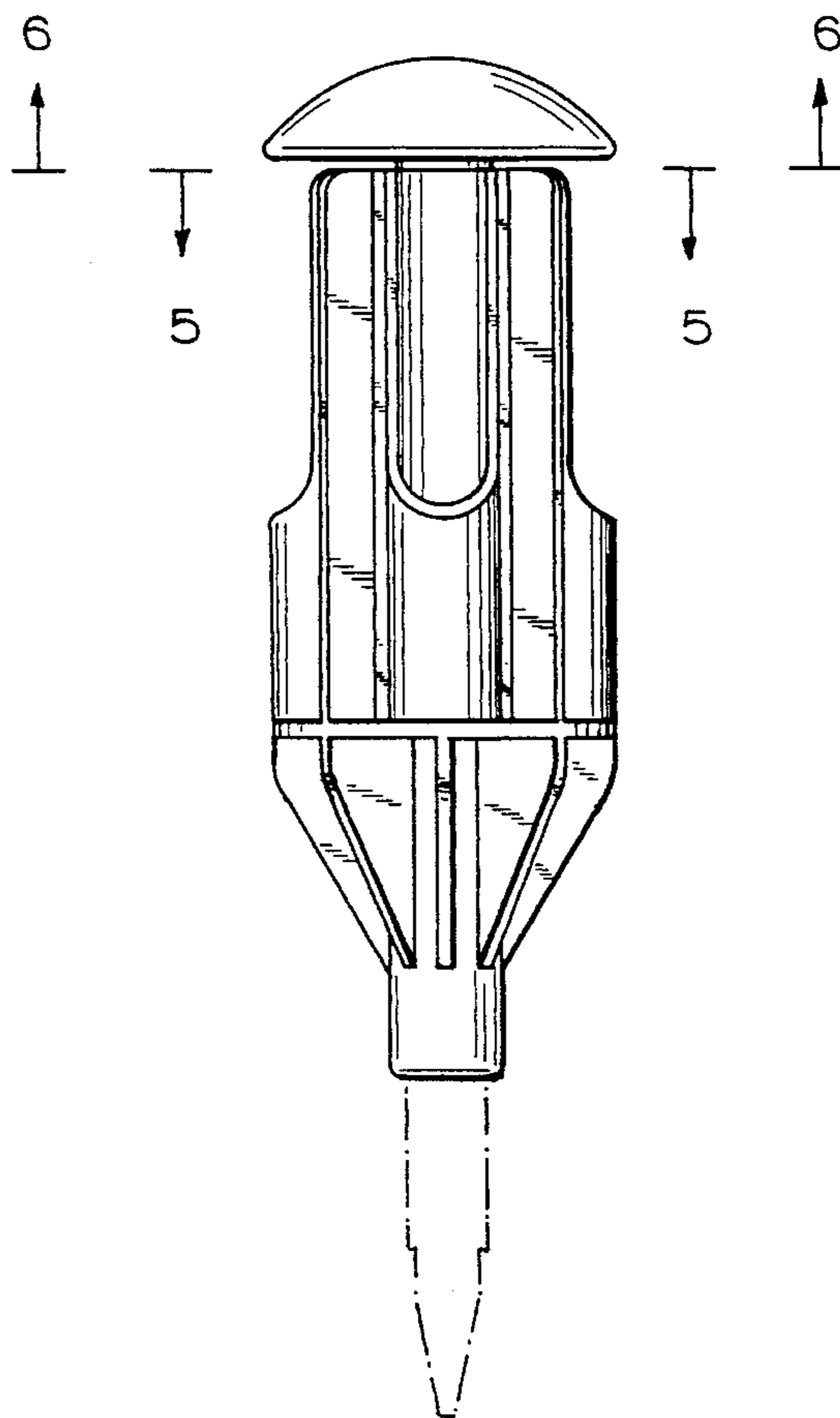
FIG. 4 is a bottom plan view thereof;

FIG. 5 is a cross sectional view thereof, taken in the direction of line 5—5 of FIG. 1; and,

FIG. 6 is a cross sectional view thereof, taken in the direction of line 6—6 of FIG. 1.

The broken line showing of a tool is for illustrative purposes only and forms no part of the claimed design.

1 Claim, 3 Drawing Sheets



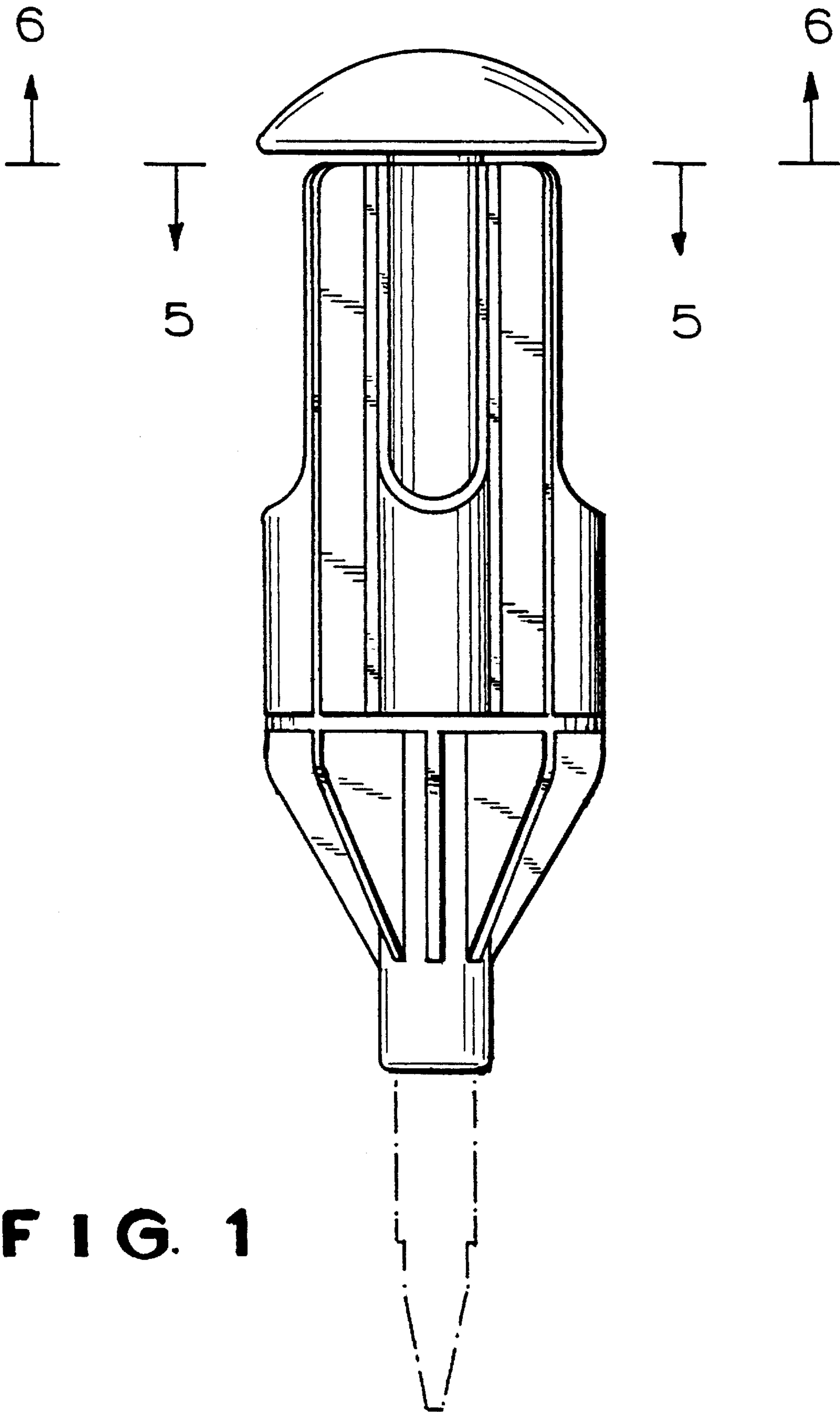


FIG. 1

FIG. 2

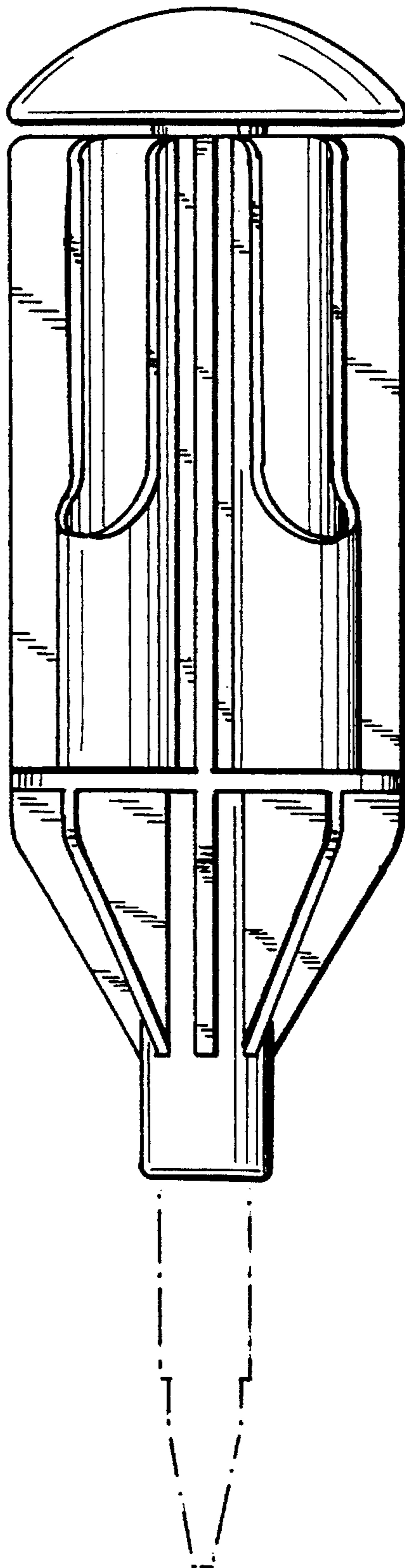


FIG. 3

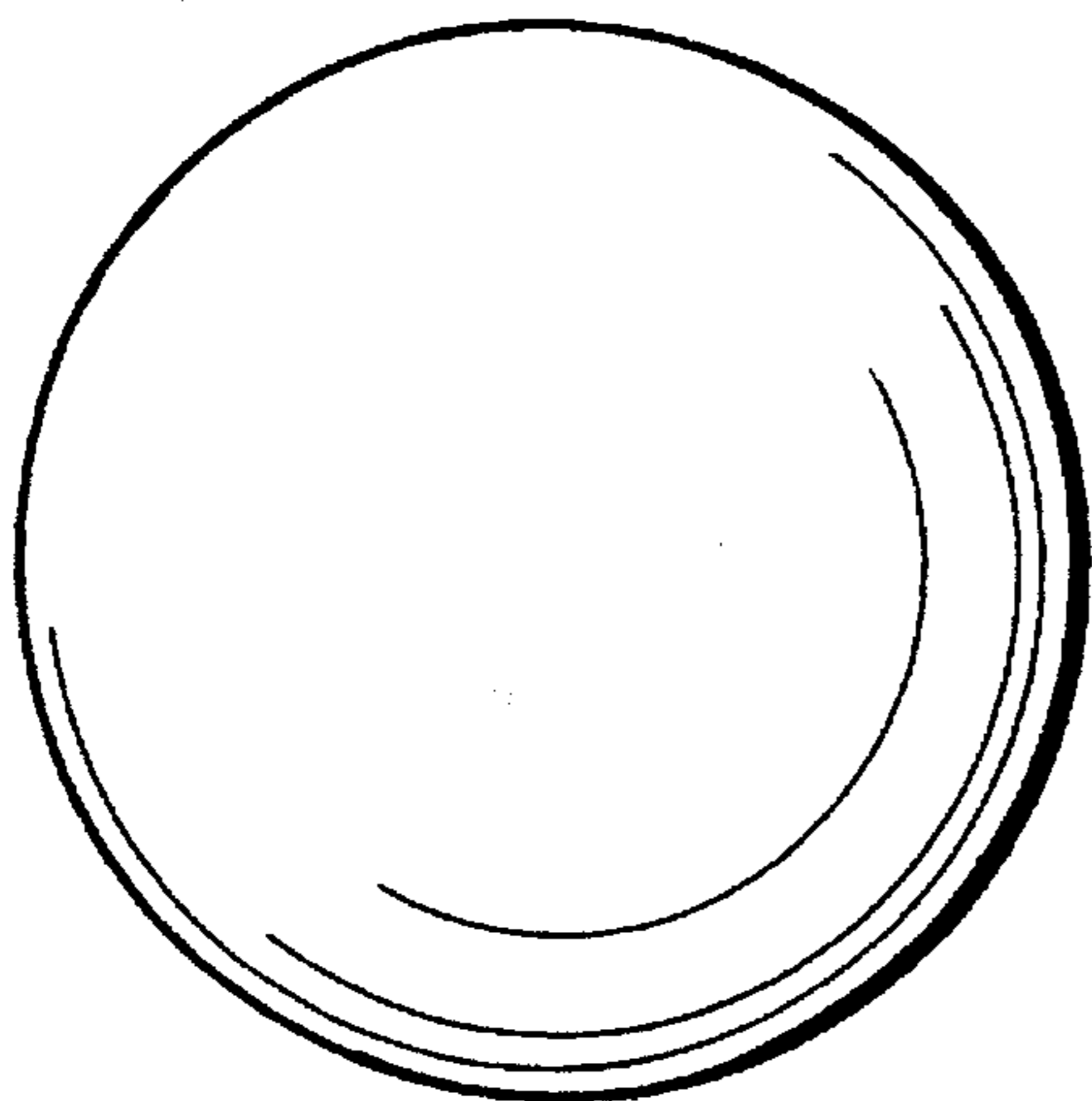


FIG. 4

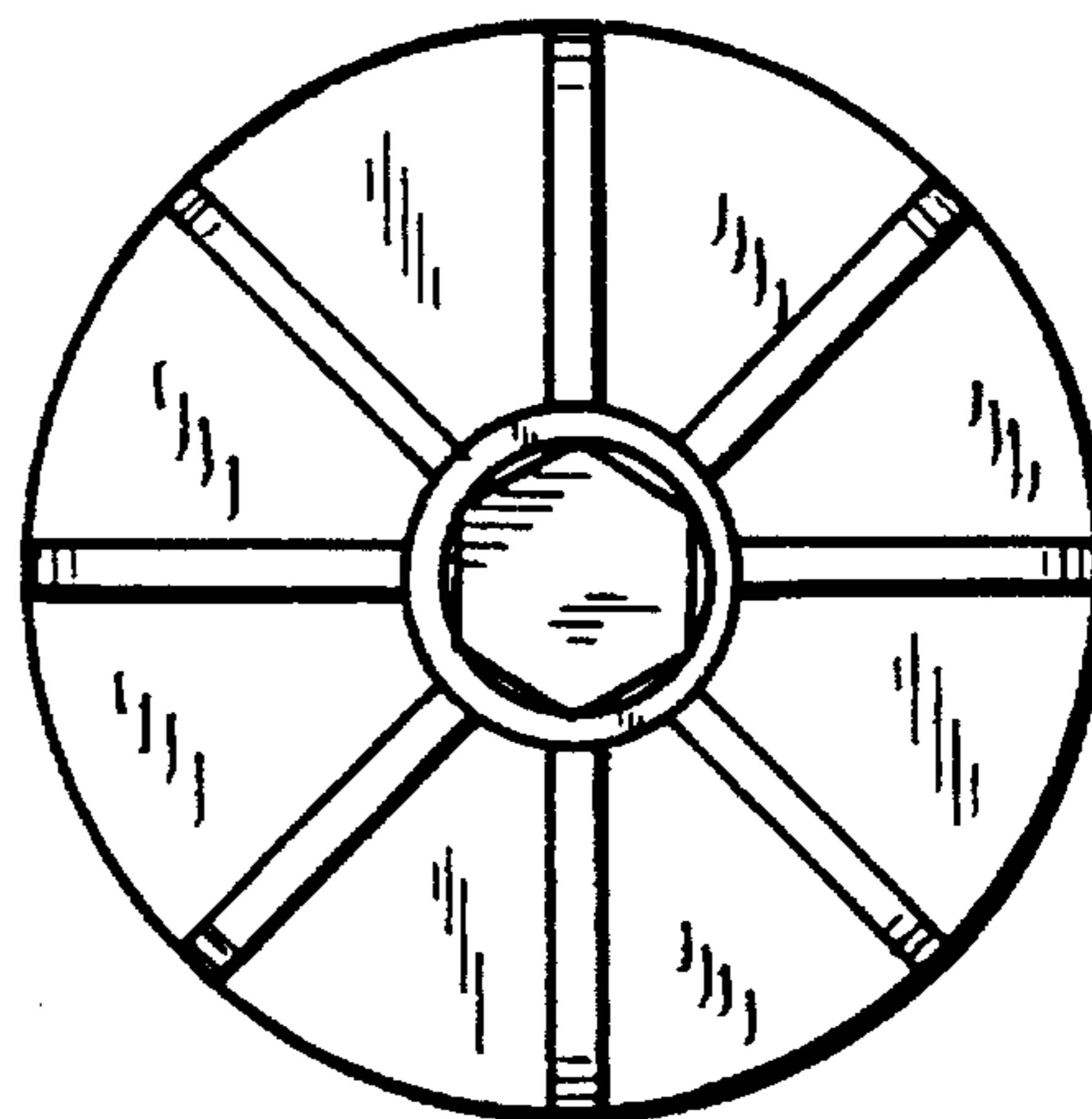


FIG. 5

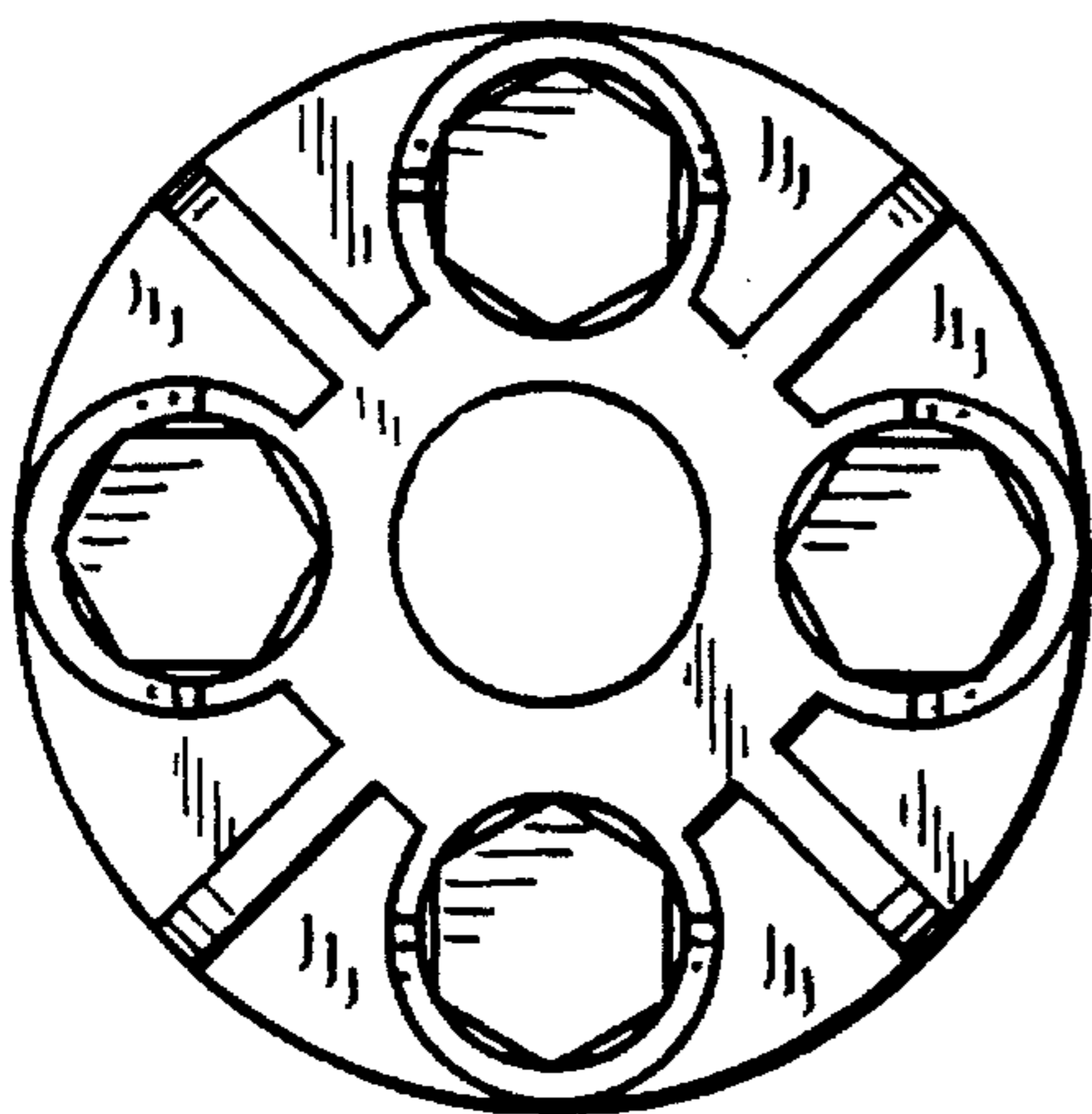


FIG. 6

