



US00D373292S

United States Patent [19]
Motley

[11] **Patent Number:** **Des. 373,292**
[45] **Date of Patent:** ****Sep. 3, 1996**

[54] **SNOW SHOVEL**

[76] Inventor: **Jeffrey A. Motley**, 138 Navajo Dr.,
Auburn, Pa. 17922

[**] Term: **14 Years**

[21] Appl. No.: **40,636**

[22] Filed: **Jun. 22, 1995**

[52] U.S. Cl. **D8/10**

[58] Field of Search **D8/10; 294/49-51,**
294/54.5, 55

5,074,064 12/1991 Nickels .
5,228,734 7/1993 Pollastro 294/51 X

FOREIGN PATENT DOCUMENTS

676597 6/1939 Germany .
808505 7/1951 Germany .

Primary Examiner—Holly H. Baynham
Attorney, Agent, or Firm—Dennis H. Lambert

[57] **CLAIM**

The ornamental design for a snow shovel, as shown and described.

[56] **References Cited**

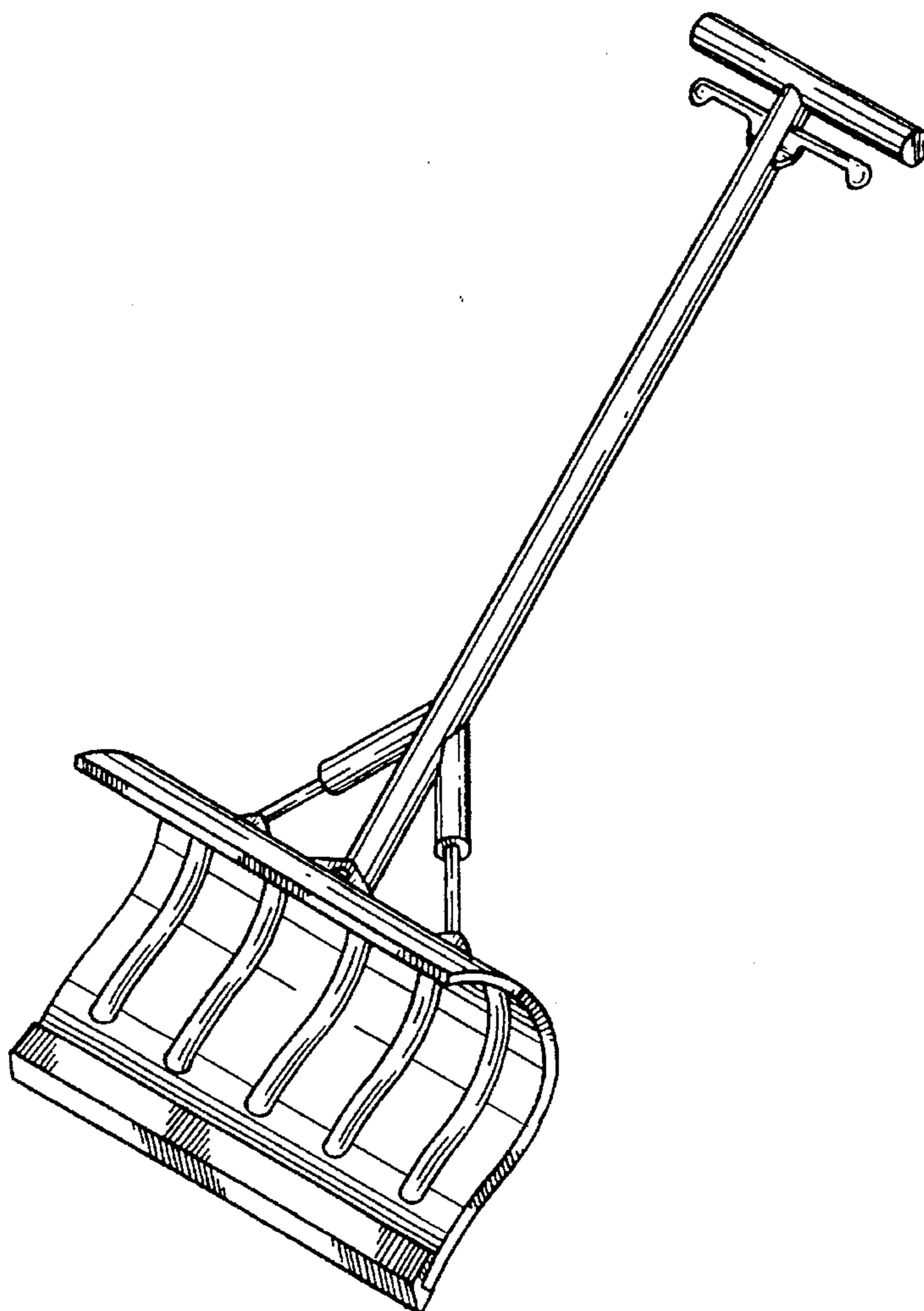
U.S. PATENT DOCUMENTS

D. 212,958	12/1968	Golenski	D8/10
D. 298,906	12/1988	Bonnes	D8/10
D. 307,378	4/1990	D'Alessandro	D8/10
D. 345,492	3/1994	Mele	D8/10
D. 360,342	7/1995	Shea	D8/10
2,598,952	6/1952	Weingart	.	
3,248,811	5/1966	Pravednekow	.	
3,475,838	11/1969	Hagen et al.	.	
4,214,385	7/1980	Baranowski et al.	.	
4,691,954	9/1987	Shaud	.	

DESCRIPTION

FIG. 1 is a front, top and side perspective view of the snow shovel embodying the design of the present invention;
FIG. 2 is a front elevational view thereof;
FIG. 3 is a rear elevational view thereof;
FIG. 4 is a side elevational view thereof, the side opposite being a mirror image of the side shown in FIG. 4;
FIG. 5 is a top plan view thereof; and,
FIG. 6 is a bottom plan view thereof.

1 Claim, 4 Drawing Sheets



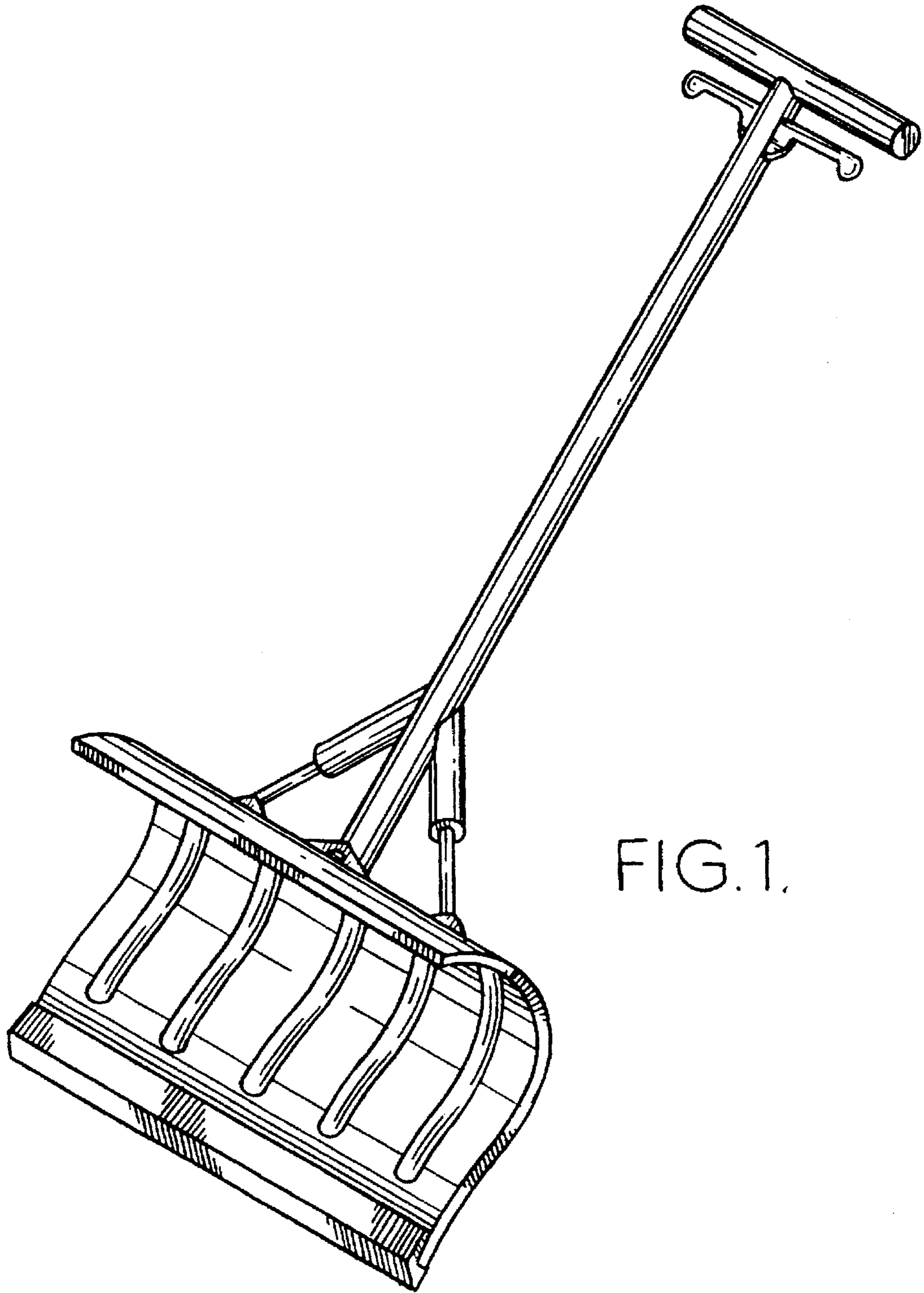


FIG. 1.

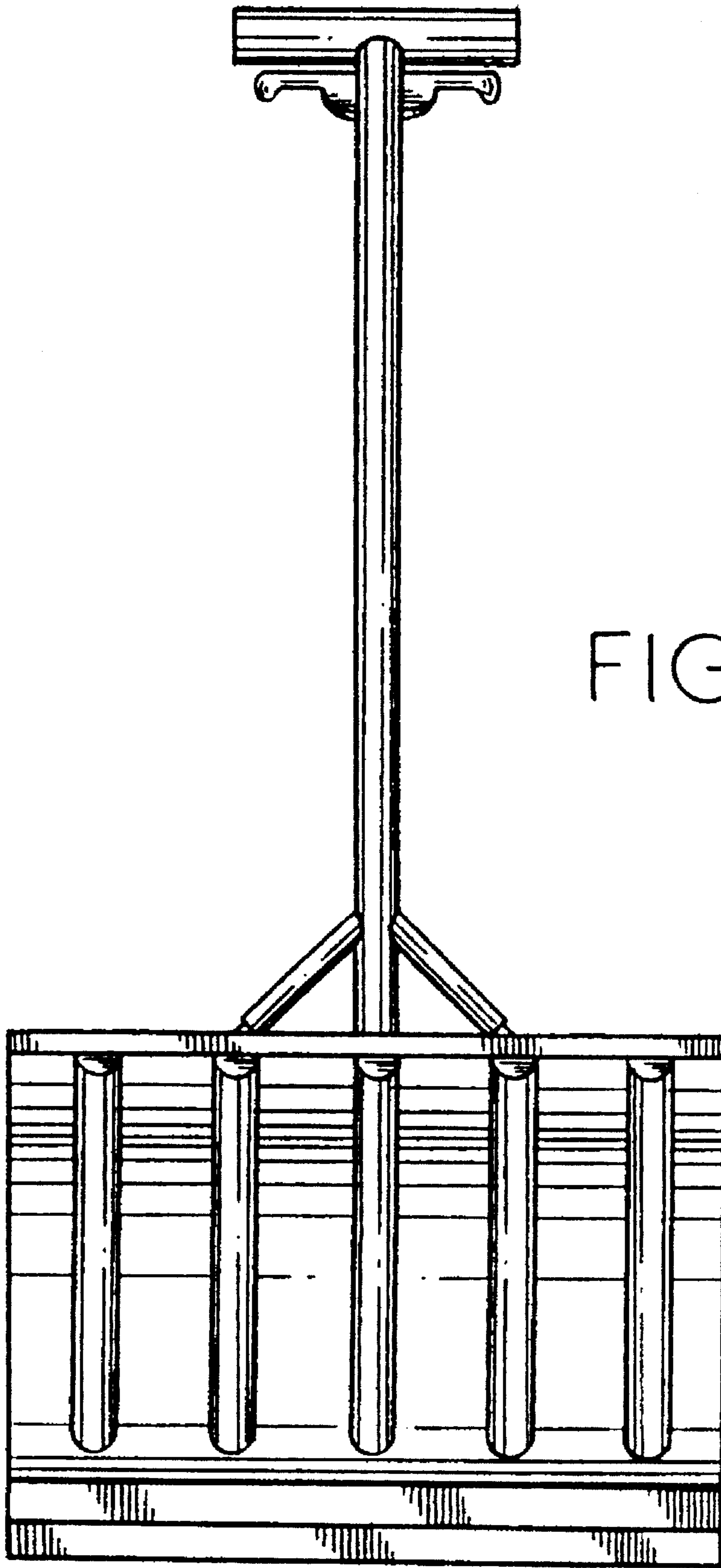


FIG. 2.

