



US00D373291S

United States Patent [19]

[11] Patent Number: **Des. 373,291**

Auker

[45] Date of Patent: ****Sep. 3, 1996**

[54] **SIFTER FOR SEPARATING DEBRIS FROM GARDEN SOIL**

Primary Examiner—Holly H. Baynham
Attorney, Agent, or Firm—Dennis H. Lambert

[76] Inventor: **Byron R. Auker**, 74-5086 Hanahanai Loop, Kailua Kona, Hi. 96740

[57] **CLAIM**

[**] Term: **14 Years**

The ornamental design for a sifter for separating debris from garden soil, as shown and described.

[21] Appl. No.: **35,805**

DESCRIPTION

[22] Filed: **Mar. 7, 1995**

[52] U.S. Cl. **D8/1; D7/667**

[58] Field of Search **D8/1; 209/376, 209/374, 352; D7/667**

FIG. 1 is a front, top and side exploded perspective view of the sifter for separating debris from garden soil embodying the design of the present invention;

[56] **References Cited**

U.S. PATENT DOCUMENTS

102,639	5/1870	Wilson	209/376
D. 185,399	6/1959	Tupper	D7/667
D. 263,269	3/1982	Strathman	D7/667
267,049	11/1882	Wilson	209/414
D. 318,986	8/1991	DeCoster et al.	D7/667
D. 353,298	12/1994	Hartpence, Jr. et al.	D7/667 X
501,299	7/1893	Roth	209/376
1,373,297	3/1921	Brown	209/374
3,386,580	6/1968	Grabarczyk	209/355 X
3,426,898	2/1969	Cruickshank	209/245
4,350,584	9/1982	Donington	209/352
4,534,858	8/1985	Aldrich	209/374 X

FIG. 2 is a front elevational view of the claimed design fully assembled and the rear view being identical in appearance;

FIG. 3 is a side elevational view thereof with the opposite side being identical in appearance;

FIG. 4 is a top plan view thereof;

FIG. 5 is a bottom plan view thereof;

FIG. 6 is a top, front and side perspective view thereof, with portion broken away showing a perforated sifter plate sitting on a ledge inside the sifter housing; and,

FIG. 7 is an environmental top, front and side, partially broken away perspective view with the broken line showing of a bucket being for illustrative purposes only and forming no part of the claimed design.

FOREIGN PATENT DOCUMENTS

556352	9/1943	United Kingdom	431/327
--------	--------	----------------------	---------

OTHER PUBLICATIONS

Green River Tools, Oct. 7, 1985, p. 23, compost screen, item E located in upper left corner of page.

Brookstone Yard and Garden, 1985, p. 6, sifter, located in upper left corner of page.

The claimed design is shown partially broken away in FIGS. 6 and 7 for clarity of illustration.

1 Claim, 4 Drawing Sheets

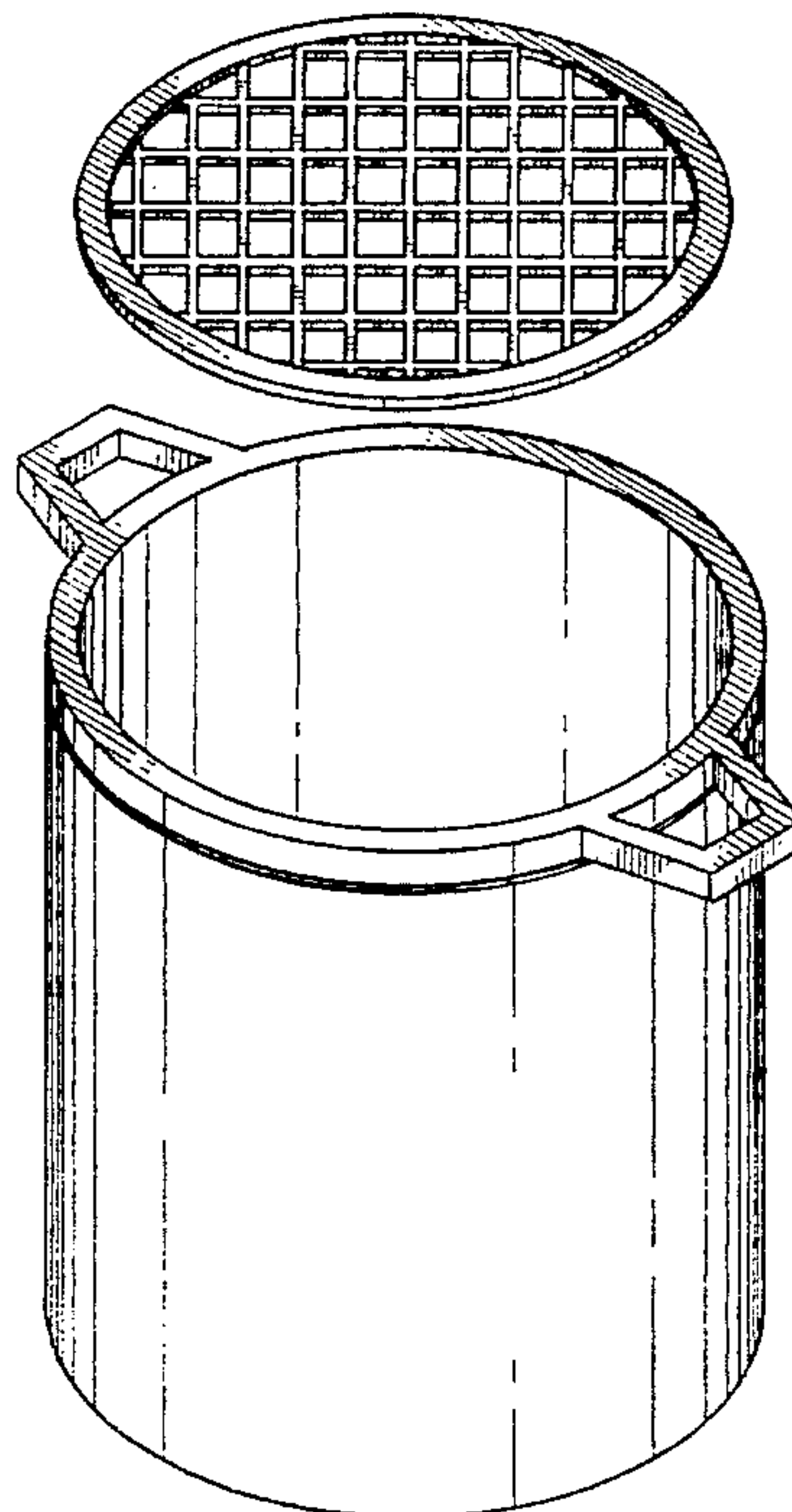
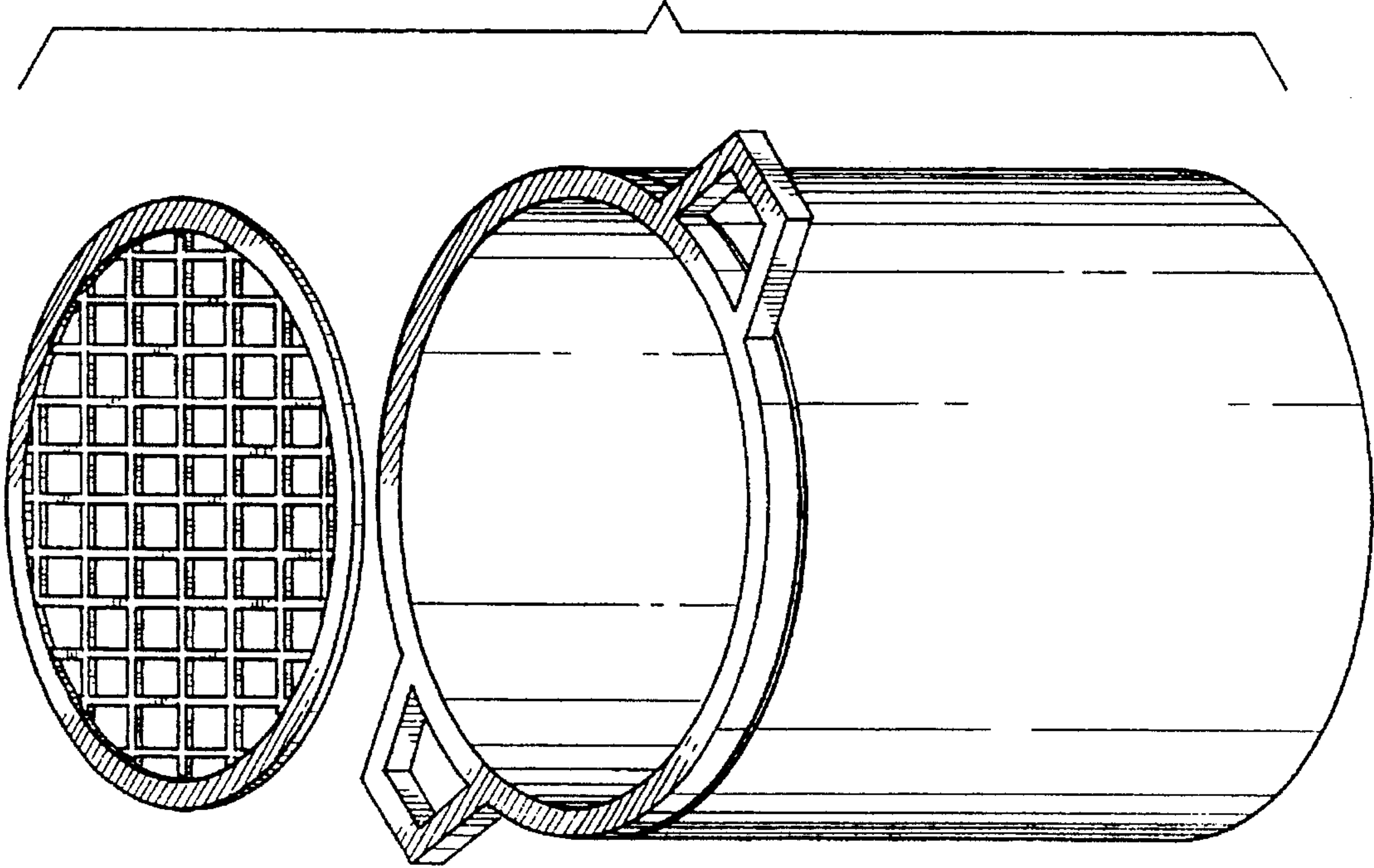


FIG. 1



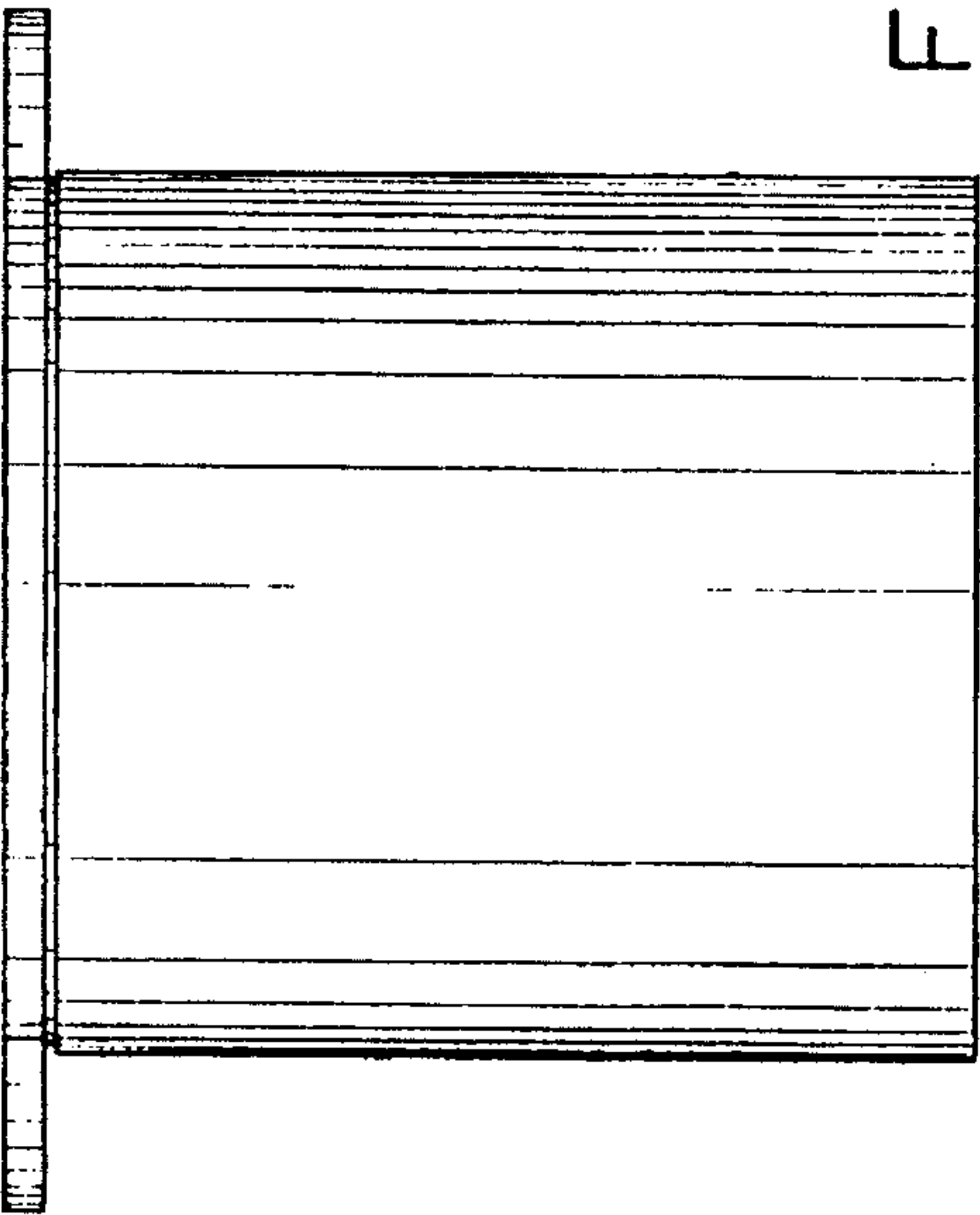


FIG. 2

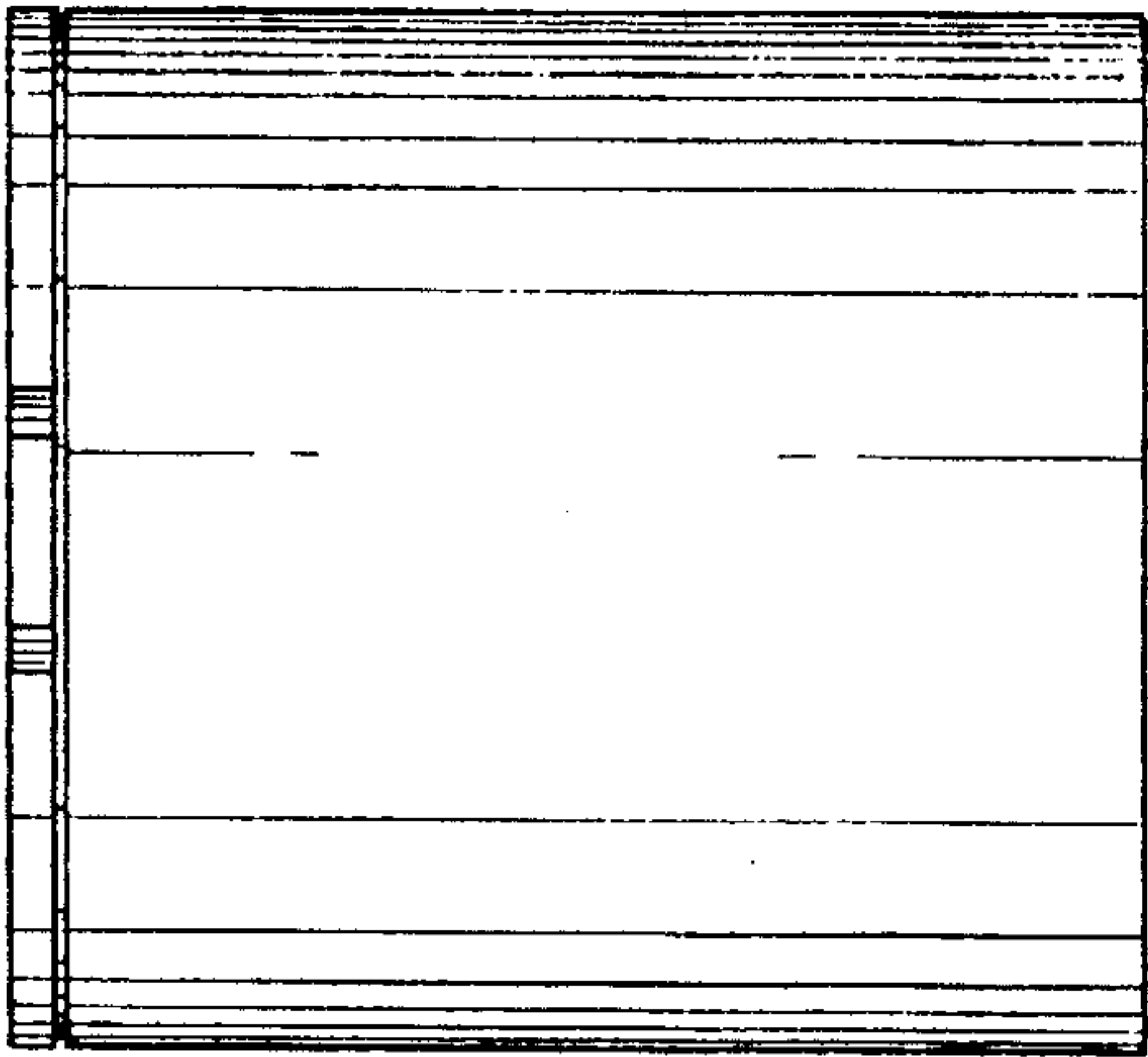


FIG. 3

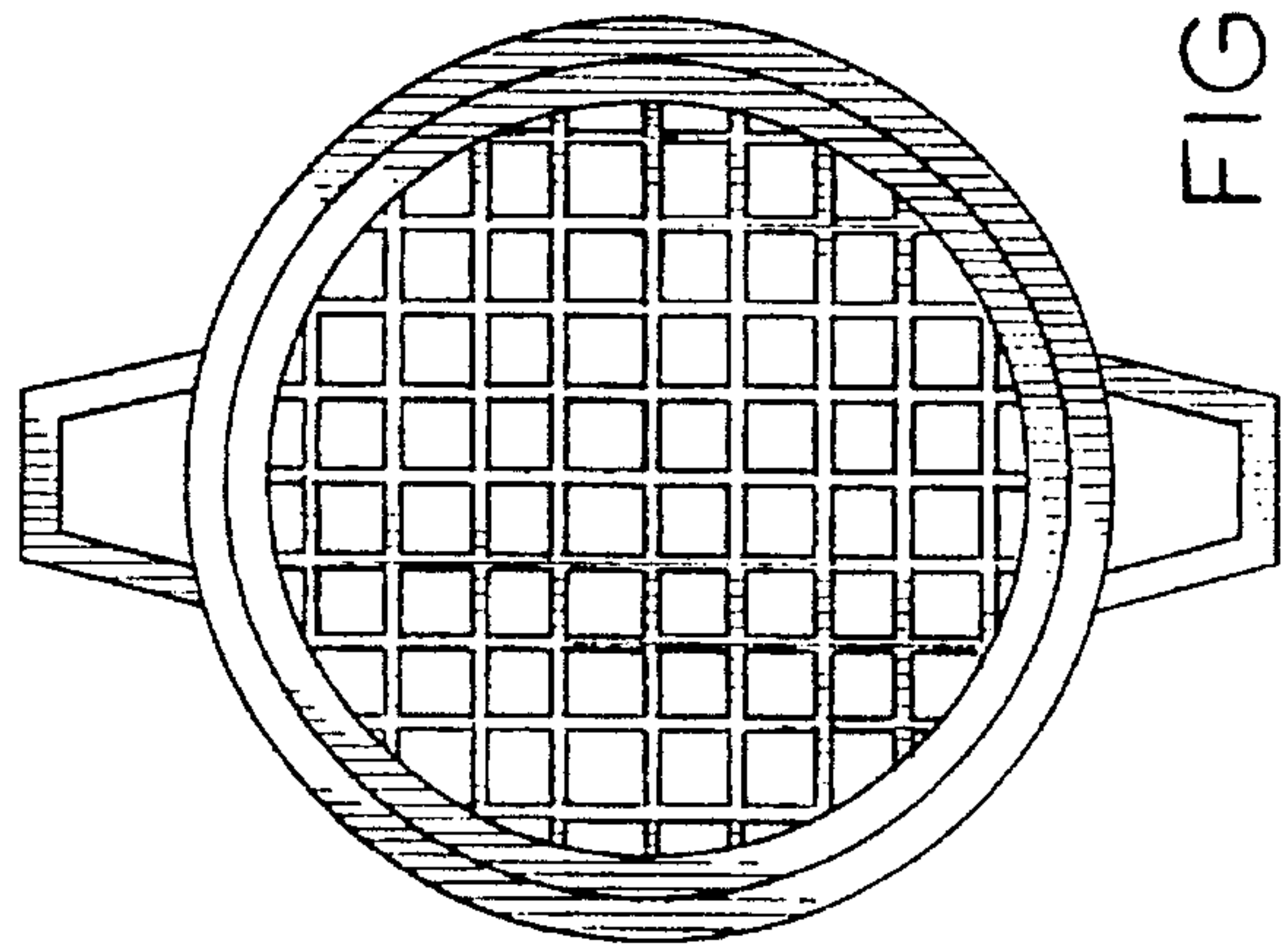


FIG. 4

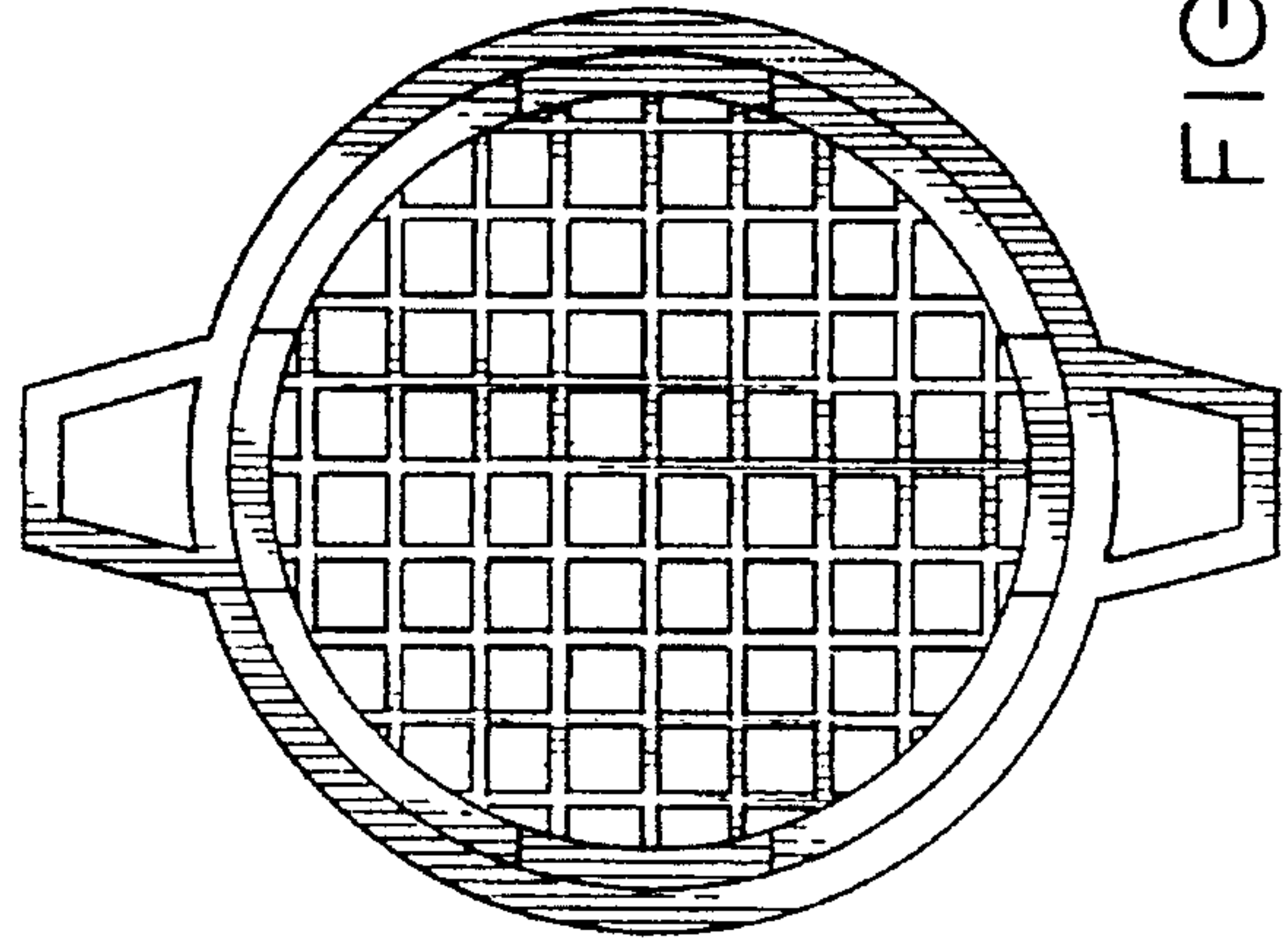


FIG. 5

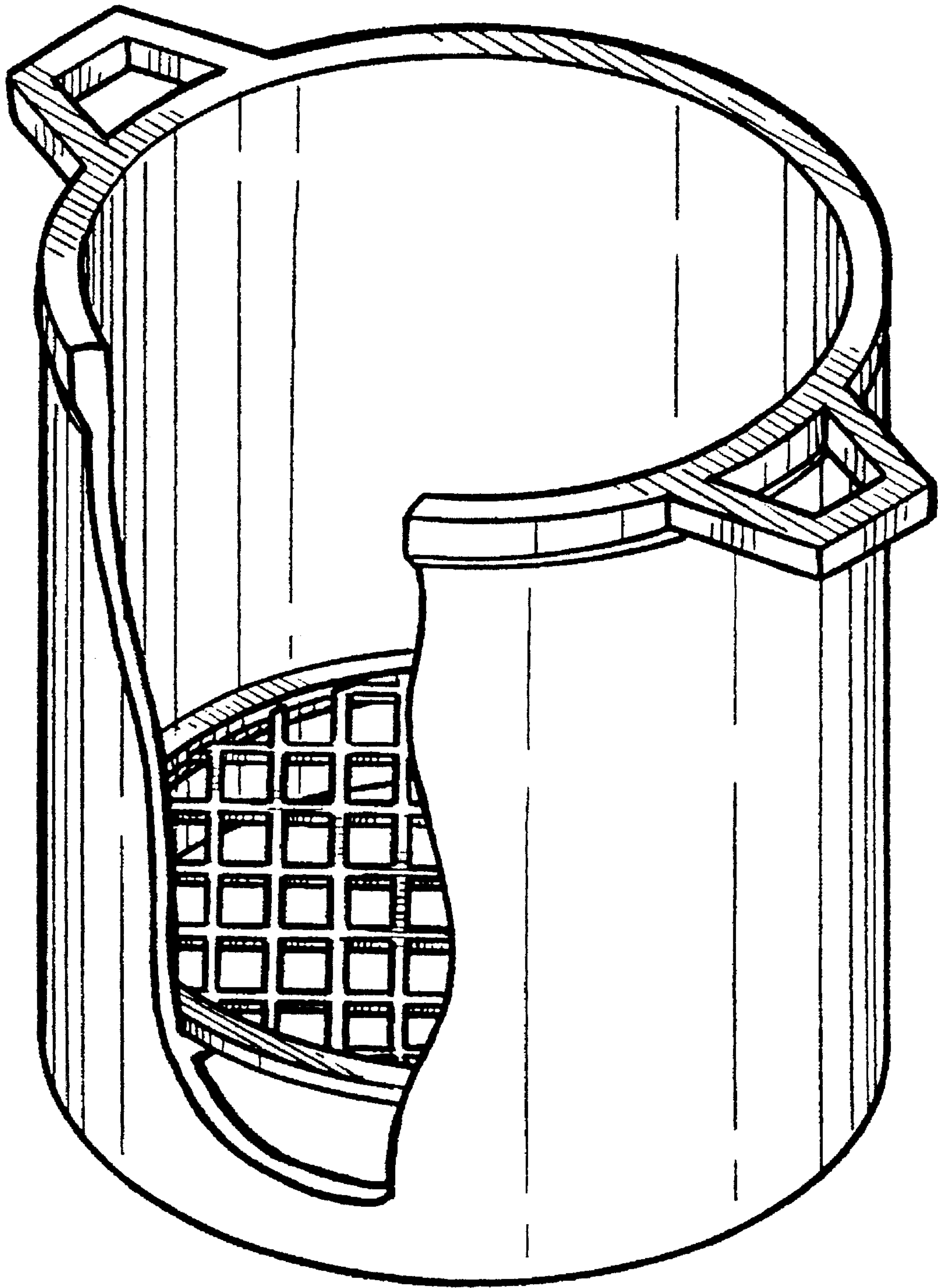


FIG. 6

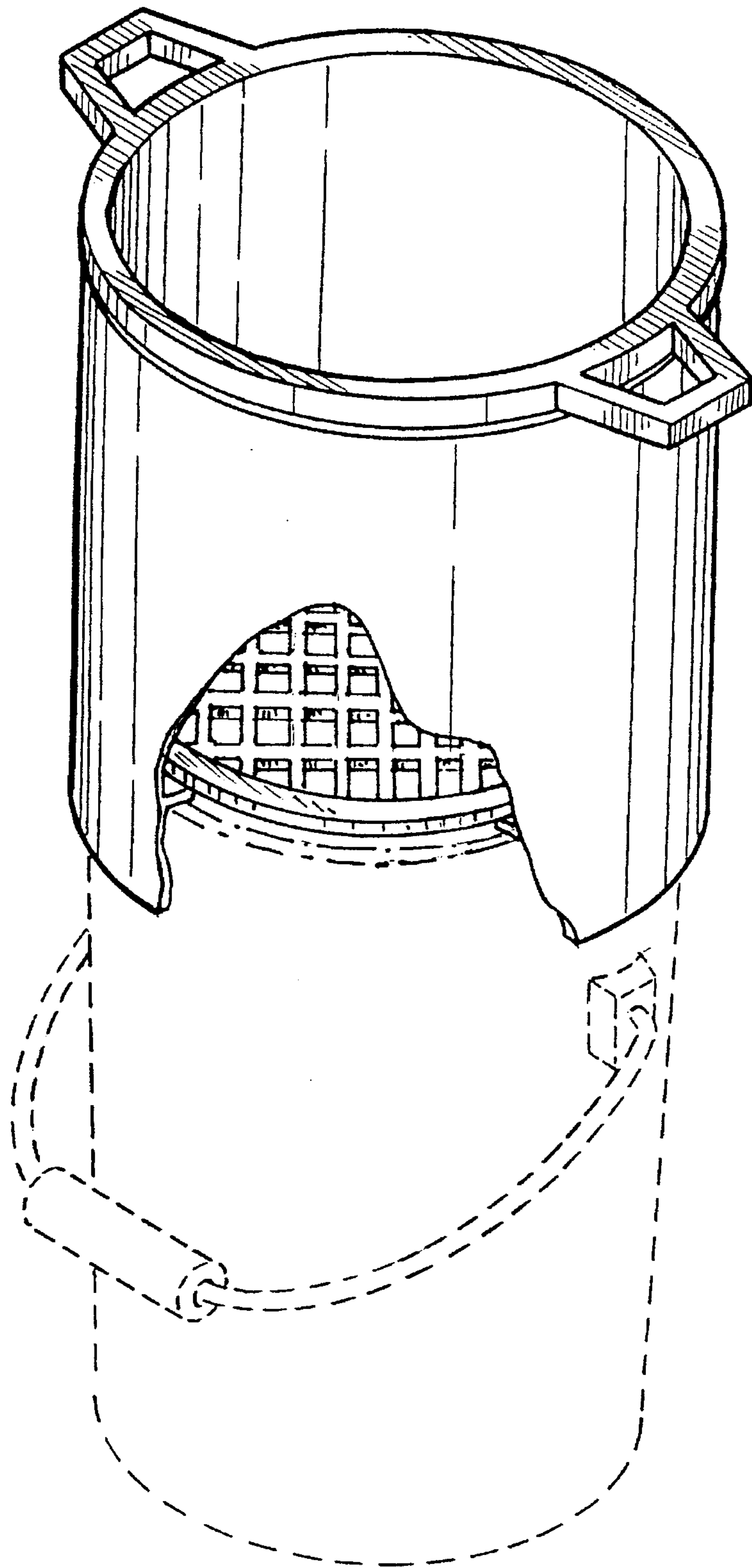


FIG. 7