



US00D373285S

United States Patent [19]

[11] Patent Number: **Des. 373,285**

Coroama et al.

[45] Date of Patent: ****Sep. 3, 1996**

[54] BARBECUE PLATE

[75] Inventors: **John Coroama**, 6691 Hazad Ave., Westminster, Calif. 92683; **John P. Yasuda**, 18905 Vista Portola, Trabuco Canyon, Calif. 92679-1102

[73] Assignees: **John Coroama; Mircea Lupu; John P. Yasuda**, all of Trabuco Canyon, Calif.

[**] Term: **14 Years**

[21] Appl. No.: **13,831**

[22] Filed: **Oct. 4, 1993**

[52] U.S. Cl. **D7/359; D7/360**

[58] Field of Search **D7/323, 354, 359, D7/409, 360; 99/339, 425, 445, 444, 446**

[56] References Cited

U.S. PATENT DOCUMENTS

79,056	6/1868	Denn	99/401
D. 85,804	12/1931	Axford	D7/359
D. 257,115	9/1980	Anderson	D7/359
D. 296,409	6/1988	Pomroy	D7/359
D. 308,799	6/1990	Yamada et al.	D7/359
D. 340,835	11/1993	Lupa et al.	D7/409
1,707,532	4/1929	Moon	D7/359 X
1,936,551	11/1933	Garrison	D7/357 X
1,974,796	9/1934	Davis	99/425
1,988,871	1/1935	Kennedy et al.	99/425
2,008,767	6/1935	Munn	99/425
2,198,647	4/1940	Wolcott	99/425 X
2,328,978	9/1943	Hennessy	99/425
2,370,595	2/1945	Volks	99/425 X
2,411,993	12/1946	Hobson	99/425
2,849,949	9/1958	Trachtman	99/425
2,908,214	10/1959	Persinger	99/445
3,092,015	6/1963	Tucker et al.	99/446
3,308,747	3/1967	Spagnolo	99/400
3,443,510	5/1969	Norton	99/445

3,552,301	1/1971	McNeff	99/445
3,842,726	10/1974	Fautz	99/425
3,853,046	12/1974	Pretorius	99/449
3,989,028	11/1976	Berger	99/446 X
4,542,271	9/1985	Tanonis et al.	99/DIG. 15 X
4,598,634	7/1986	Van Horn, II	99/425 X
4,608,917	9/1986	Faaborg	99/425 X

OTHER PUBLICATIONS

Fortunoff Catalog, Apr. 2, 1985, p. D, #D-6, Bacon 'N Roast Rack.

Hong Kong Enterprise, Oct. 1982, Back Cover, Meyer Party Grill.

Primary Examiner—Nelson C. Holtje

Assistant Examiner—Caron D. Veynar

Attorney, Agent, or Firm—Knobbe, Martens Olson & Bear

[57] CLAIM

The ornamental design for a barbecue plate, as shown and described.

DESCRIPTION

FIG. 1 is a top right rear perspective view of the barbecue plate showing our new design;

FIG. 2 is a rear elevational view of the barbecue plate of FIG. 1;

FIG. 3 is a left elevational view of the barbecue plate of FIG. 1, the right elevational view being a mirror image thereof;

FIG. 4 is a top plan view of the barbecue plate of FIG. 1;

FIG. 5 is a front elevational view of the barbecue plate of FIG. 1;

FIG. 6 is a bottom plan view of the barbecue plate of FIG. 1;

FIG. 7 is a cross-sectional view of the barbecue plate of FIG. 1 taken along line 7-7 of FIG. 4; and,

FIG. 8 is a cross-sectional view of the barbecue plate of FIG. 1 taken along line 8-8 of FIG. 4.

1 Claim, 3 Drawing Sheets

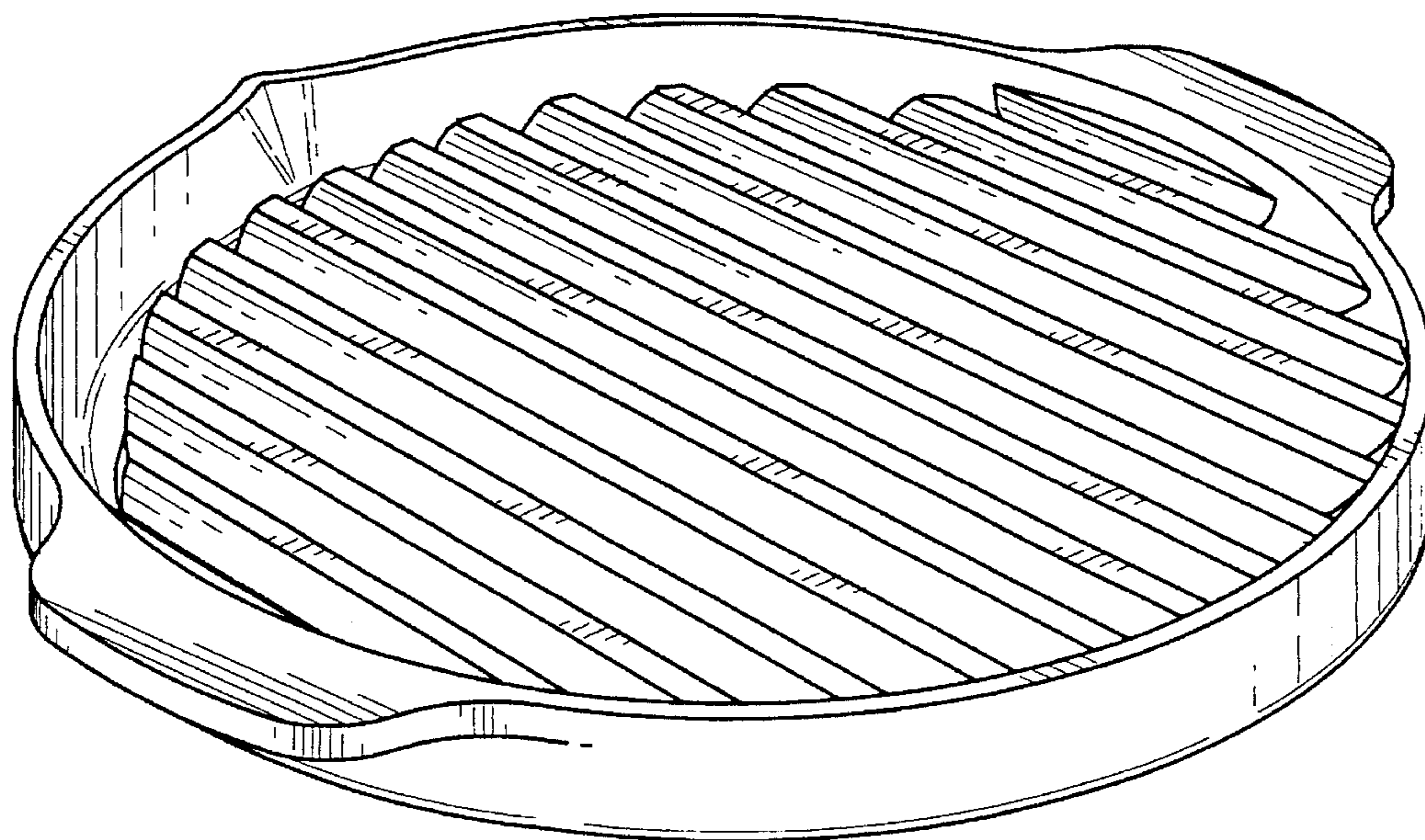


FIG. 1

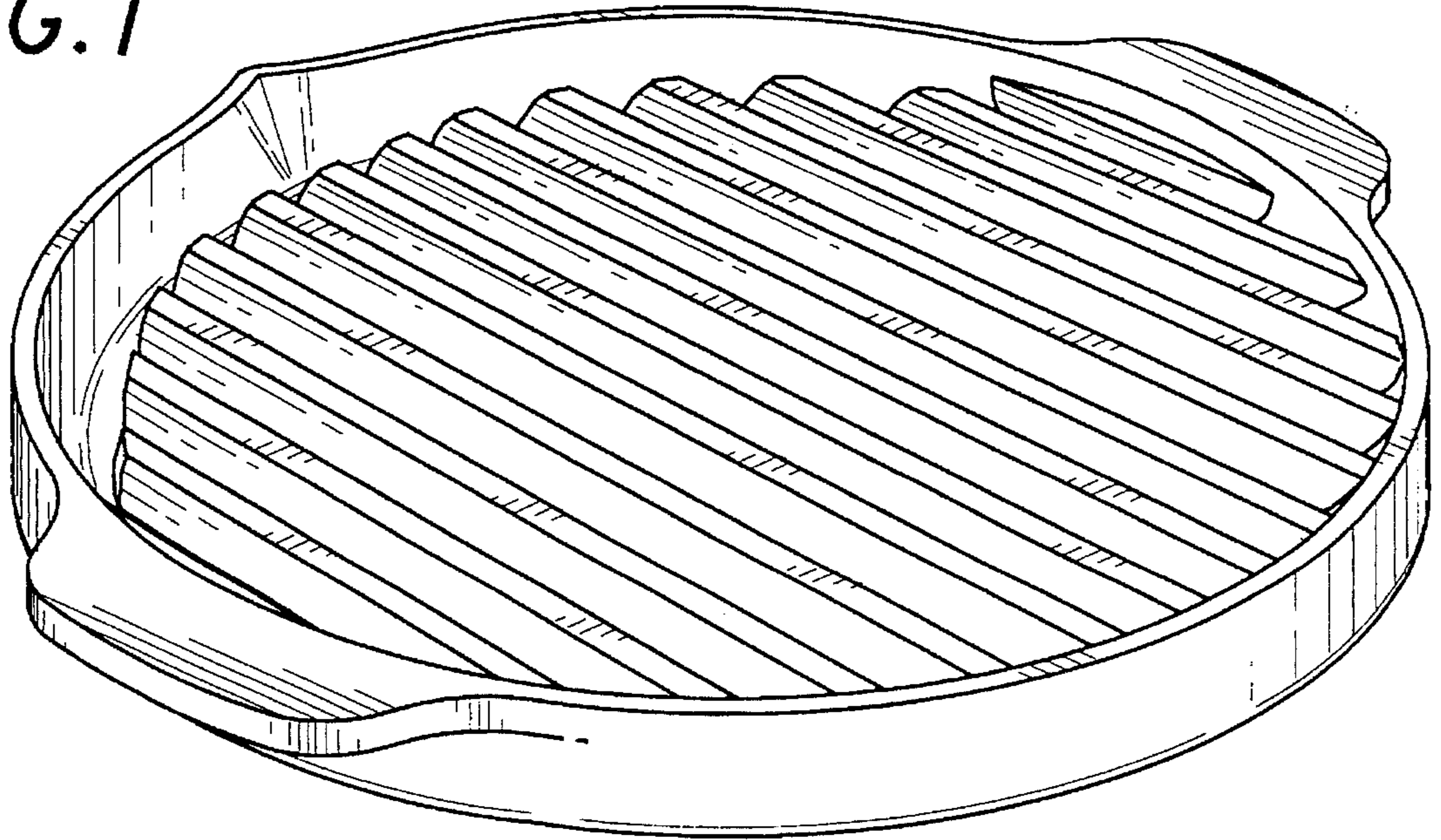


FIG. 2

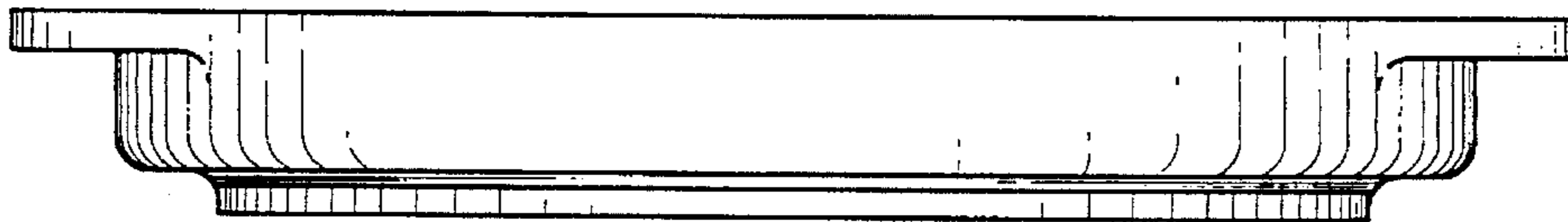


FIG. 3

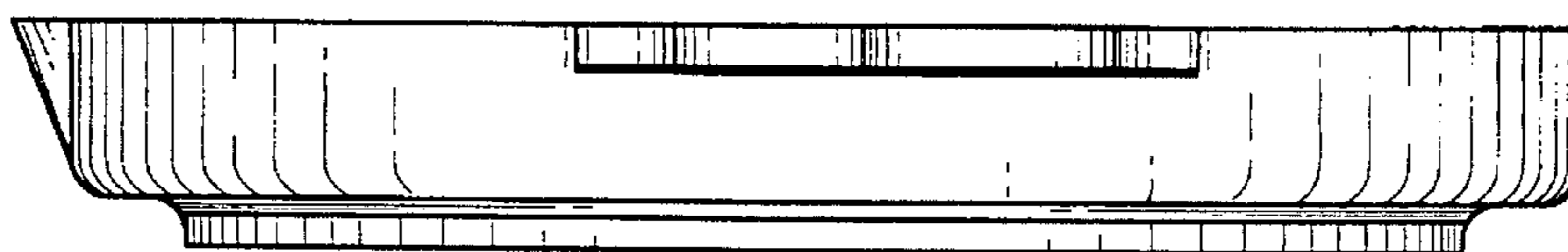


FIG. 4

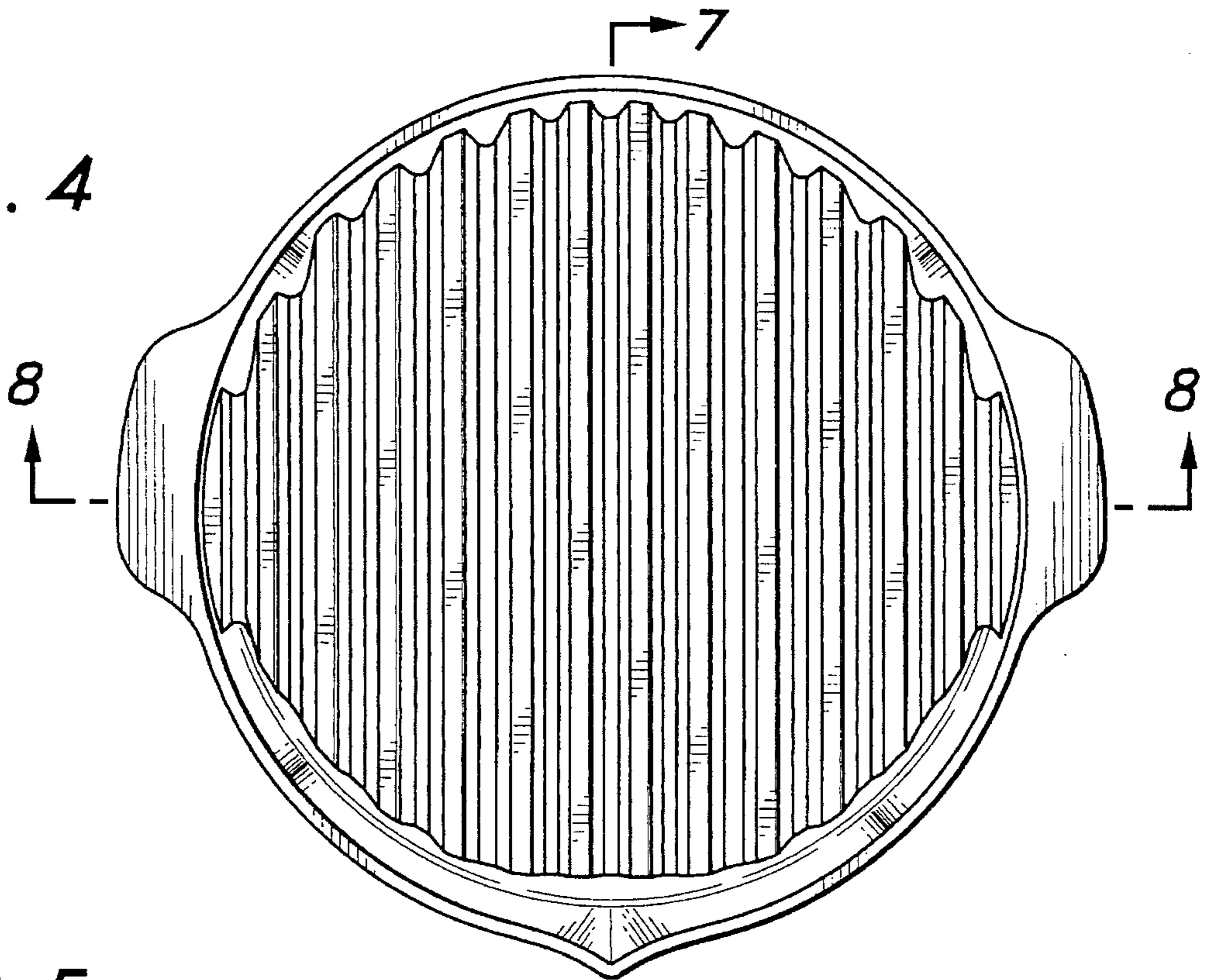


FIG. 5

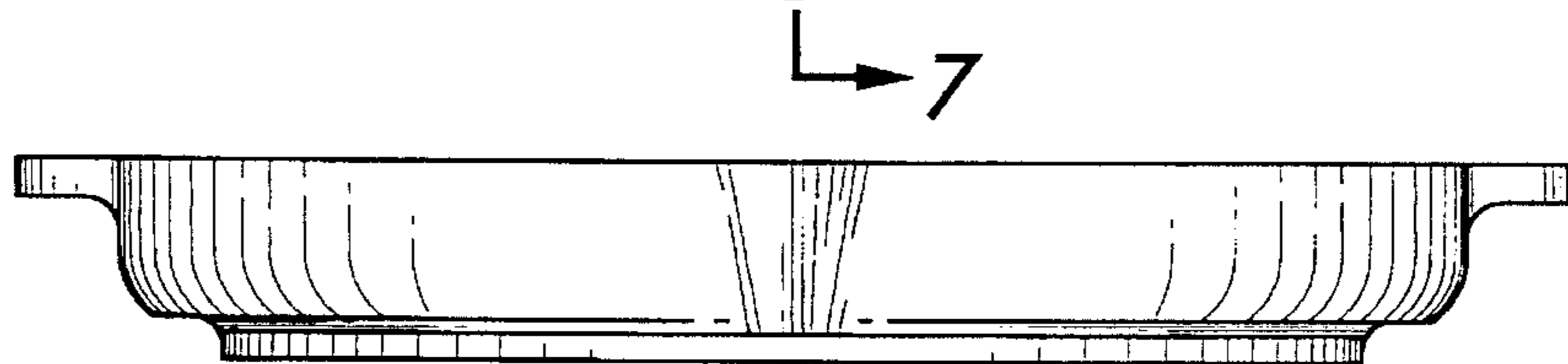


FIG. 6

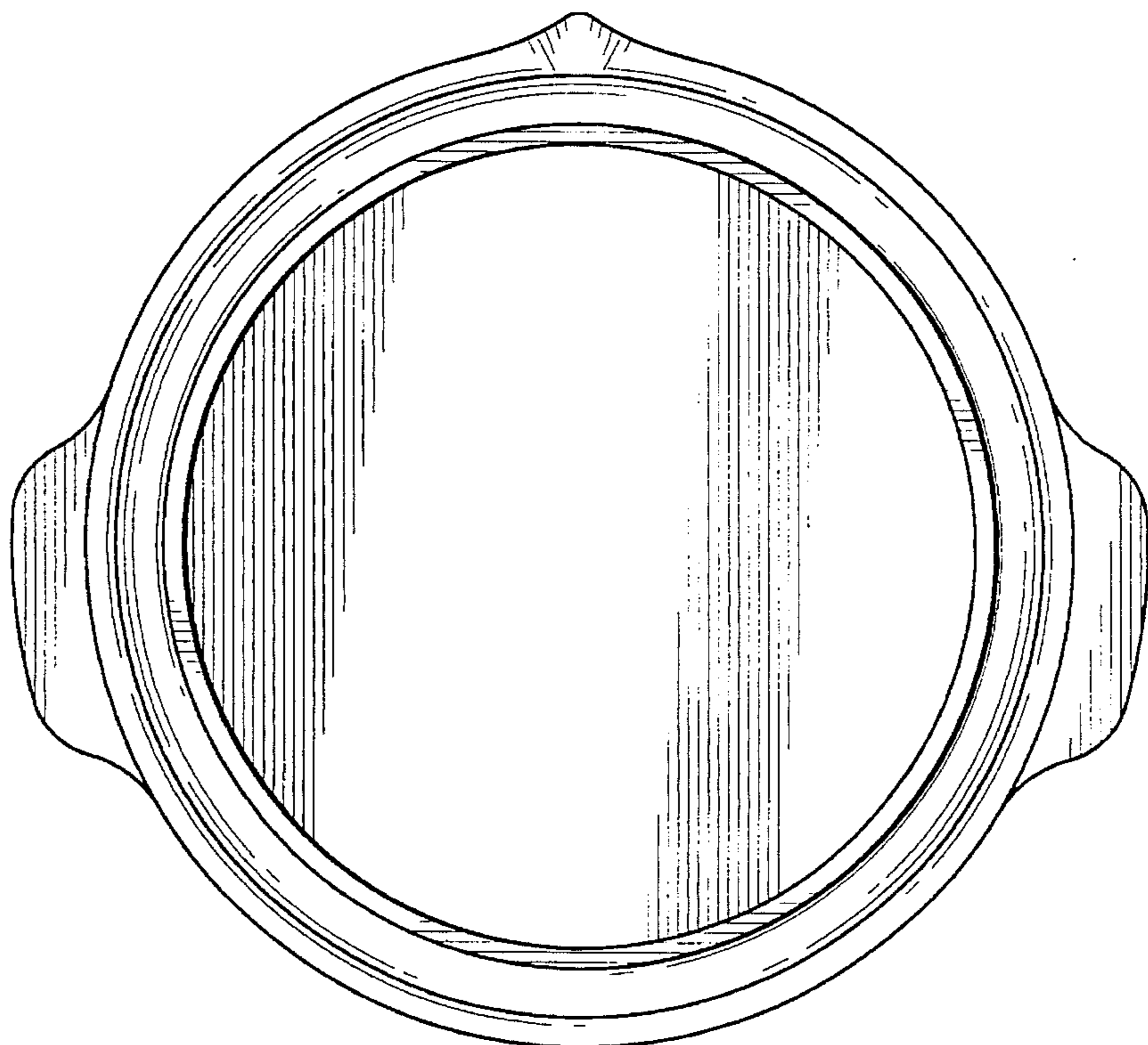


FIG. 7

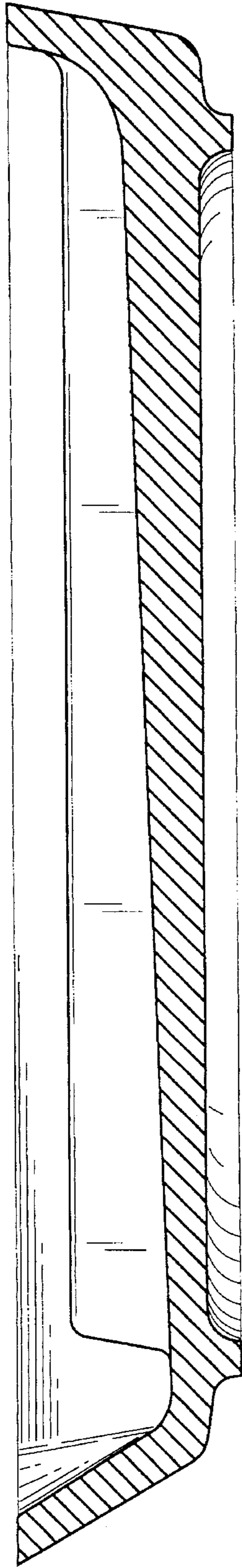


FIG. 8

