



US00D373282S

United States Patent [19]

[11] Patent Number: **Des. 373,282**

Cordero

[45] Date of Patent: ****Sep. 3, 1996**

[54] **BARBEQUE GRILL**

5,165,385 11/1992 Doolittle et al. 126/25 R

[76] Inventor: **Benjamin C. Cordero**, 6225 Kawaihae Pl., Honolulu, Hi. 96825

Primary Examiner—Louis S. Zarfes
Assistant Examiner—Gregory Andoll
Attorney, Agent, or Firm—Harold H. Dutton, Jr.; W. Charles L. Jamison; Diane F. Liebman

[**] Term: **14 Years**

[21] Appl. No.: **30,215**

[57] **CLAIM**

[22] Filed: **Oct. 24, 1994**

The design for a barbecue grill, as shown.

[52] U.S. Cl. **D7/334**

DESCRIPTION

[58] **Field of Search** D7/334, 332, 327,
D7/339, 354, 342, 345; 126/25 R, 25 A,
25 AA

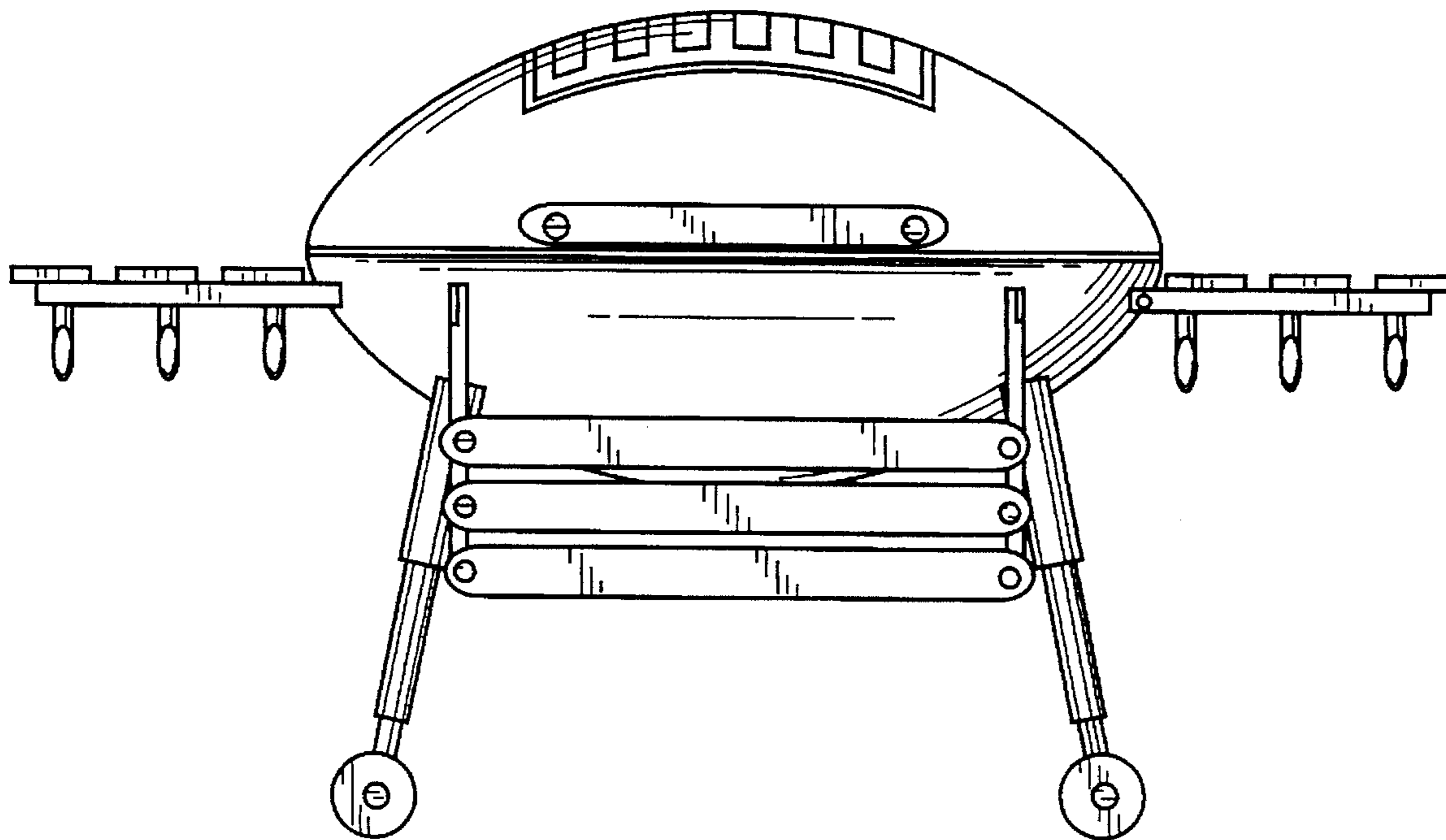
FIG. 1 is a front elevational view of a barbecue grill showing my new design;
FIG. 2 is a rear elevational view thereof;
FIG. 3 is a left side view thereof;
FIG. 4 is a right side view thereof;
FIG. 5 is a top plan view thereof; and,
FIG. 6 is a bottom plan view thereof.

[56] **References Cited**

U.S. PATENT DOCUMENTS

- D. 139,850 9/1944 Frenning et al. D7/337
- D. 314,882 2/1991 Bethel, Jr. D7/334
- 4,955,358 9/1990 Harris et al. 126/25 R

1 Claim, 3 Drawing Sheets



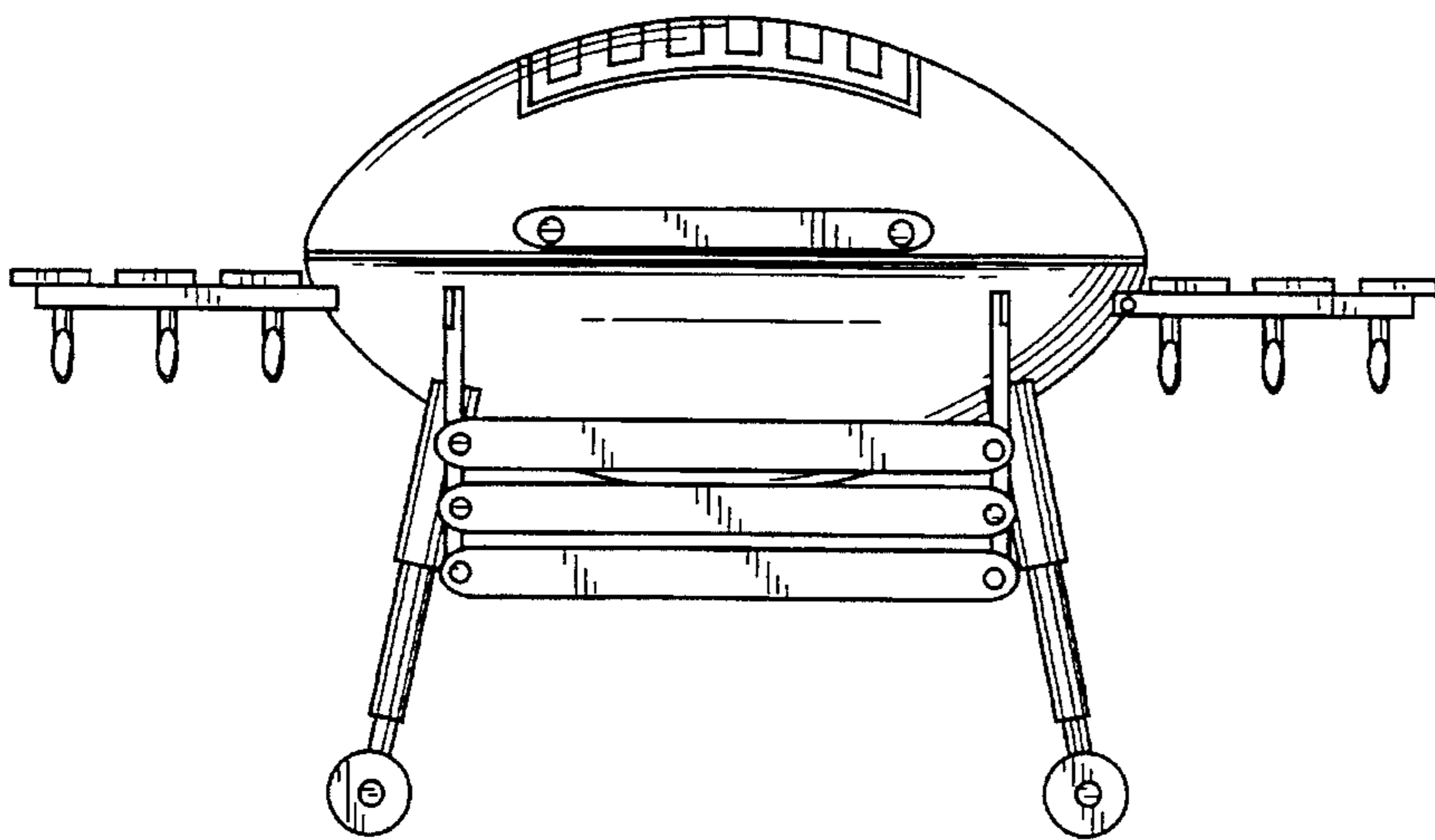


FIG. 1

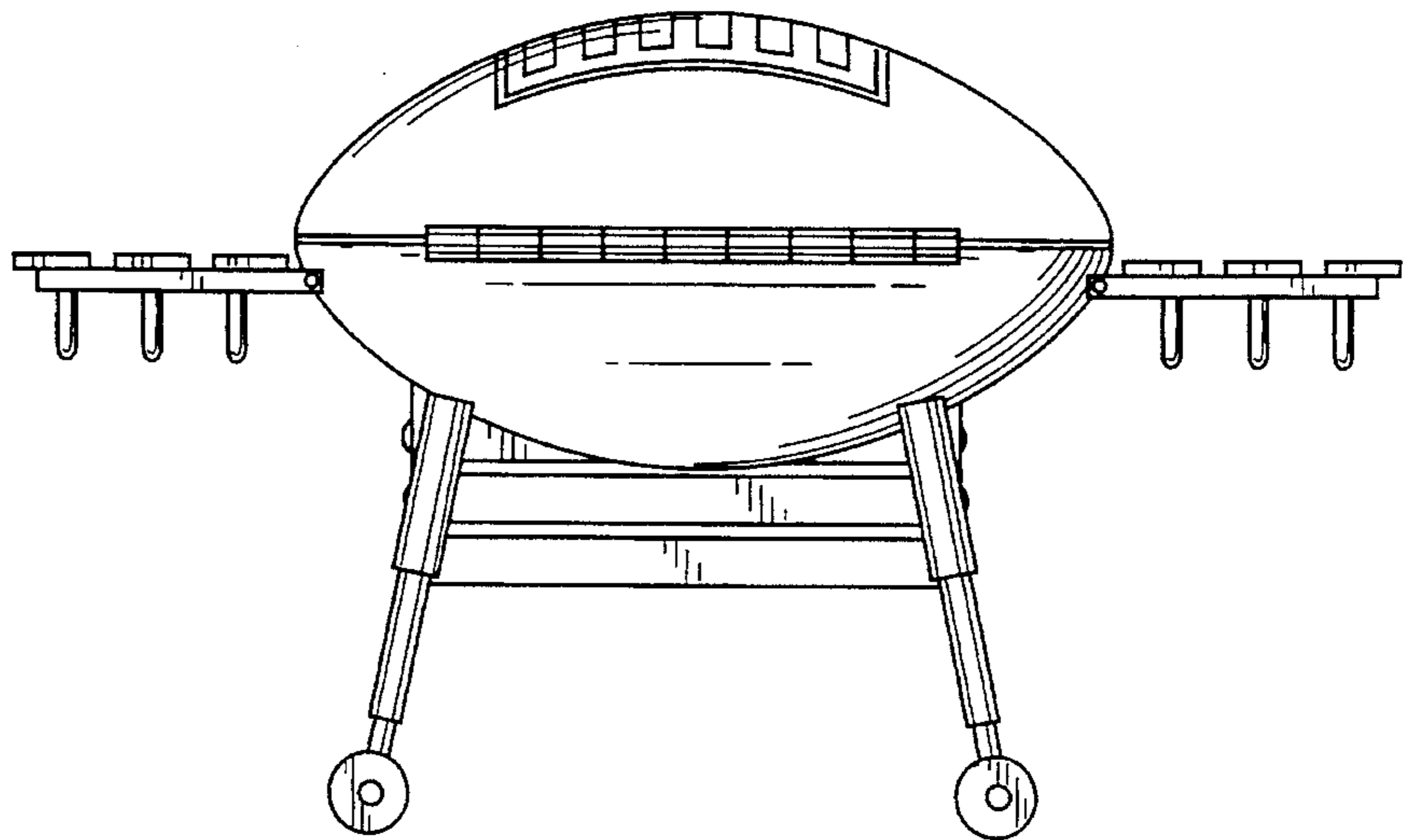


FIG. 2

FIG. 3

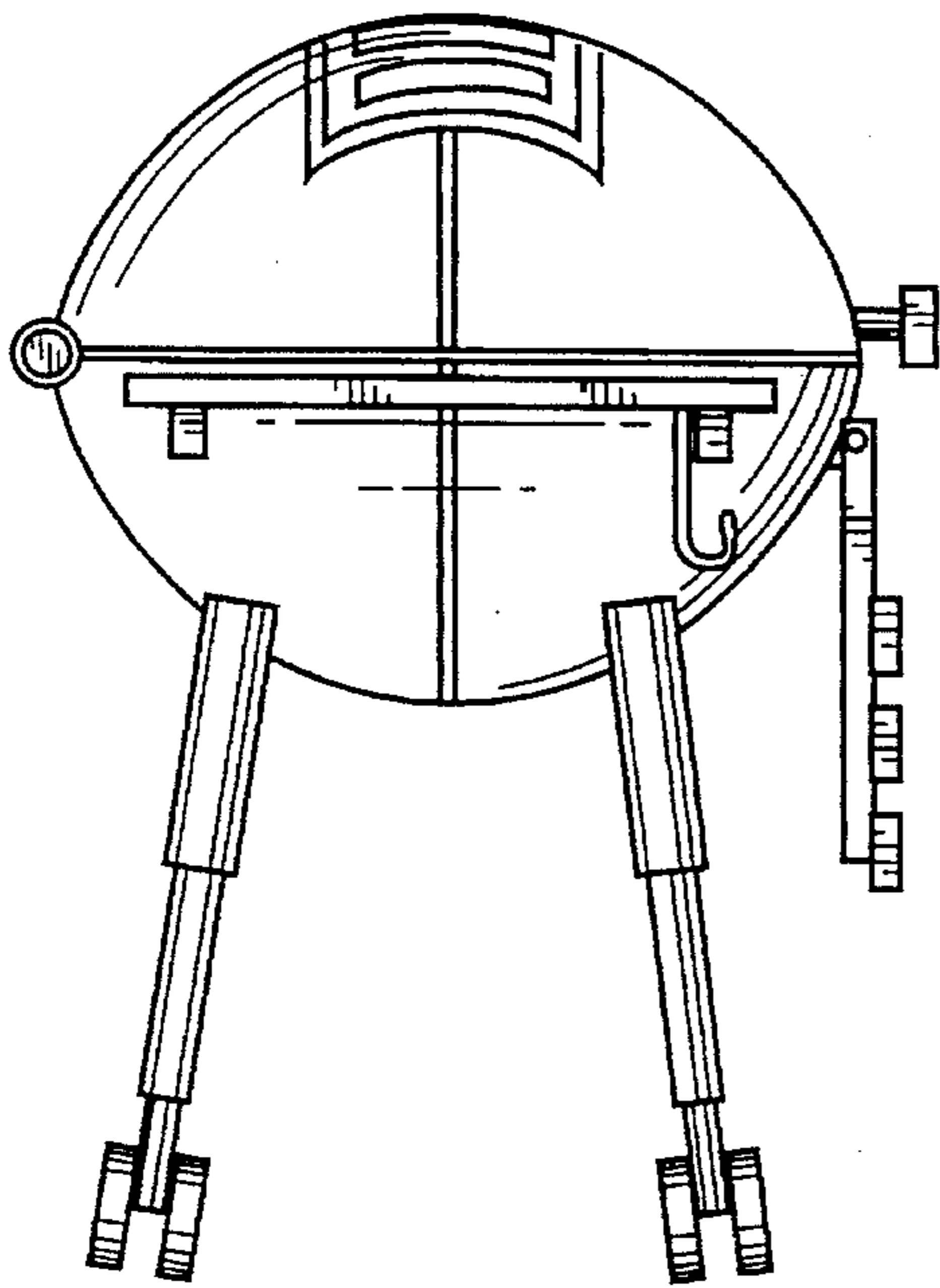


FIG. 4

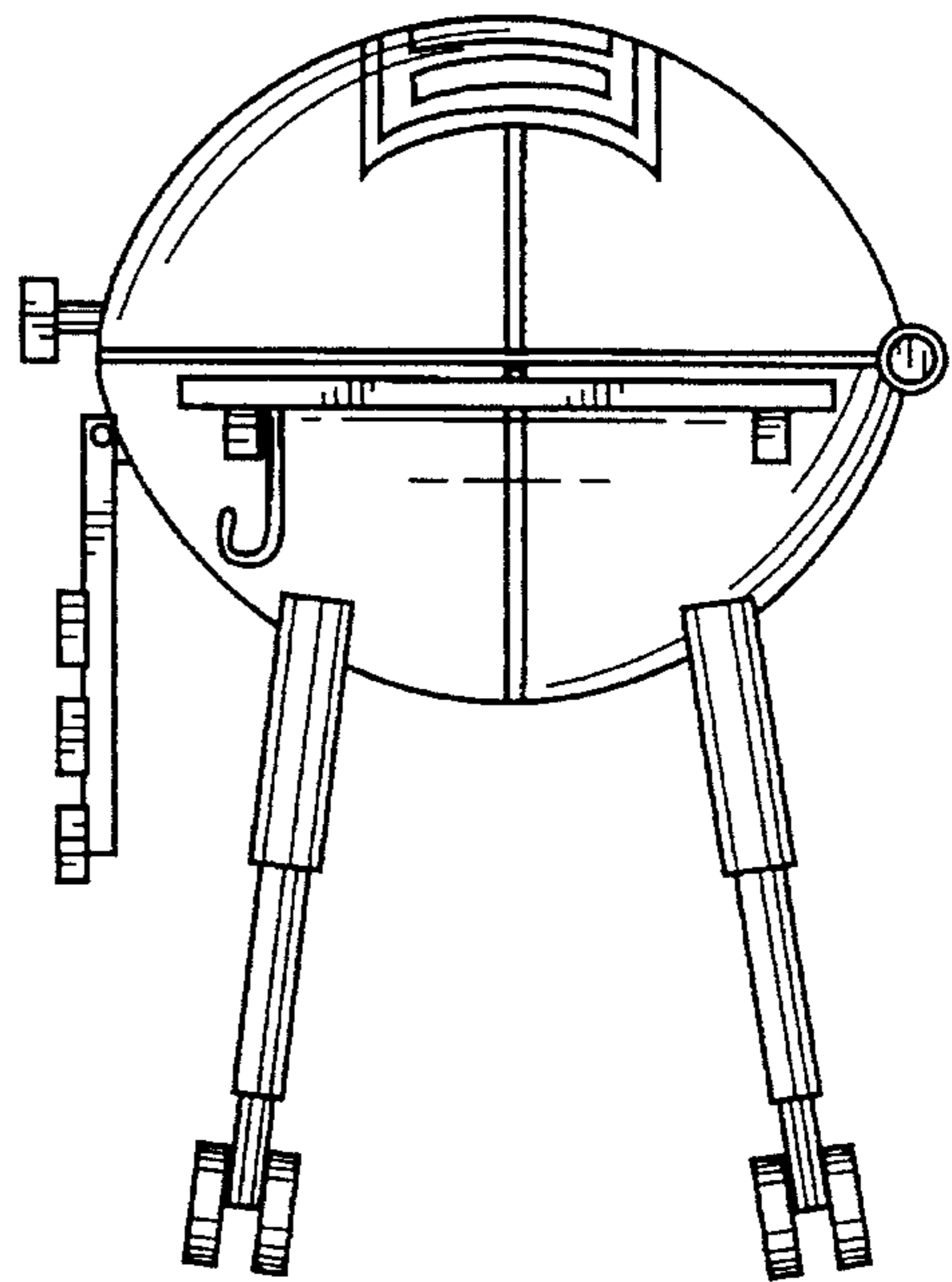


FIG. 5

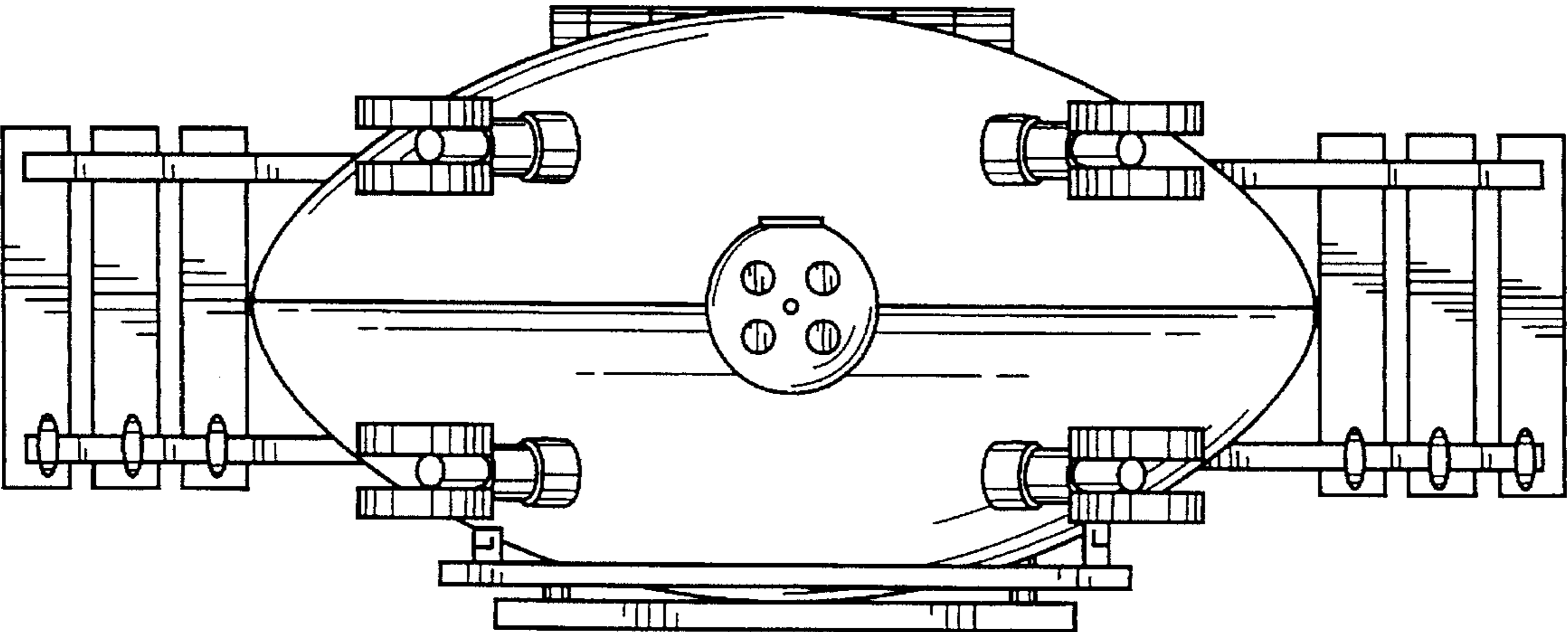
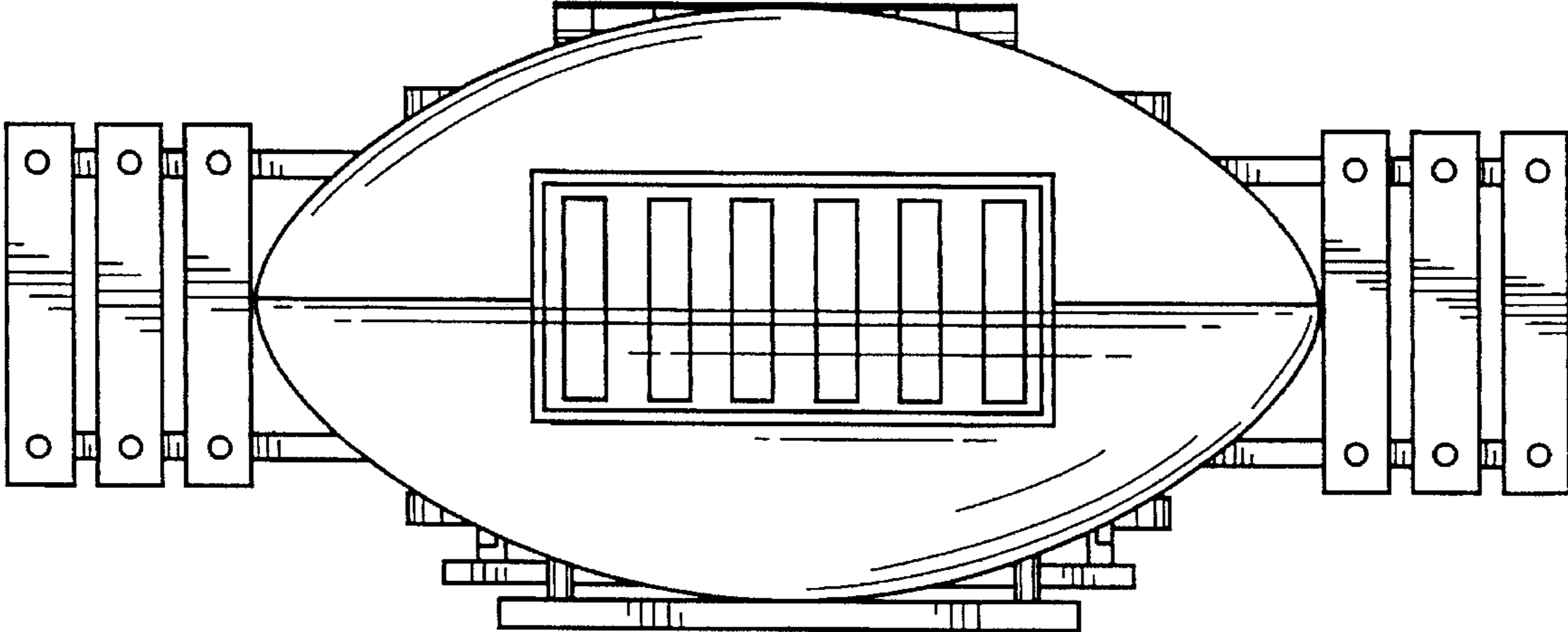


FIG. 6