



US00D373281S

United States Patent [19]

[11] Patent Number: **Des. 373,281**

Simmons

[45] Date of Patent: ****Sep. 3, 1996**

[54] **COFFEE MAKER**

73014	12/1992	Canada .
016657	5/1990	France .
0930762	5/1993	France .
4973A	2/1992	Mexico .
5361A	2/1992	Mexico .

[75] Inventor: **Sean H. Simmons**, Sea Cliff, N.Y.

[73] Assignee: **Sunbeam Products, Inc.**, Fort Lauderdale, Fla.

[**] Term: **14 Years**

[21] Appl. No.: **33,467**

[22] Filed: **Jan. 13, 1995**

[52] U.S. Cl. **D7/309; D7/310; D7/311**

[58] Field of Search **D7/309, 300, 310, D7/311, 312, 316, 317, 318, 319, 321, 305, 598; 222/465.1, 475.1; 99/288, 279**

[56] **References Cited**

U.S. PATENT DOCUMENTS

D. 219,057	10/1970	Gullotta	D7/317
D. 243,058	1/1977	Painter	D7/309
D. 271,074	10/1983	Richardson	D7/318
D. 311,845	11/1990	Downie .	
D. 317,099	5/1991	Micoley .	
D. 326,206	5/1992	Rakocy et al.	D7/318 X
D. 329,160	9/1992	Choi	D7/309
D. 336,207	6/1993	Brookshire	D7/309
D. 337,235	7/1993	Huang	D7/317
D. 339,711	9/1993	Precht et al.	D7/310 X
D. 356,712	3/1995	Brady	D7/309
D. 360,333	7/1995	Wai	D7/309
5,239,914	8/1993	Salomon et al. .	

FOREIGN PATENT DOCUMENTS

64852	11/1989	Canada .
67791	1/1991	Canada .
71145	2/1992	Canada .

OTHER PUBLICATIONS

Mr Coffee Brewing System, House & Garden p. 50 Dec. 1974.

Proctor Silex (D) Drip Coffee Maker Merchandising Weeks Jan. 13, 1975.

Primary Examiner—M. N. Pandozzi

Attorney, Agent, or Firm—Michael J. Kline; Paul D. Bangor, Jr.

[57] CLAIM

The ornamental design for a coffee maker, as shown and described.

DESCRIPTION

FIG. 1 is a front perspective view of a coffee maker showing my new design;

FIG. 2 is a front elevational view thereof;

FIG. 3 is a rear elevational view thereof;

FIG. 4 is a top plan view thereof;

FIG. 5 is a bottom plan view thereof;

FIG. 6 is a left elevational view thereof;

FIG. 7 is a right elevational view thereof;

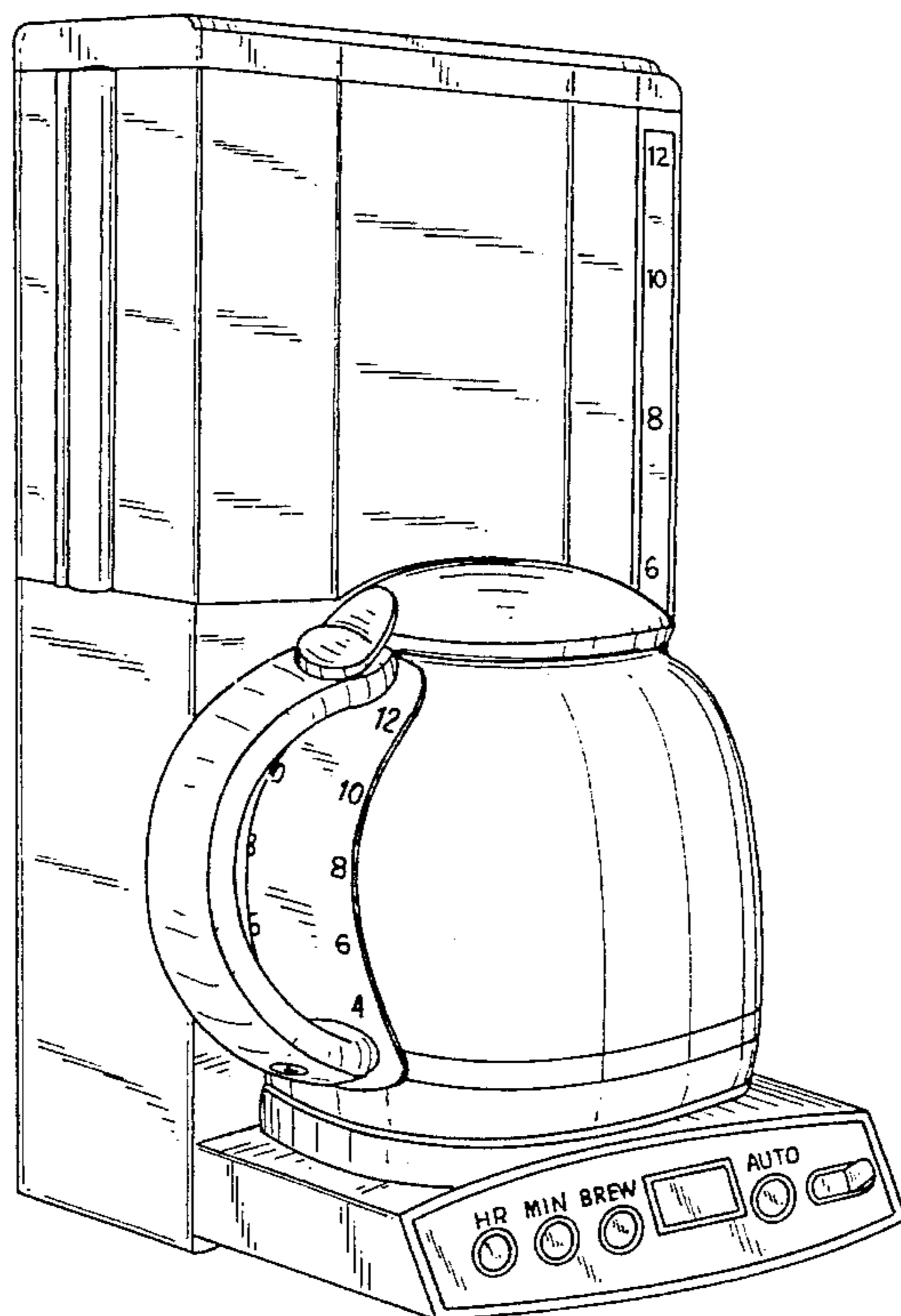
FIG. 8 is a front elevational view thereof with the carafe removed for ease of illustration;

FIG. 9 is a top plan view thereof;

FIG. 10 is a left elevational view thereof; and,

FIG. 11 is a right elevational view thereof.

1 Claim, 10 Drawing Sheets



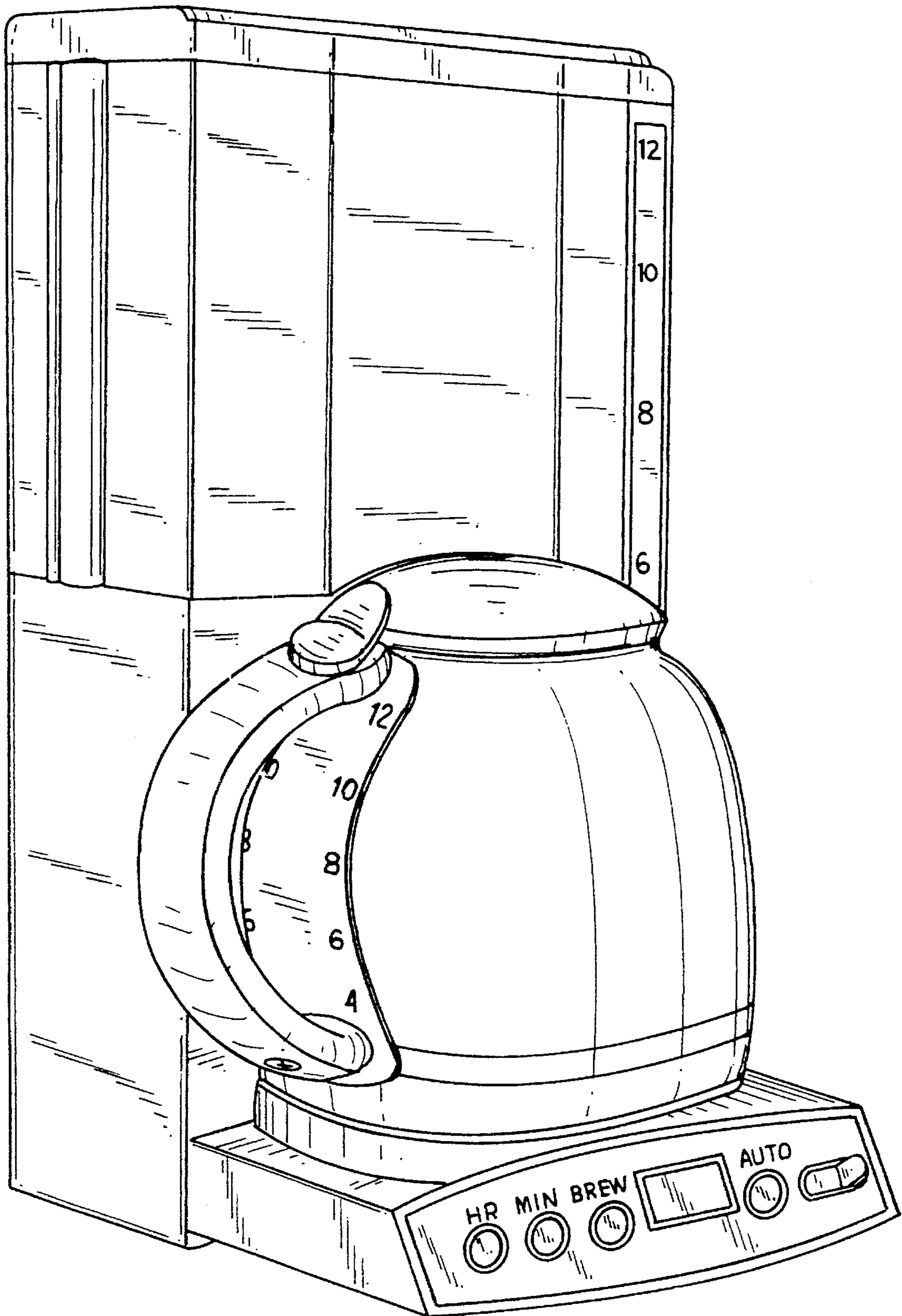


FIG. 1

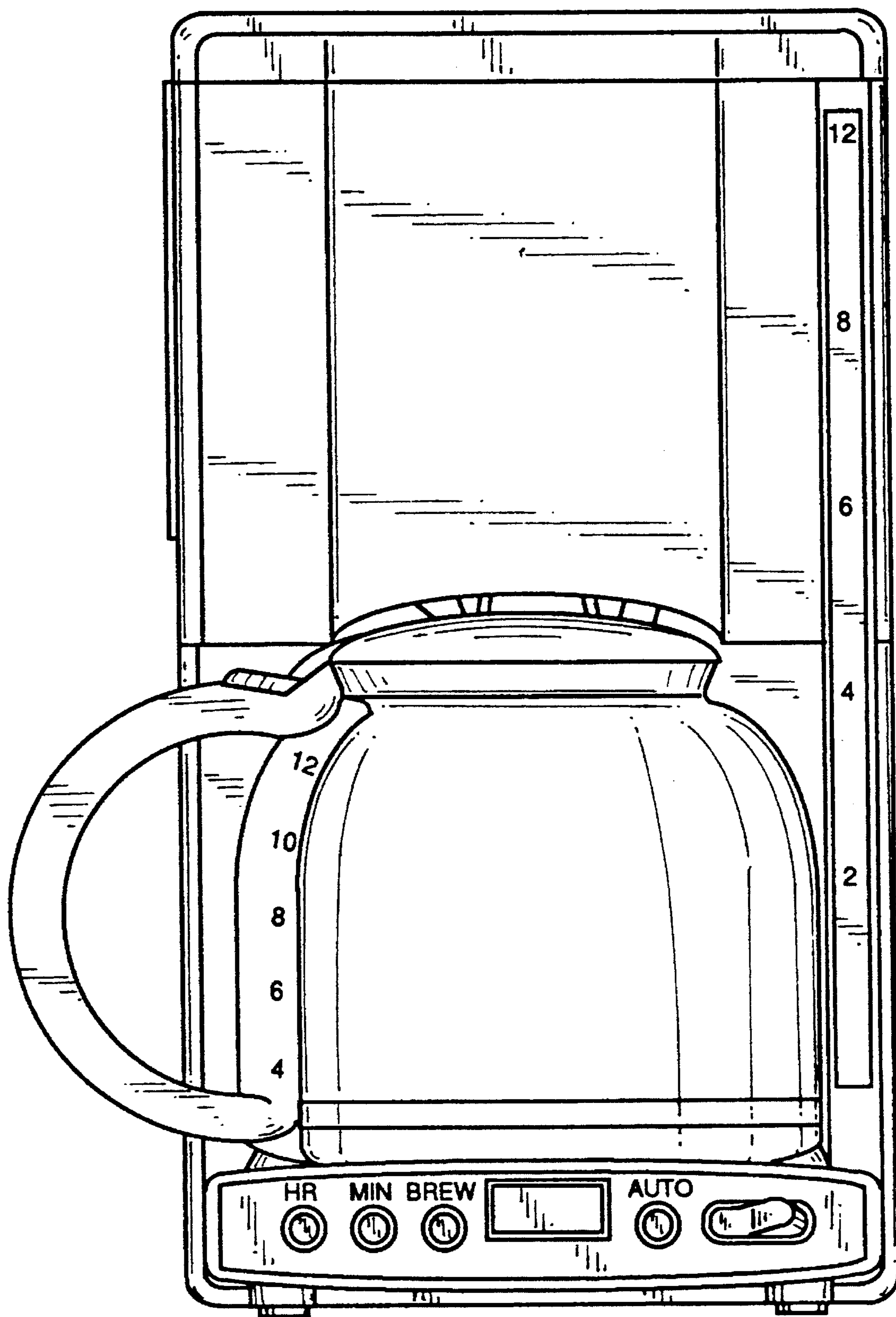


FIG. 2

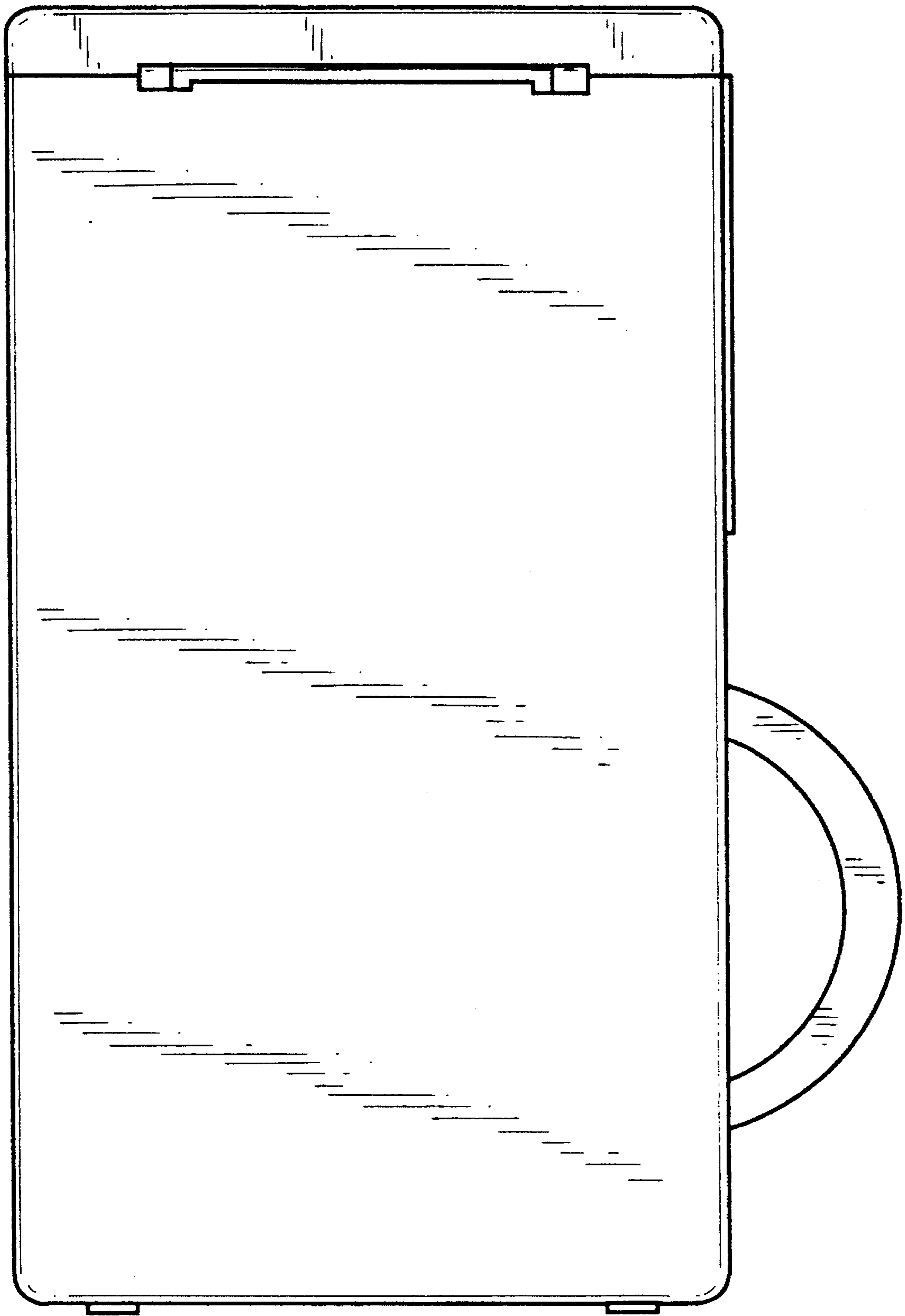


FIG. 3

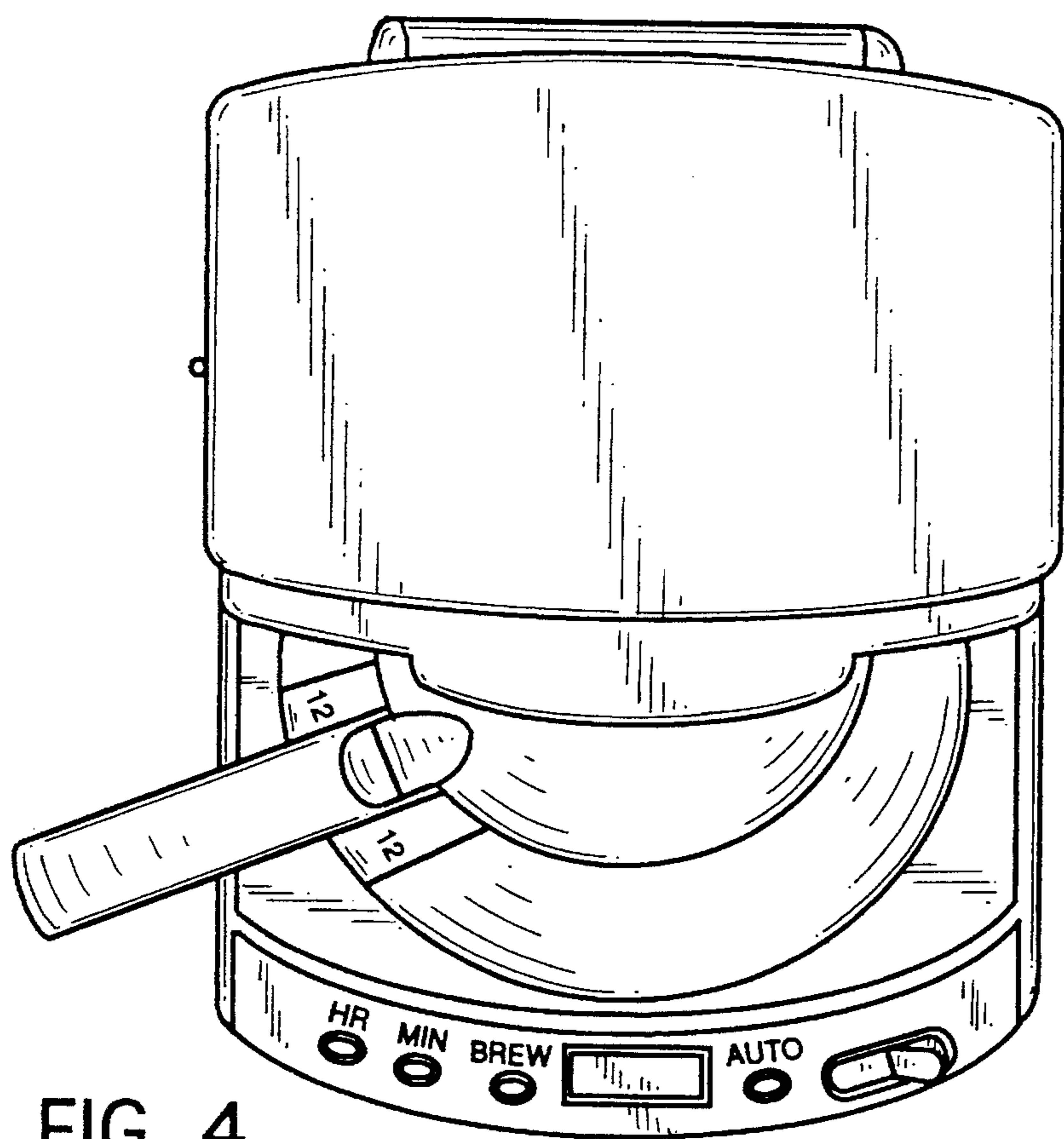


FIG. 4

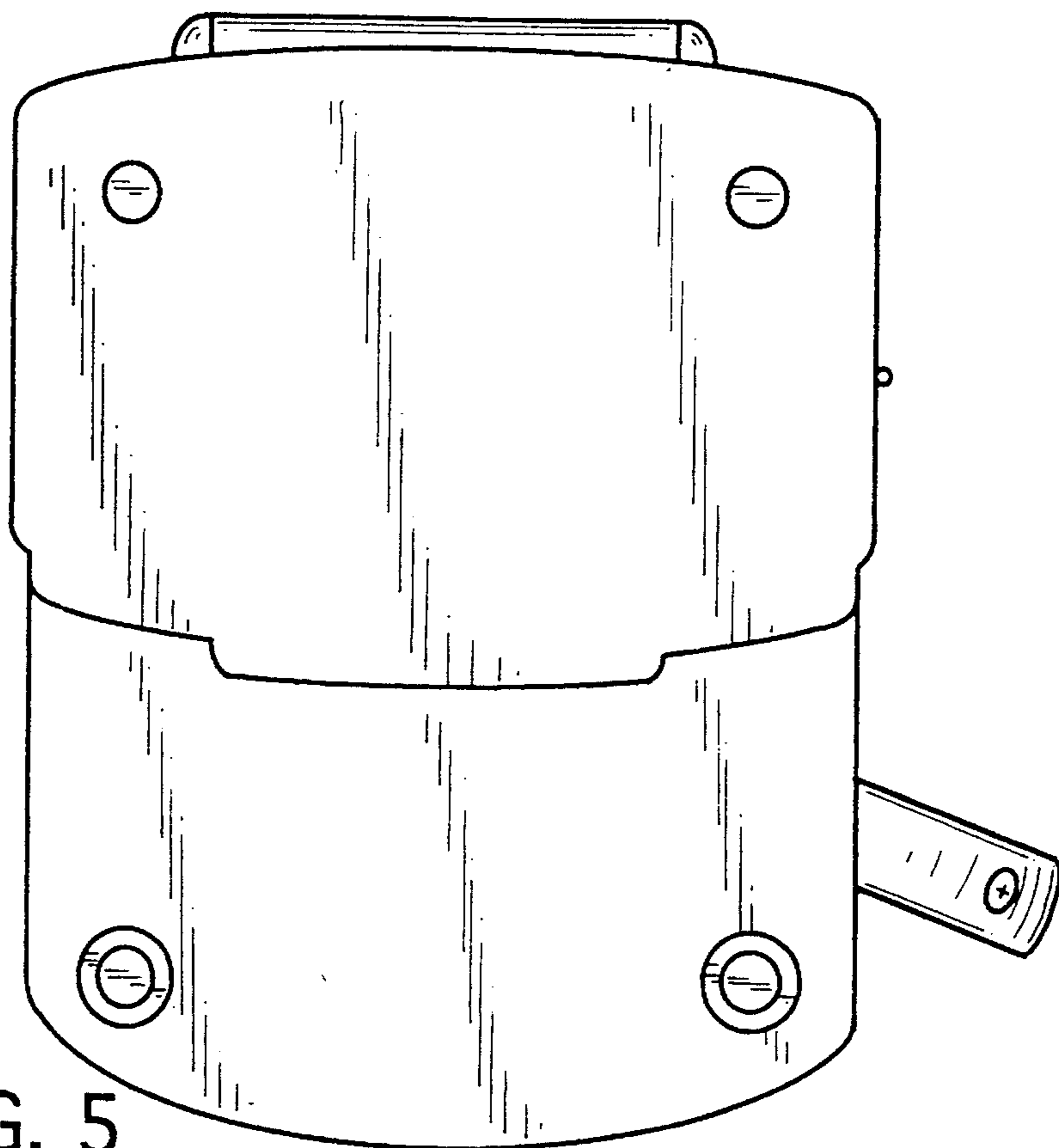


FIG. 5

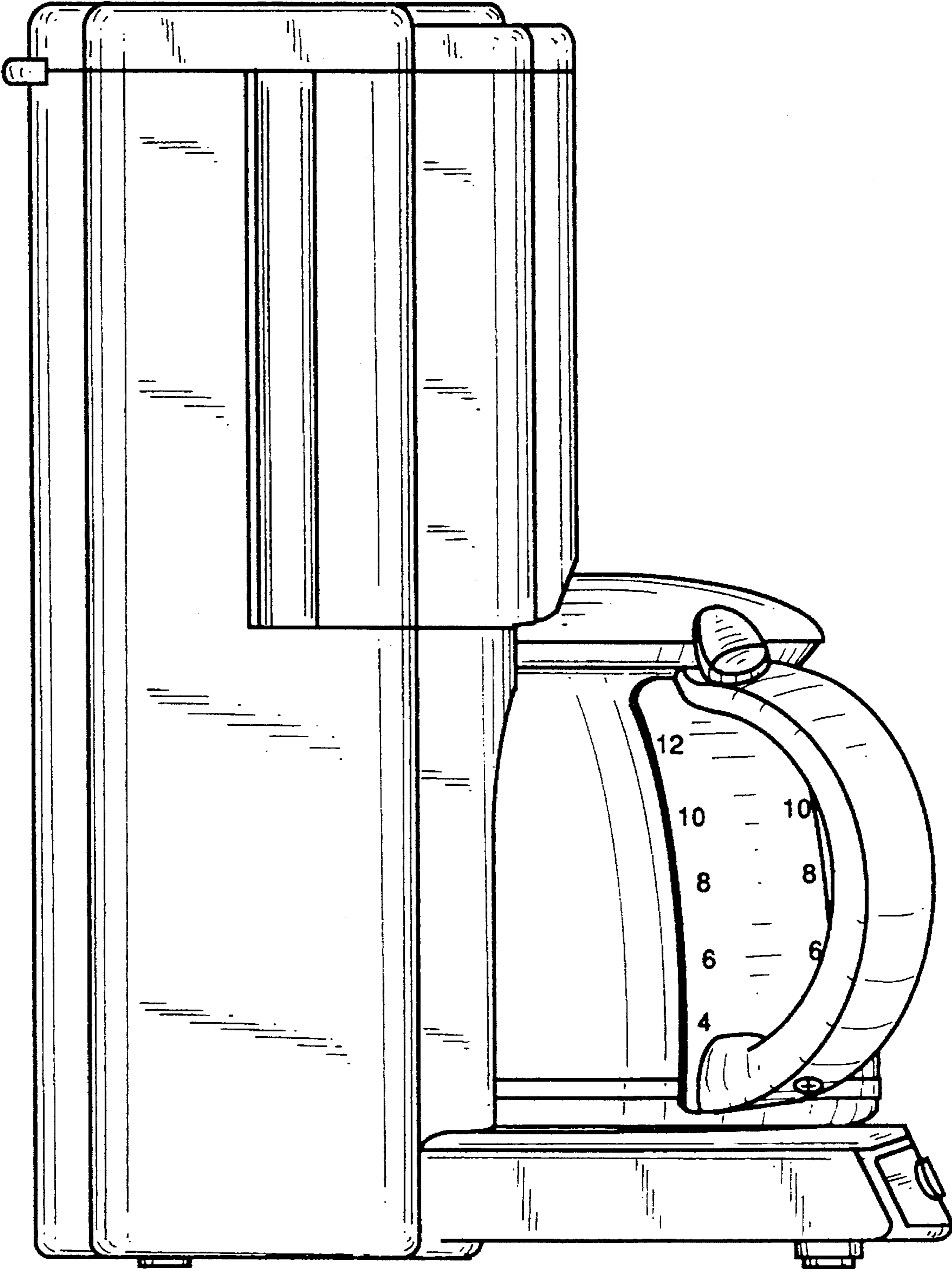


FIG. 6

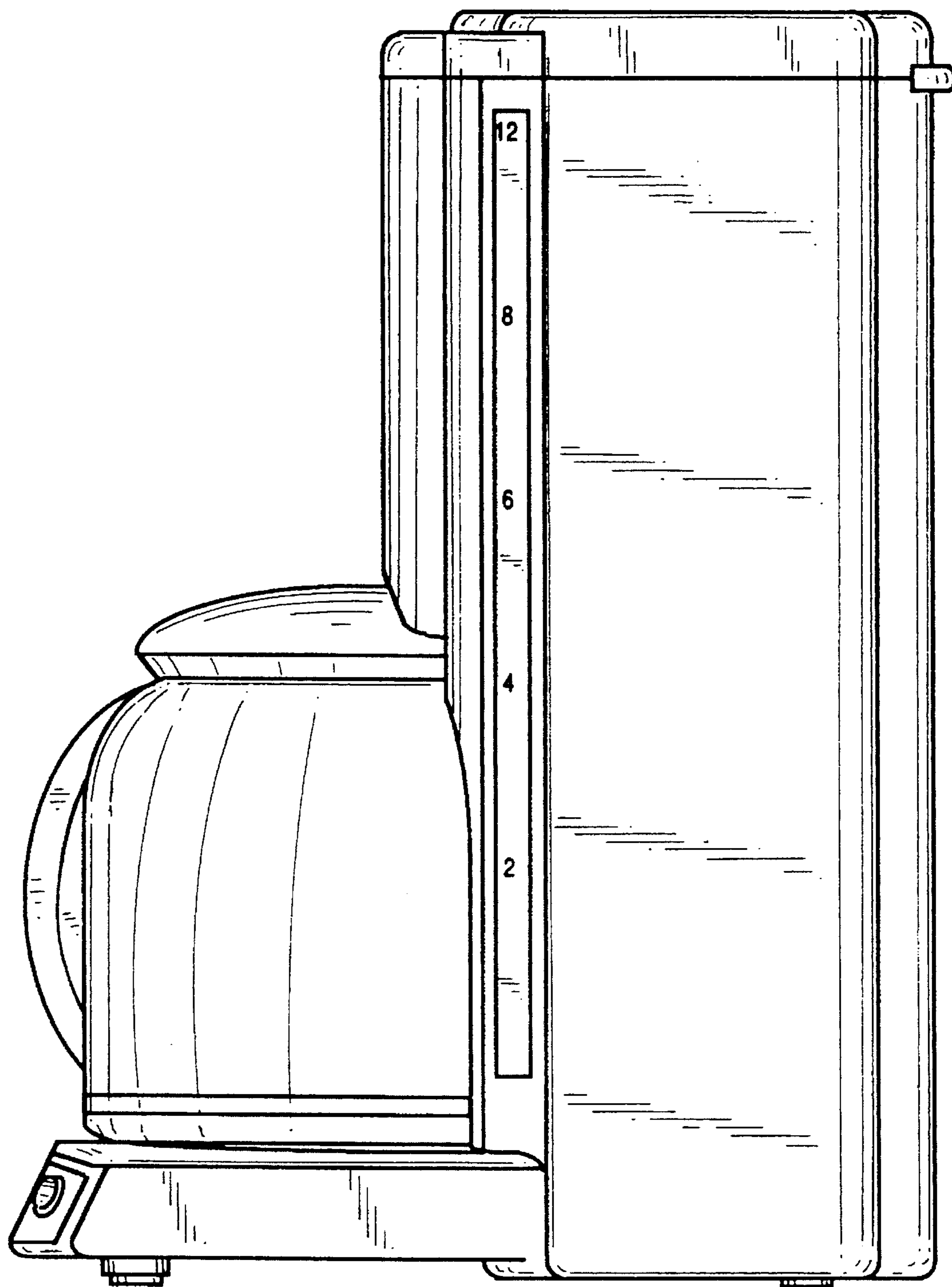


FIG. 7

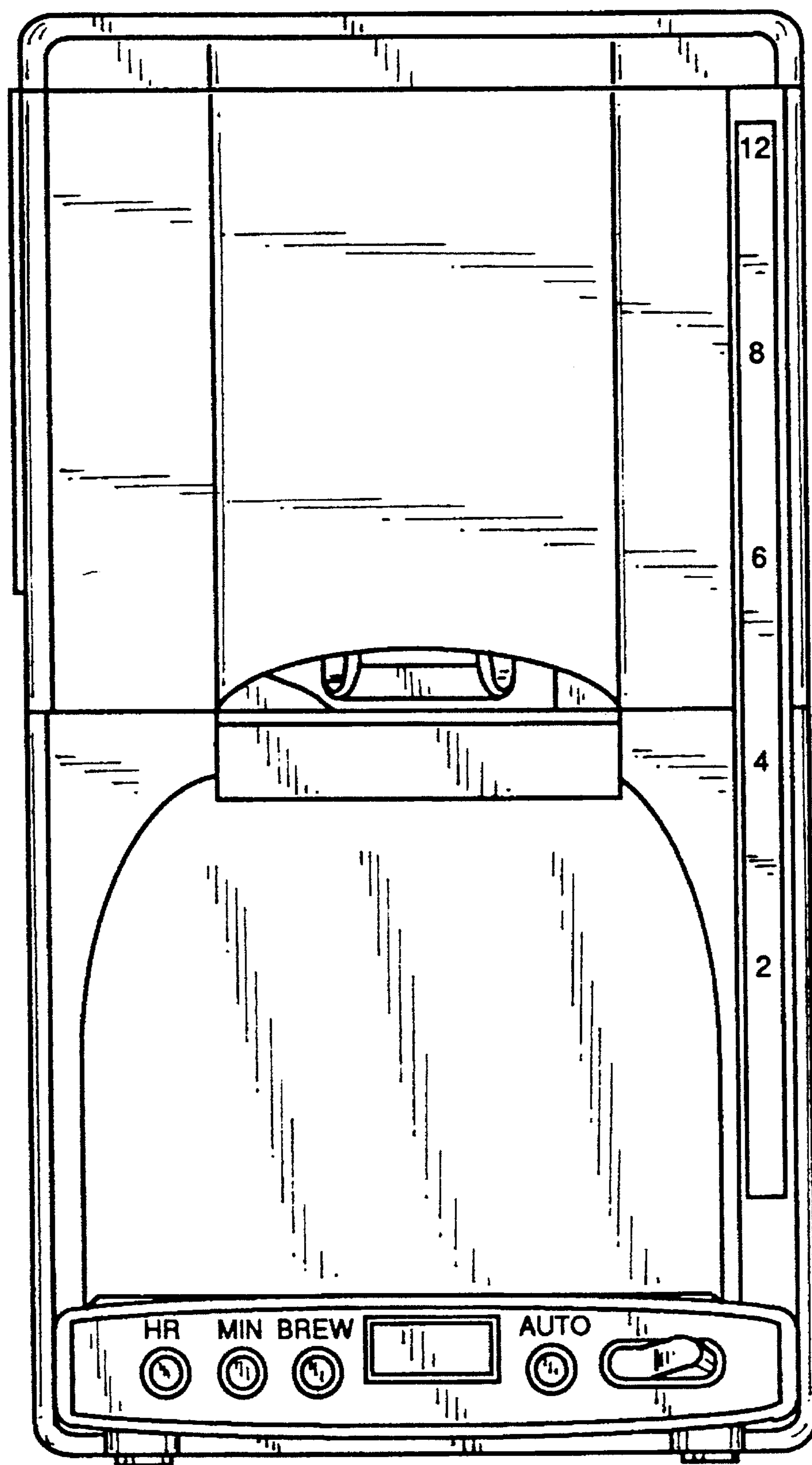


FIG. 8

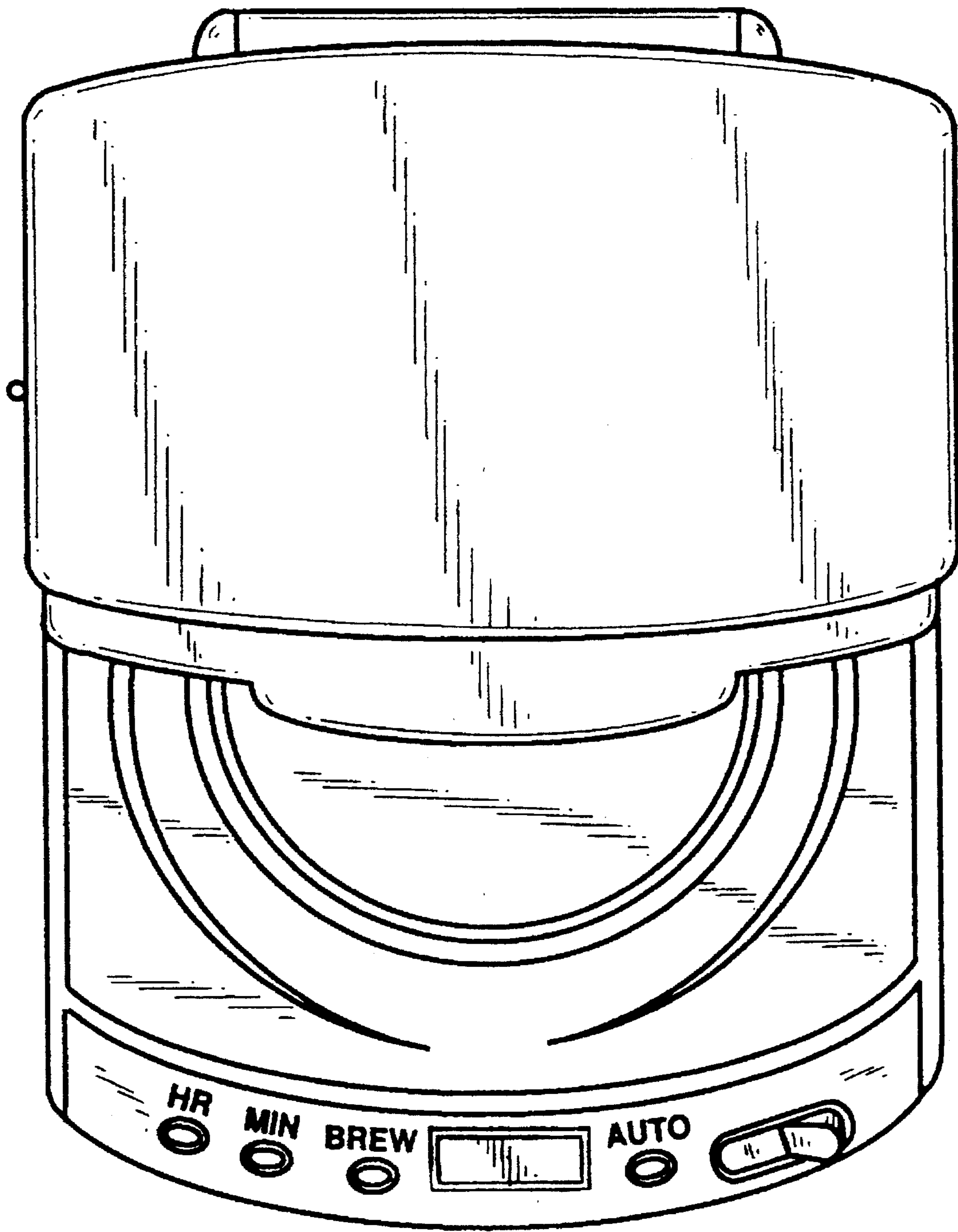


FIG. 9

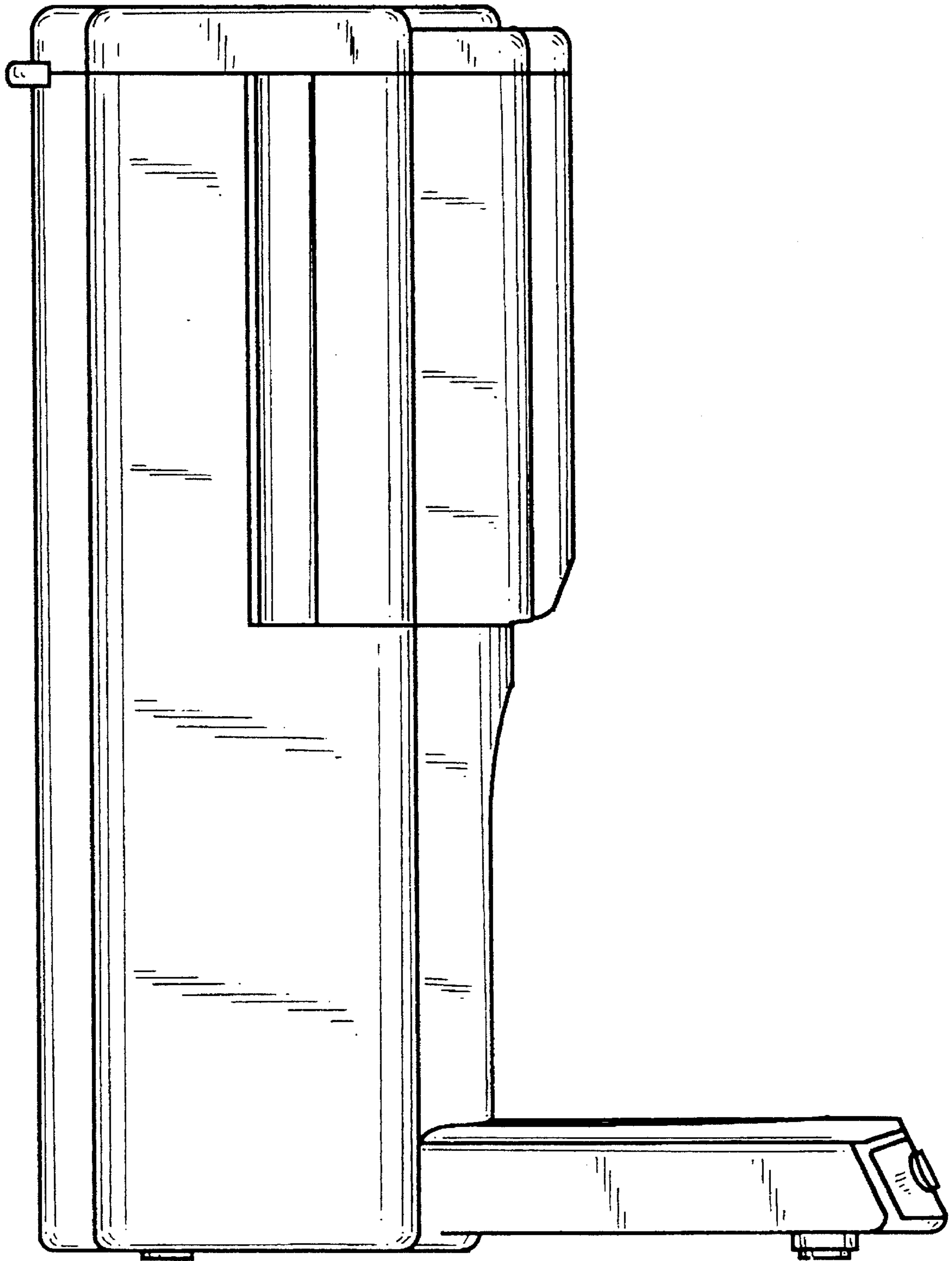


FIG. 10

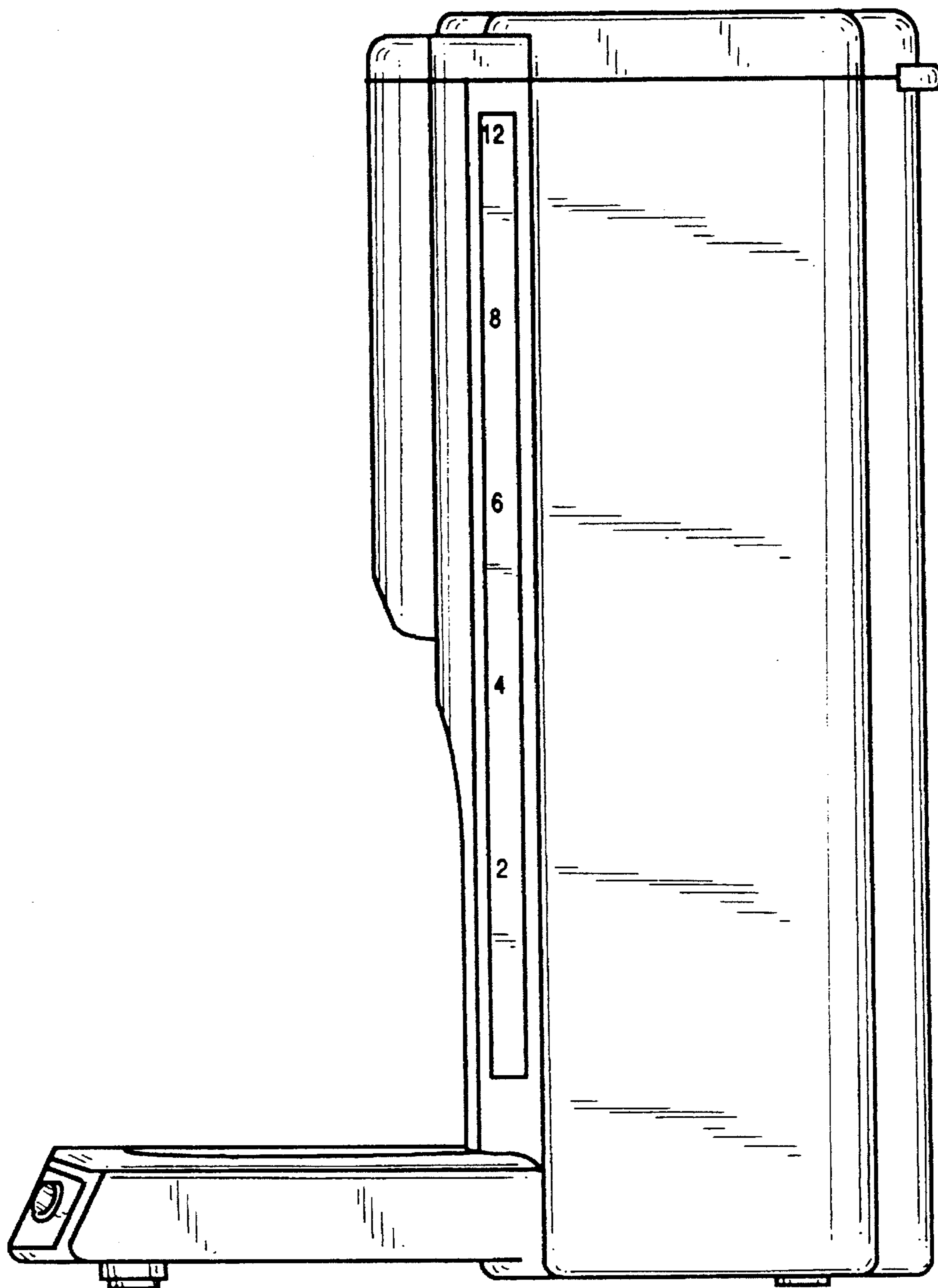


FIG. 11