



US00D373278S

United States Patent [19]

[11] Patent Number: **Des. 373,278**

Chow

[45] Date of Patent: ****Sep. 3, 1996**

[54] INFLATABLE PILLOW

FOREIGN PATENT DOCUMENTS

[76] Inventor: **Pok Y. J. Chow**, 12/F., Union Industrial Bldg. 116 Wai Yip Street, Kwun Ton, Kln, Hong Kong

2340196 2/1974 Germany 297/284.6
08267 11/1988 WIPO 5/636

[**] Term: **14 Years**

Primary Examiner—Lisa P. Lichtenstein
Attorney, Agent, or Firm—Dressler, Goldsmith, Shore & Milnamow, Ltd.

[21] Appl. No.: **39,978**

[57] CLAIM

[22] Filed: **Jun. 7, 1995**

The ornamental design for an inflatable pillow, as shown.

[52] U.S. Cl. **D6/604; D6/601**

DESCRIPTION

[58] Field of Search D6/601, 595, 596, D6/604; 5/636, 644, 457; 297/397, 284.6; 441/129, 126, 127, 40, 41, 66; D21/237

FIG. 1 is a perspective view of an inflatable pillow showing my new design;
FIG. 2 is a front view thereof;
FIG. 3 is a rear view thereof;
FIG. 4 is a right side elevational view thereof;
FIG. 5 is a left side elevational view thereof;
FIG. 6 is a top plan view thereof; and,
FIG. 7 is a bottom plan view thereof.

[56] References Cited

U.S. PATENT DOCUMENTS

D. 349,962 8/1994 Rogers D6/604
D. 351,526 10/1994 Tarquinio D6/604
3,185,497 5/1965 Lagacé 297/397
4,440,443 4/1984 Nordskog 297/397

1 Claim, 3 Drawing Sheets

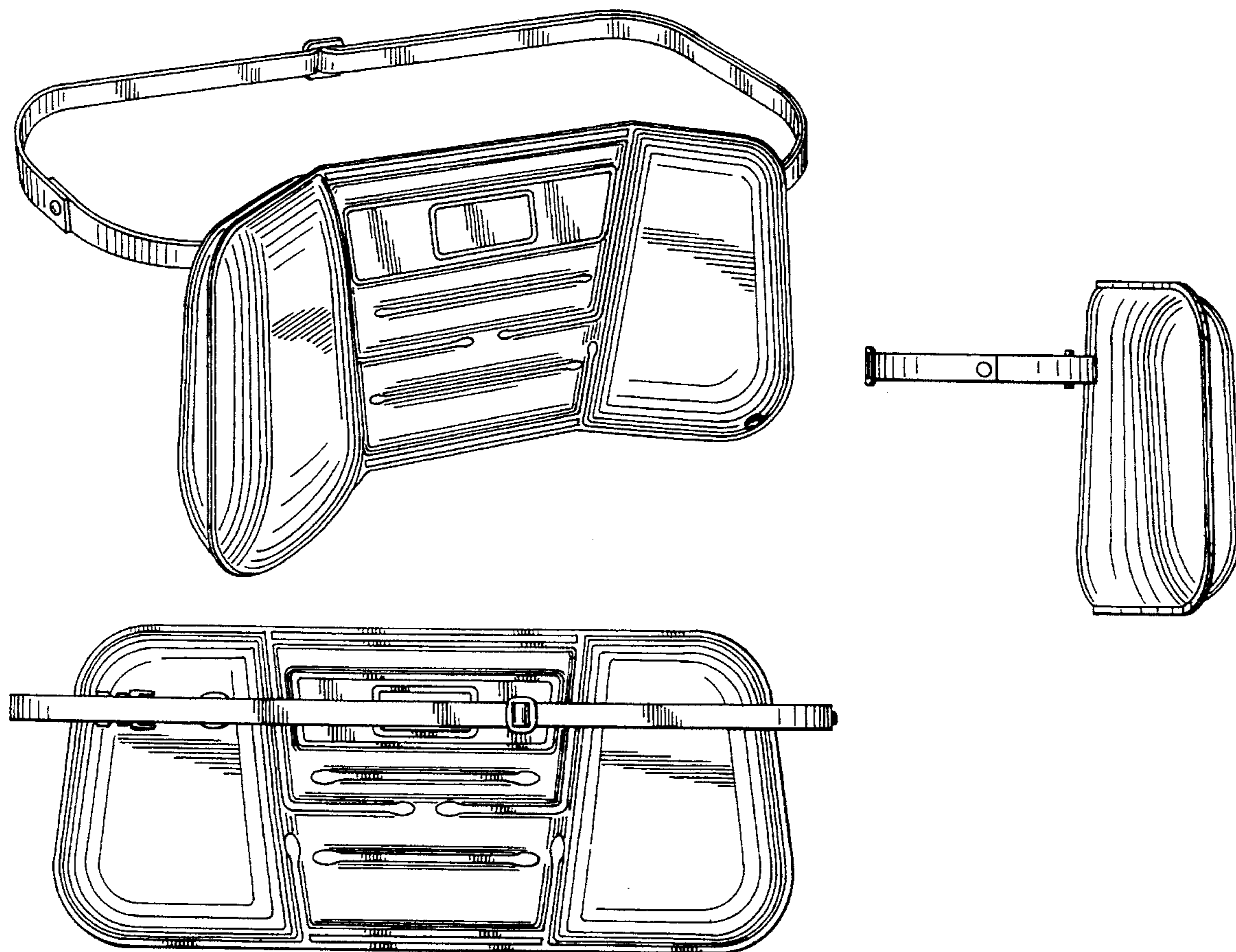


FIG. 1

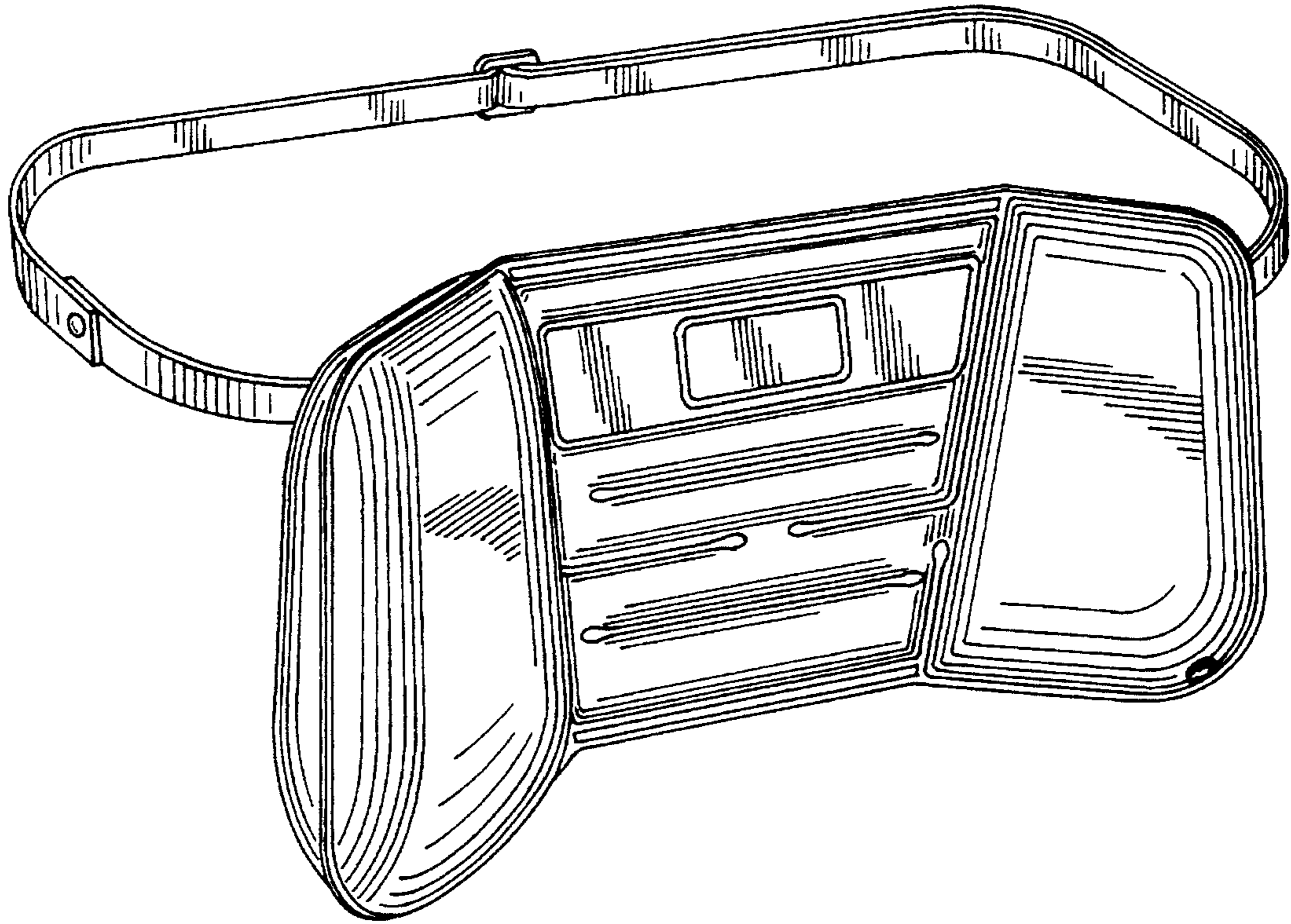


FIG. 2

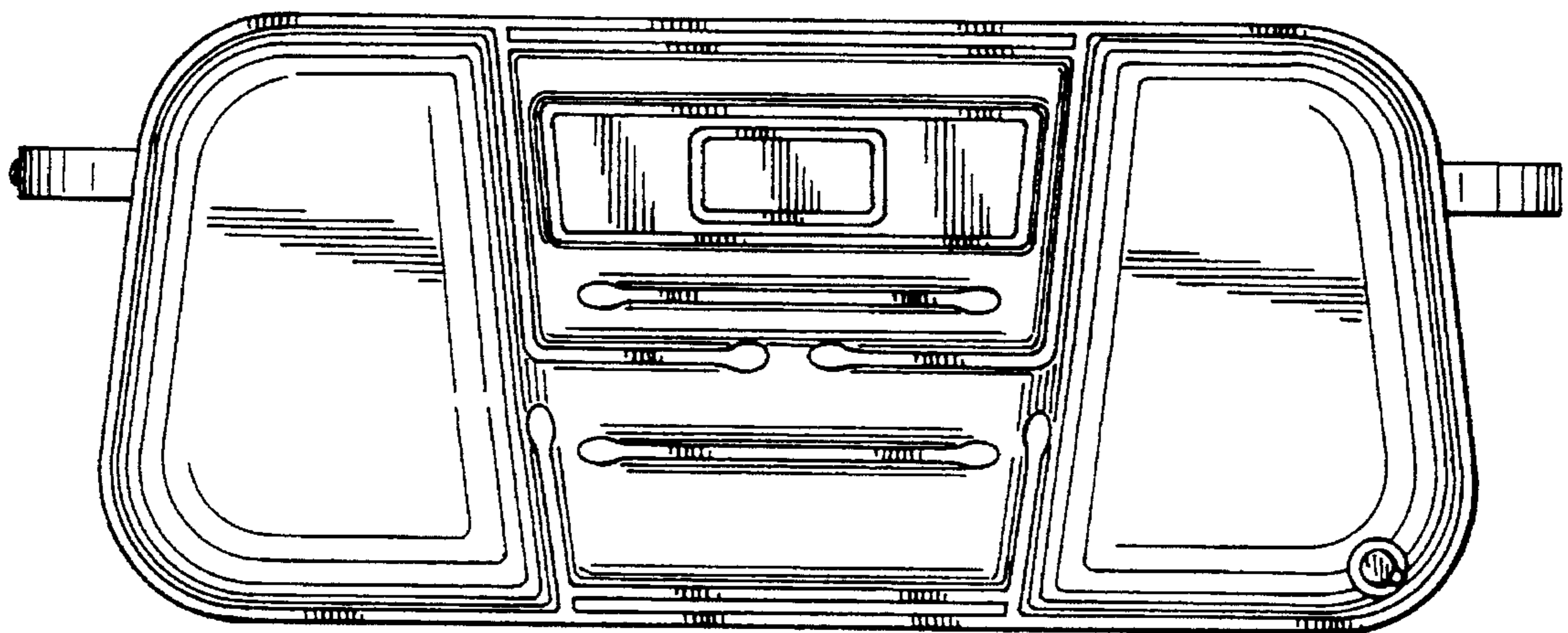


FIG. 3

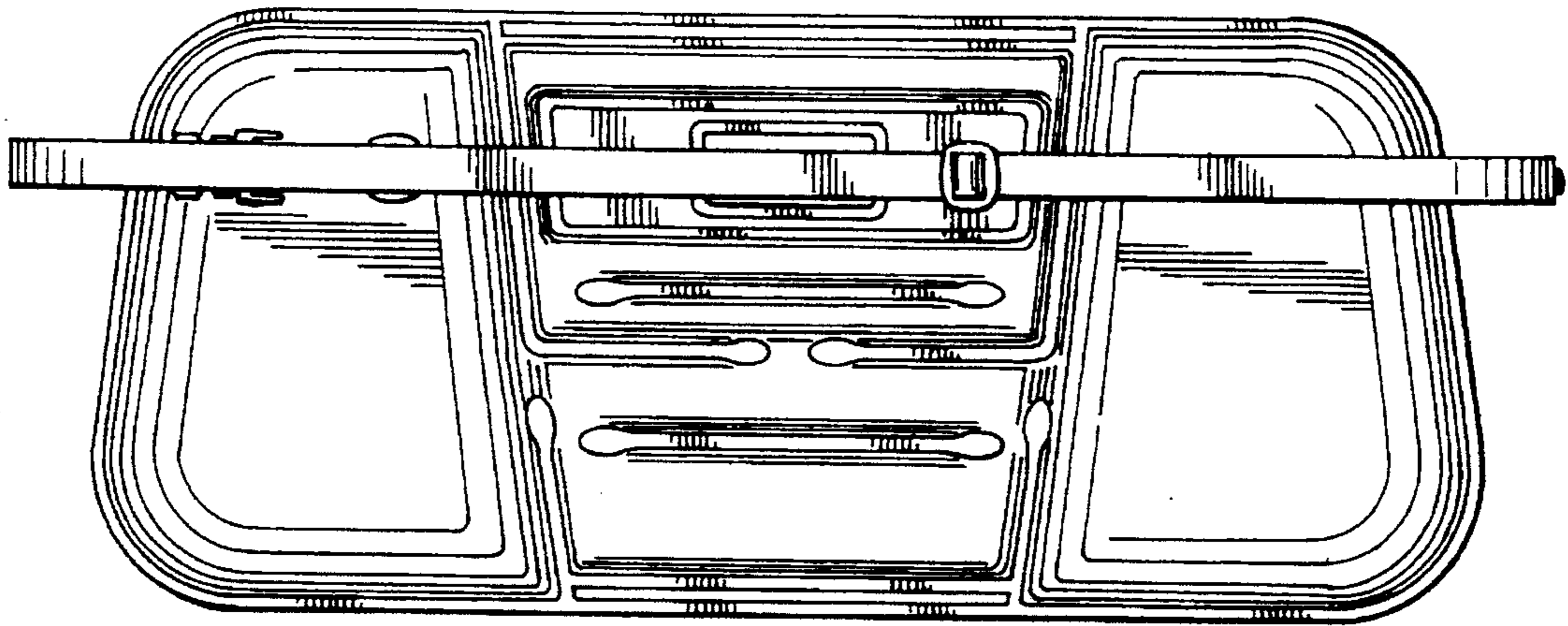


FIG. 4

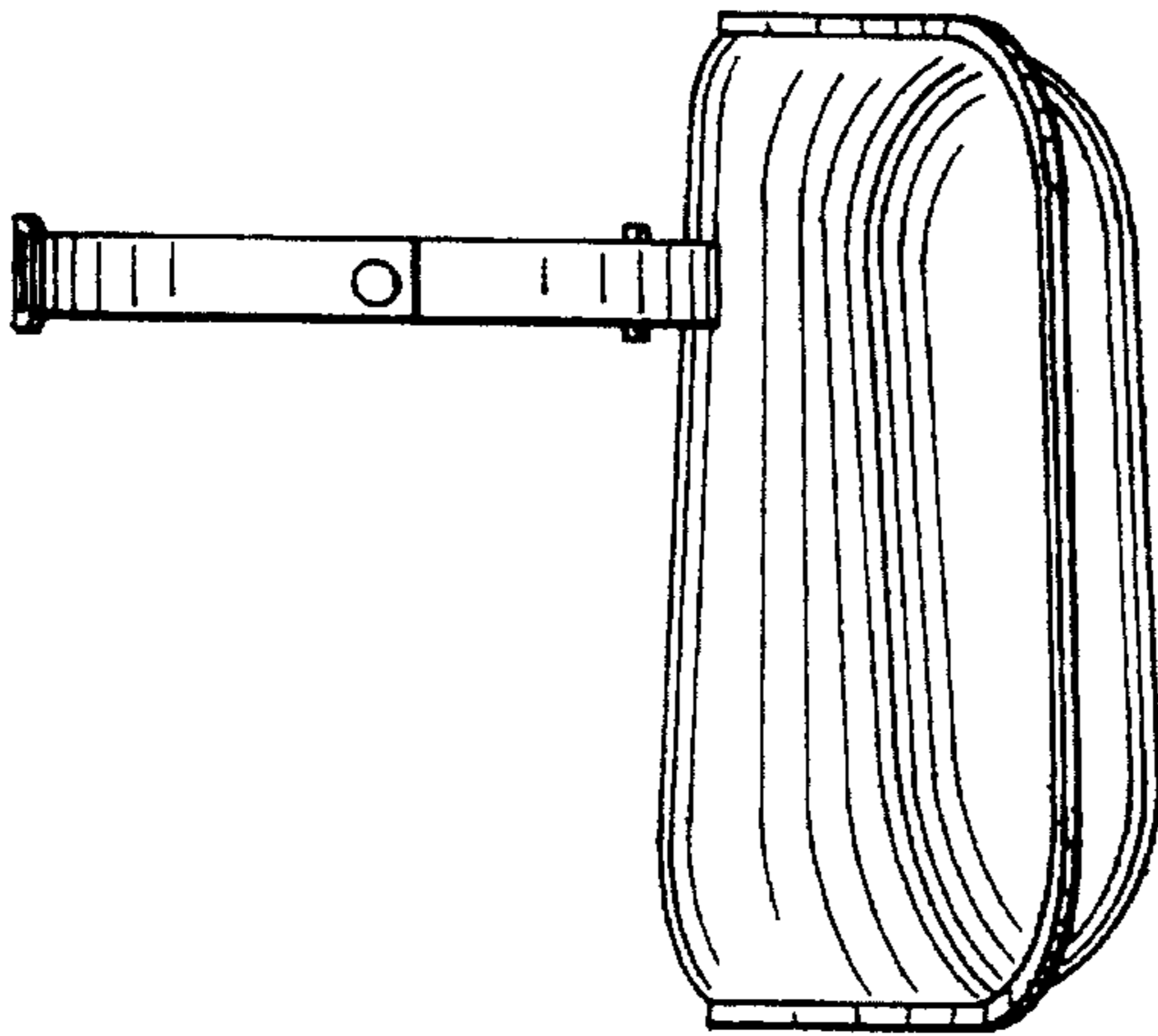


FIG. 5

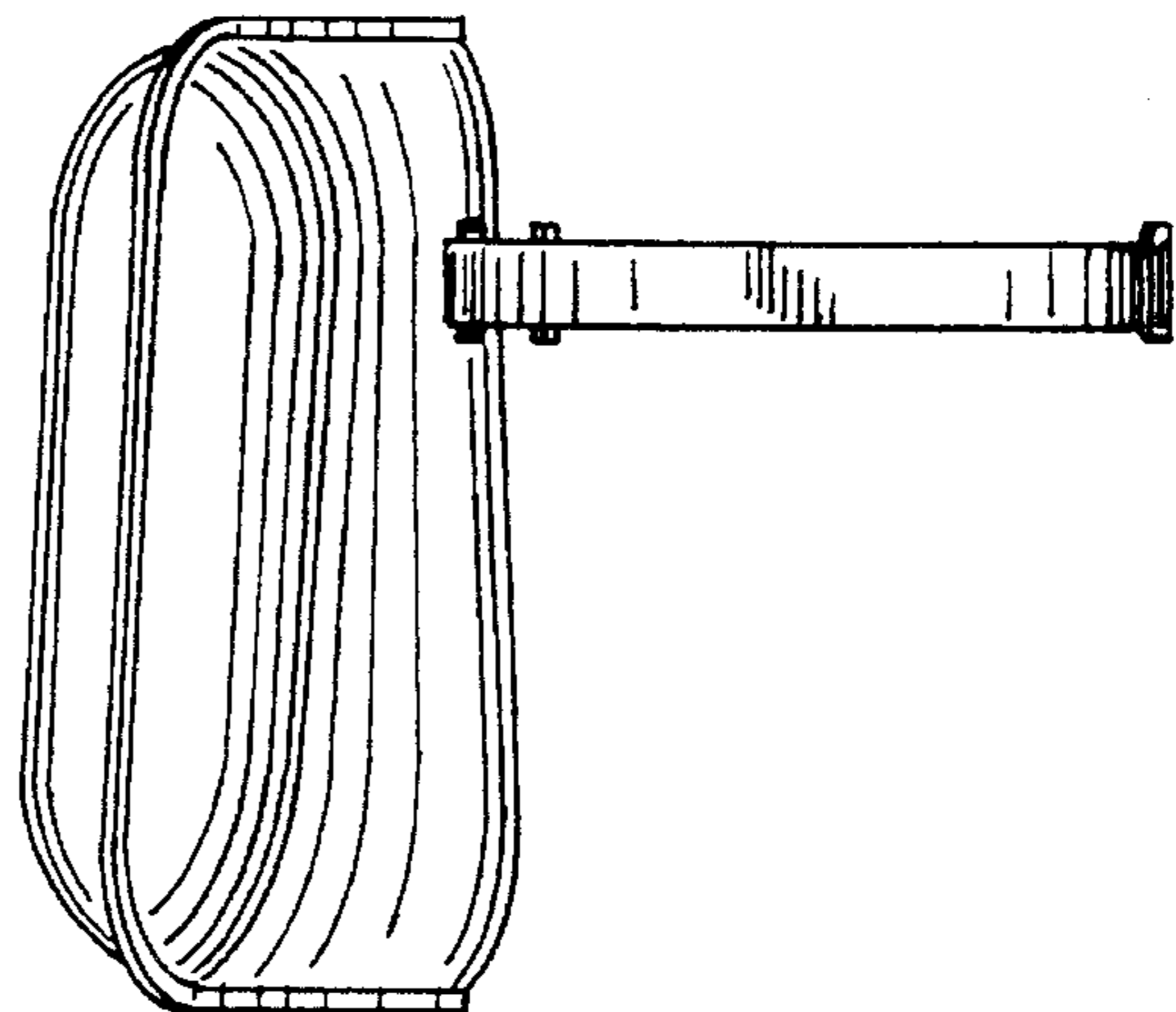


FIG.6

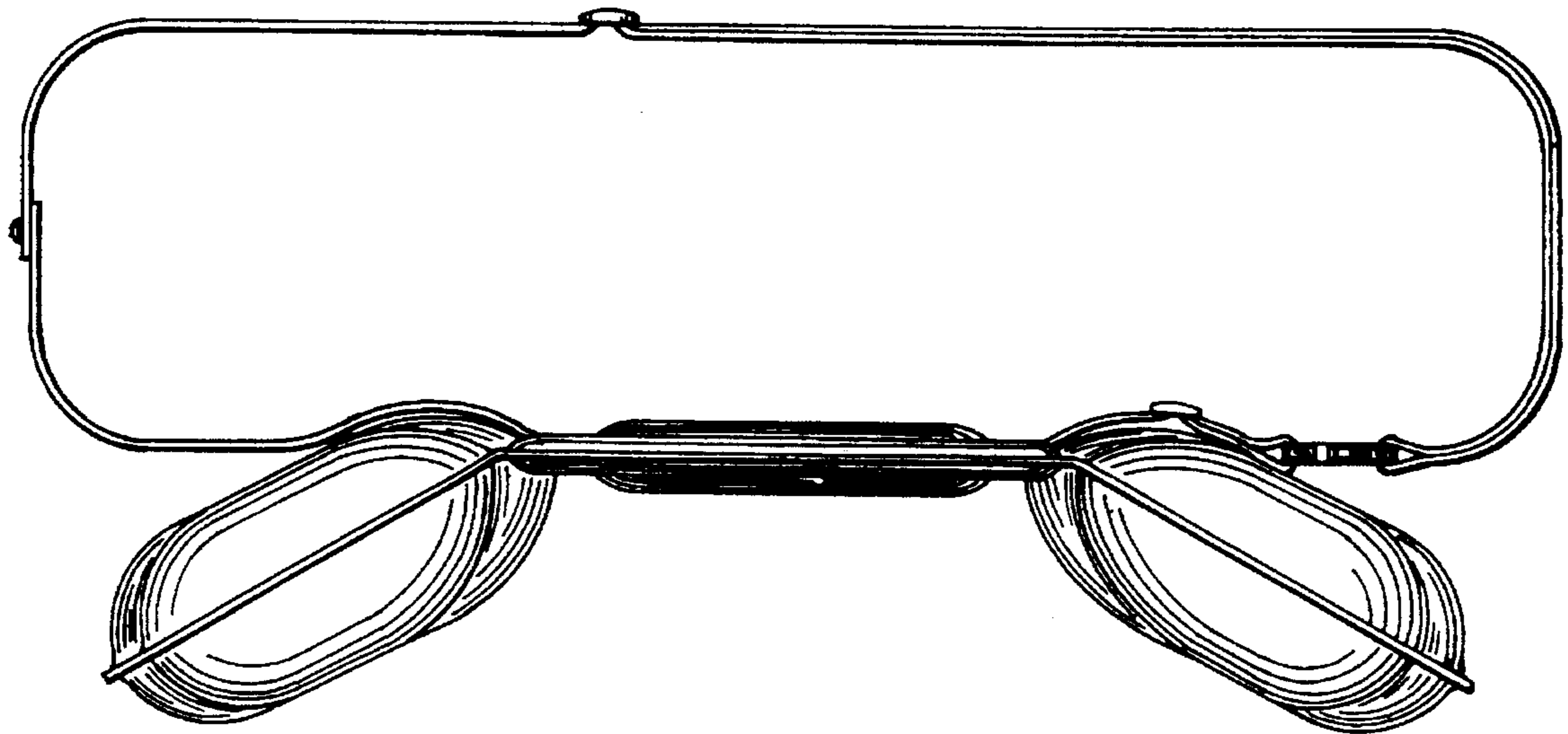


FIG.7

