



US00D373276S

# United States Patent [19]

[11] Patent Number: **Des. 373,276**

**Omdoll et al.**

[45] Date of Patent: **\*\*Sep. 3, 1996**

[54] **TOILET TISSUE DISPENSER**

D. 310,922	10/1990	Sgimund	.....	D6/523 X
D. 335,410	5/1993	Abel et al.	.....	D6/520
D. 351,520	10/1994	Frazier et al.	.....	D6/523 X
4,872,601	10/1989	Sgimund	.....	D6/520 X

[75] Inventors: **Paul A. Omdoll**, Waukesha; **Scott J. Collins**, Brown Deer, both of Wis.

*Primary Examiner*—Brian N. Vinson  
*Attorney, Agent, or Firm*—Michael, Best & Friedrich

[73] Assignees: **Lake Geneva Spindustries**, Lake Geneva; **Fort Howard Corporation**, Green Bay, both of Wis.

[57] **CLAIM**

[\*\*] Term: **14 Years**

The ornamental design for a toilet tissue dispenser, as shown and described.

[21] Appl. No.: **43,003**

**DESCRIPTION**

[22] Filed: **Aug. 23, 1995**

[52] U.S. Cl. .... **D6/520**

[58] Field of Search ..... D6/518, 520, 522-523;  
242/560, 570; 312/34.8; 206/389, 391

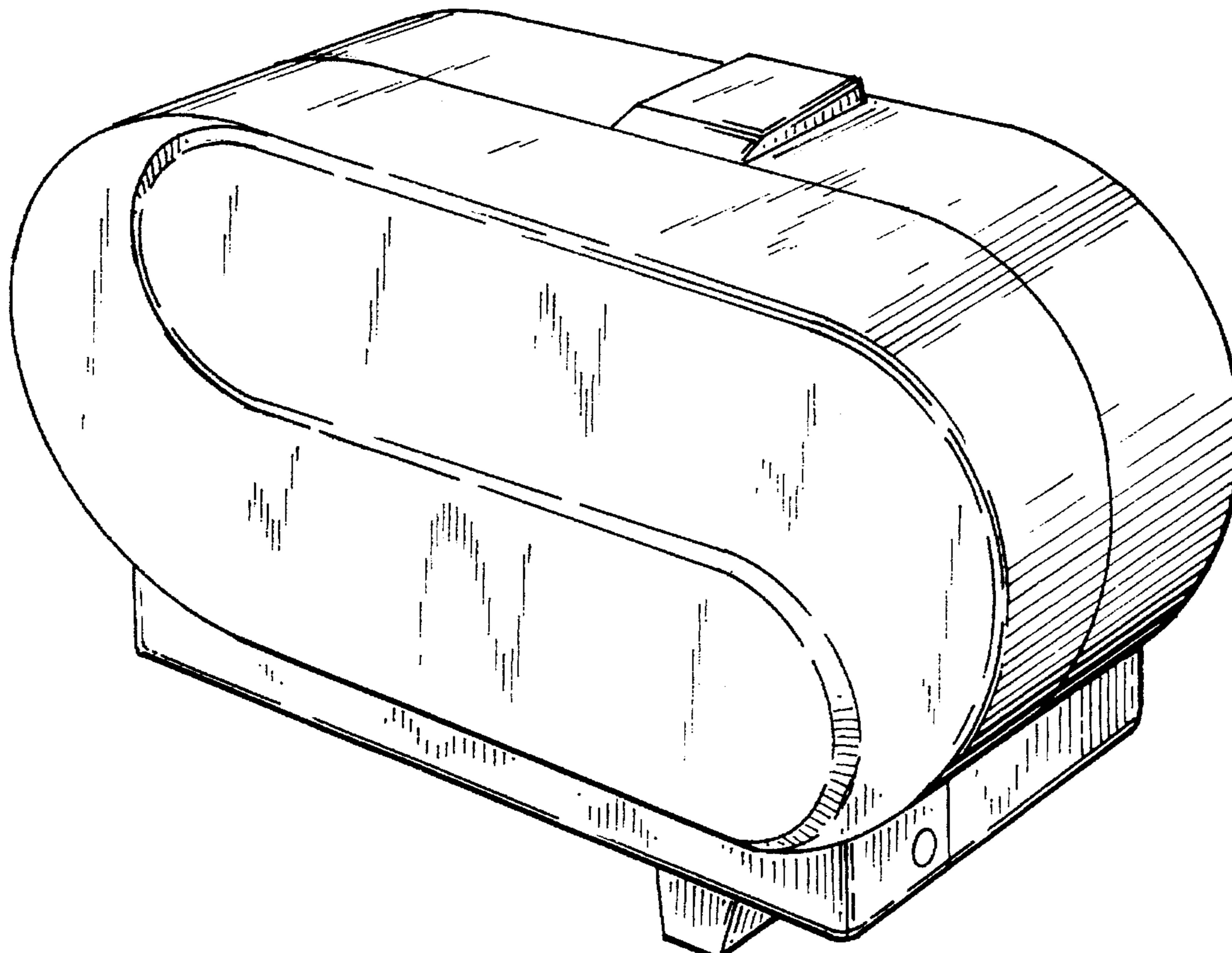
FIG. 1 is a perspective front view of the toilet tissue dispenser showing our new design;  
FIG. 2 is a perspective bottom view thereof;  
FIG. 3 is a left side elevational view thereof;  
FIG. 4 is a front elevational view thereof;  
FIG. 5 is a top plan view thereof; and,  
FIG. 6 is rear elevational view thereof.

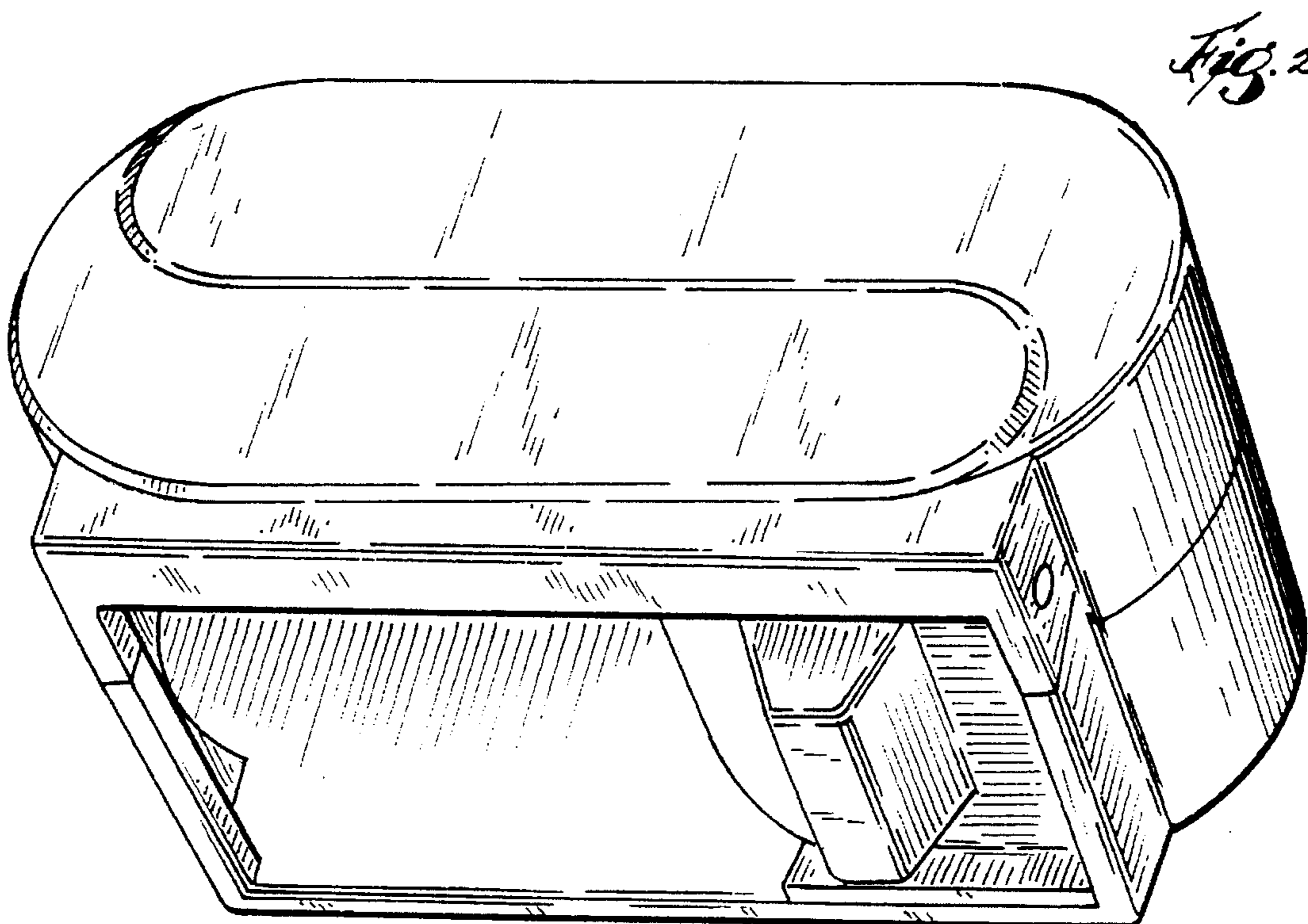
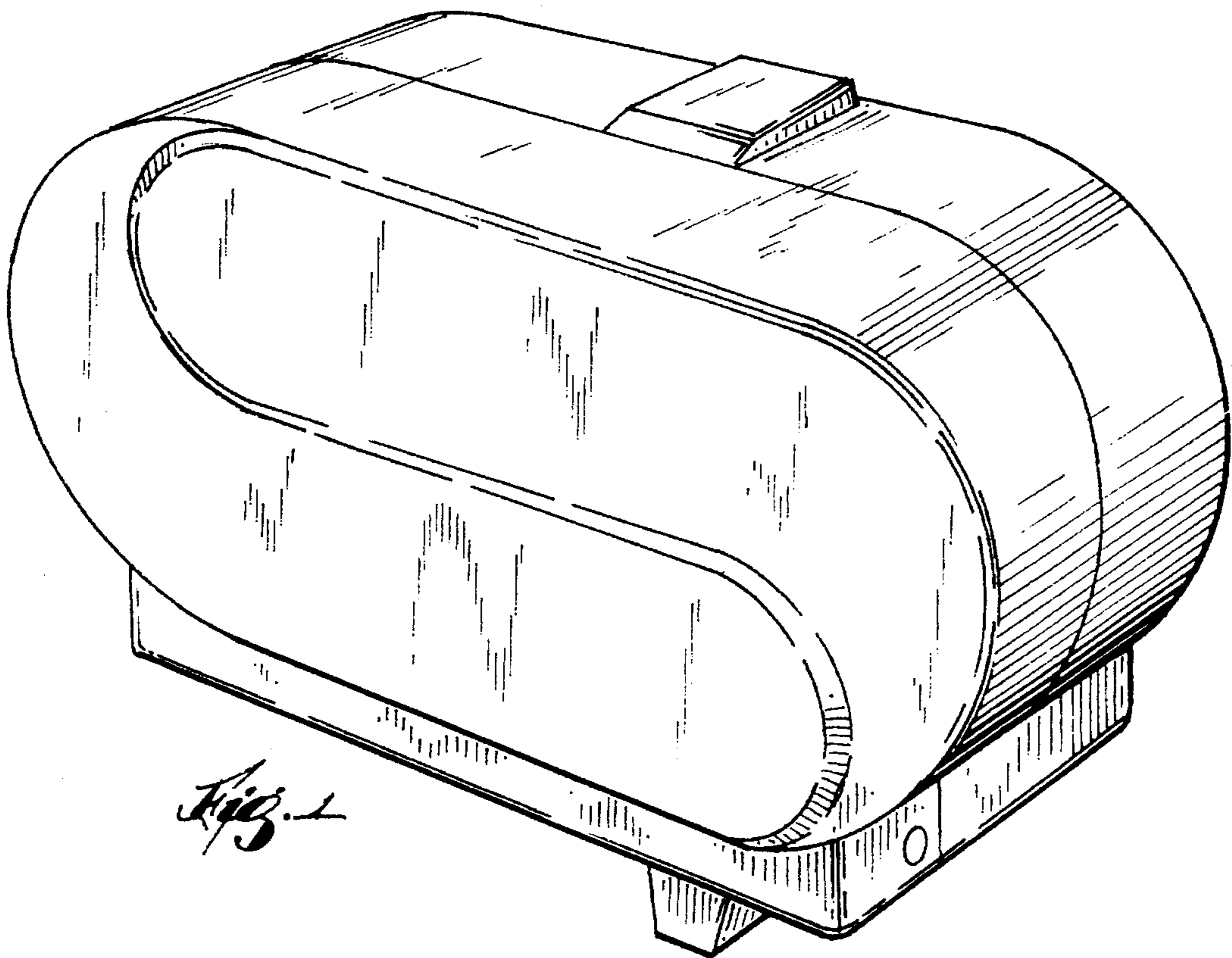
[56] **References Cited**

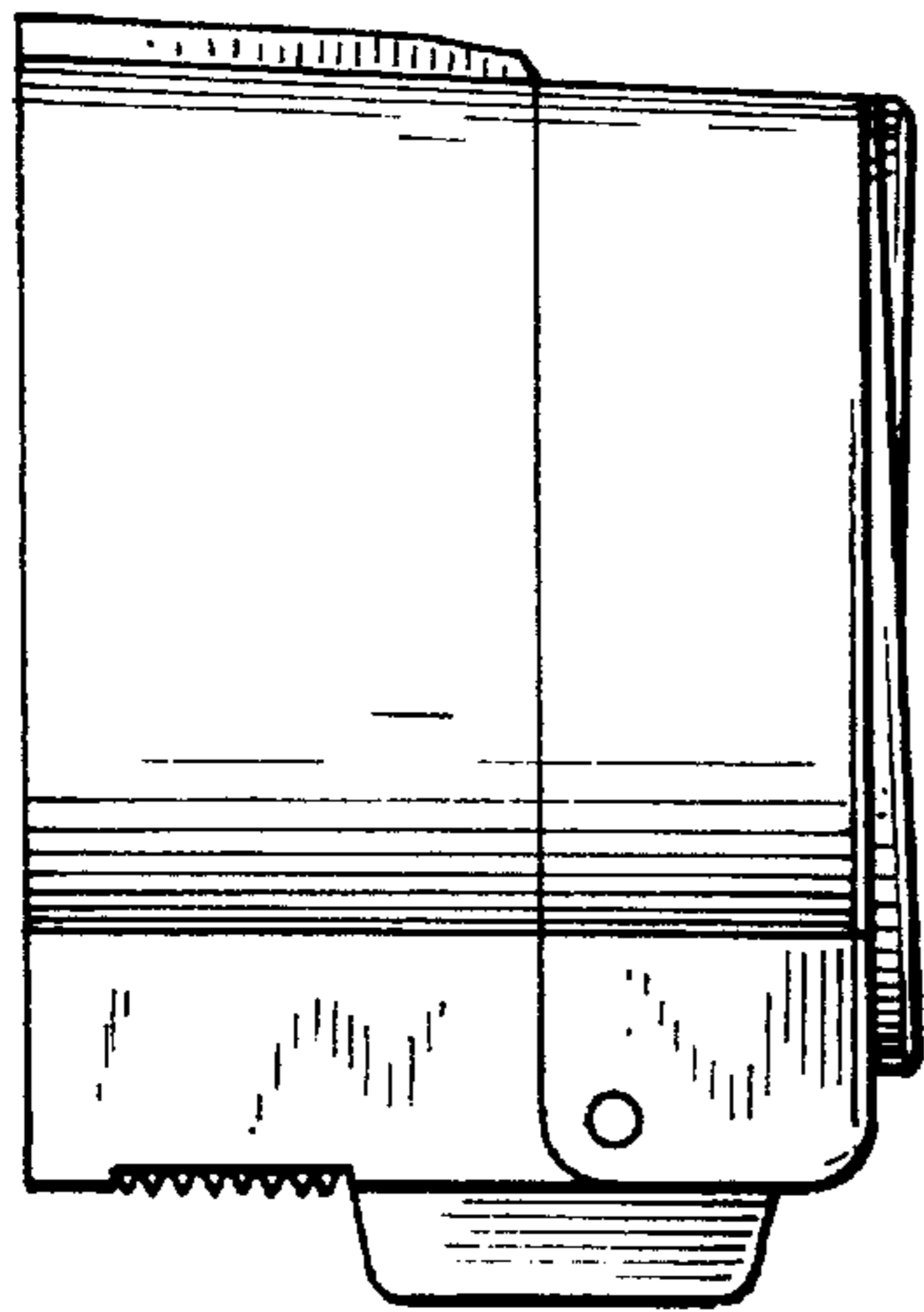
**U.S. PATENT DOCUMENTS**

D. 307,845 5/1990 Omdoll et al. .... D6/520

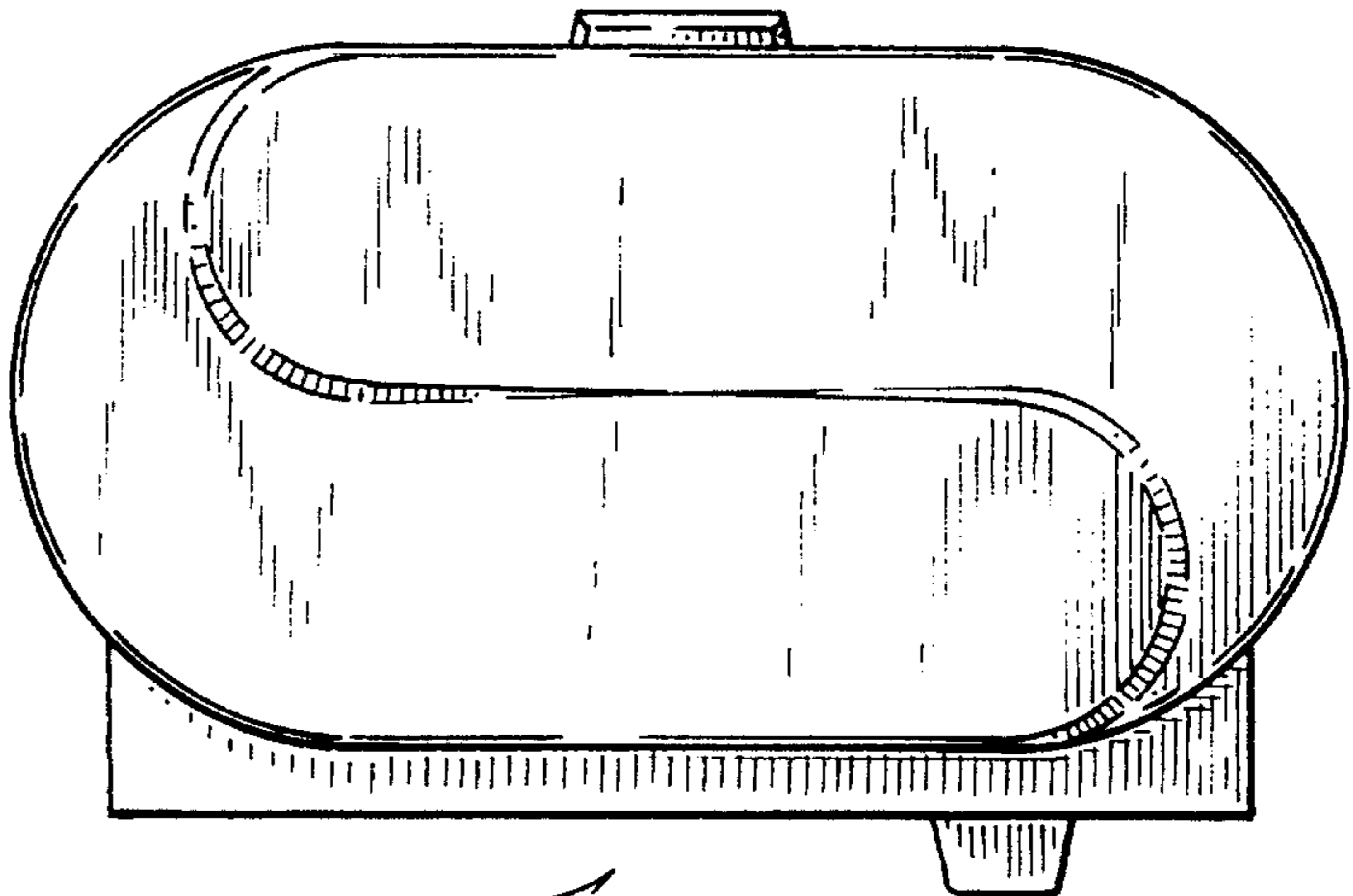
**1 Claim, 2 Drawing Sheets**



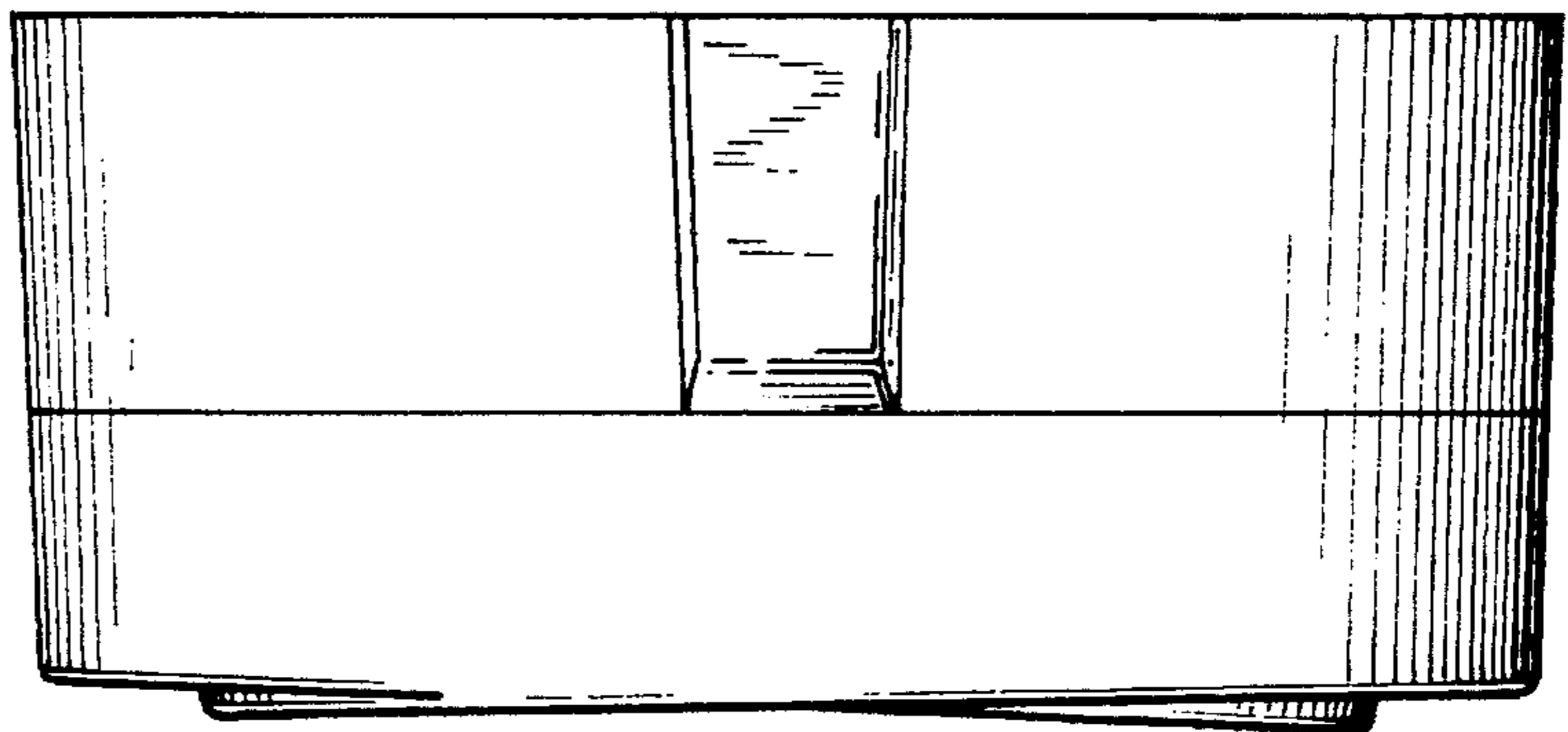




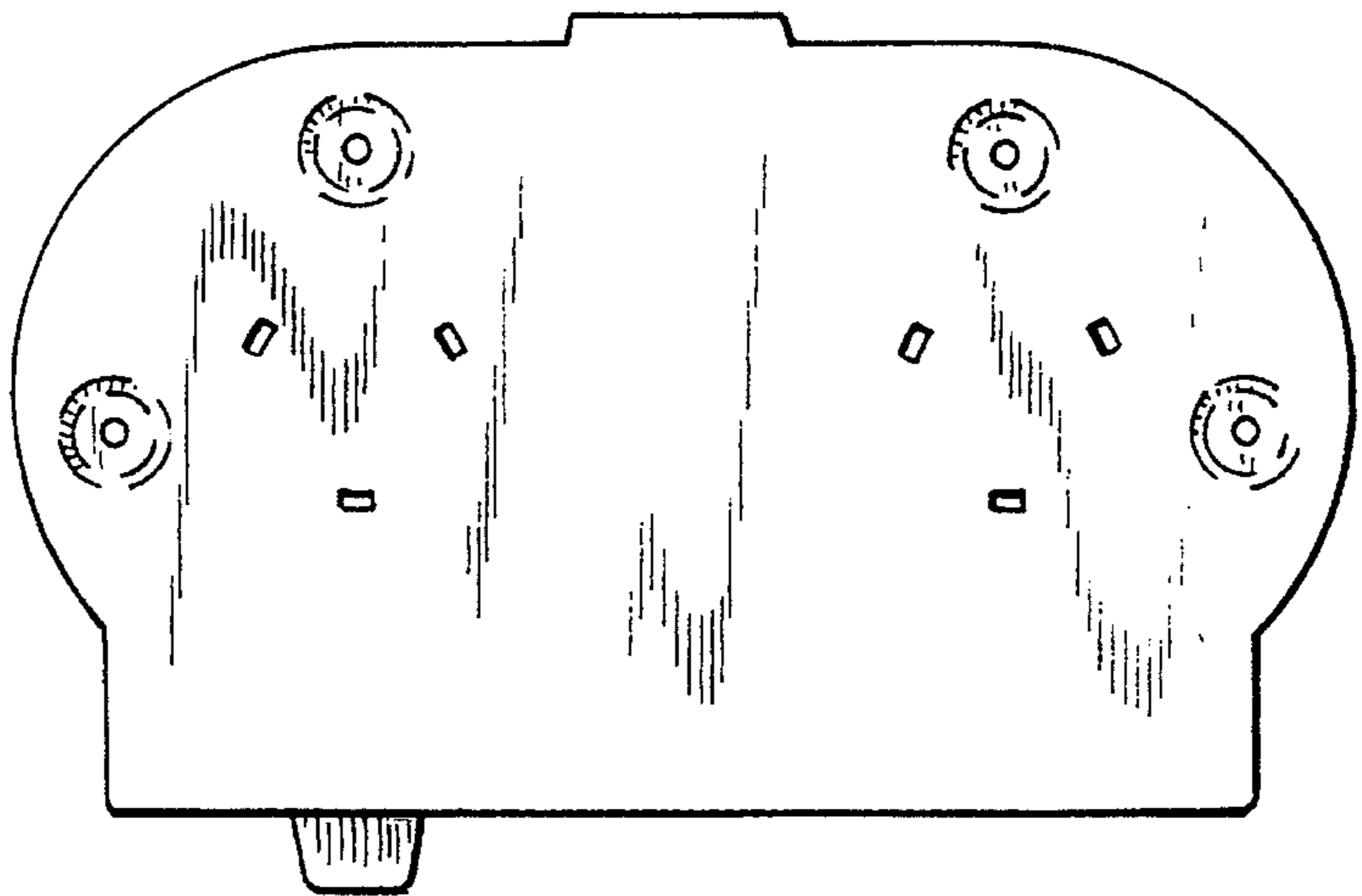
*Fig. 3*



*Fig. 4*



*Fig. 5*



*Fig. 6*