



US00D373271S

United States Patent [19]

Rosh et al.

[11] Patent Number: Des. 373,271

[45] Date of Patent: **Sep. 3, 1996

[54] FISHING ROD HOLDER FOR A FISHING ROD LOCKER

4,881,674	11/1989	Madianik	224/311
5,094,351	3/1992	Barney	211/70.8
5,435,473	7/1995	Larkum	224/922 X

[76] Inventors: James M. Rosh; Lillie A. M. Rosh, both of 1850 County Rd. 384, Crossville, Ala. 35962

OTHER PUBLICATIONS

Sears Boating, © 1989, p. 23, Storage Rod Retainers.

[**] Term: 14 Years

Primary Examiner—Doris V. Coles
Attorney, Agent, or Firm—John Q. Gugliotta

[21] Appl. No.: 43,259

[57] CLAIM

[22] Filed: Aug. 30, 1995

The ornamental design for a fishing rod holder for a fishing rod locker, as shown and described.

[52] U.S. Cl. D6/491; D22/147

[58] Field of Search D22/147, 148; D6/552, 572, 553, 491, 432, 446, 448; D3/260; 211/60.1, 70.8, 87, 65; 224/311, 922; 43/21.2

DESCRIPTION

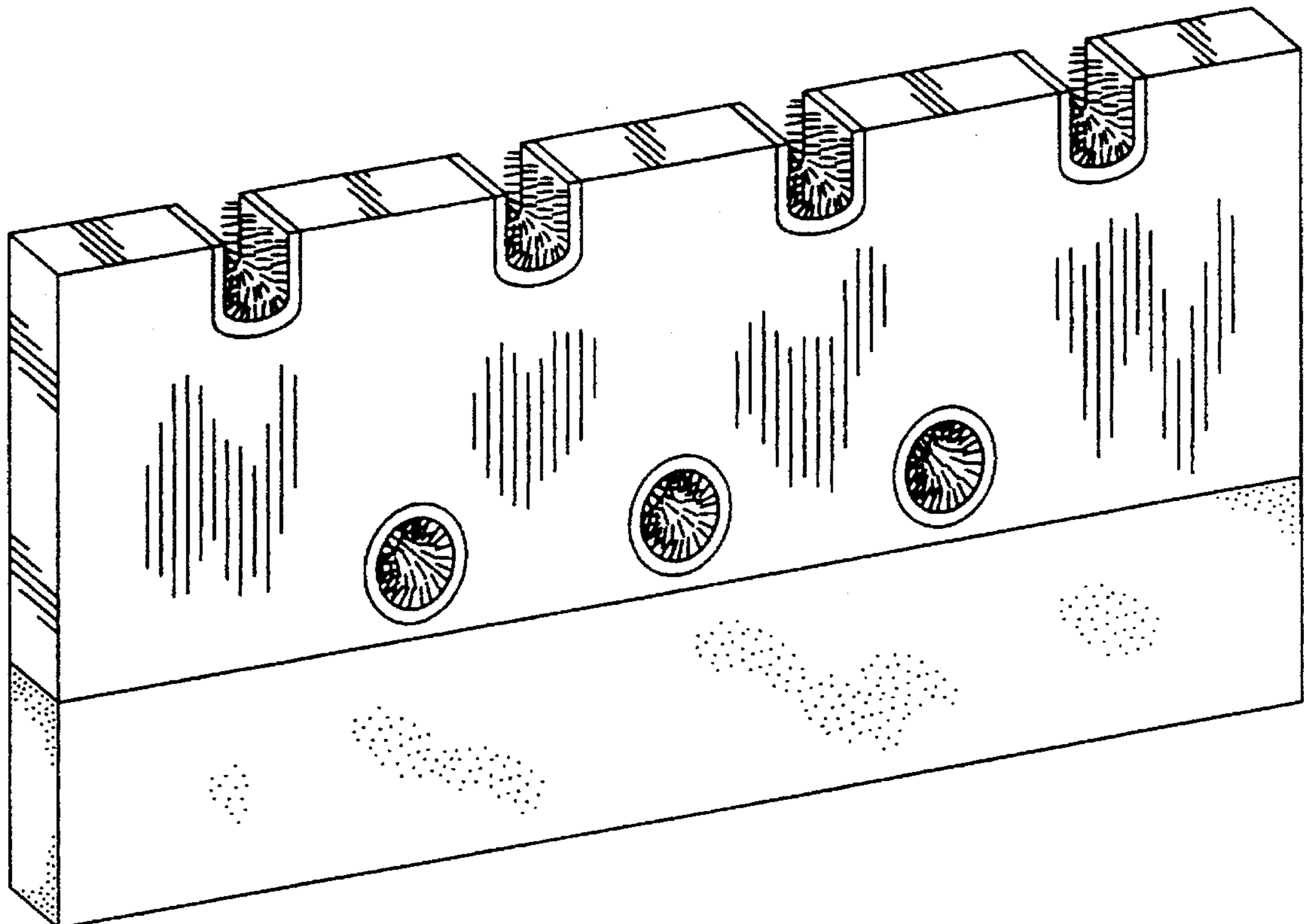
FIG. 1 is a perspective view of a fishing rod holder for a fishing rod locker, showing our new design; FIG. 2 is a left side elevation thereof, the opposite side being a mirror image; FIG. 3 is a rear elevation view thereof, the front being a mirror image; FIG. 4 is a top plan view thereof; and, FIG. 5 is a bottom plan view thereof.

[56] References Cited

U.S. PATENT DOCUMENTS

D. 303,192	9/1989	Bogar, III	D6/552
3,155,299	11/1964	Horne et al.	224/42.1
3,209,918	10/1965	Farrell	211/68
3,487,947	1/1970	Bogar, Jr.	D3/260 X
3,524,572	8/1970	Hall	224/42.1
3,876,076	4/1975	Hazelhurst	211/60 R

1 Claim, 1 Drawing Sheet



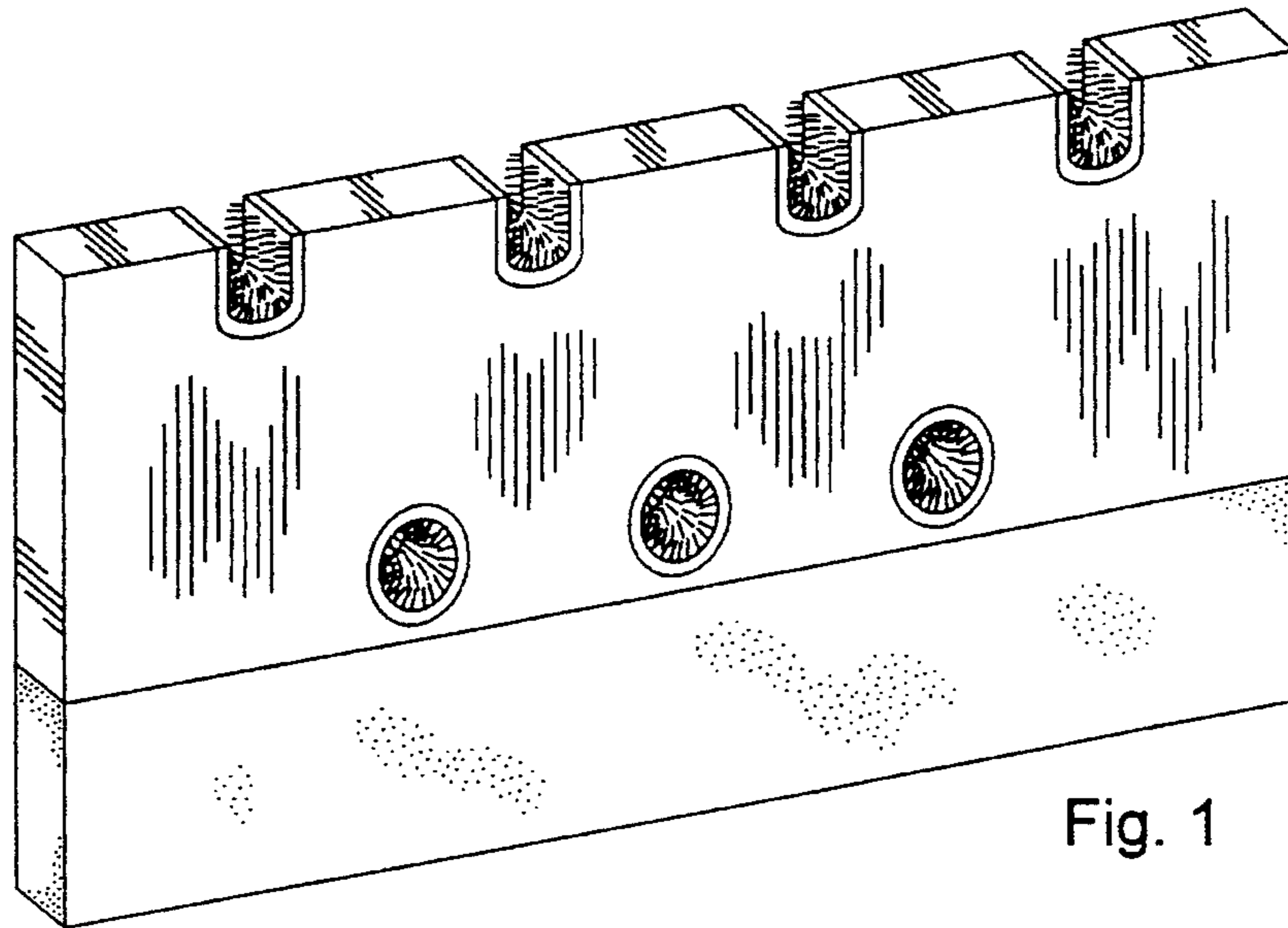


Fig. 1



Fig. 2

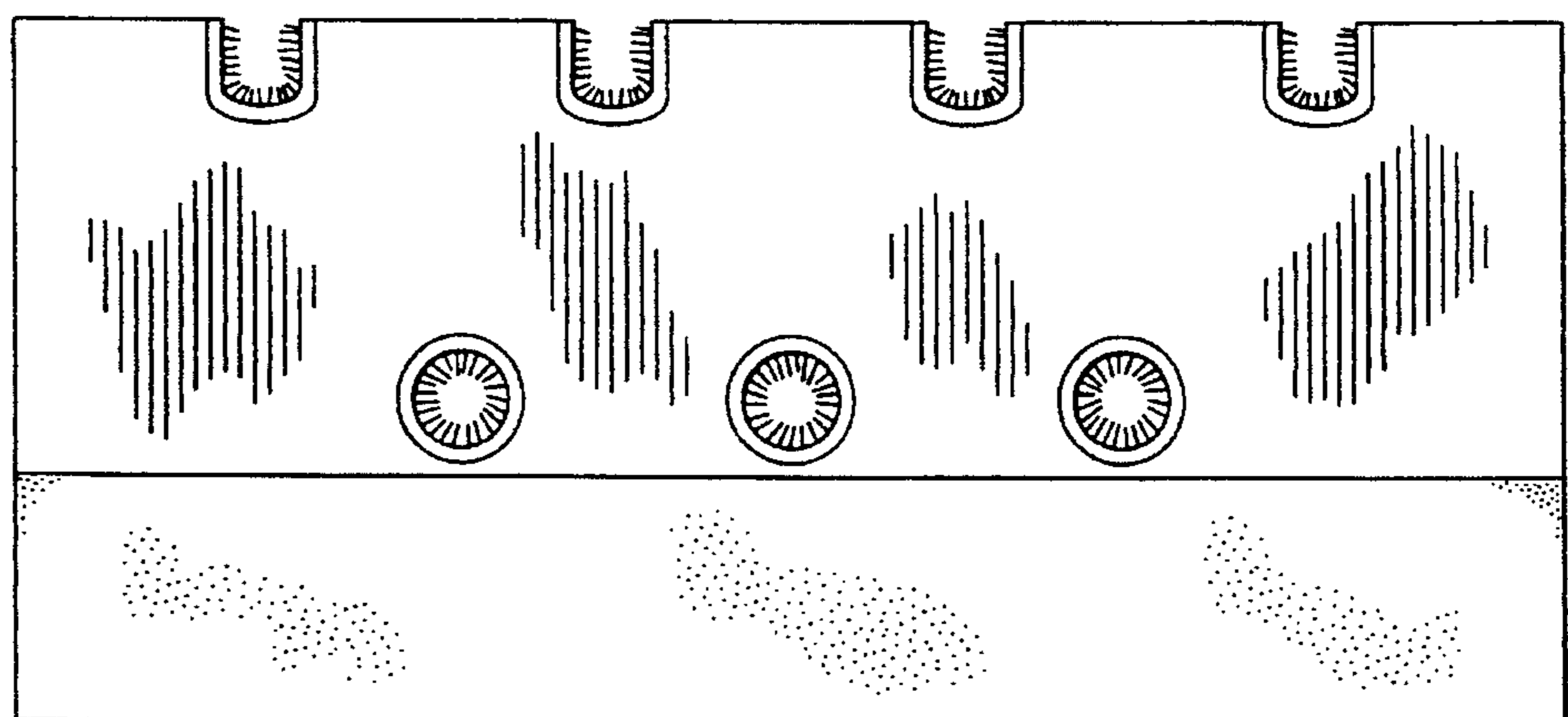


Fig. 3



Fig. 4



Fig. 5