



US00D373270S

United States Patent [19]

Alexander et al.

[11] Patent Number: **Des. 373,270**

[45] Date of Patent: ****Sep. 3, 1996**

[54] **TABLE**

[75] Inventors: **Brian D. T. Alexander**, Fennville;
Roque M. Corpuz, Jr., Grand Rapids;
Paul A. Glashouwer, Byron Center, all
of Mich.

[73] Assignee: **Haworth, Inc.**, Holland, Mich.

[**] Term: **14 Years**

[21] Appl. No.: **39,690**

[22] Filed: **Jun. 2, 1995**

[52] U.S. Cl. **D6/487**; D6/480

[58] Field of Search D6/480-489, 495-499,
D6/429, 430; 108/153, 156, 161; 248/188,
188.1, 188.8

[56] **References Cited**

U.S. PATENT DOCUMENTS

D. 72,659	5/1927	Bach	D6/480
D. 114,203	4/1939	Wright	.	
D. 138,068	6/1944	Puls et al.	D6/495
D. 184,530	3/1959	McCarthy et al.	.	
D. 352,853	11/1994	Hosoe	D6/482
D. 357,145	4/1995	Bubb	D6/480

OTHER PUBLICATIONS

“WRIGHT NOW” article, by Pietro Borretti, FDM Furniture Design & Manufacturing, Mar. 1994, (4 pages).

“Kyo” line of furniture brochure, President Office Furniture, (21 pages).

Primary Examiner—Janice E. Seeger

Attorney, Agent, or Firm—Flynn, Thiel, Boutell & Tanis, P.C.

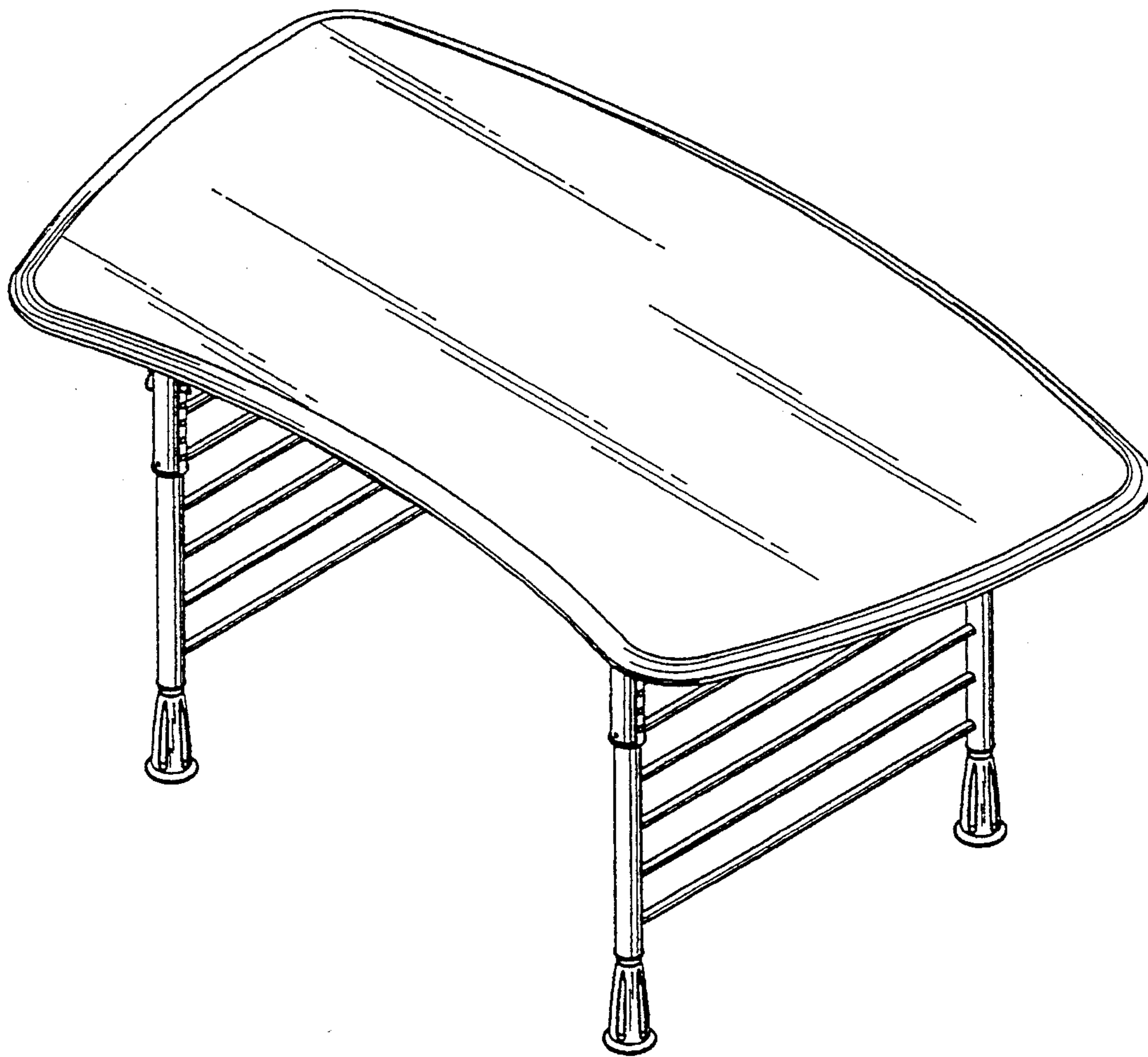
[57] **CLAIM**

The ornamental design of a table, as shown and described.

DESCRIPTION

FIG. 1 is a perspective view of a table showing our design; FIG. 2 is a top plan view thereof; FIG. 3 is a bottom view thereof; FIG. 4 is a right-side elevational view thereof, the left-side elevational view being a mirror image thereof; and FIG. 5 is a front-side elevational view thereof, the rear-side elevational view being substantially identical thereof; and, FIG. 6 is a perspective view of a variation of a table showing our design, the design of FIG. 6 being the same as the design of FIG. 1 except that the feet of FIG. 1 are replaced by casters in FIG. 6.

1 Claim, 6 Drawing Sheets



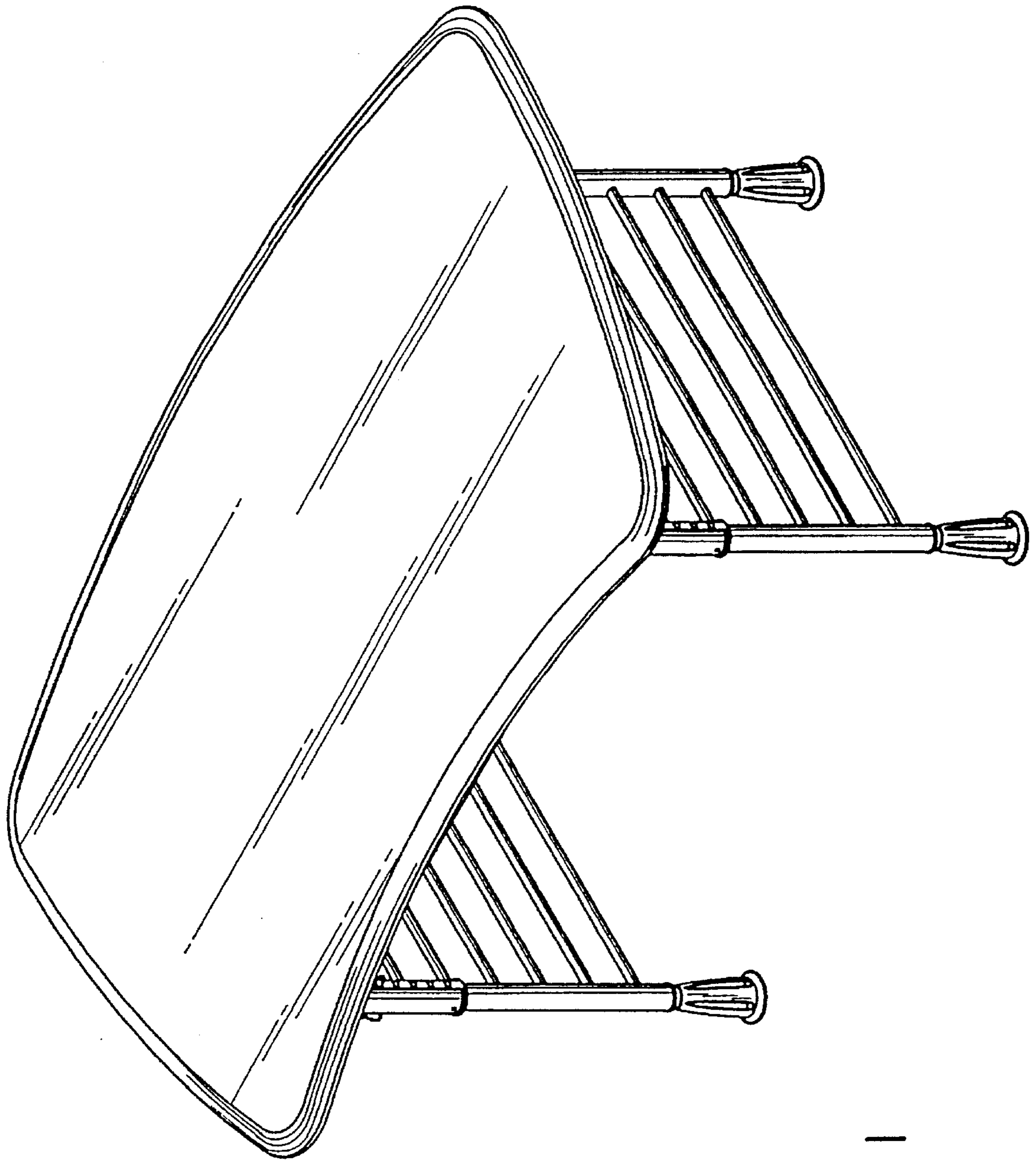


FIG. 1

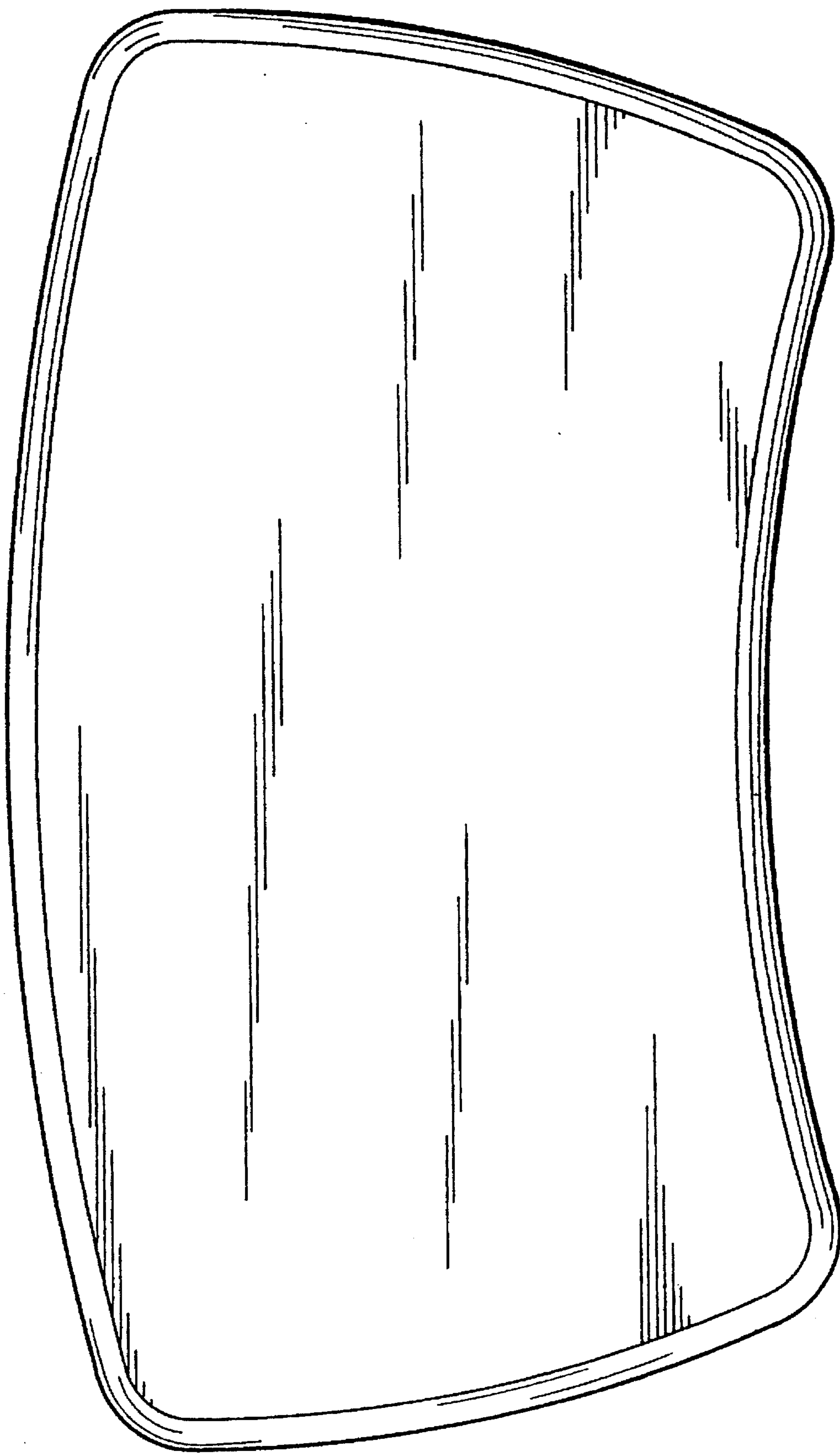


FIG. 2

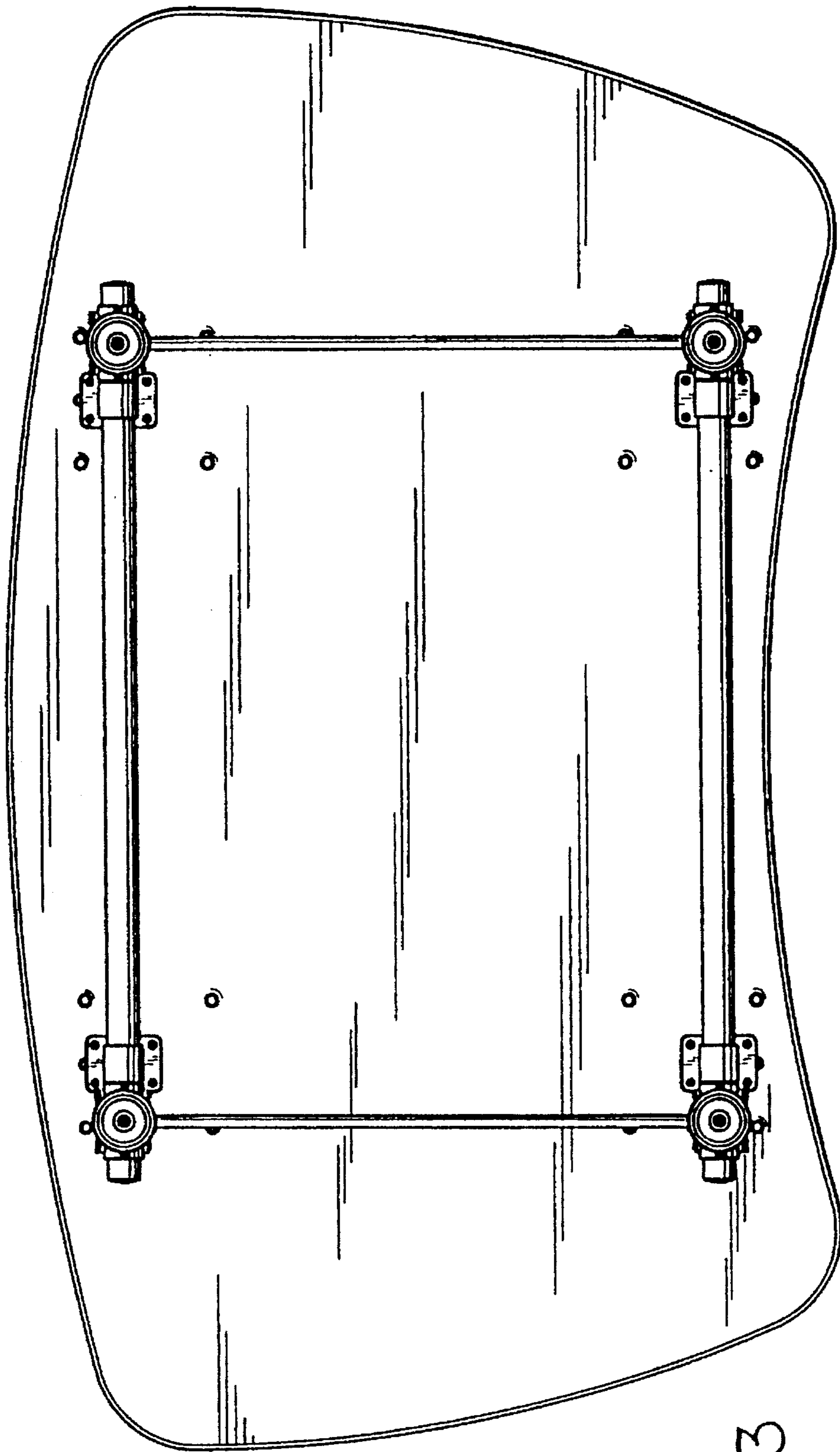


FIG. 3

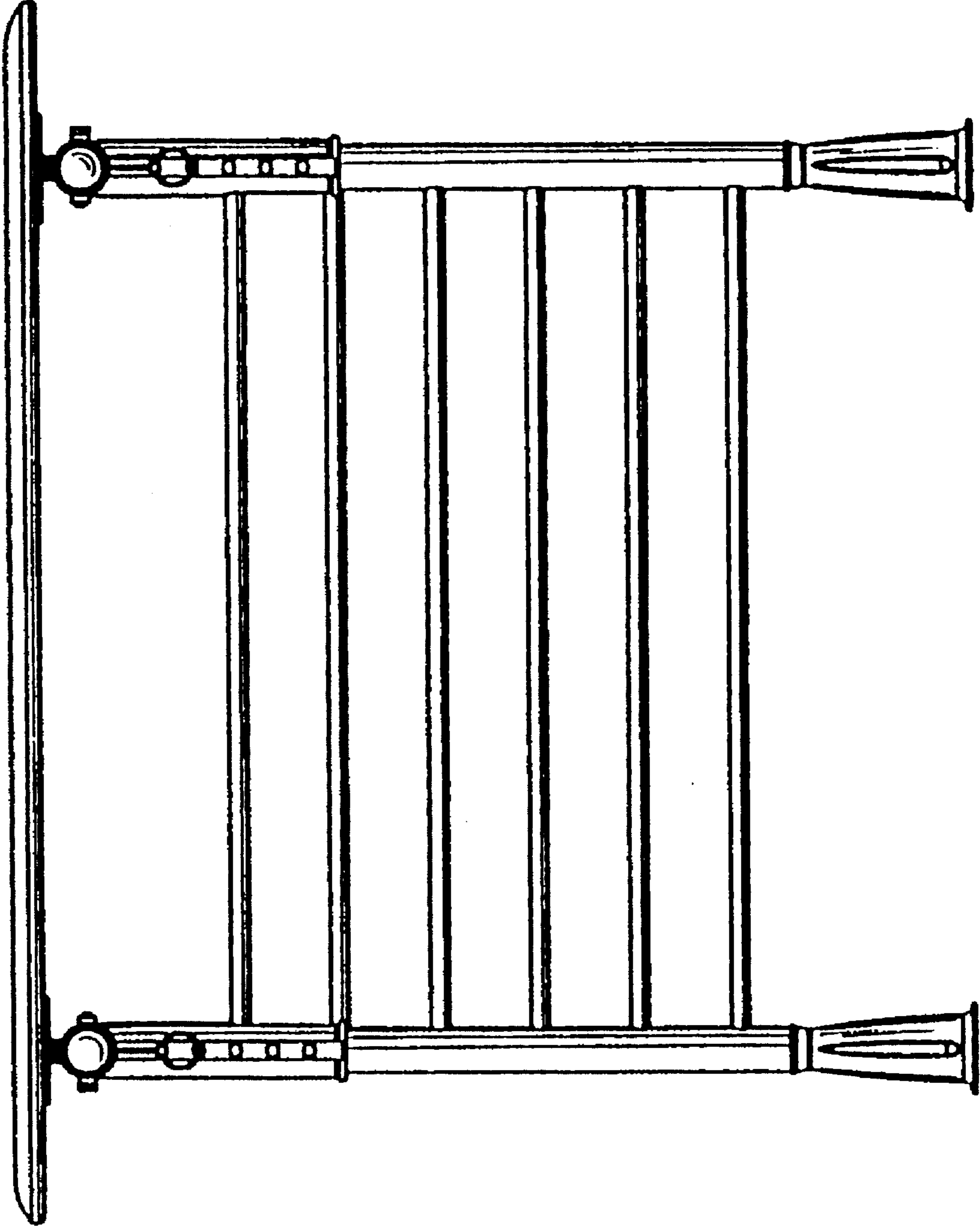


FIG. 4

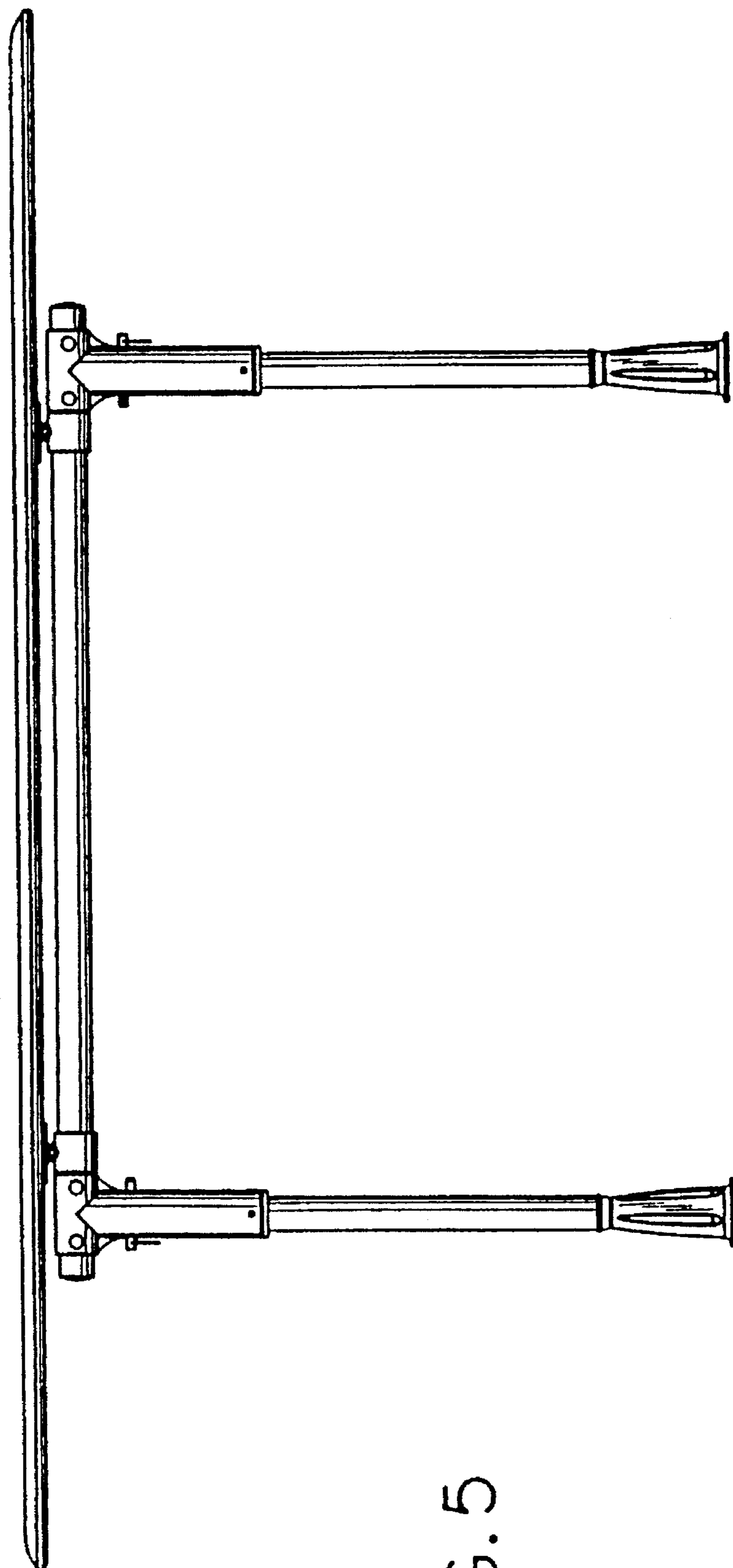


FIG. 5

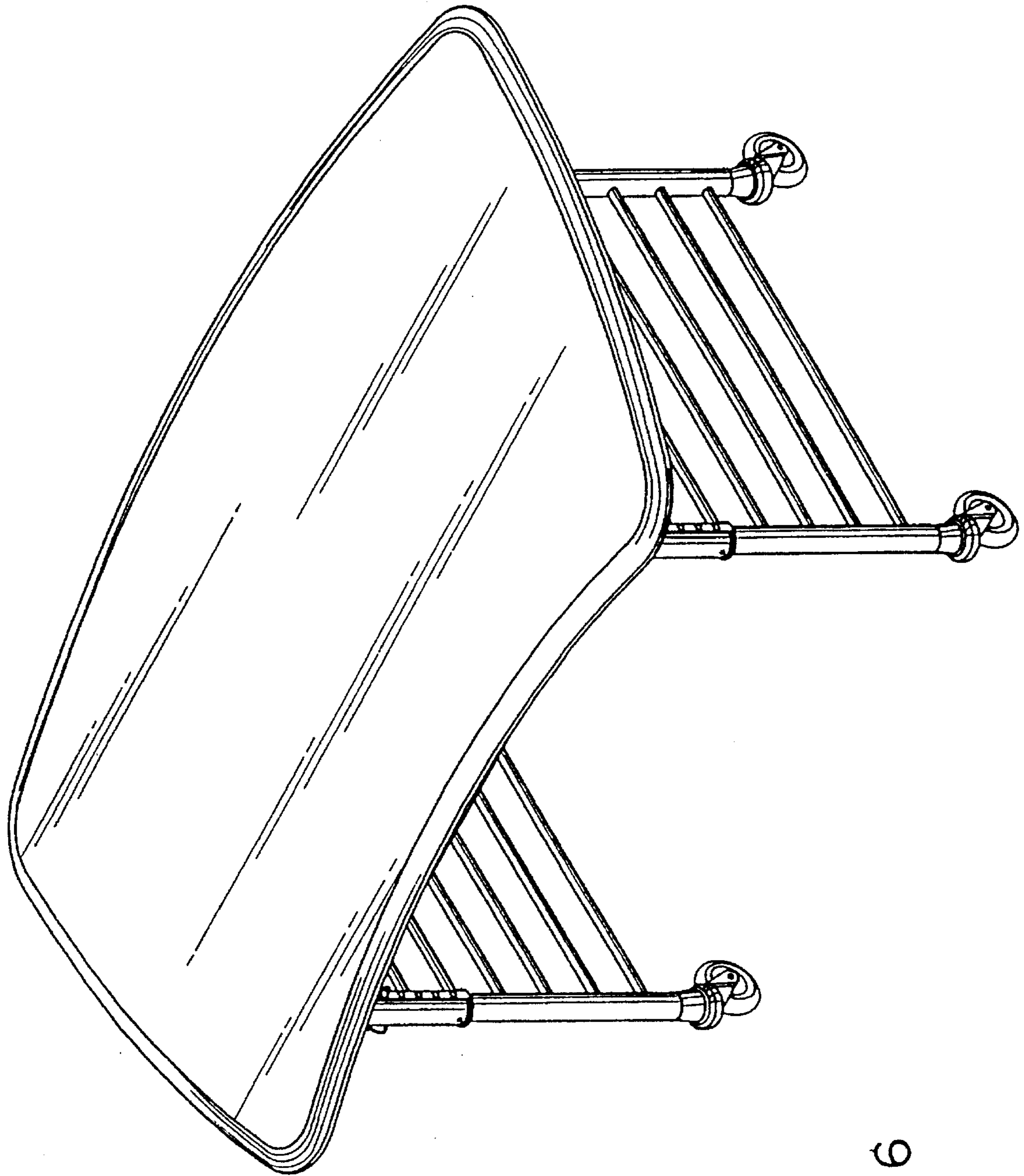


FIG. 6