



US00D373265S

United States Patent [19]
Horvath

[11] **Patent Number:** **Des. 373,265**
[45] **Date of Patent:** ****Sep. 3, 1996**

[54] **TABLE**

[76] **Inventor:** **Wayne Horvath**, #9-7165 Pandora Street, Burnaby, British Columbia, Canada, V5A 1B6

[**] **Term:** **14 Years**

[21] **Appl. No.:** **27,769**

[22] **Filed:** **Aug. 31, 1994**

[30] **Foreign Application Priority Data**

Jul. 12, 1994 [CA] Canada 1994-1357

[52] **U.S. Cl.** **D6/451**

[58] **Field of Search** D6/480-489, 497, D6/450, 451; 108/153, 156, 161; 248/188, 188.1, 188.8

[56] **References Cited**

U.S. PATENT DOCUMENTS

D. 223,839 6/1972 Mikell D6/451

D. 226,599 4/1973 Charles D6/451
D. 309,683 8/1990 Solomon et al. D6/450
D. 343,074 1/1994 Whiteaker et al. D6/451
D. 348,363 7/1994 Willemsen D5/451 X

Primary Examiner—Janice E. Seeger
Attorney, Agent, or Firm—Brian M. Long

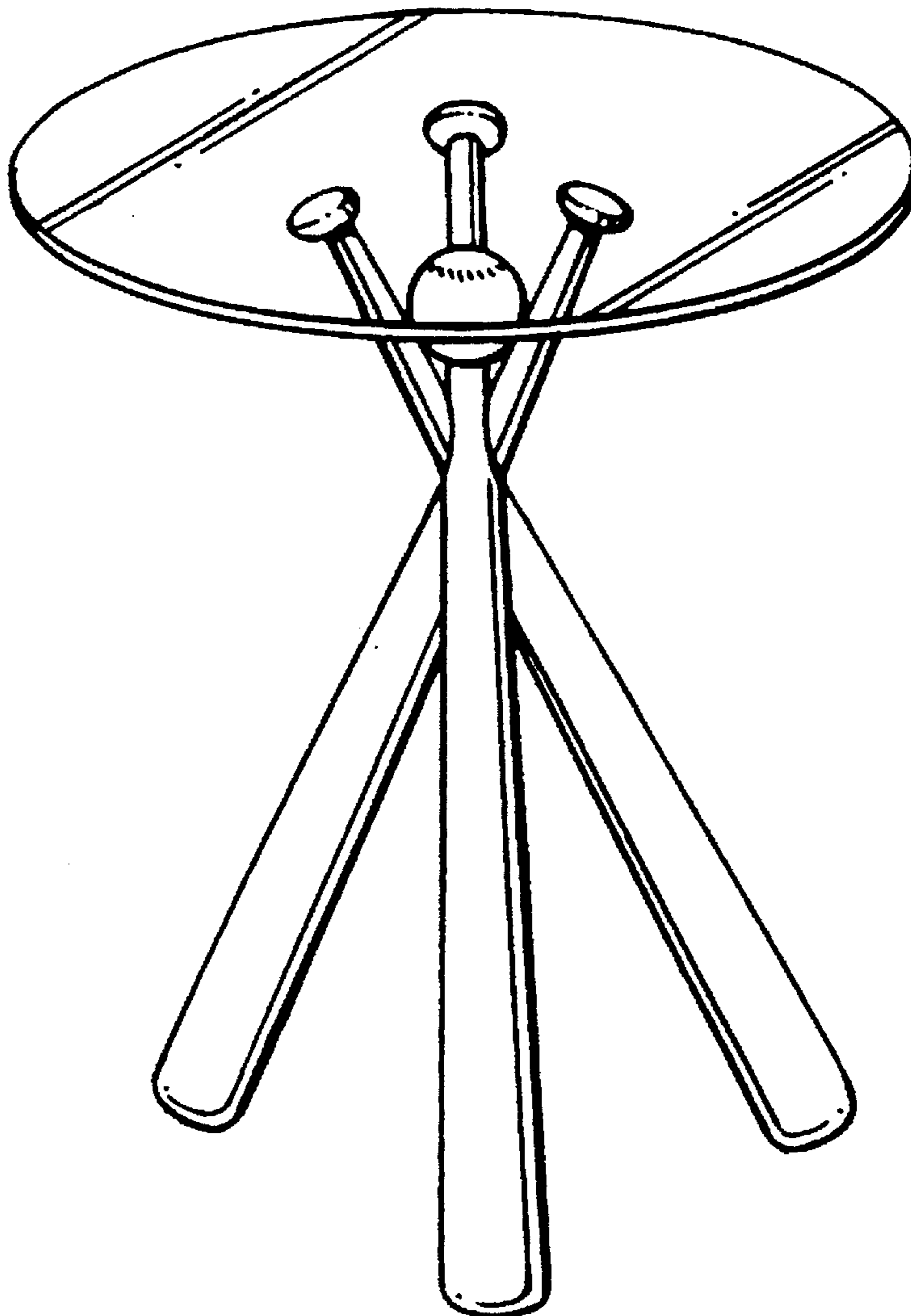
[57] **CLAIM**

The ornamental design for a table, as shown and described.

DESCRIPTION

FIG. 1 is a view in perspective of a table showing the new design;
FIG. 2 is a top plan view thereof;
FIG. 3 is a front elevational view thereof;
FIG. 4 is a rear elevational view thereof;
FIGS. 5 and 6 are side elevational views from opposite sides thereof; and,
FIG. 7 is an underneath plan view thereof.

1 Claim, 3 Drawing Sheets



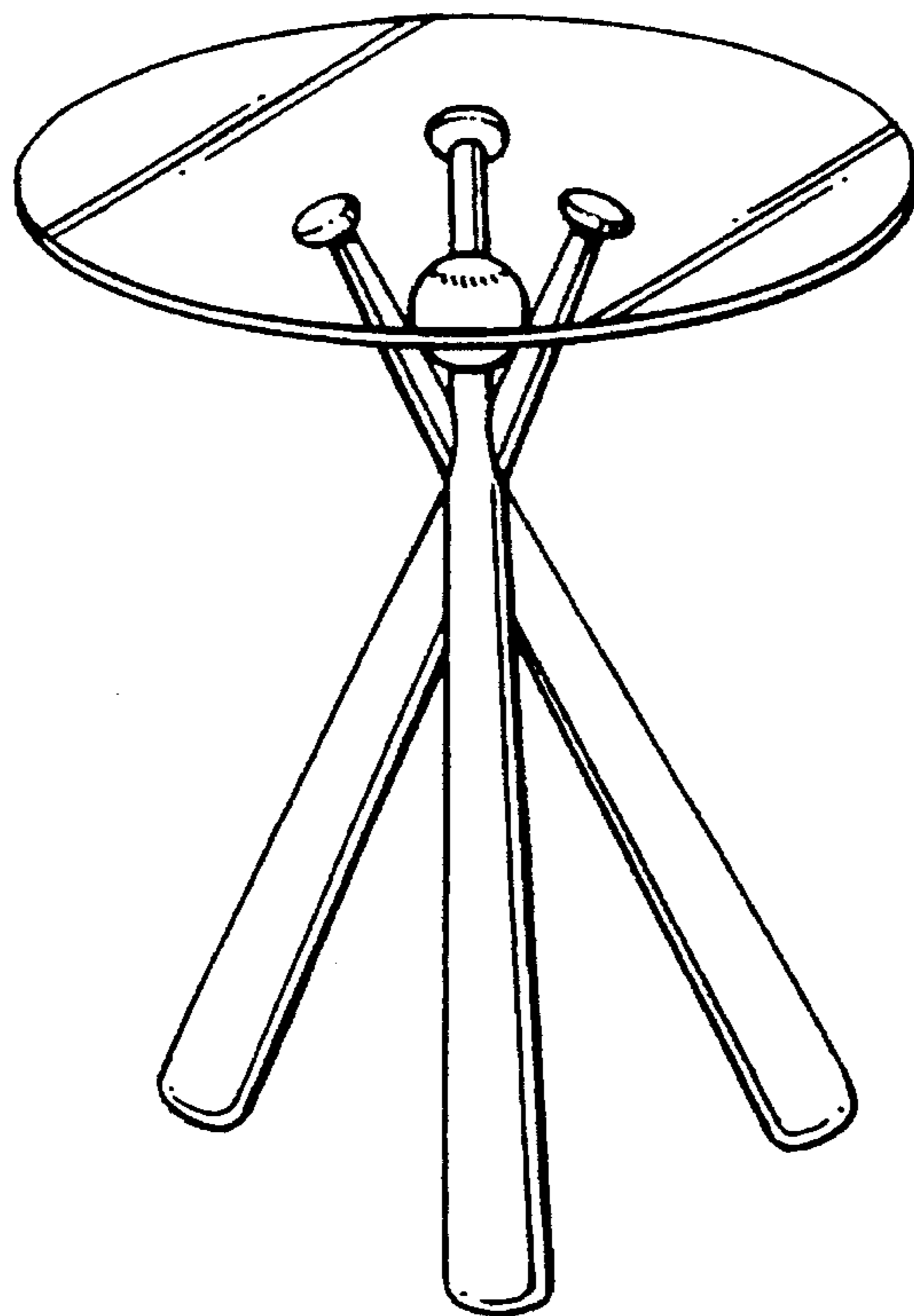


FIG. 1

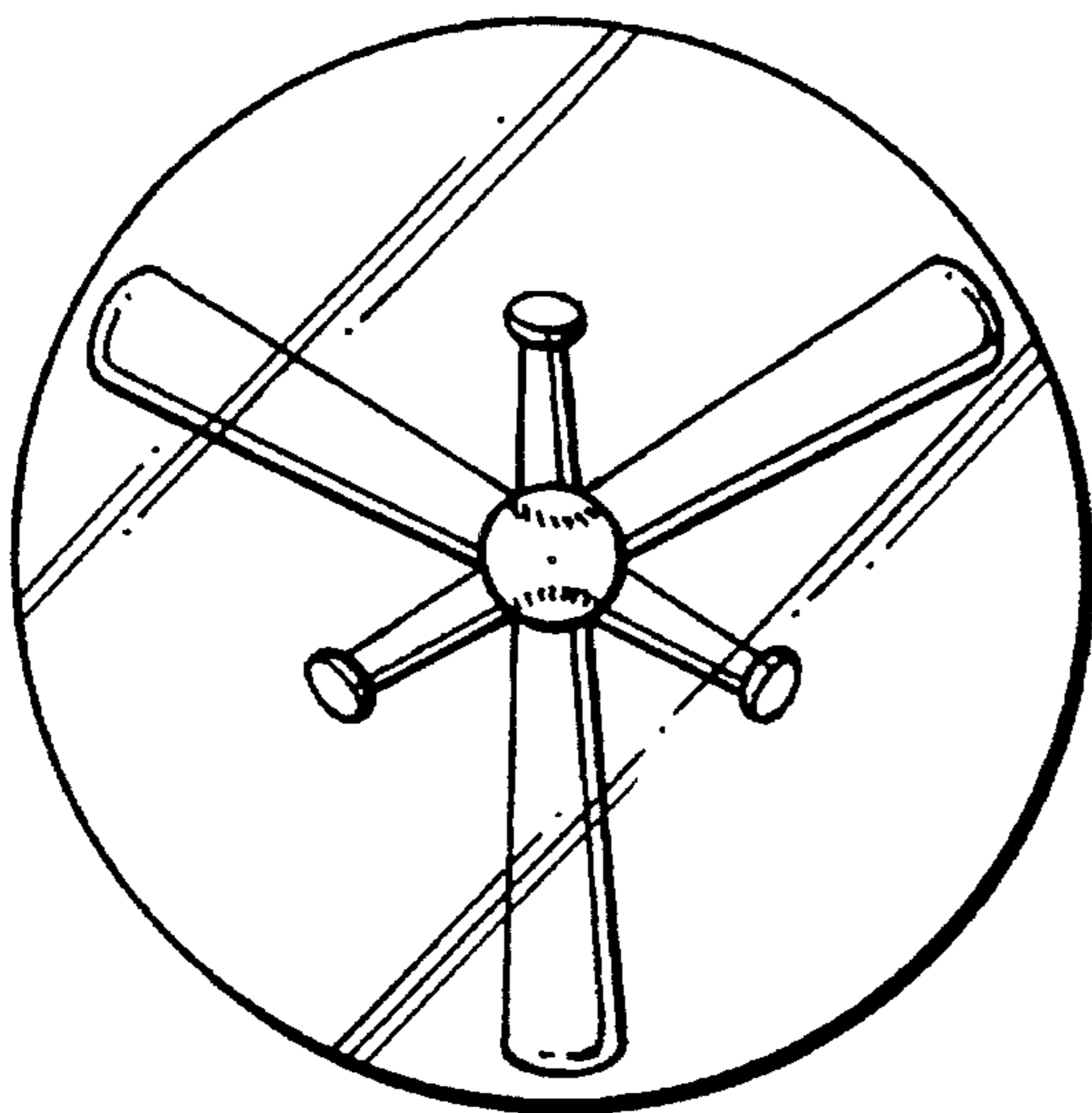


FIG. 2

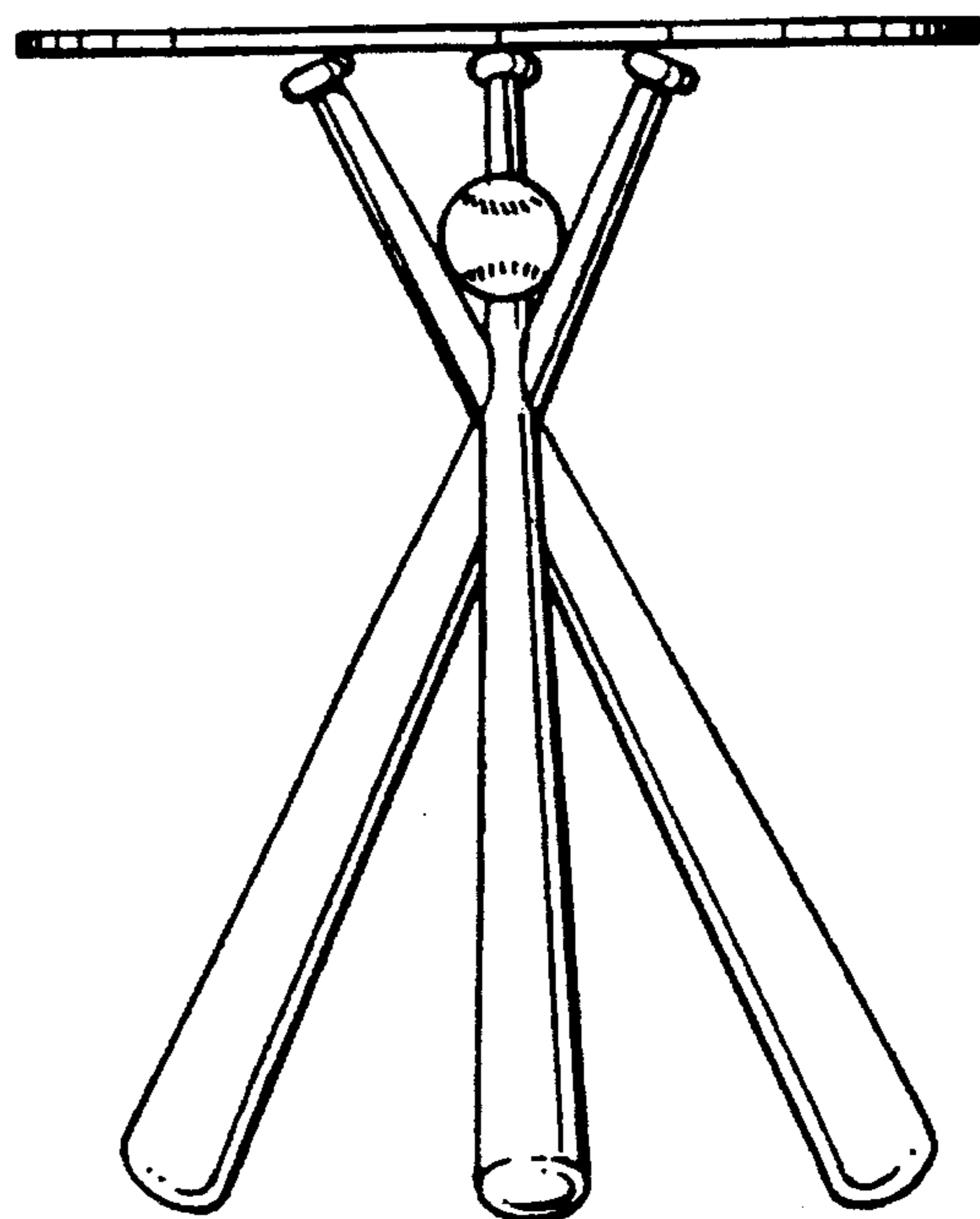


FIG. 3

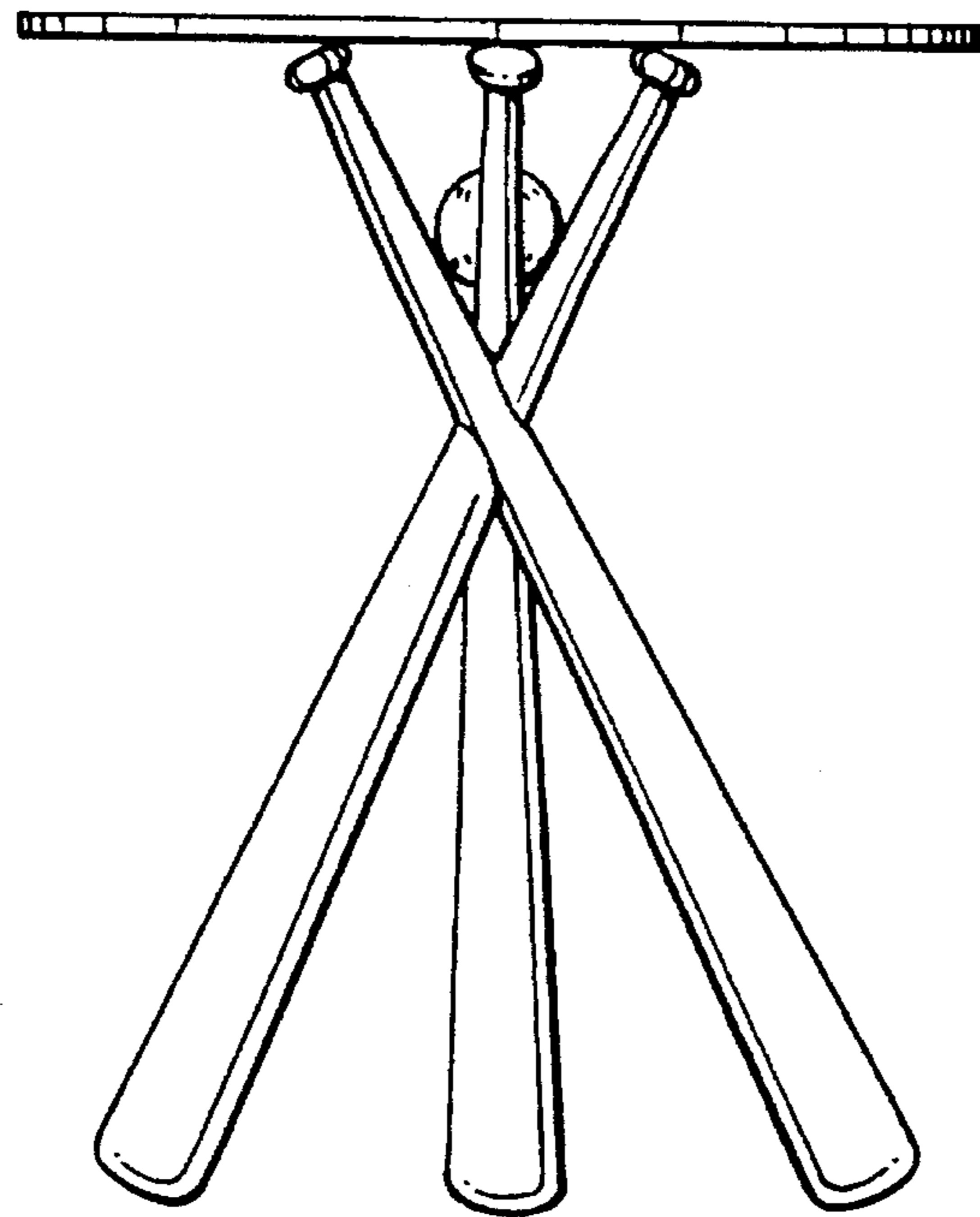


FIG. 4

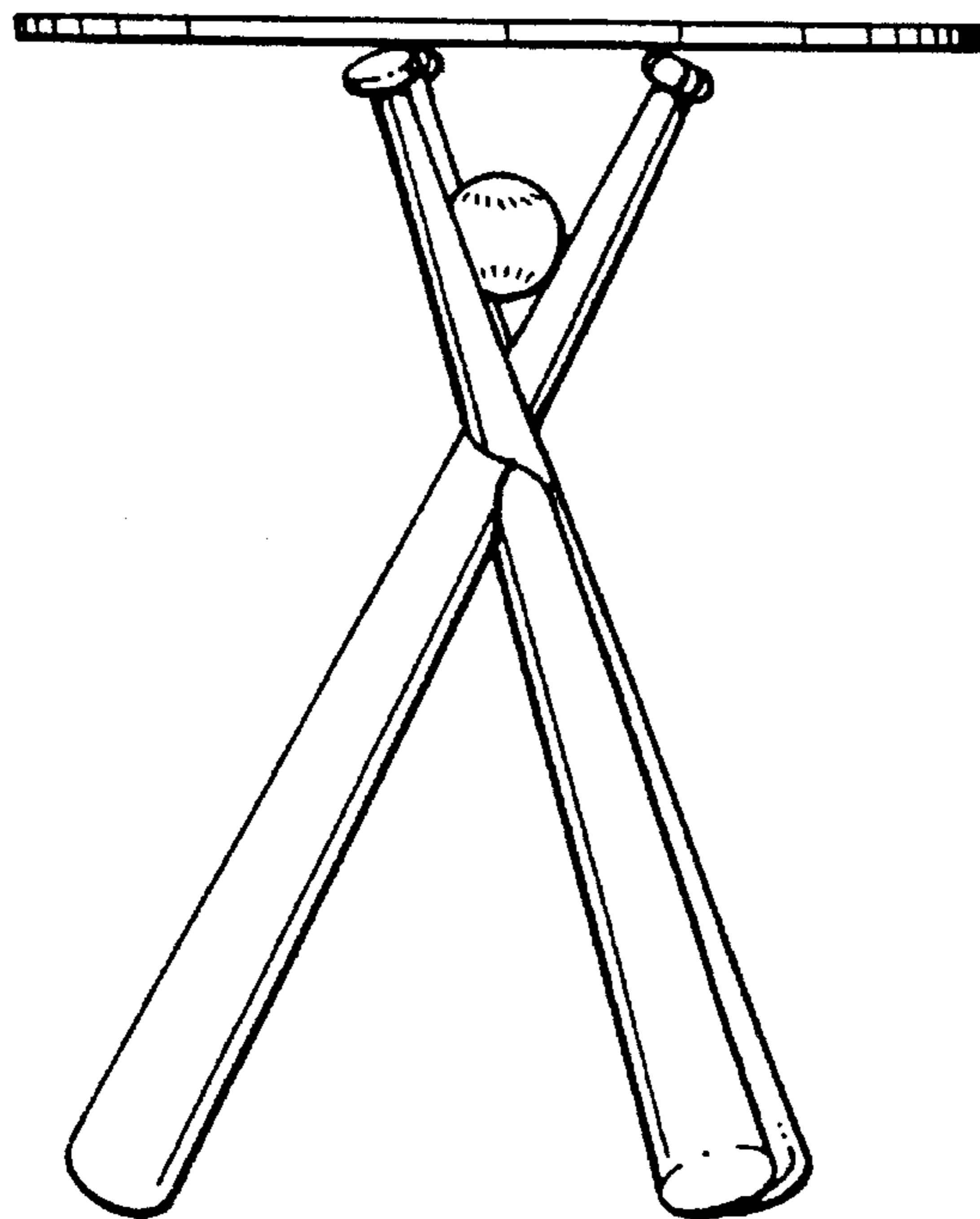


FIG. 5

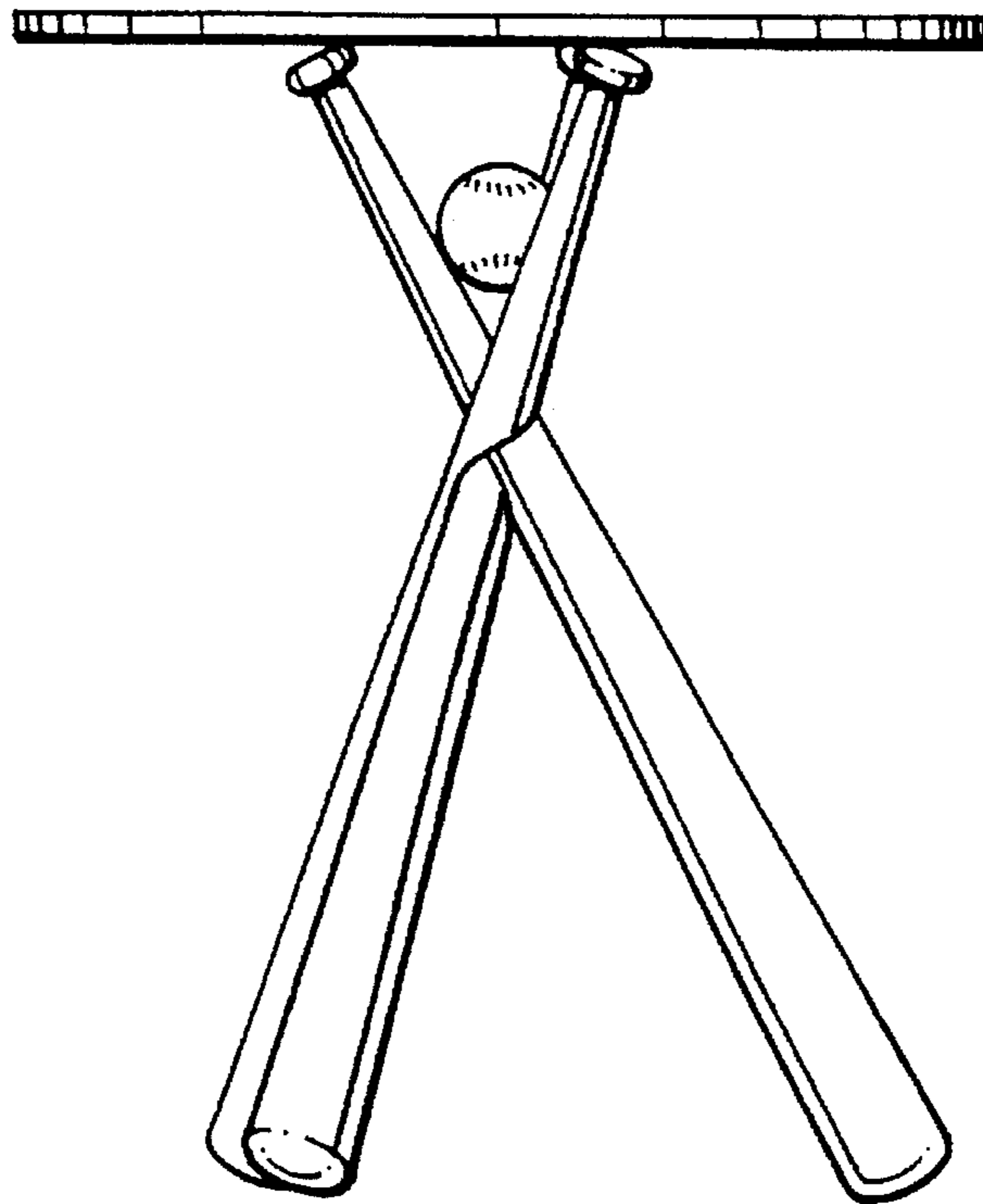


FIG. 6

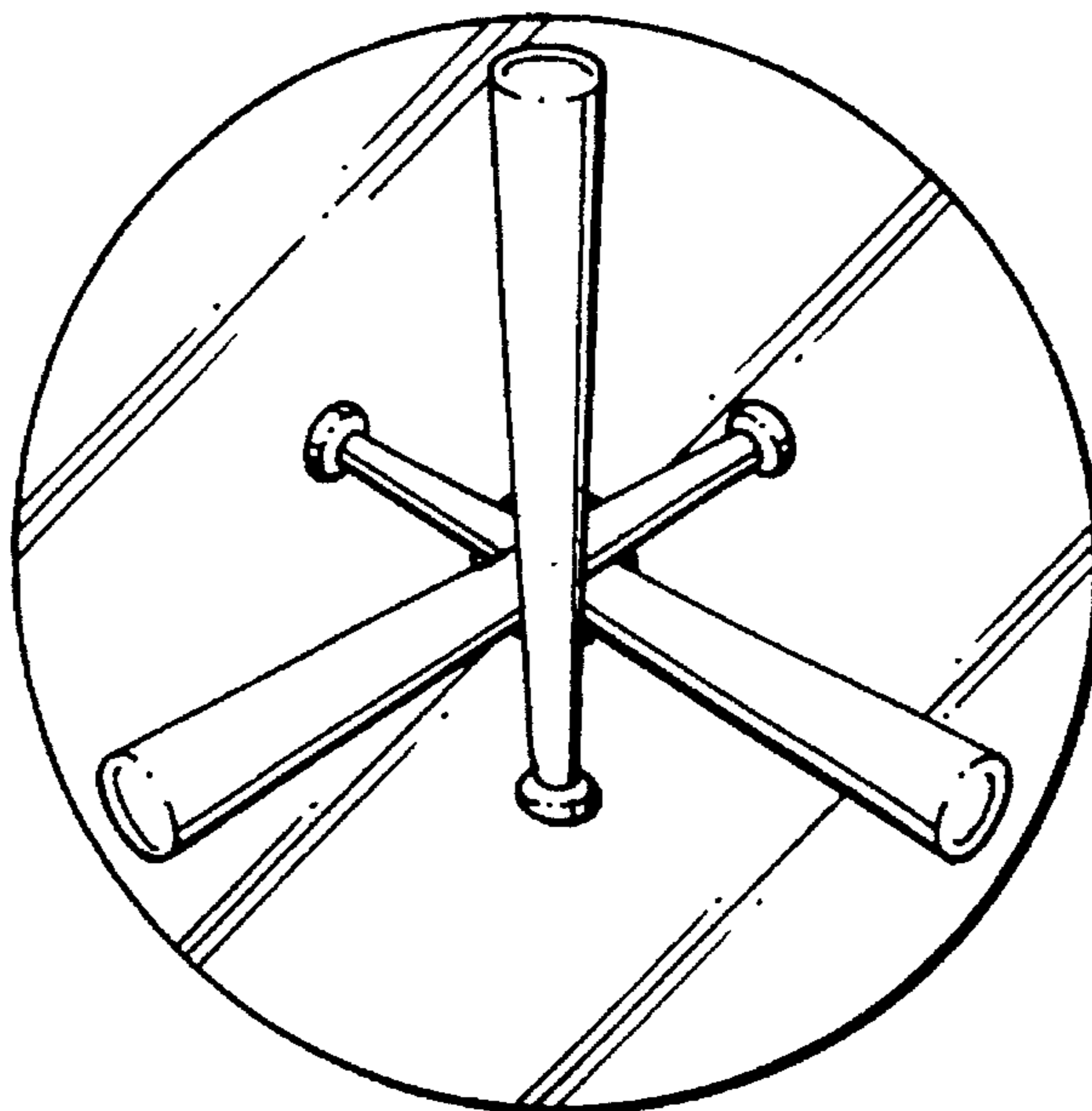


FIG. 7