



US00D373261S

United States Patent [19]

[11] Patent Number: **Des. 373,261**

Hager et al.

[45] Date of Patent: ****Sep. 3, 1996**

[54] **ROTATING COMPACT DISC HOLDER**

5,301,819	4/1994	Moeken	211/40
5,341,943	8/1994	Fraser	211/40
5,385,397	1/1995	Chow	312/9.45

[76] Inventors: **Vike F. Hager; Aaron V. Hager**, both of 4242 NE. 107th St., Seattle, Wash. 98125

Primary Examiner—James M. Gandy
Assistant Examiner—S. Snapp
Attorney, Agent, or Firm—Richard C. Litman

[**] Term: **14 Years**

[21] Appl. No.: **41,582**

[57] **CLAIM**

[22] Filed: **Jul. 18, 1995**

The ornamental design for a rotating compact disc holder, as shown and described.

[52] U.S. Cl. **D6/407**

DESCRIPTION

[58] **Field of Search** D6/407, 626-635, D6/449, 450; 211/40, 41, 42, 168, 169; 312/9.1, 9.11, 9.17, 9.18, 9.16; 206/307, 387.14, 387.15

FIG. 1 is a perspective view of a rotating compact disc holder showing a first embodiment of our new design; FIG. 2 is a front elevational view thereof; FIG. 3 is a rear elevational view thereof; FIG. 4 is a top plan view thereof; FIG. 5 is a right side elevational view, with the left side being a mirror image thereof; FIG. 6 is a perspective view of a rotating compact disc holder showing a second embodiment of our new design; FIG. 7 is a front elevational view thereof; FIG. 8 is a rear elevational view thereof; FIG. 9 is a top plan view thereof; and, FIG. 10 is a right side elevational view, with the left side being a mirror image thereof.

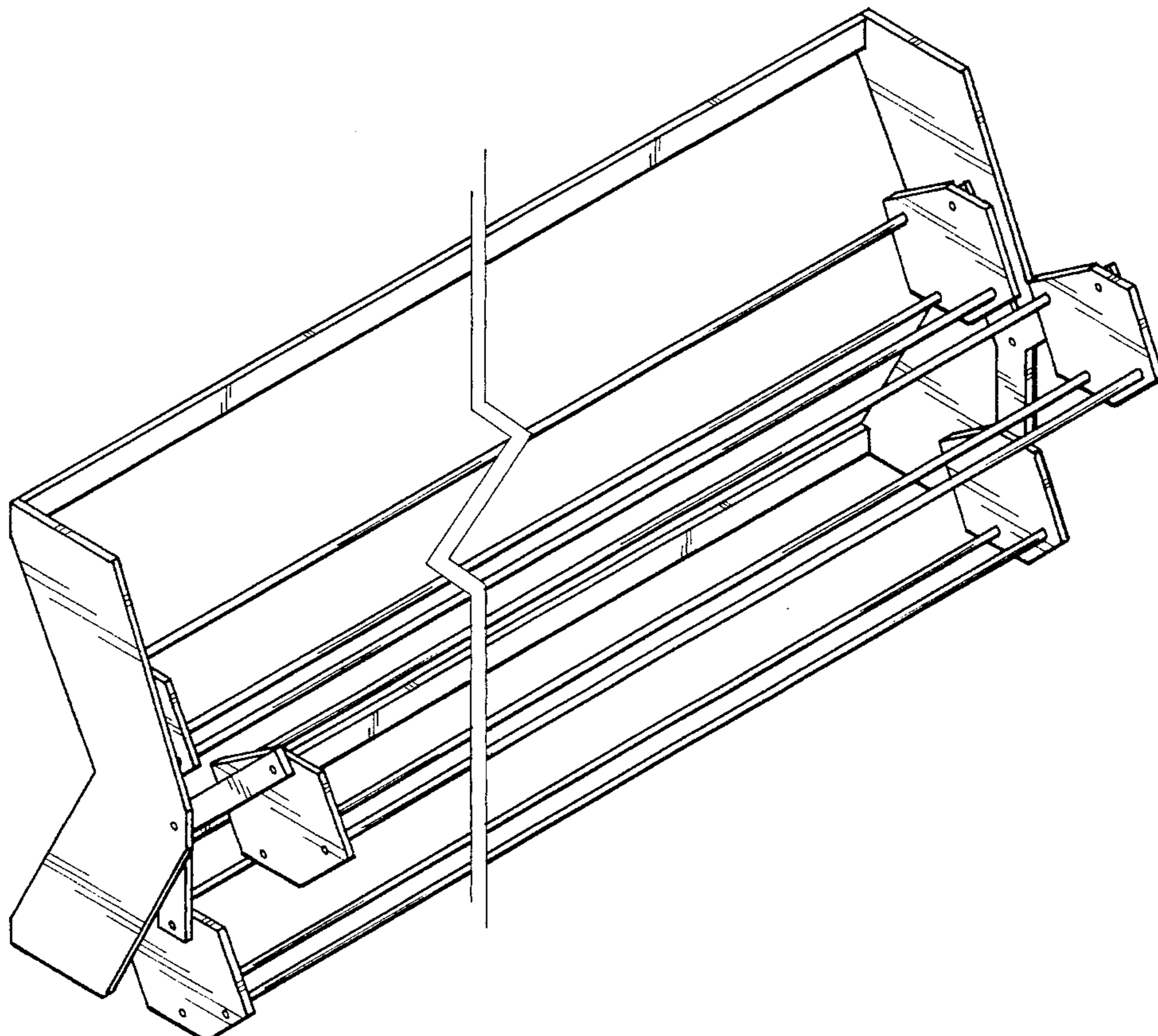
[56] **References Cited**

U.S. PATENT DOCUMENTS

D. 134,674	12/1942	Botham	D6/450 X
D. 218,175	7/1970	Lindley	D6/450
D. 279,045	6/1985	Hall	D6/407
D. 285,881	9/1986	Mt. Pleasant et al.	D6/407 X
D. 285,882	9/1986	Mt. Pleasant et al.	D6/407 X
D. 321,607	11/1991	Sheung	D6/407
D. 323,931	2/1992	Haynes	D3/35
D. 338,570	8/1993	Koeppl	D6/407
D. 348,366	7/1994	Stravitz	D6/476
D. 351,513	10/1994	Kreppein	D6/407
4,867,306	9/1989	Factor	206/309
5,035,332	7/1991	Stravitz	211/40
5,178,284	1/1993	Wojewoda	211/40
5,253,767	10/1993	Koeppl	211/40

The undisclosed bottom is plain and unornamented. The broken lines in FIGS. 1-4 and 6-9 indicate indefinite length.

1 Claim, 6 Drawing Sheets



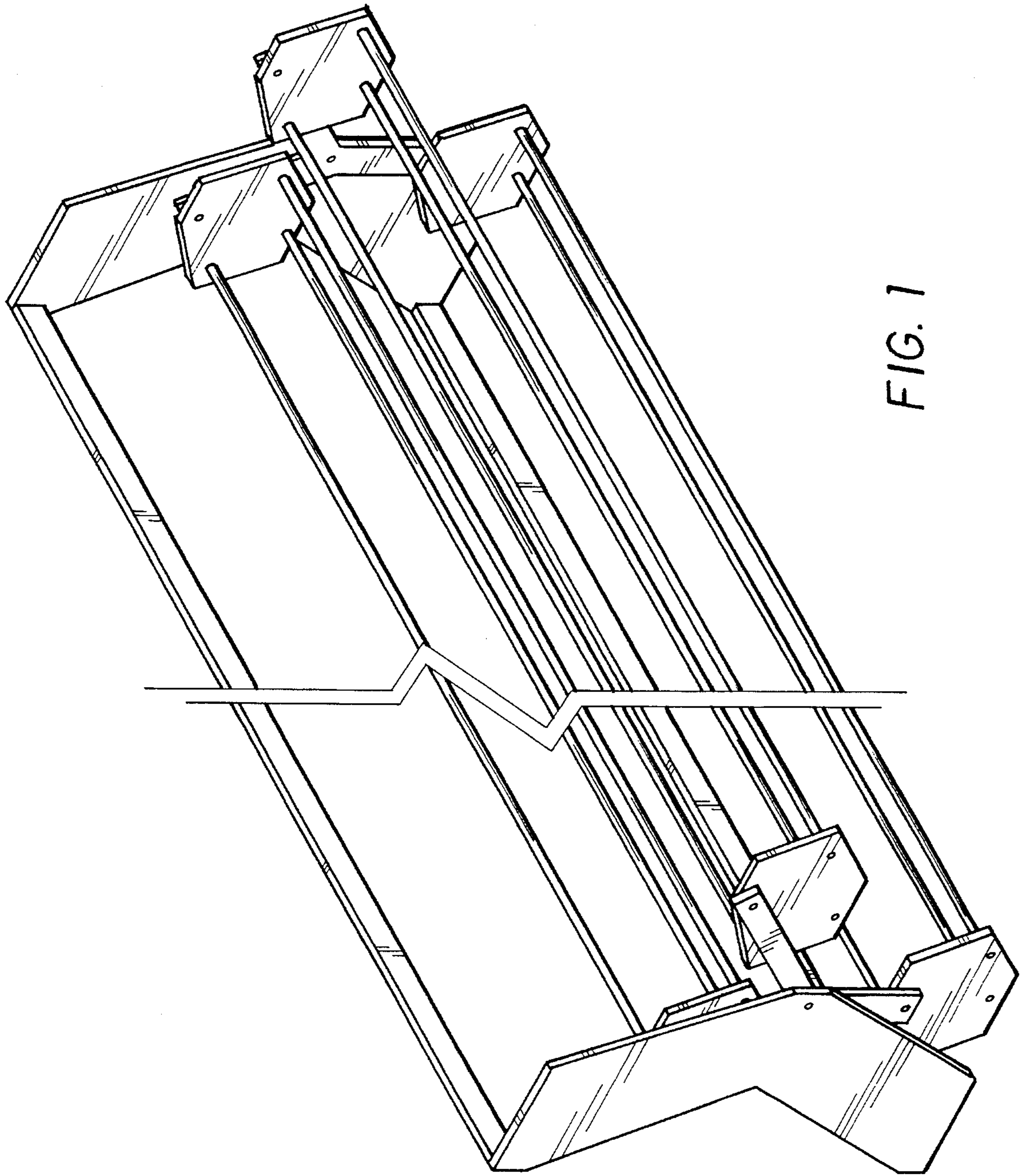


FIG. 1

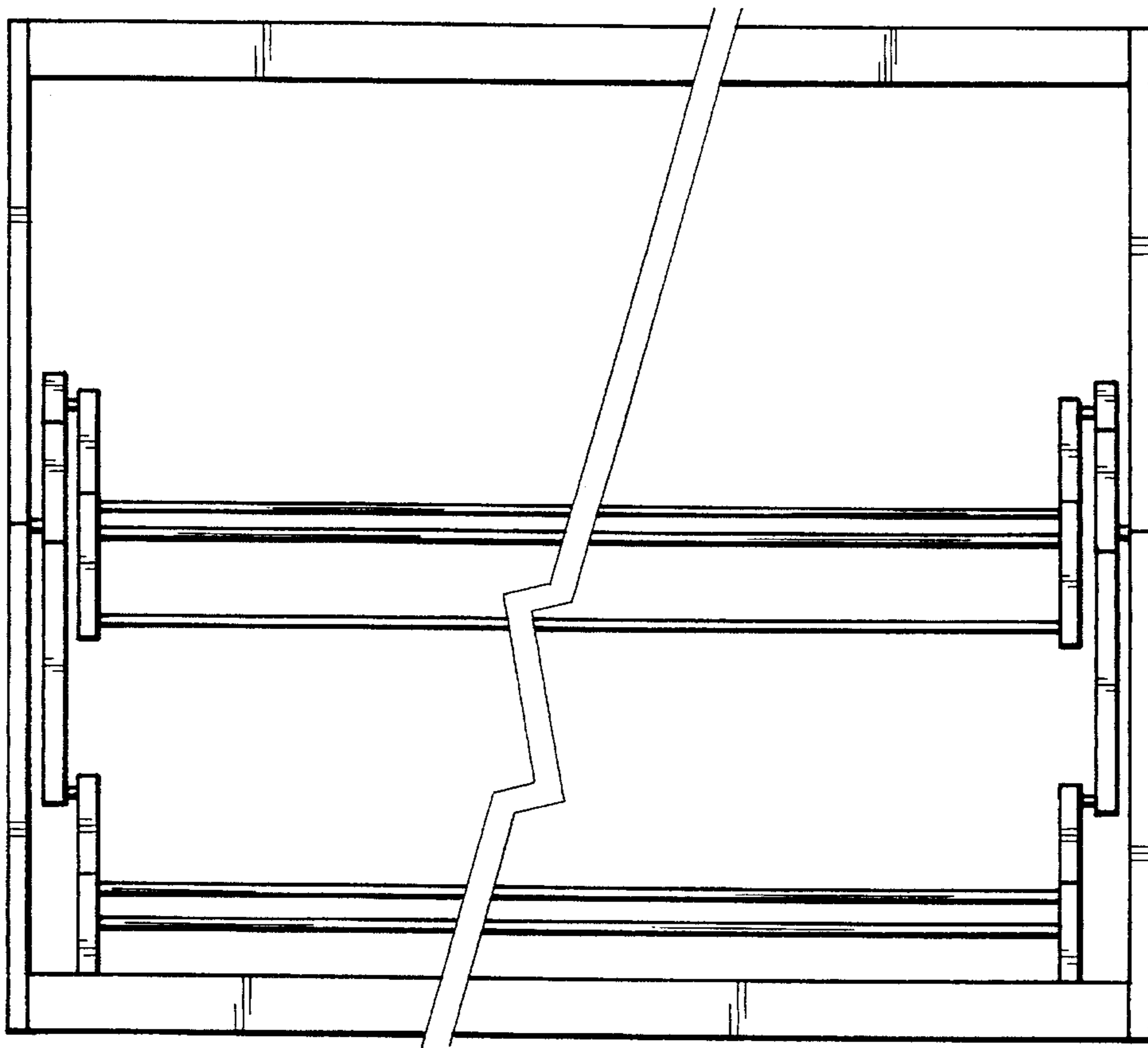


FIG. 3

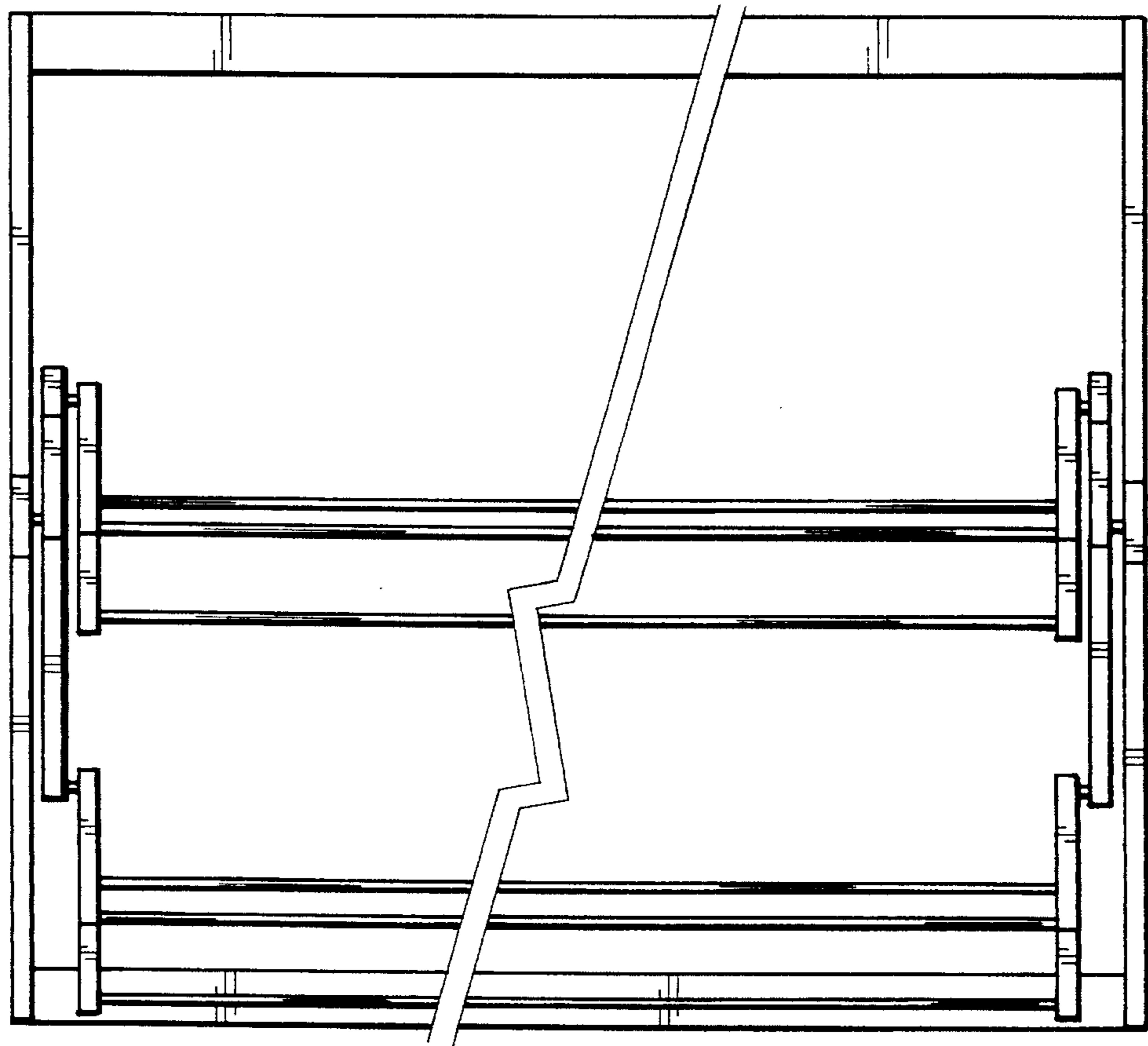


FIG. 2

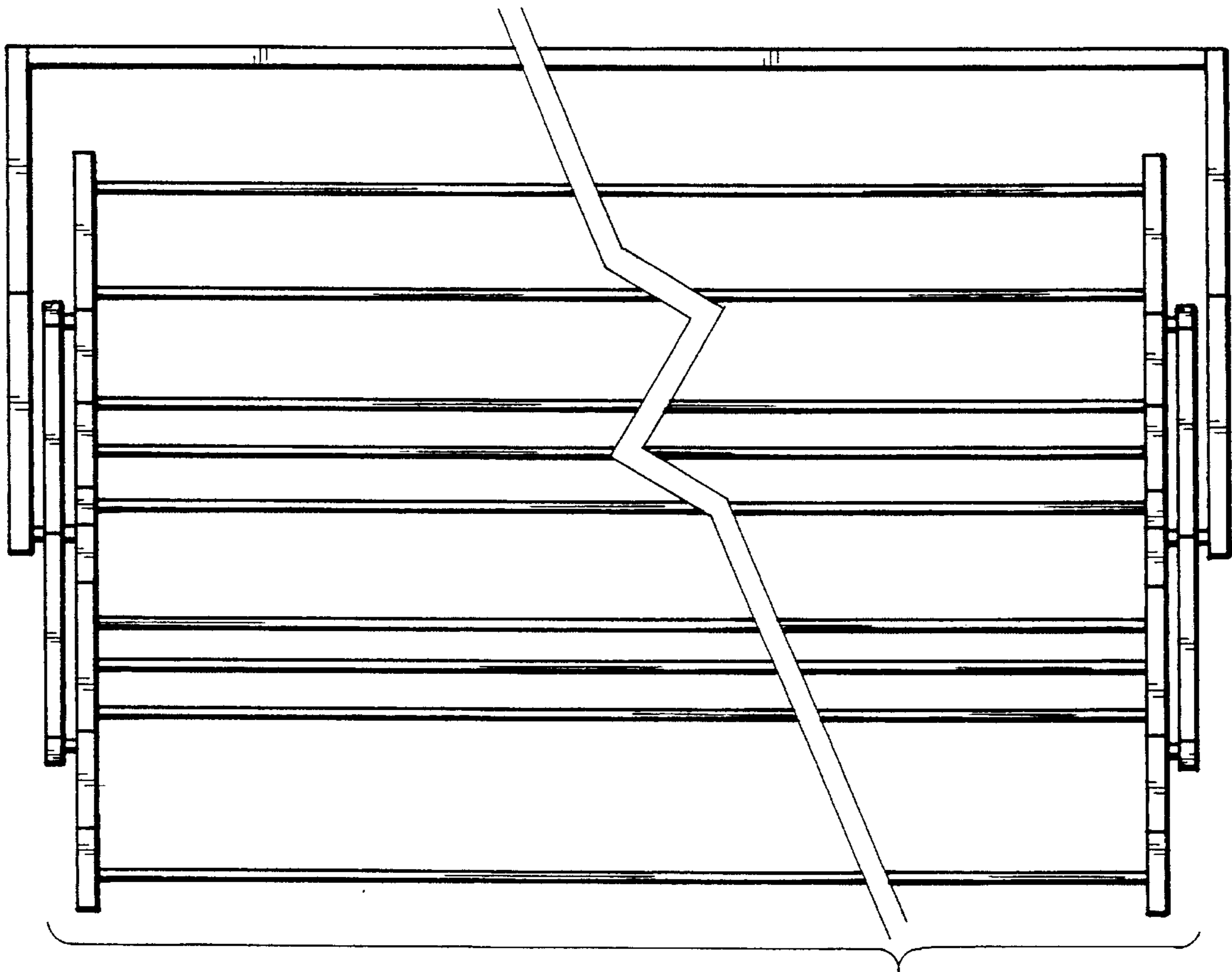


FIG. 4

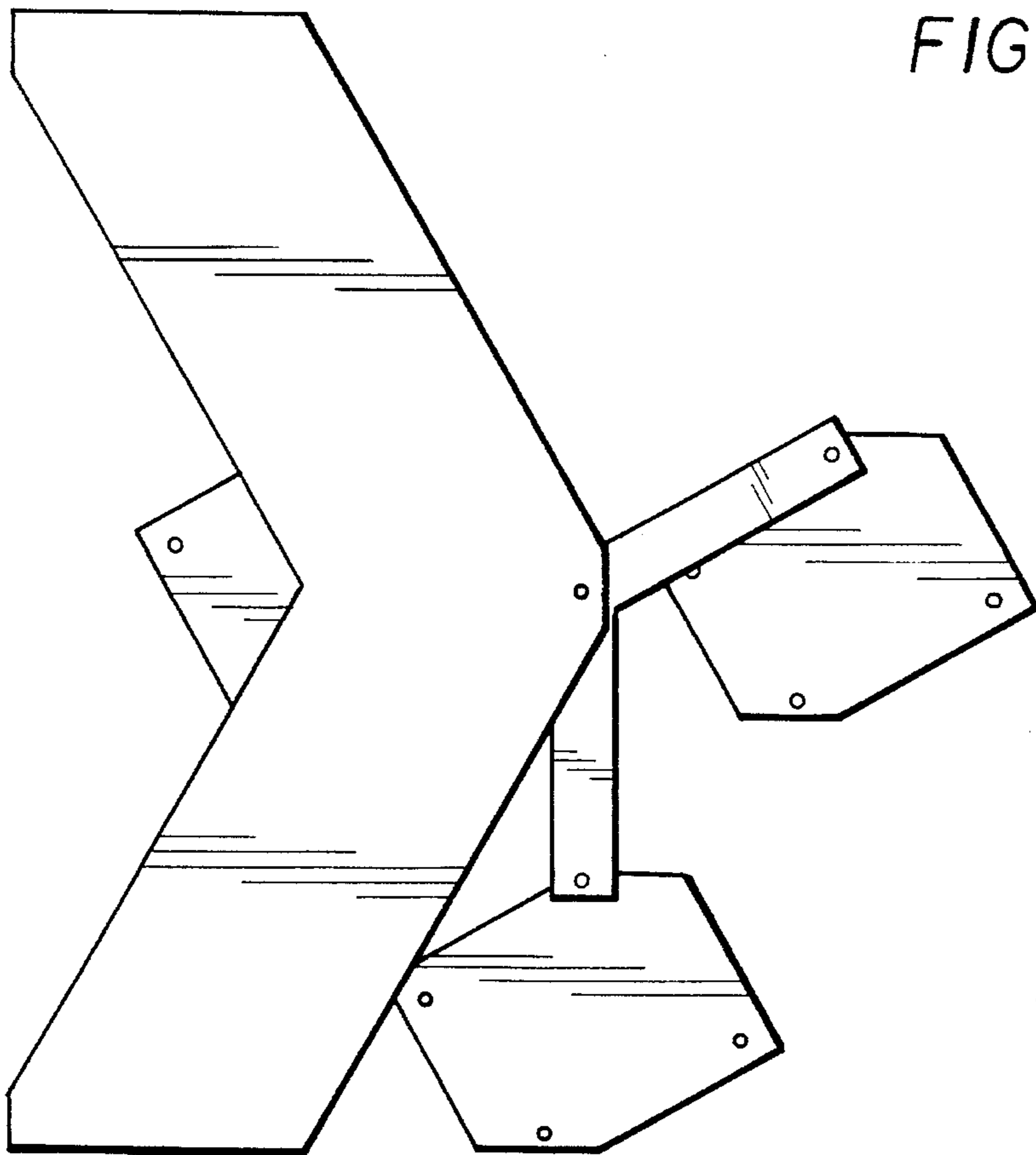


FIG. 5

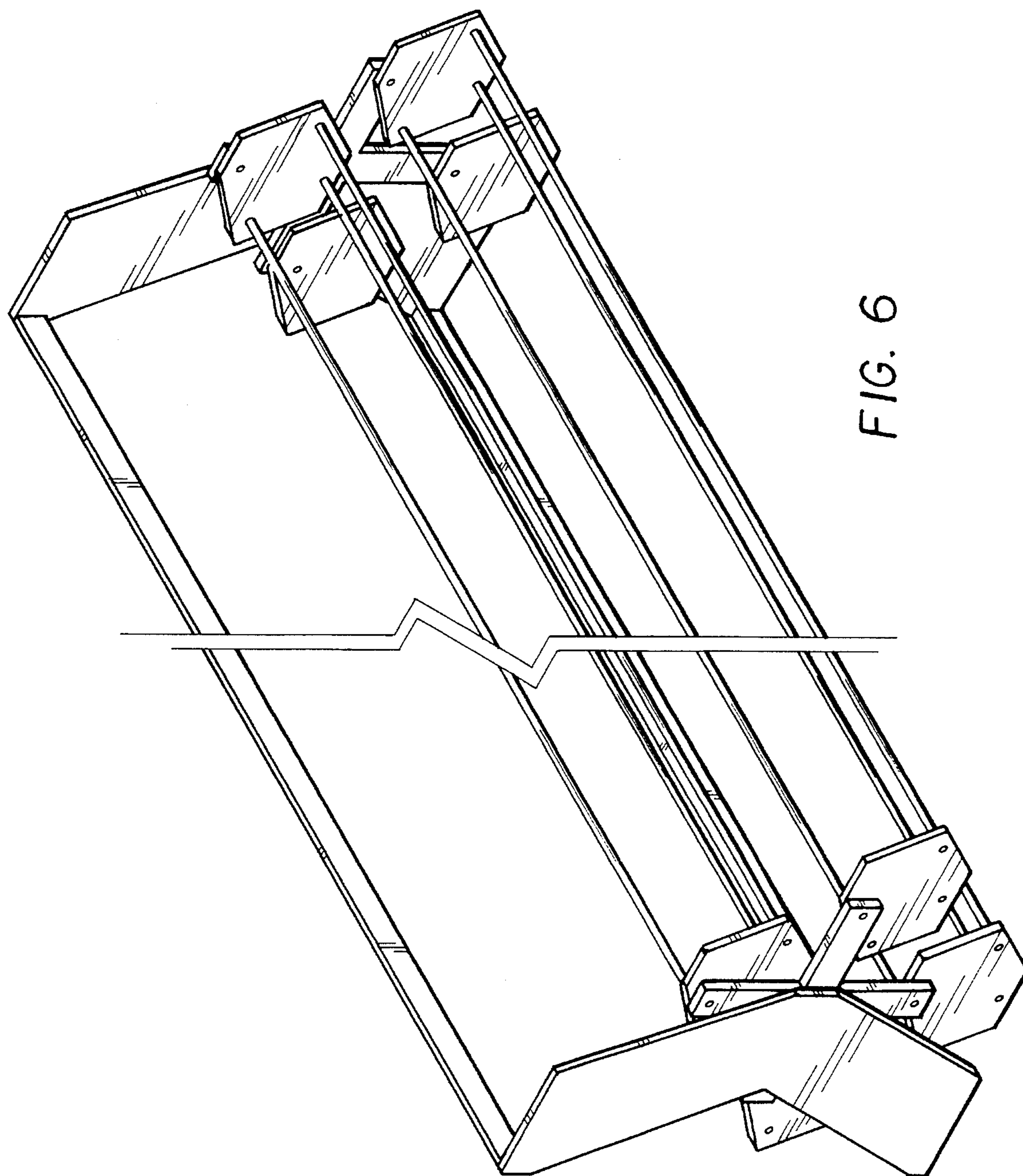


FIG. 6

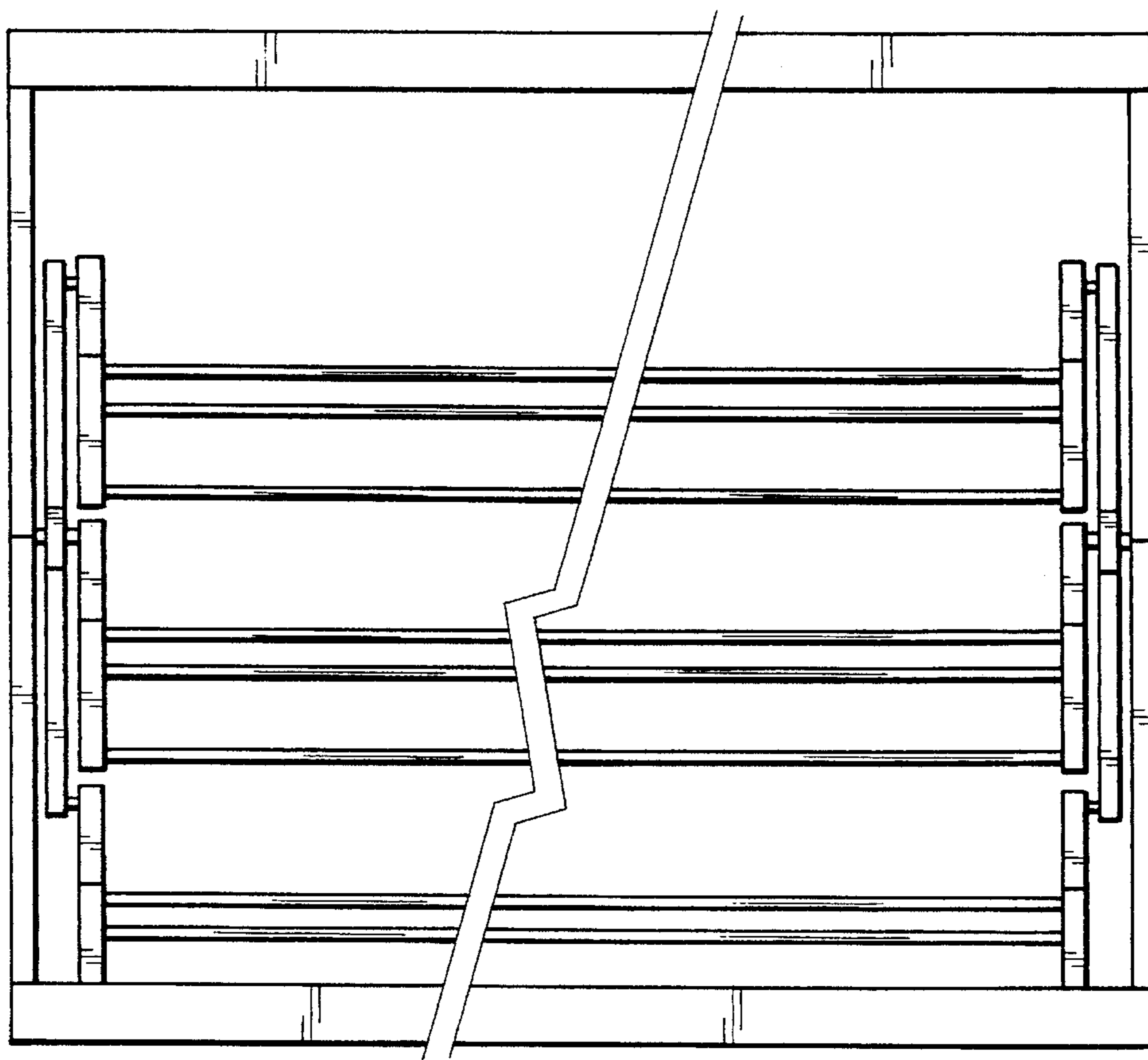


FIG. 8

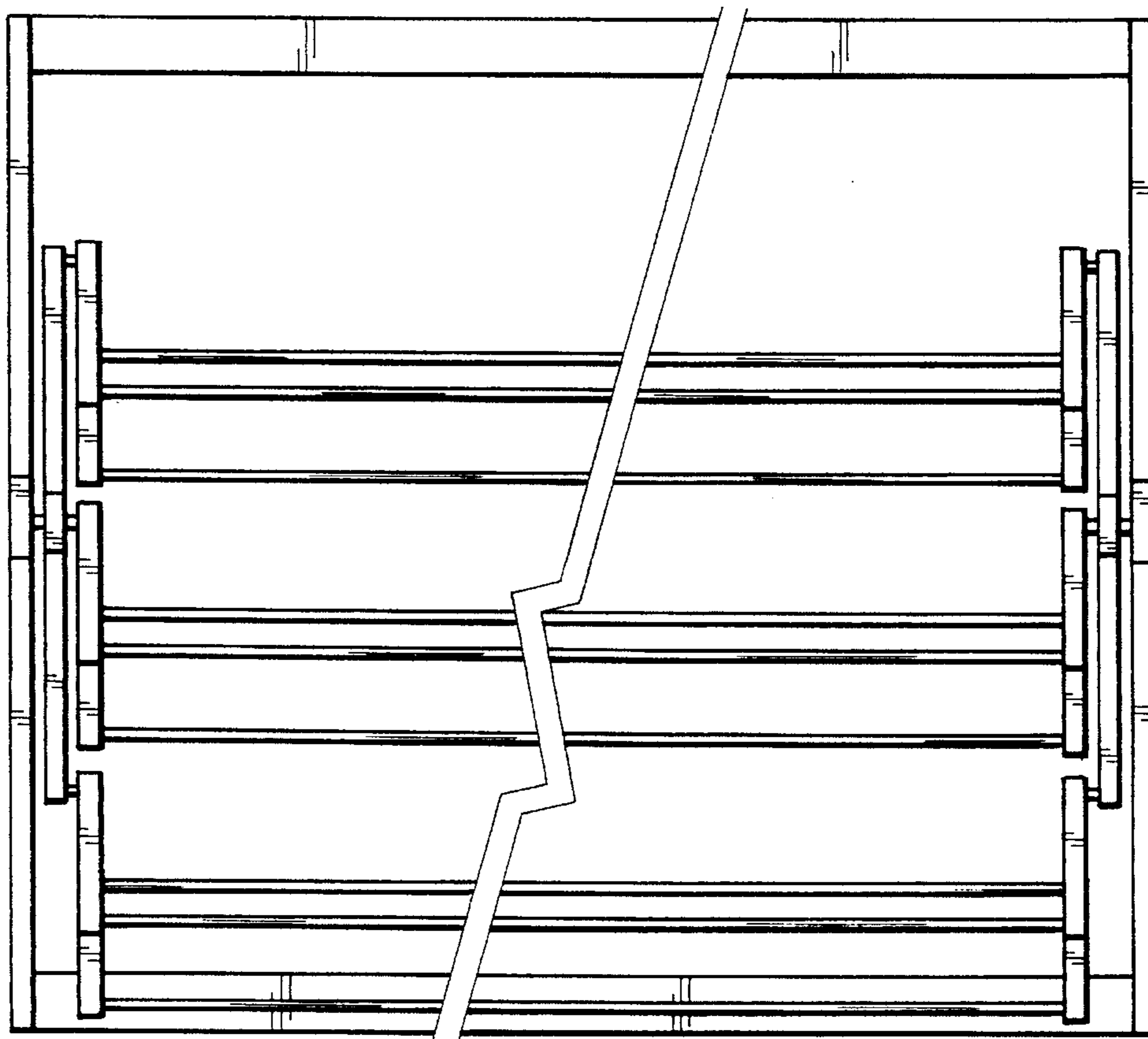


FIG. 7

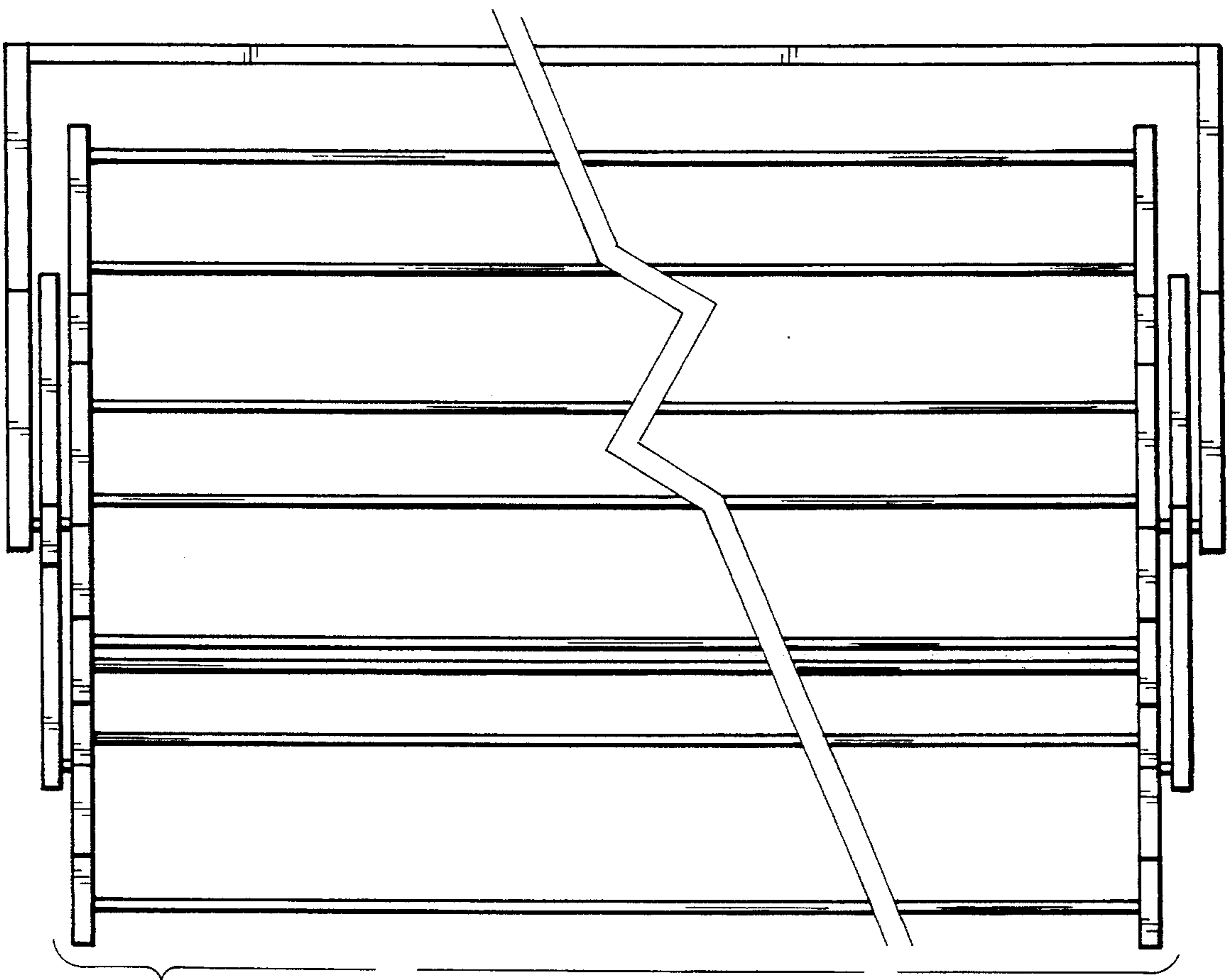


FIG. 9

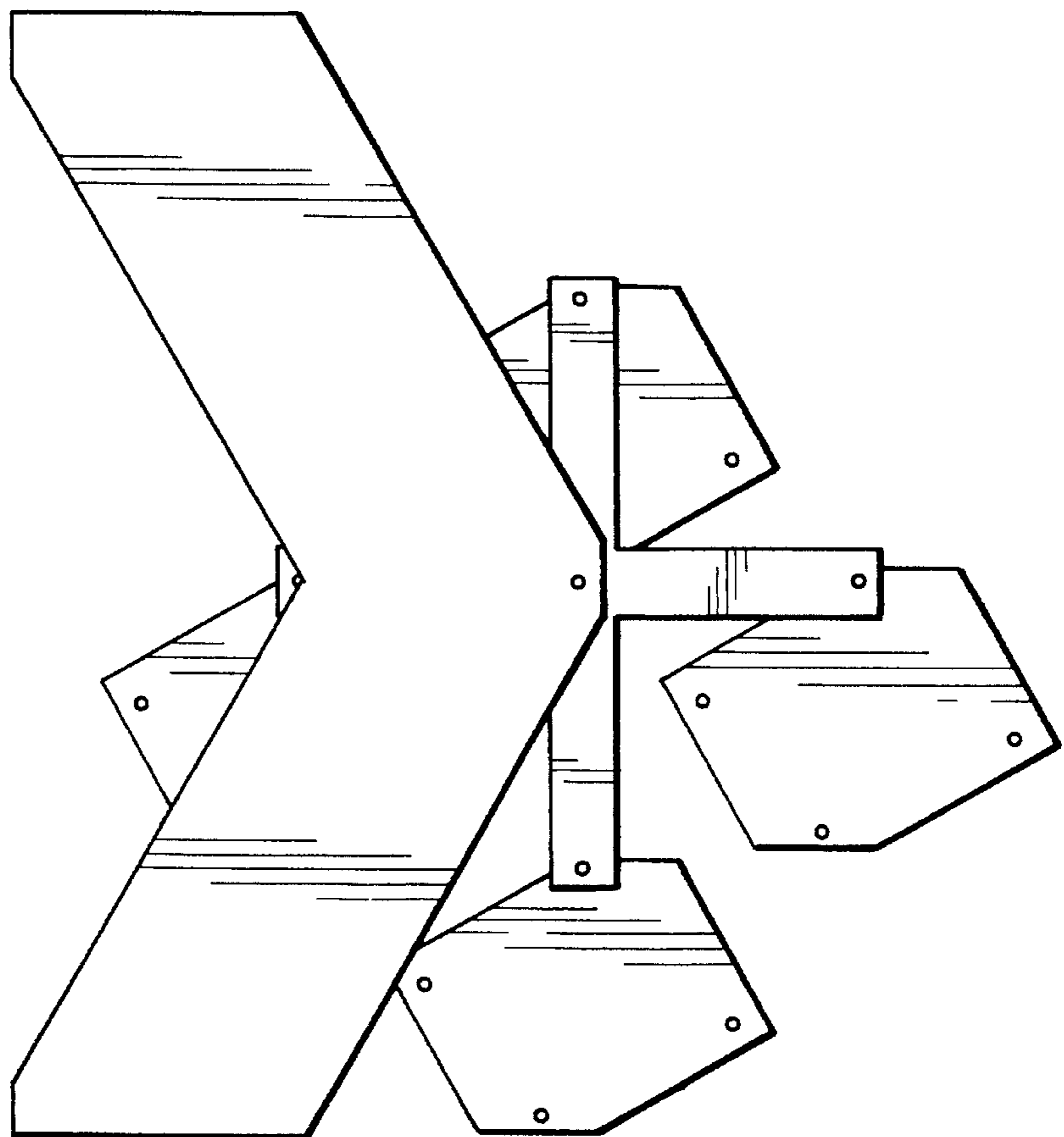


FIG. 10