



US00D373260S

# United States Patent [19]

James

[11] Patent Number: **Des. 373,260**

[45] Date of Patent: **\*\*Sep. 3, 1996**

[54] **BED**

[75] Inventor: **William A. James**, Newport Beach, Calif.

[73] Assignee: **Universal Furniture Industries, Inc.**, High Point, N.C.

[\*\*] Term: **14 Years**

[21] Appl. No.: **37,136**

[22] Filed: **Apr. 4, 1995**

[52] U.S. Cl. .... **D6/393; D6/388**

[58] Field of Search ..... **D6/382, 383, 387-395, D6/505-508; 5/53.1, 279.1, 280, 281, 907**

[56] **References Cited**

**U.S. PATENT DOCUMENTS**

D. 26,597	2/1897	Scott .....	D6/393
D. 83,878	4/1931	Rocic .....	D6/388
D. 93,440	10/1934	Geddes et al. ....	D6/507
D. 343,735	2/1994	Ferguson .....	D6/393

**OTHER PUBLICATIONS**

Ethan Allen, c1992, p. 269, bed at bottom.  
Ethan Allen, c1992, p. 253, bed at bottom.  
Bloomingdales, p. 13, bed at top.

*Primary Examiner*—Janice E. Seeger  
*Attorney, Agent, or Firm*—Edgar A. Zarins; Malcolm L. Sutherland

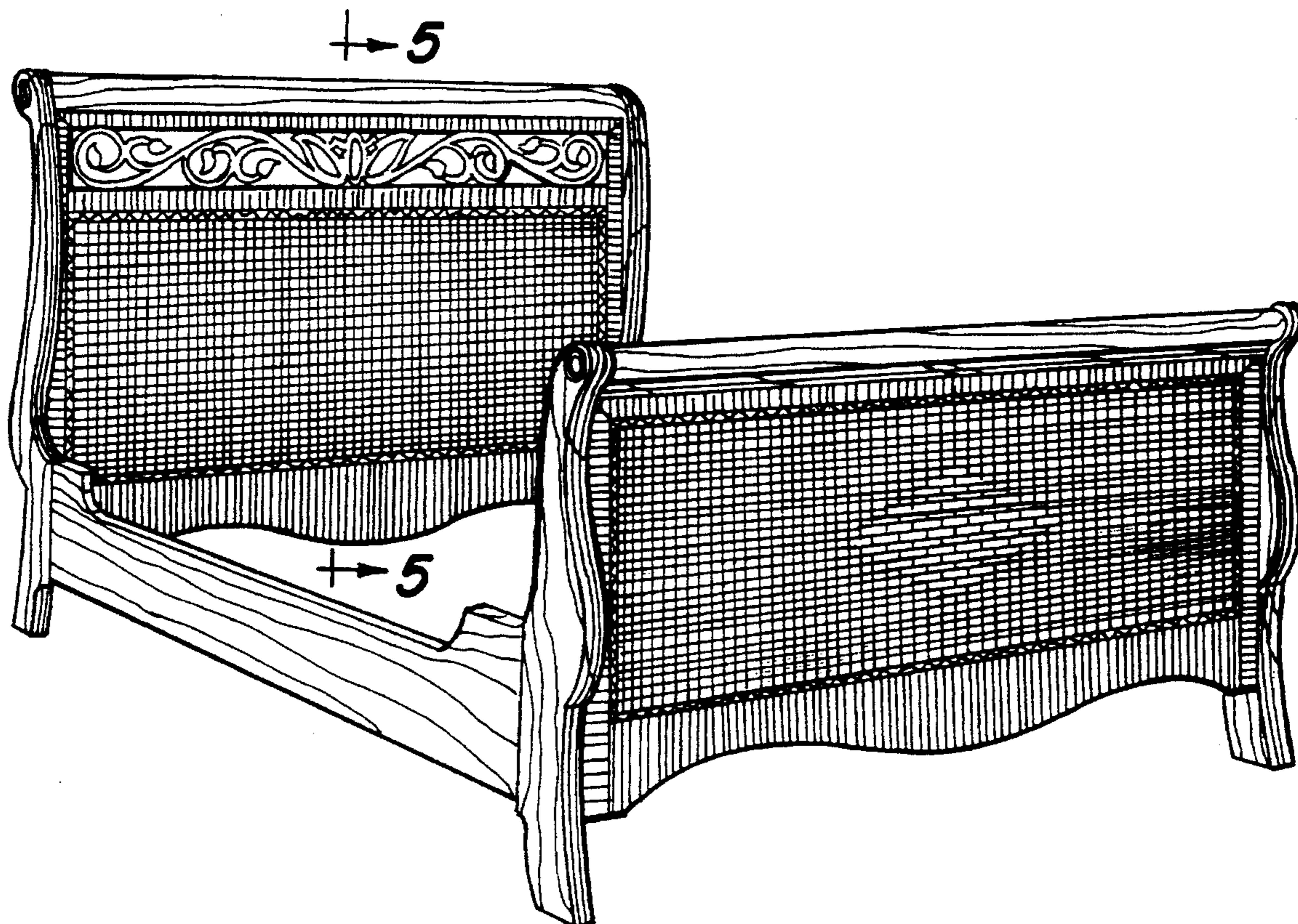
[57] **CLAIM**

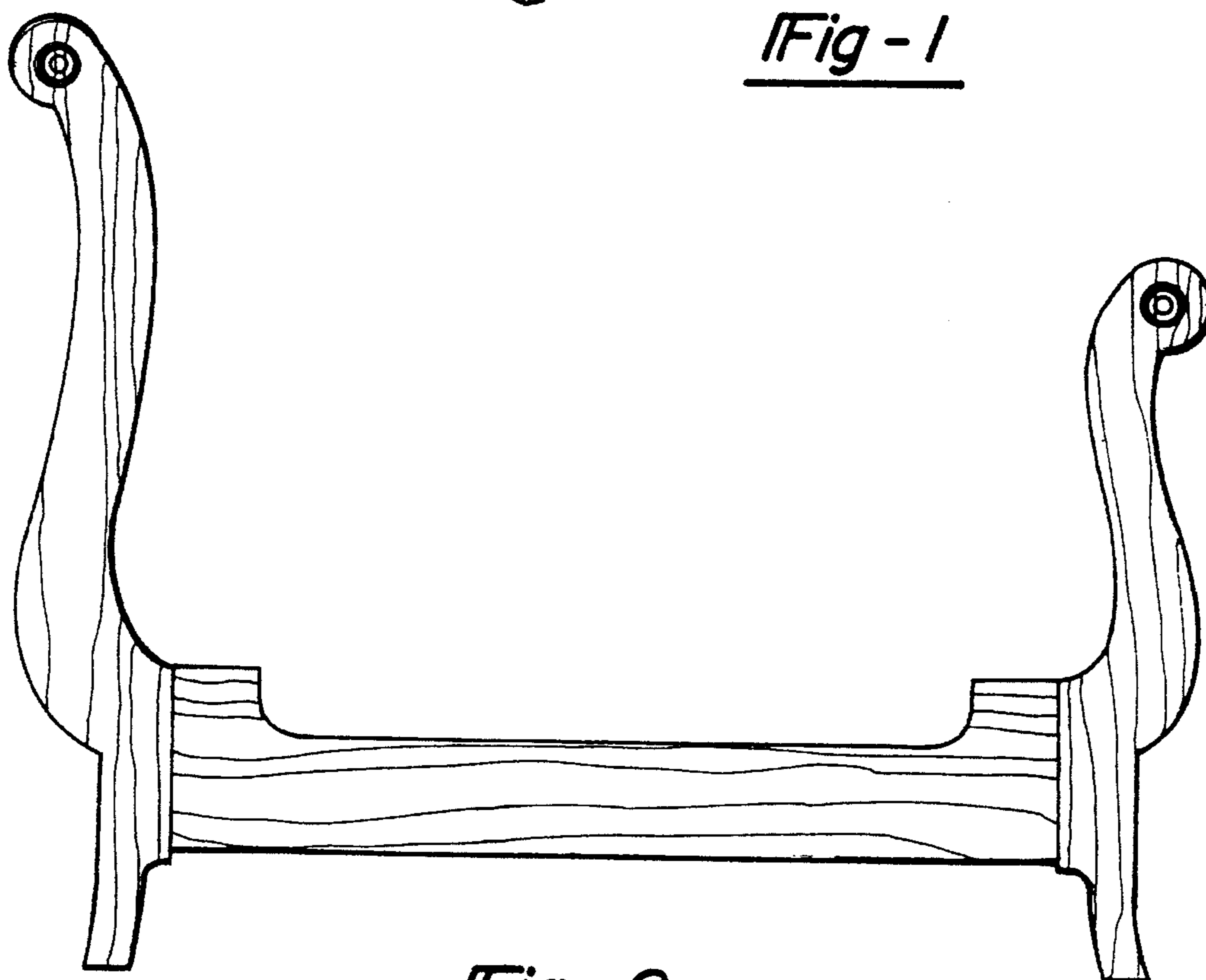
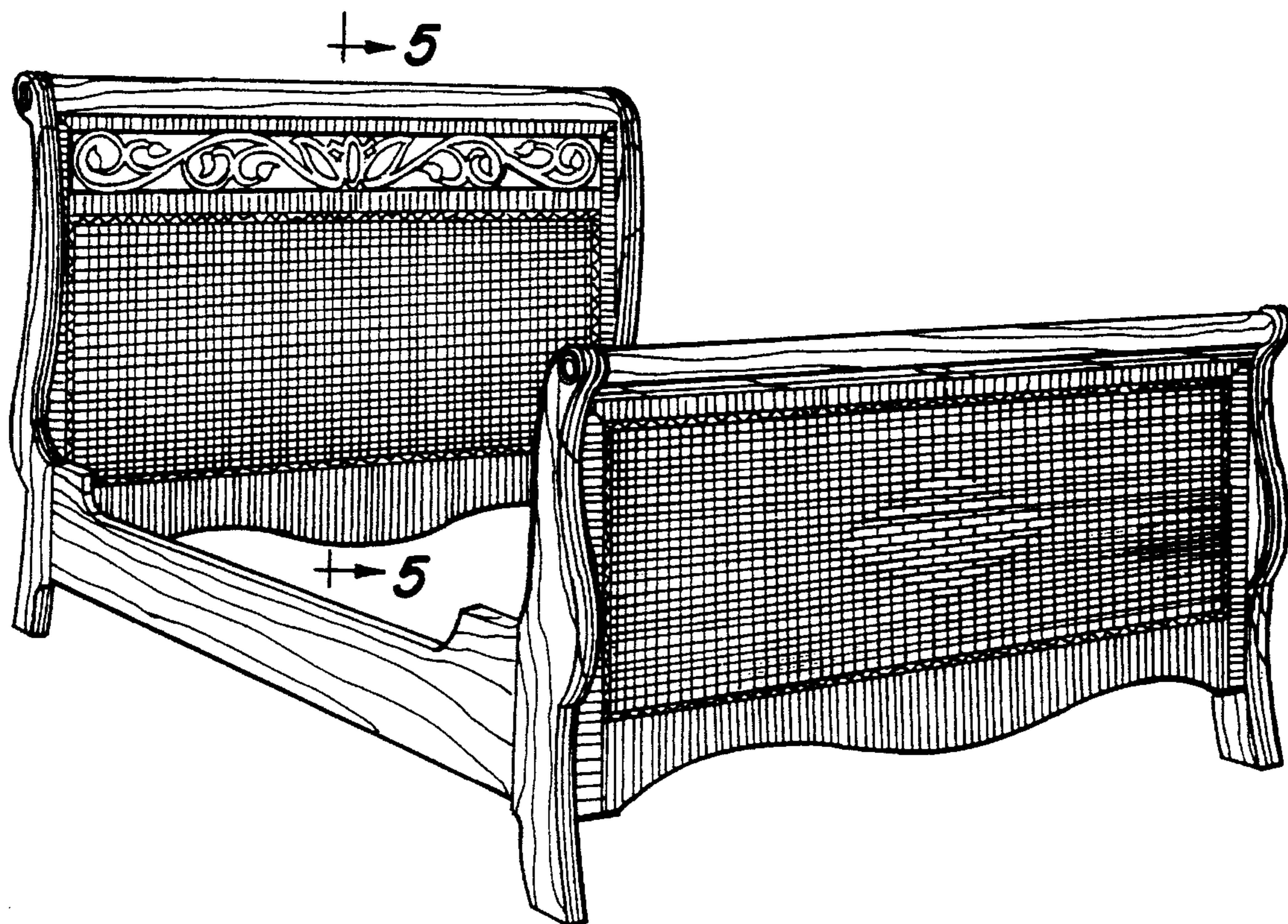
The ornamental design for a bed, as shown and described.

**DESCRIPTION**

FIG. 1 is a perspective view of a bed showing my new design;  
FIG. 2 is a side elevational view thereof;  
FIG. 3 is a front elevational view thereof;  
FIG. 4 is a rear perspective view thereof; and,  
FIG. 5 is a cross-sectional view taken along lines 5—5 of FIG. 3.

**1 Claim, 3 Drawing Sheets**





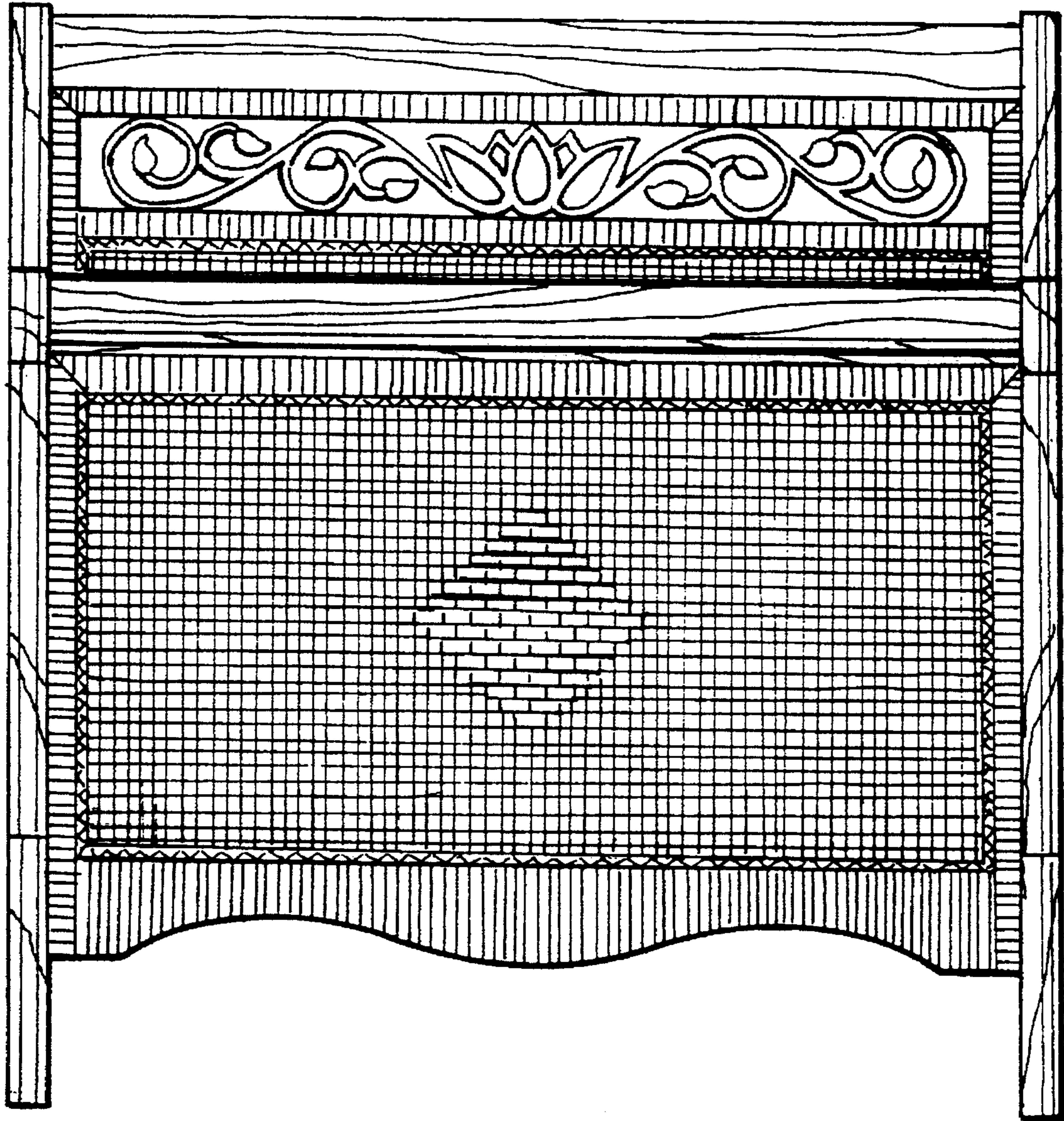


Fig - 3

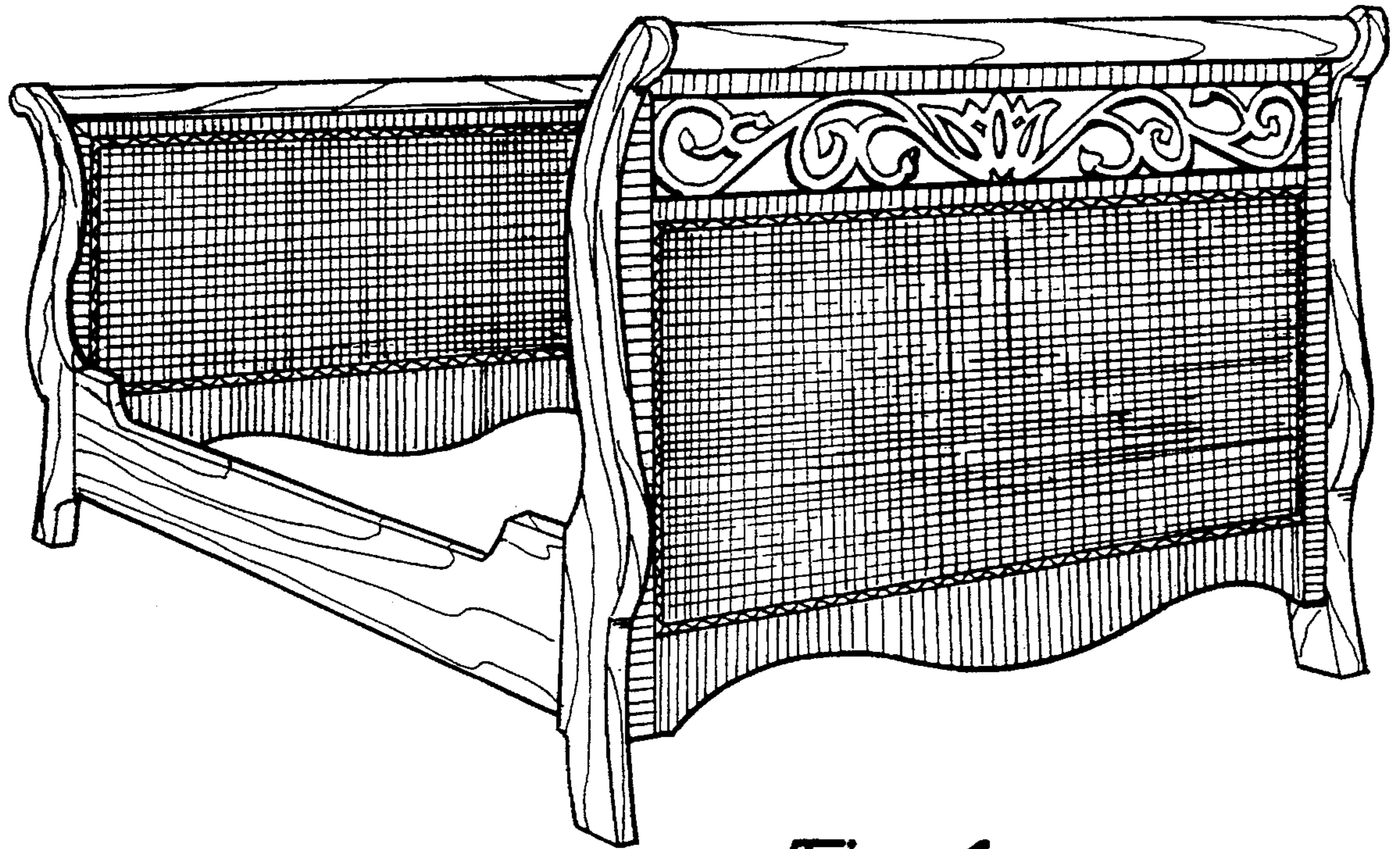


Fig - 4

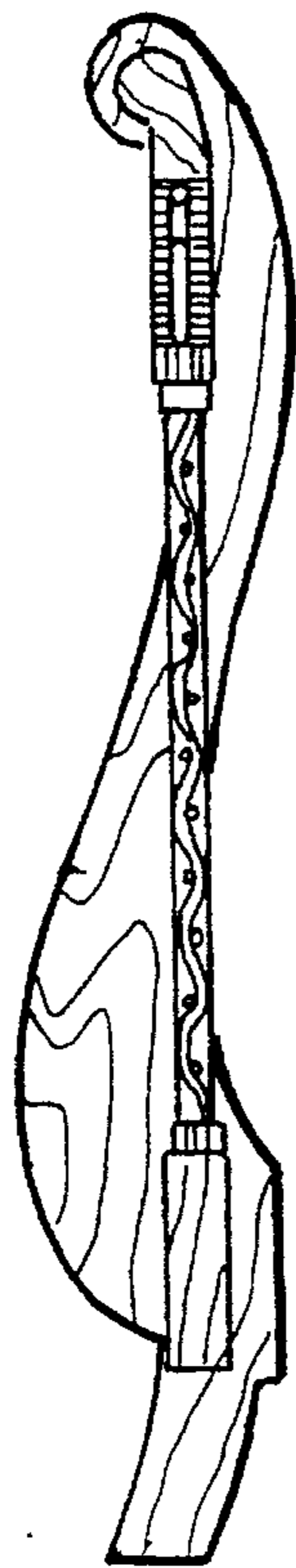


Fig - 5