



US00D373259S

United States Patent [19]

[11] Patent Number: **Des. 373,259**

Keller

[45] Date of Patent: ****Sep. 3, 1996**

[54] **HEADBOARD AND FOOTBOARD SET**

Primary Examiner—Janice E. Seeger

[75] Inventor: **H. Thomas Keller**, High Point, N.C.

Attorney, Agent, or Firm—Rhodes Coats & Bennett, L.L.P.

[73] Assignee: **Bernhardt Furniture Company**,
Lenoir, N.C.

[57] CLAIM

[**] Term: **14 Years**

The ornamental design for headboard and footboard set, as shown and described.

[21] Appl. No.: **28,362**

DESCRIPTION

[22] Filed: **Sep. 13, 1994**

[52] U.S. Cl. **D6/393**

[58] Field of Search D6/382, 383, 388,
D6/389-395, 505-508; 5/53.1, 279.1

FIG. 1 is a front perspective view of an headboard and footboard set showing my new design, the broken line showing is for illustrating environmental elements only and forms no part of the claimed design;

[56] References Cited

U.S. PATENT DOCUMENTS

D. 81,340	6/1930	Kindel	D6/393
D. 345,263	3/1994	Keller	D6/393
D. 345,659	4/1994	Ferguson	D6/393
D. 349,614	8/1994	Ferguson	D6/393

FIG. 2 is a cross-sectional view taken along line 2—2 in FIG. 1;

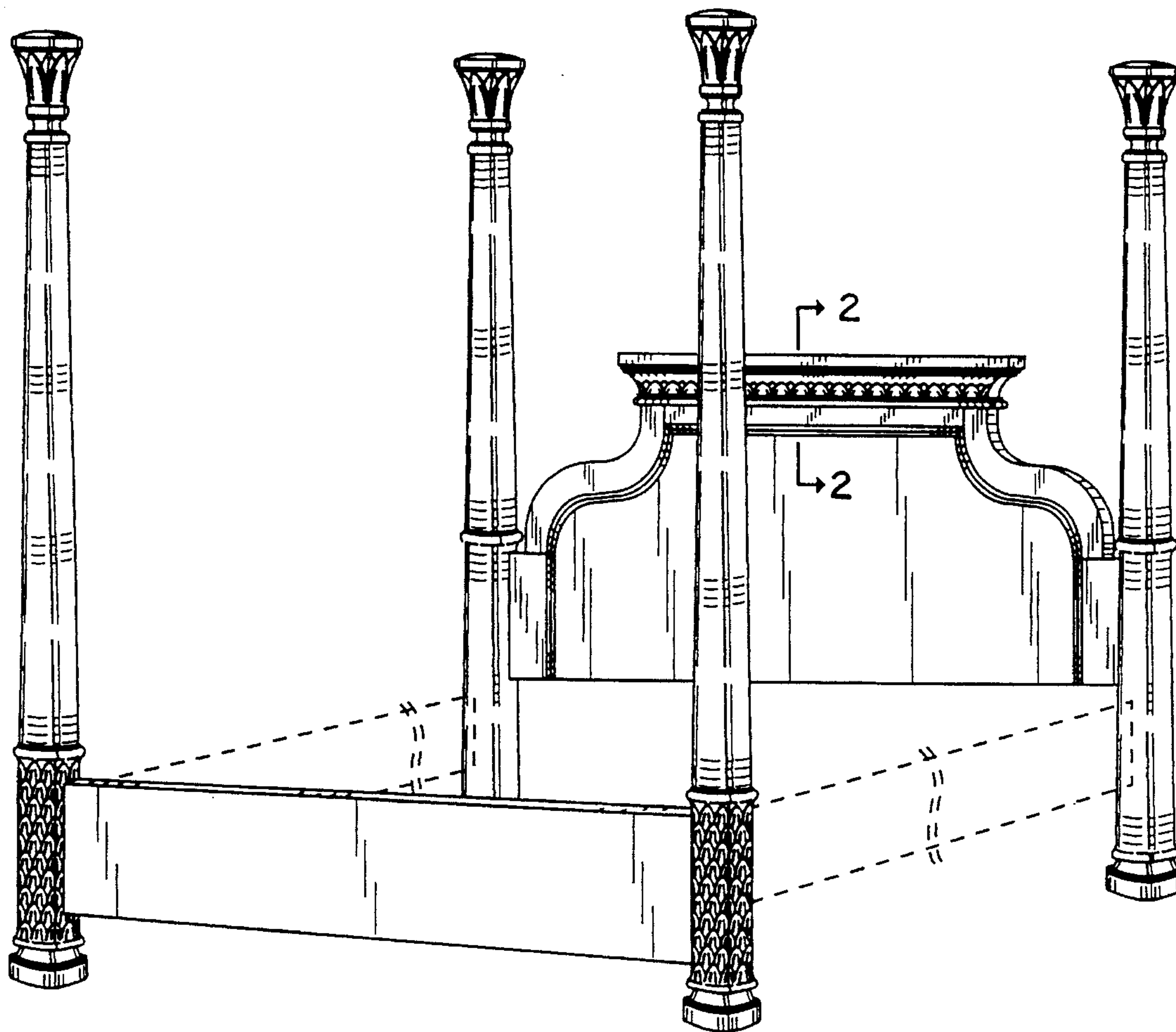
OTHER PUBLICATIONS

Furniture Today, Apr. 10, 1989, p. 117, bed at lower right.
Heritage, Grand Tour III, c1976, p. 9, canopy bed.
J. C. Penney, Spring/summer, p. 992, bed #A at top.

FIG. 3 is a side elevational view, the opposite side being a mirror image thereof; and,

FIG. 4 is a front elevational view thereof.

1 Claim, 4 Drawing Sheets



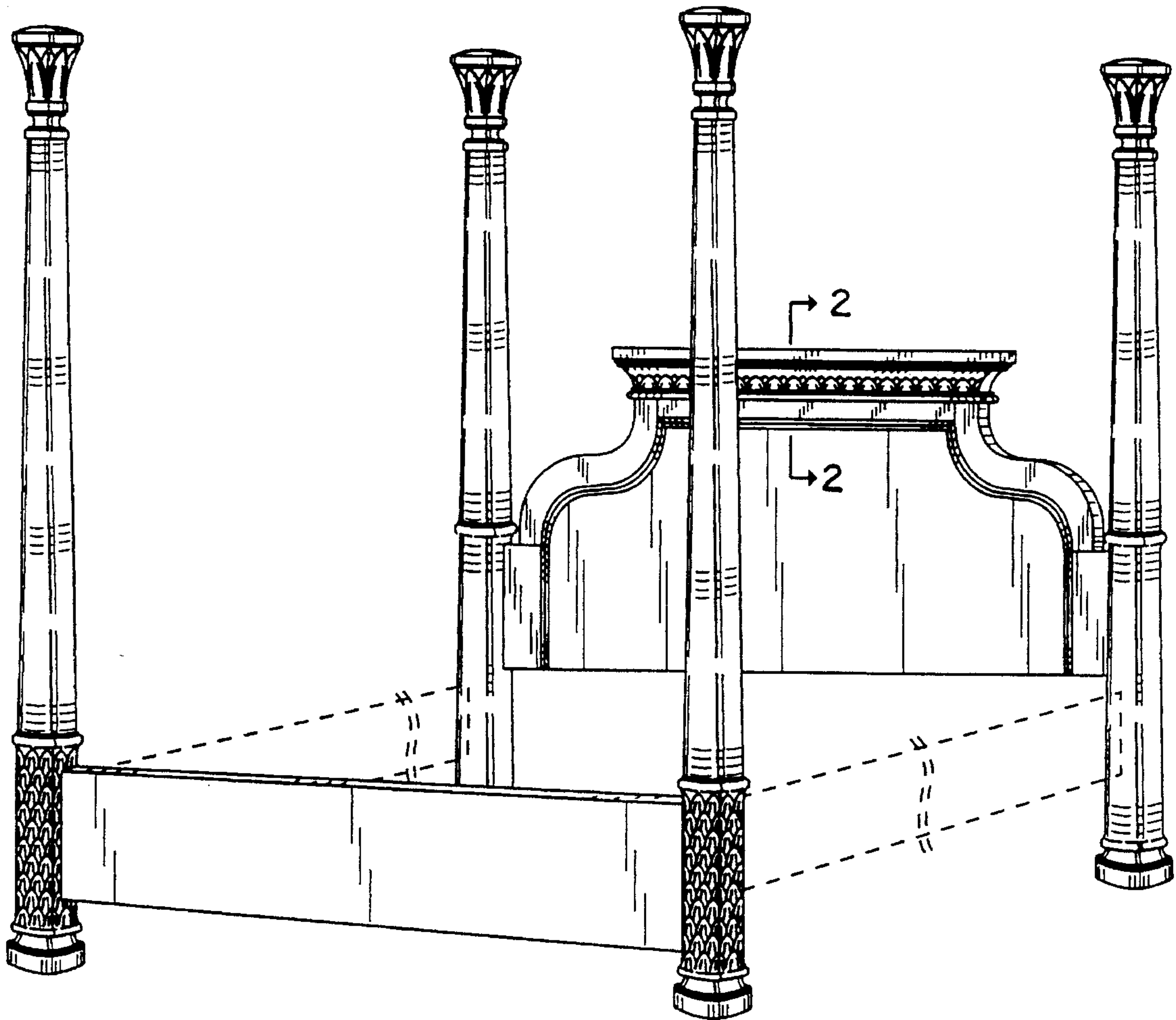


FIG. 1

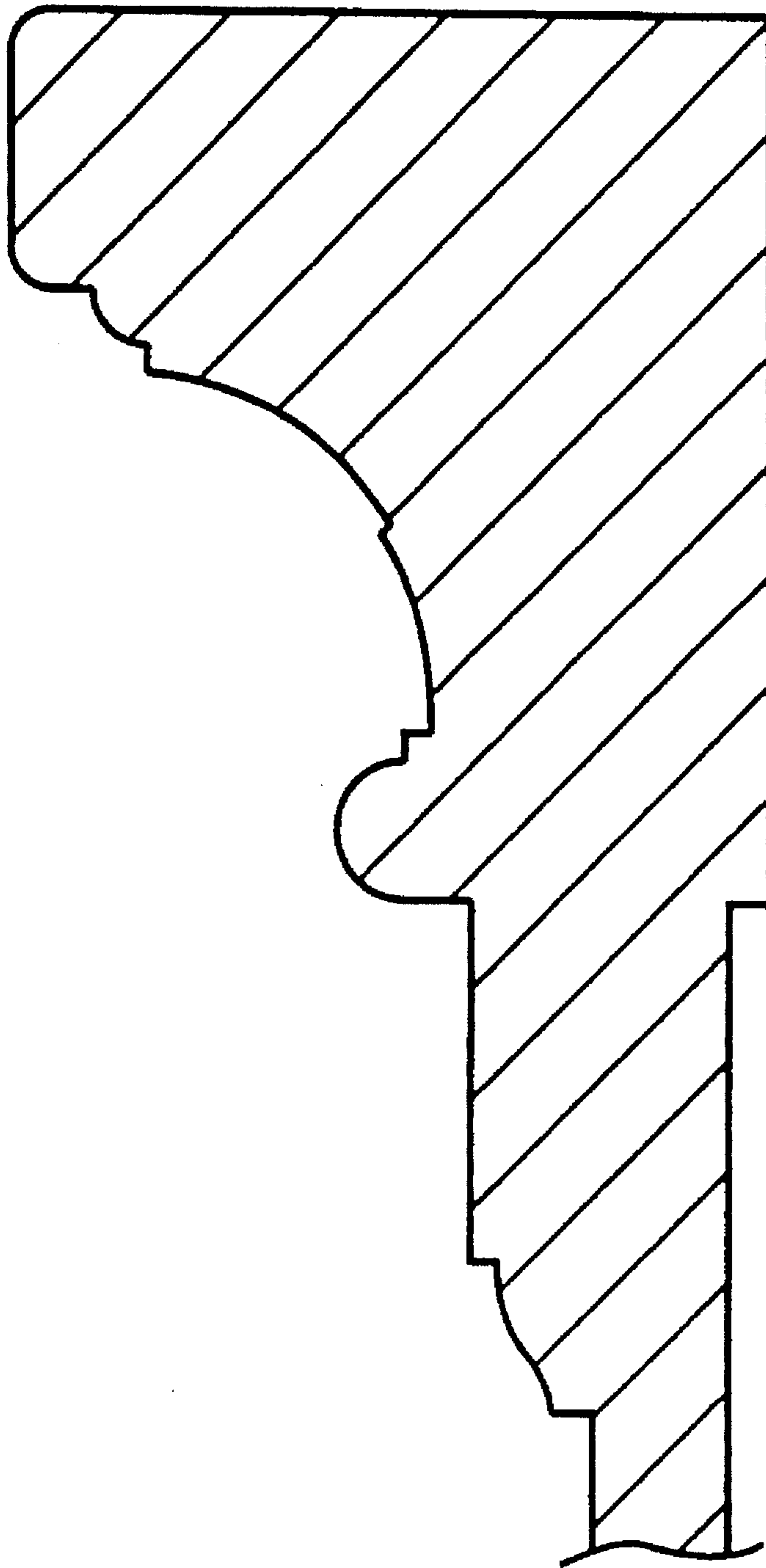


FIG. 2

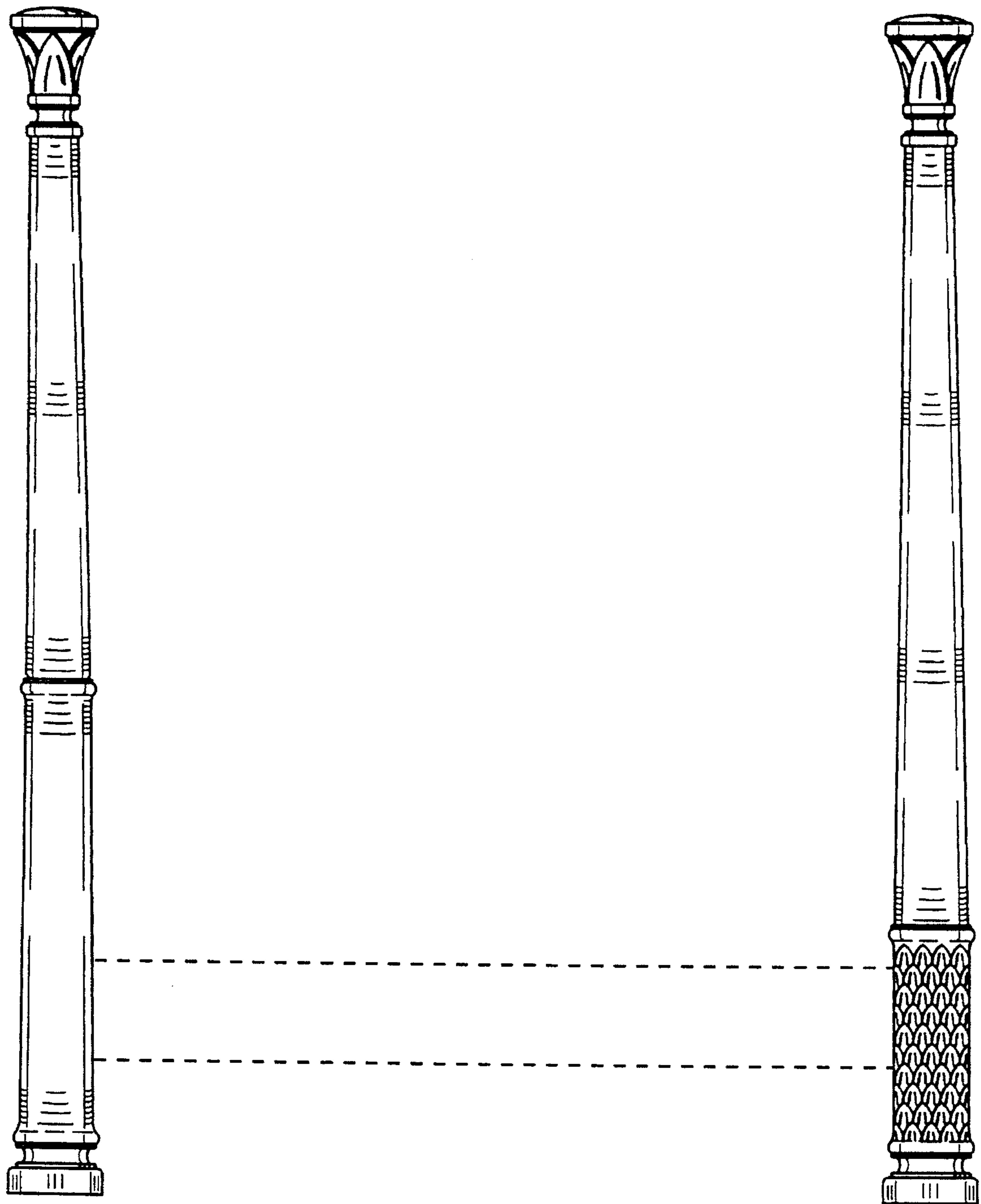


FIG. 3

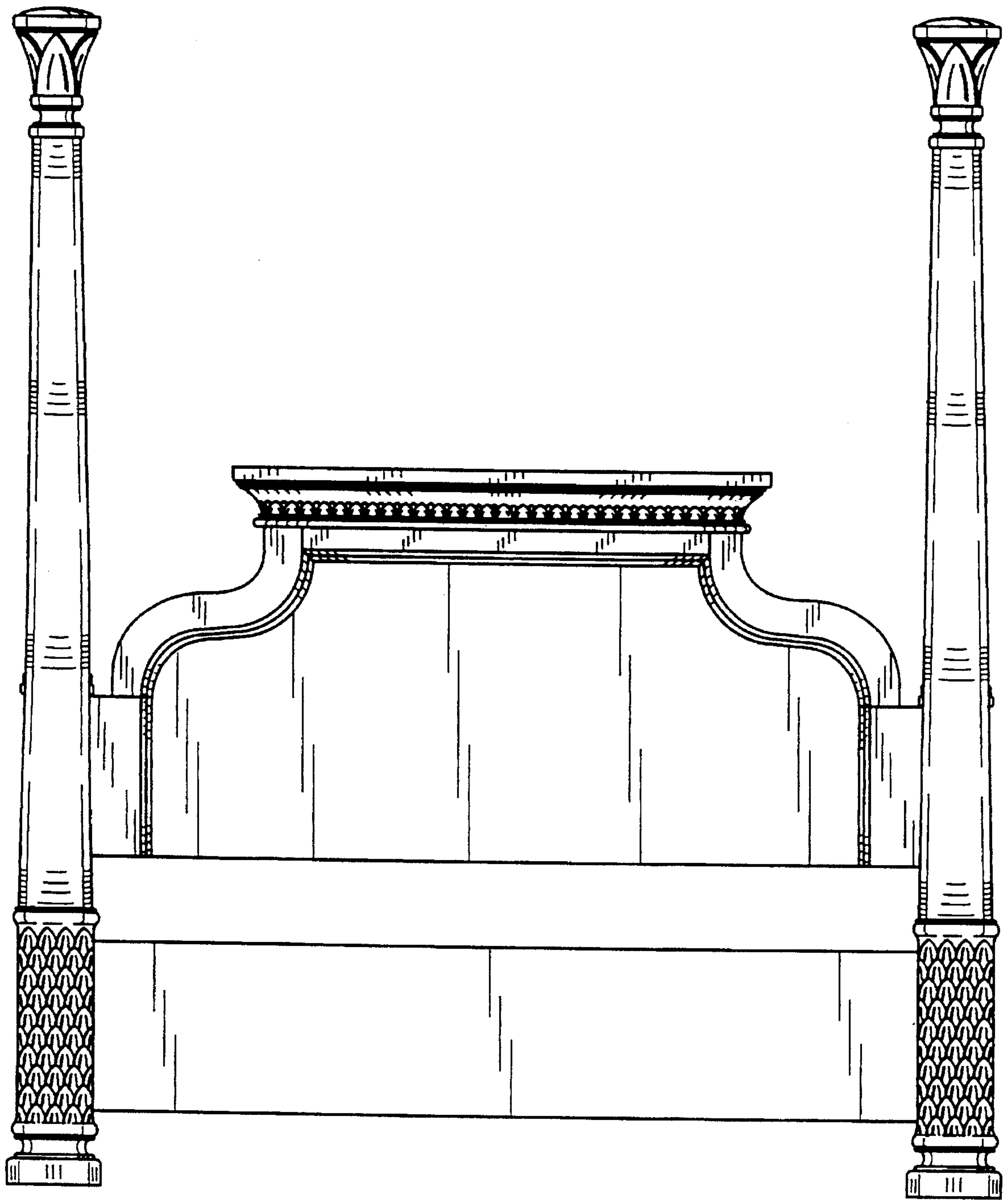


FIG. 4