



US00D373258S

# United States Patent [19]

[11] Patent Number: **Des. 373,258**

Egbers

[45] Date of Patent: **\*\*Sep. 3, 1996**

[54] **CANOPY BED**

*Primary Examiner*—Janice E. Seeger  
*Attorney, Agent, or Firm*—Charles D. Gunter, Jr.

[76] Inventor: **Jack L. Egbers**, 7901 Lazy Lane Rd.,  
North Richland Hills, Tex. 76180

[57] **CLAIM**

[\*\*] Term: **14 Years**

The ornamental design for a canopy bed, as shown and described.

[21] Appl. No.: **43,441**

**DESCRIPTION**

[22] Filed: **Jul. 26, 1995**

[52] U.S. Cl. .... **D6/388**

[58] Field of Search ..... D6/382, 388-395,  
D6/505-508, 384; 5/53.1, 58, 279.1, 280,  
281, 907

FIG. 1 is a perspective, plan view of the canopy bed of the invention;

FIG. 2 is a front view of the canopy bed of FIG. 1;

FIG. 3 is a left side view of the canopy bed of FIG. 1, the right side view being a mirror image thereof;

FIG. 4 is a rear view of the canopy bed of the invention;

FIG. 5 is a top view of the canopy bed of FIG. 2; and,

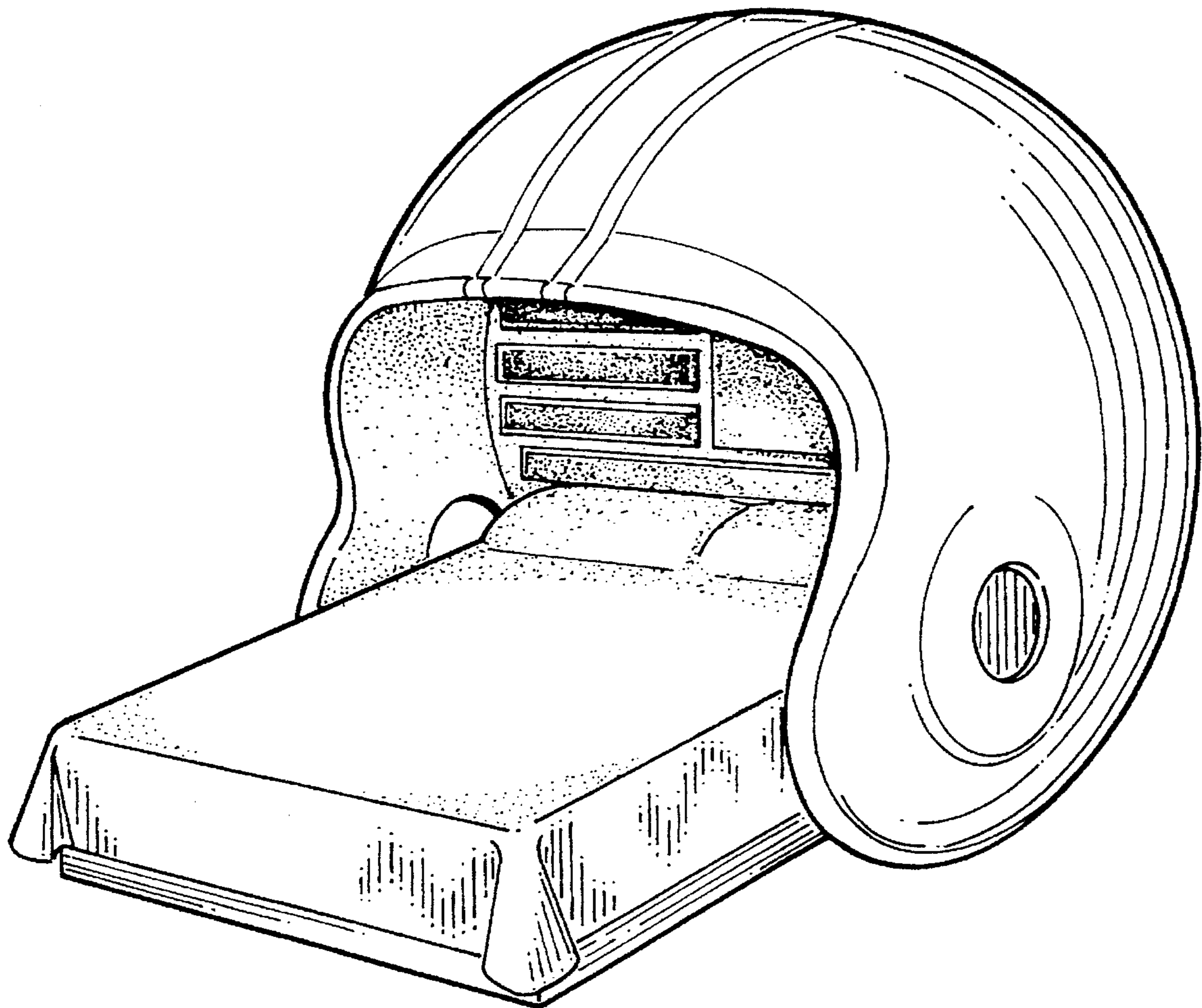
FIG. 6 is a bottom view of the bed of FIG. 5 with the bed portion shown in dotted lines in order to illustrate the remainder of the interior of the design.

[56] **References Cited**

**U.S. PATENT DOCUMENTS**

D. 266,974	11/1982	Wilks	.....	D6/506
D. 309,642	7/1990	MacVeigh	.....	D6/384 X
D. 359,866	7/1995	Duprey	.....	D6/506
D. 364,510	11/1995	Harrison	.....	D6/388

**1 Claim, 3 Drawing Sheets**



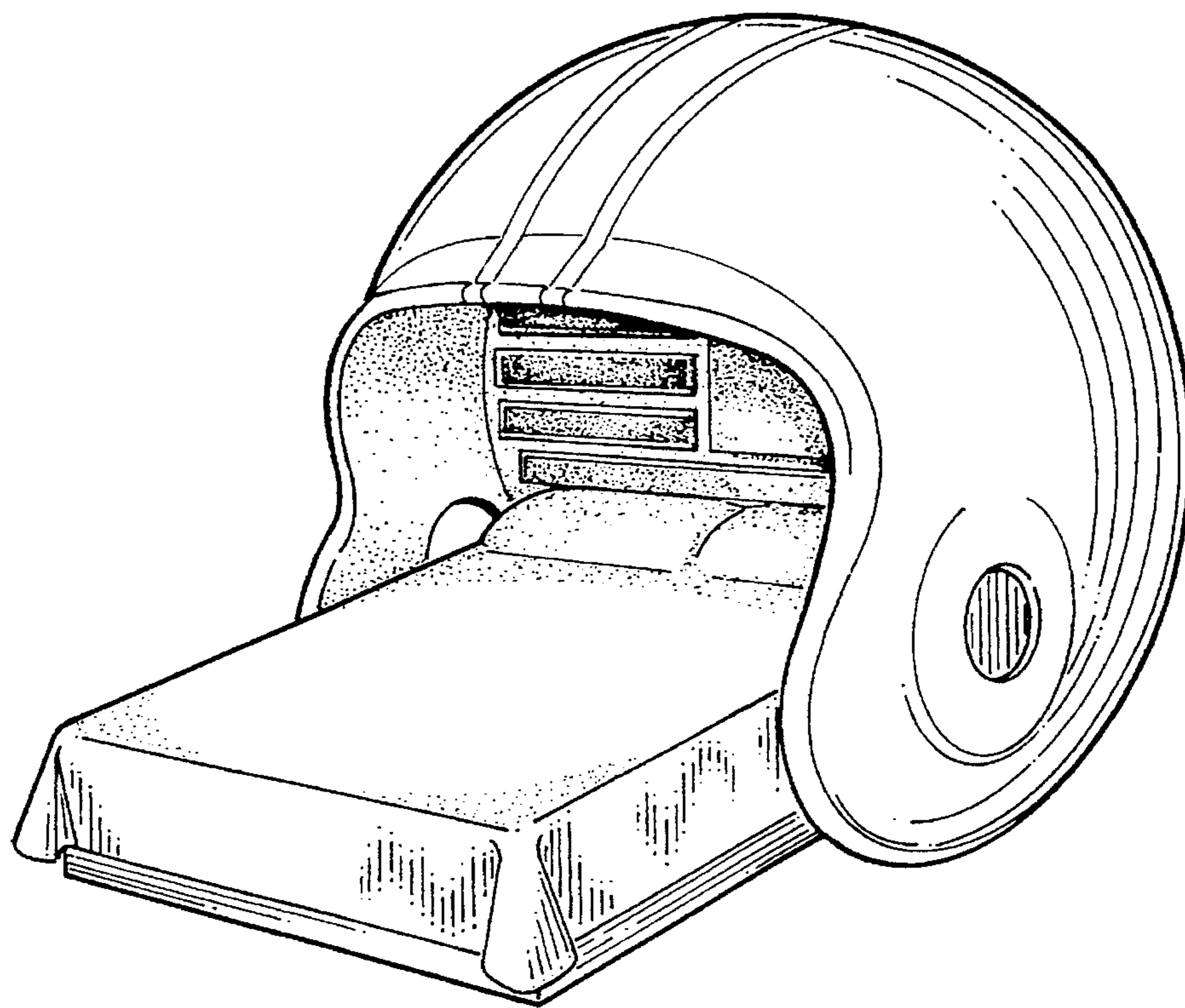


FIG. 1

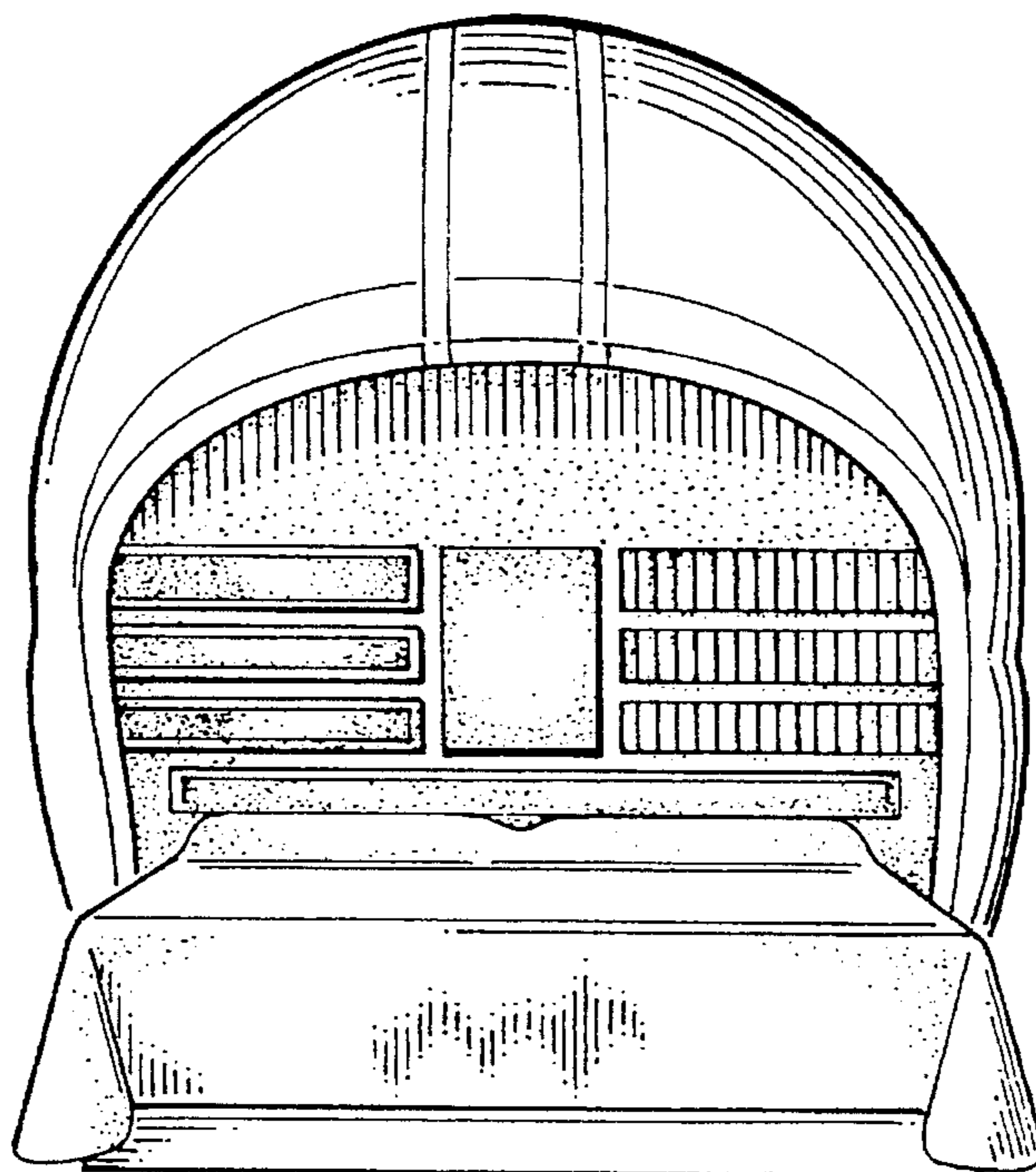


FIG. 2

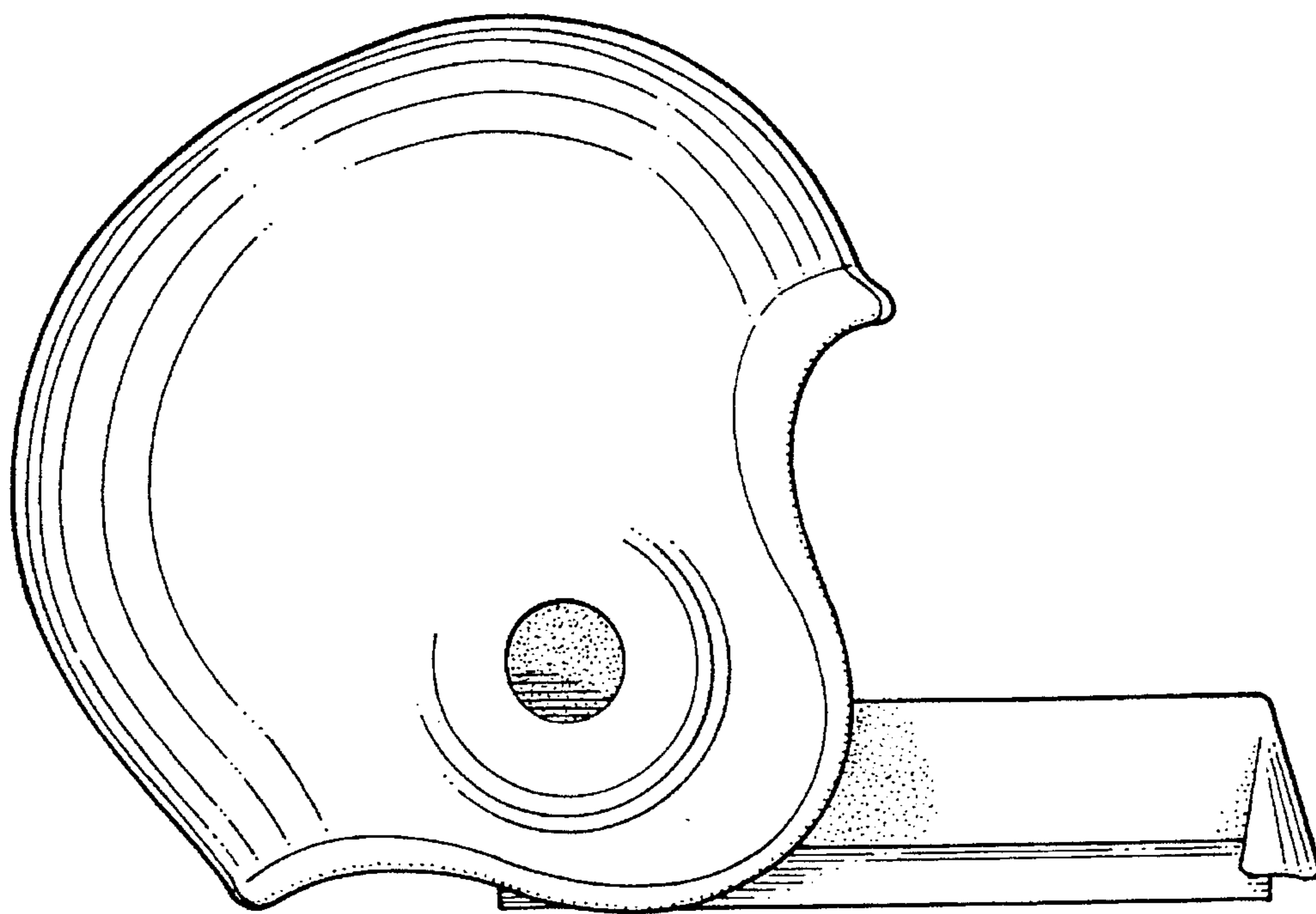


FIG. 3

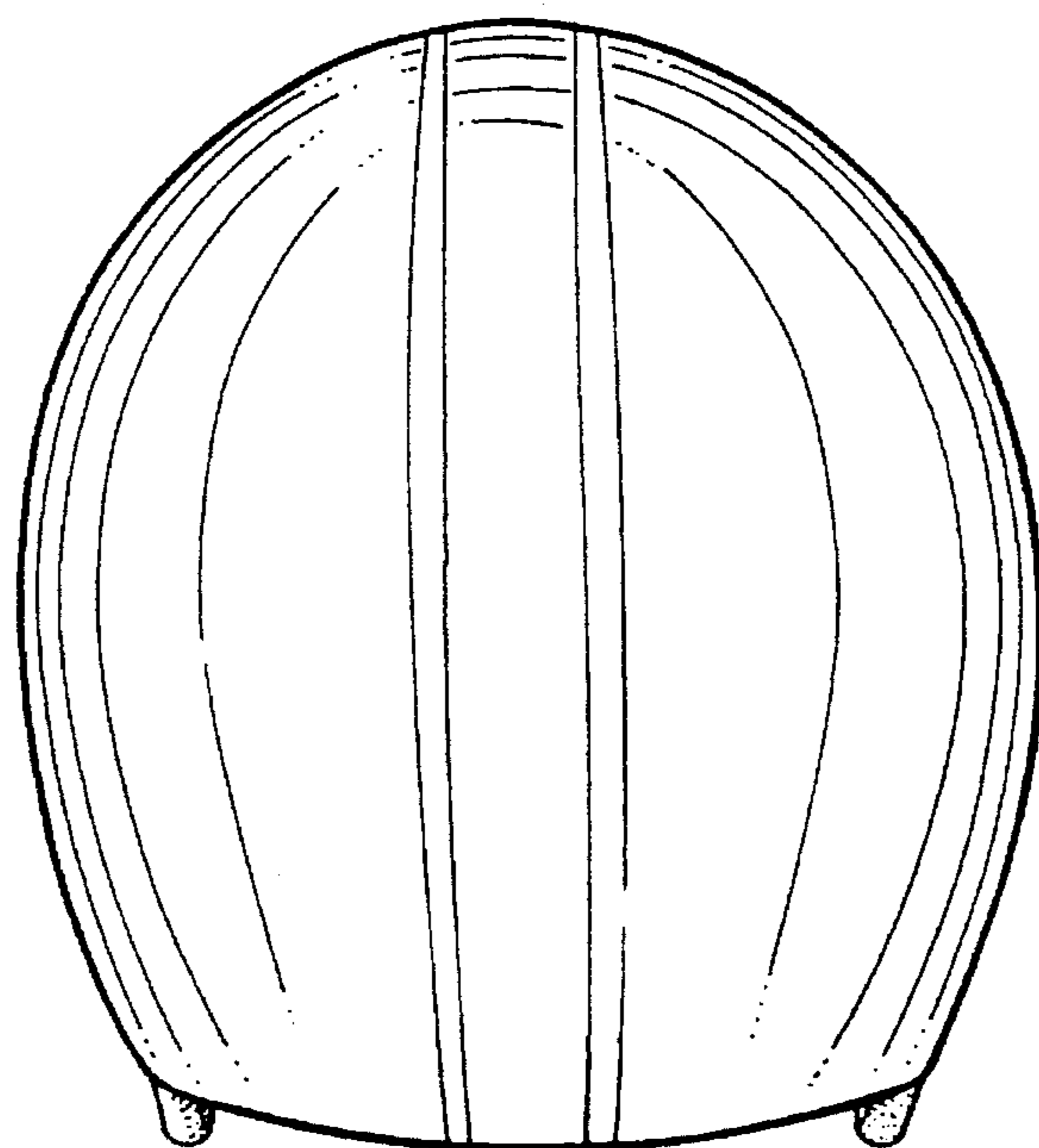


FIG. 4

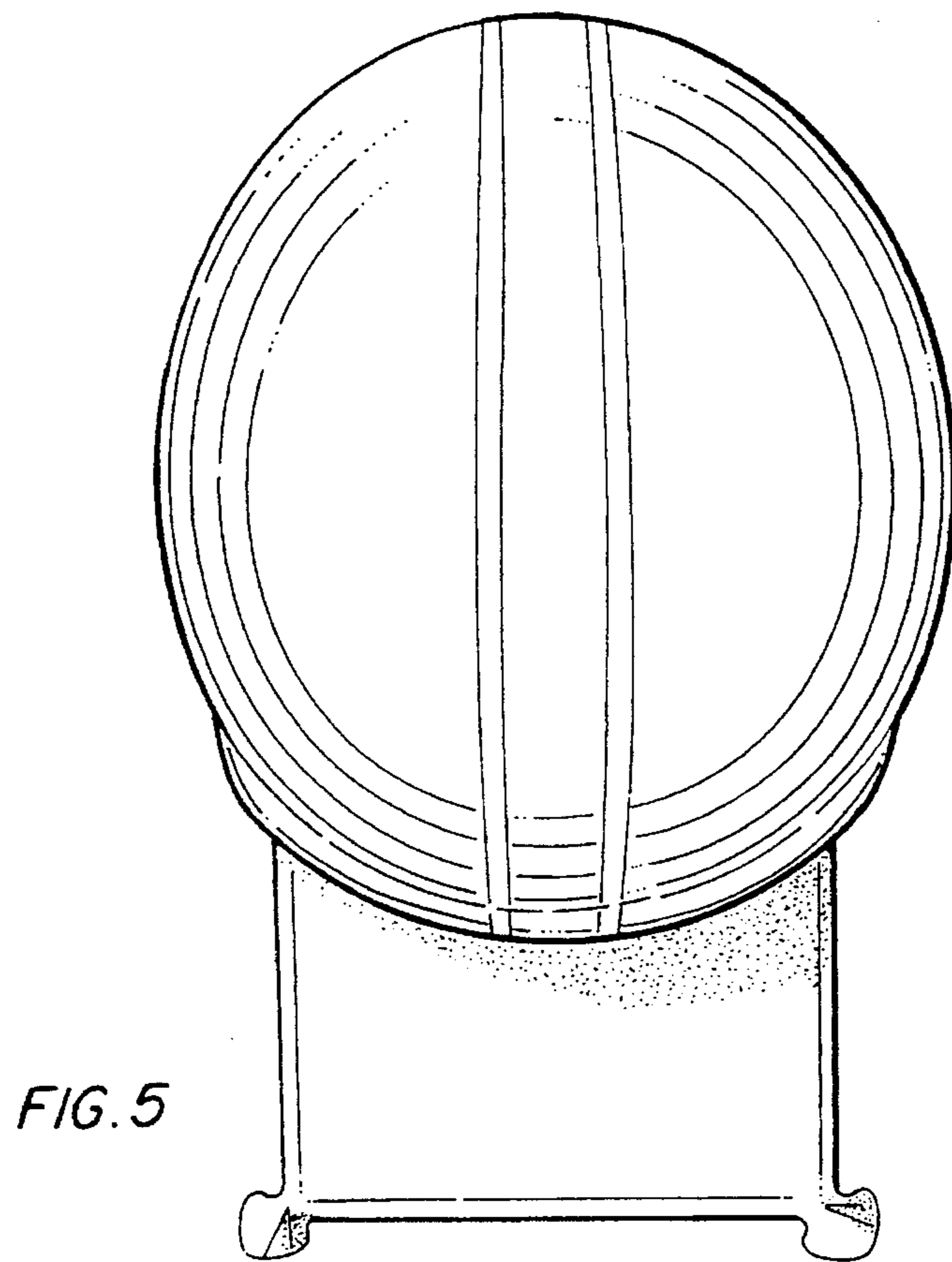


FIG. 5

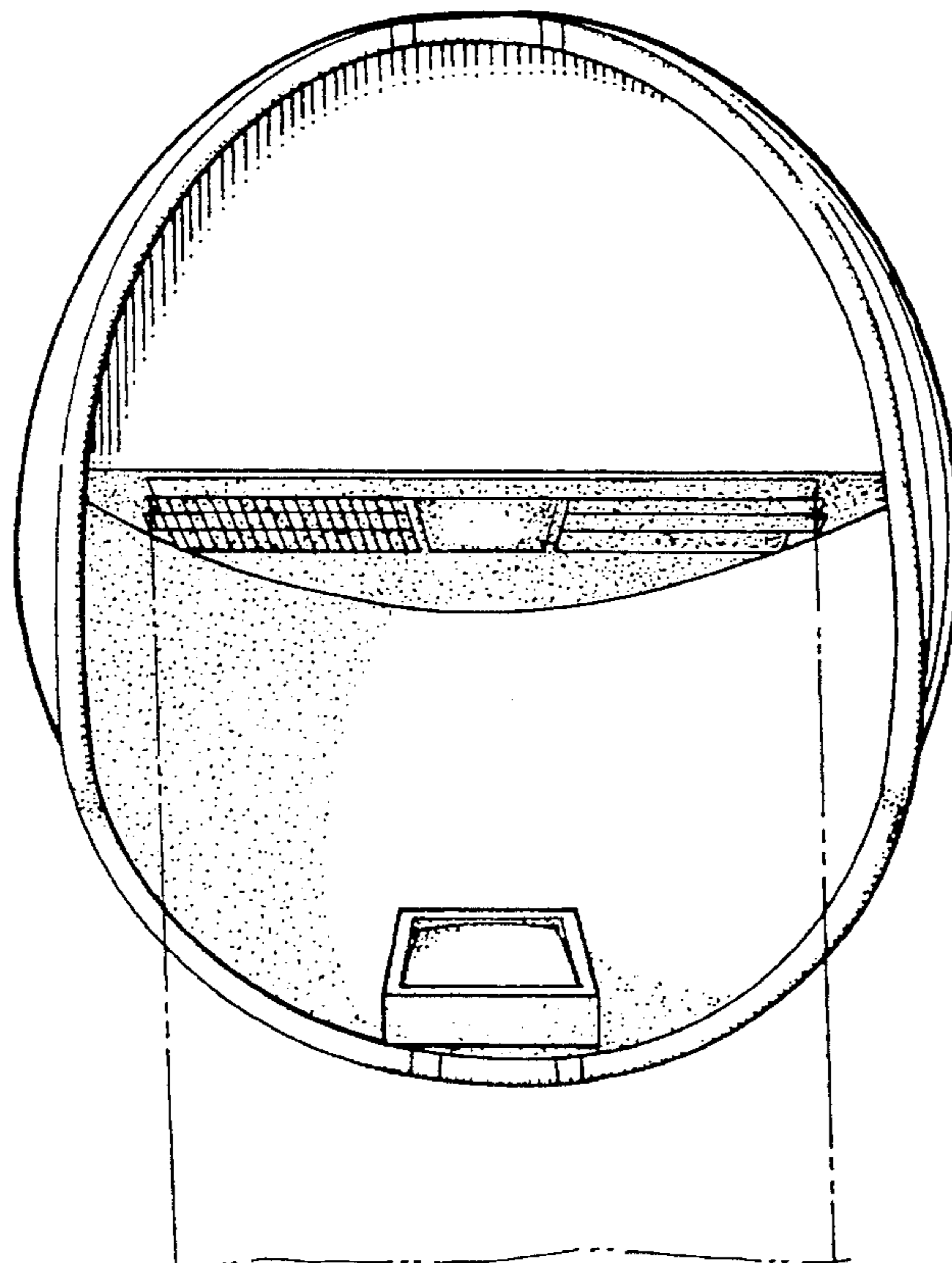


FIG. 6