



US00D373257S

United States Patent [19]

[11] Patent Number: **Des. 373,257**

Hutton

[45] Date of Patent: ****Sep. 3, 1996**

[54] **SERPENTINE CLUB SOFA**

[75] Inventor: **John Hutton**, New York, N.Y.

[73] Assignee: **Donghia Furniture**, New York, N.Y.

[**] Term: **14 Years**

[21] Appl. No.: **44,522**

[22] Filed: **Sep. 26, 1995**

[52] U.S. Cl. **D6/381**

[58] Field of Search D6/334, 335, 336,
D6/371, 373, 381, 500, 501, 502; 297/232

[56] **References Cited**

U.S. PATENT DOCUMENTS

| | | | | |
|------------|--------|----------------|-------|--------|
| D. 99,968 | 6/1936 | Tyrrell | | D6/381 |
| D. 180,697 | 7/1957 | Peabody | | D6/381 |
| D. 337,692 | 7/1993 | Natuzzi et al. | | D6/381 |
| D. 359,856 | 7/1995 | Hutton | | D6/334 |
| D. 360,997 | 8/1995 | Hutton | | D6/381 |

OTHER PUBLICATIONS

Waynline, Jul. 1988, Sofa #668P/219-810 at left.

Primary Examiner—Gary D. Watson

Attorney, Agent, or Firm—Kenyon & Kenyon

[57] **CLAIM**

The ornamental design for a serpentine club sofa, as shown and described.

DESCRIPTION

FIG. 1 is a perspective view of a sofa, with two cushions, showing my new design;

FIG. 2 is a top plan view of the sofa illustrated in FIG. 1;

FIG. 3 is a bottom plan view of the sofa illustrated in FIG. 1;

FIG. 4 is a front elevational view of the sofa illustrated in FIG. 1;

FIG. 5 is a rear elevational view of the sofa illustrated in FIG. 1;

FIG. 6 is a right side elevational view of the sofa illustrated in FIG. 1, the left side being a mirror image thereof;

FIG. 7 is a perspective view of a three cushion alternative of my new sofa design;

FIG. 8 is a top plan view of the sofa illustrated in FIG. 7;

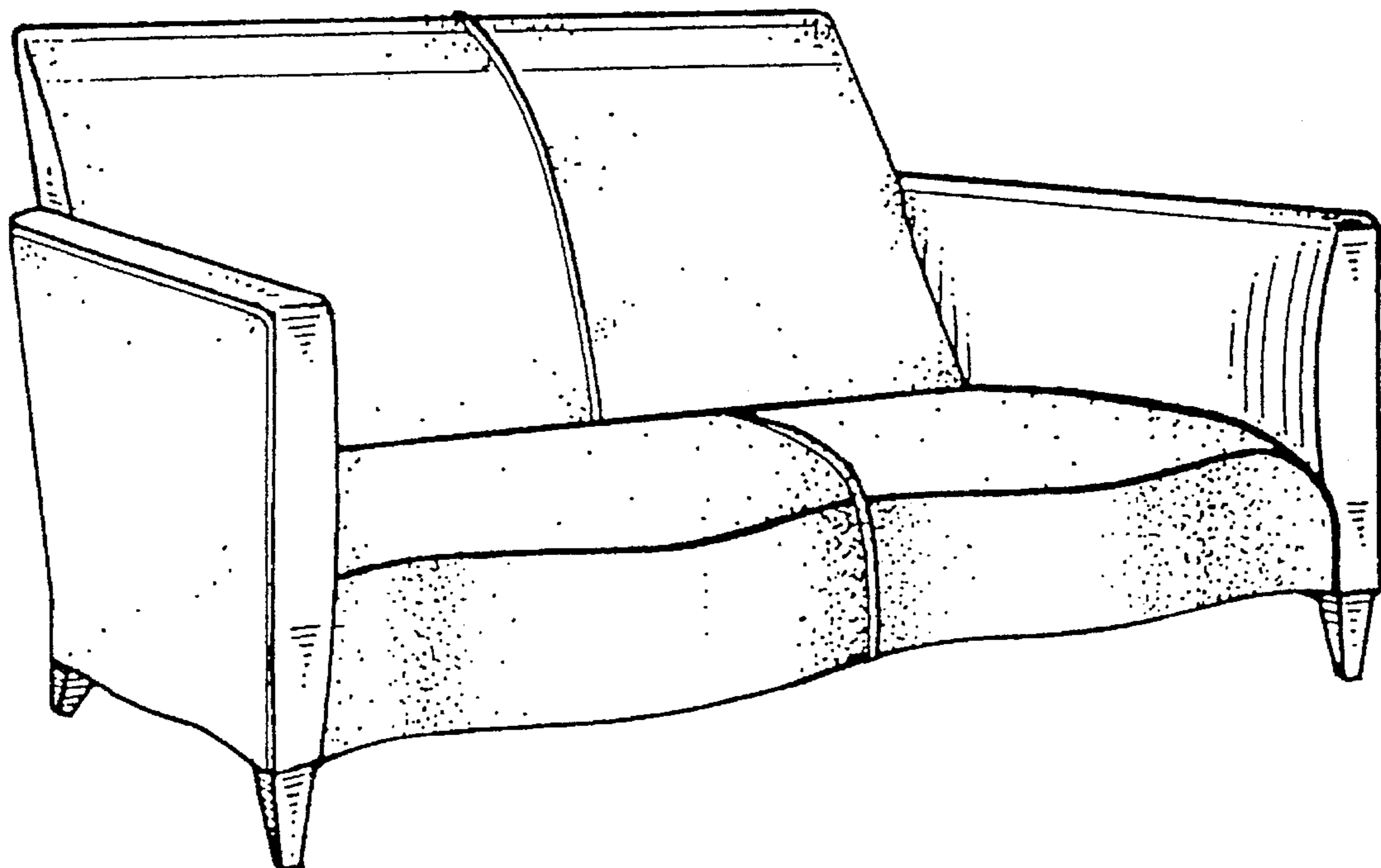
FIG. 9 is a bottom plan view is a top plan view of the sofa illustrated in FIG. 7;

FIG. 10 is a front elevational view is a top plan view of the sofa illustrated in FIG. 7; and,

FIG. 11 is a rear elevational view is a top plan view of the sofa illustrated in FIG. 7.

The side of the second embodiment which has not been shown is a mirror image of that shown in FIG. 7.

1 Claim, 11 Drawing Sheets



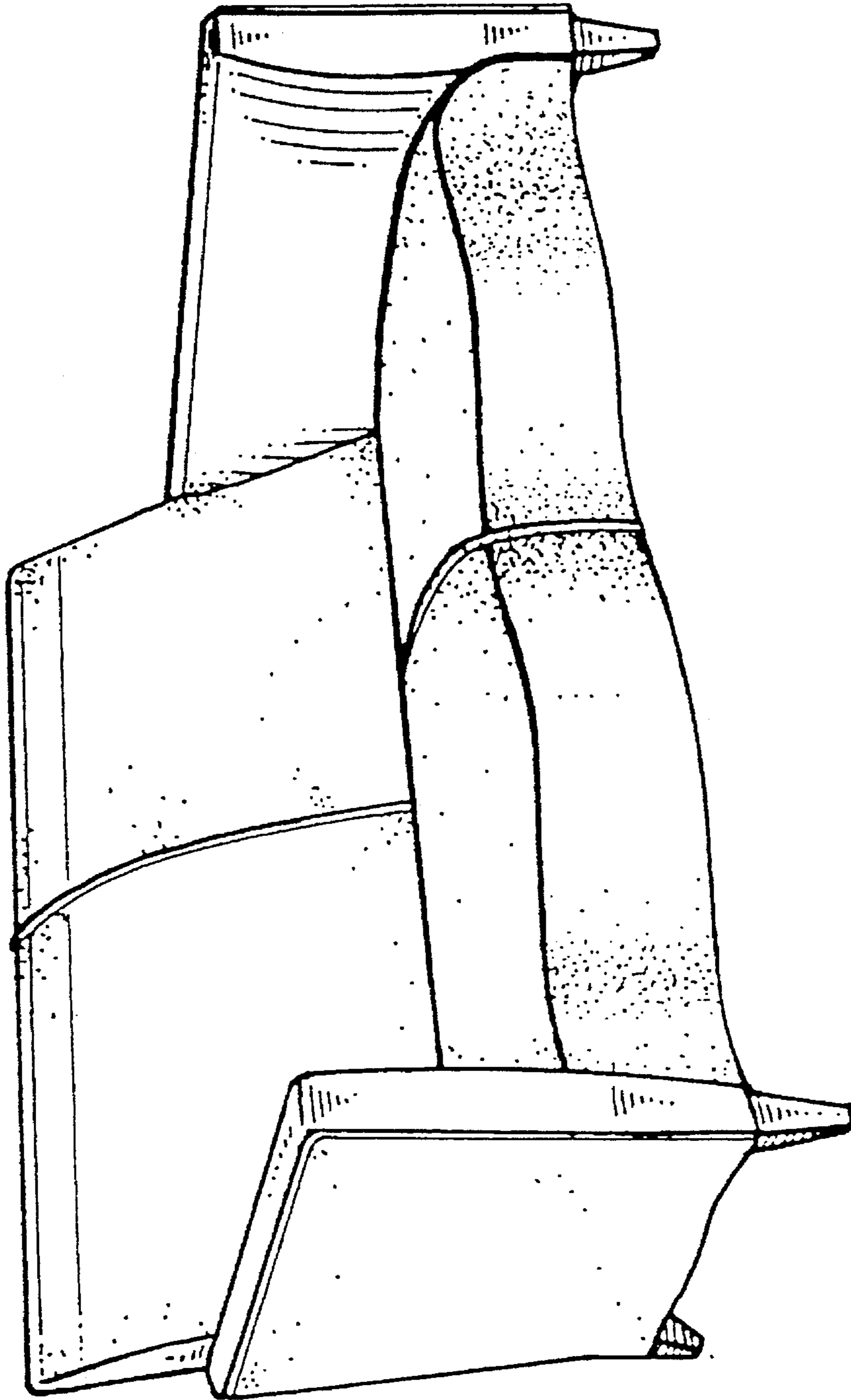


FIG. 1

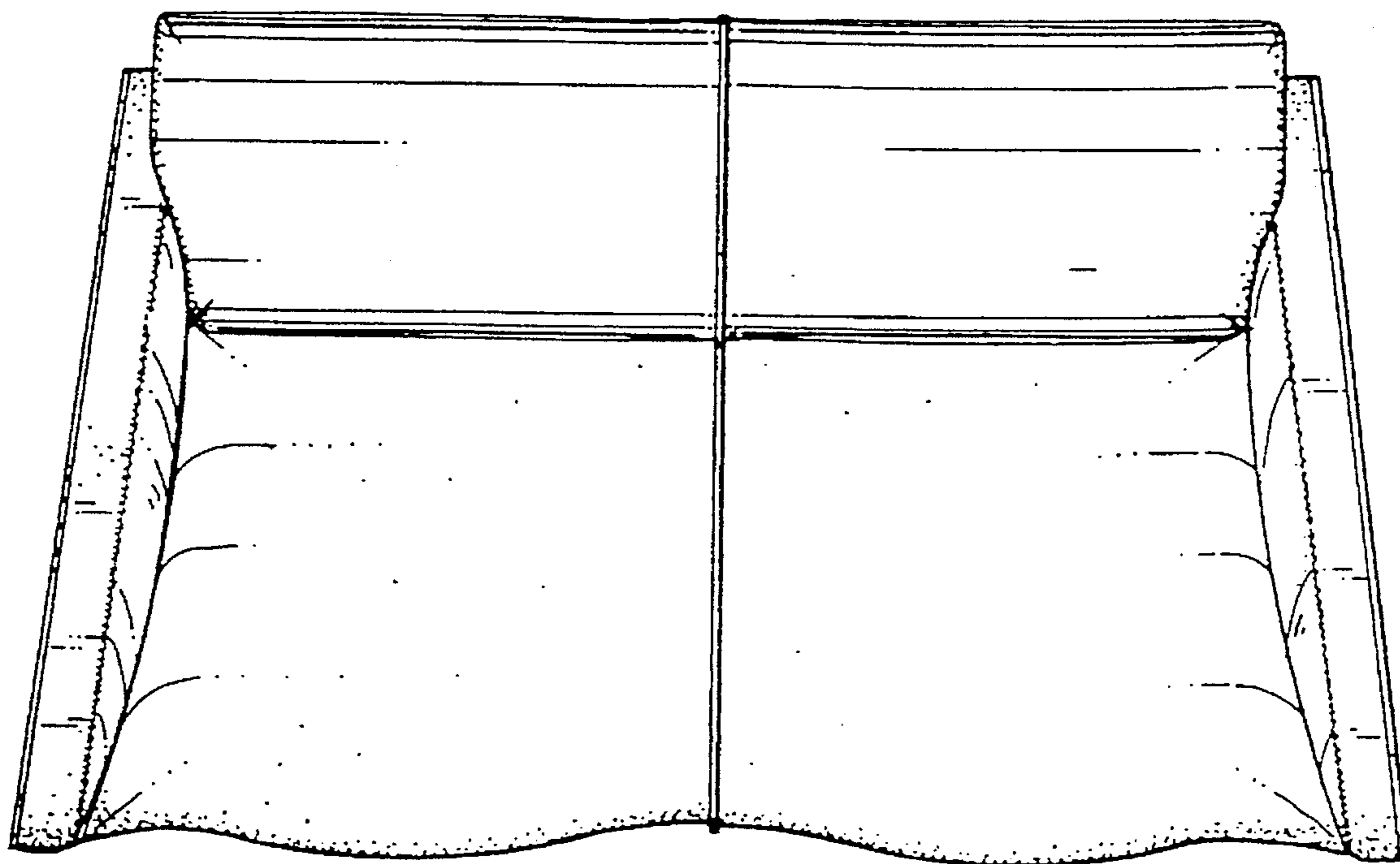


FIG. 2

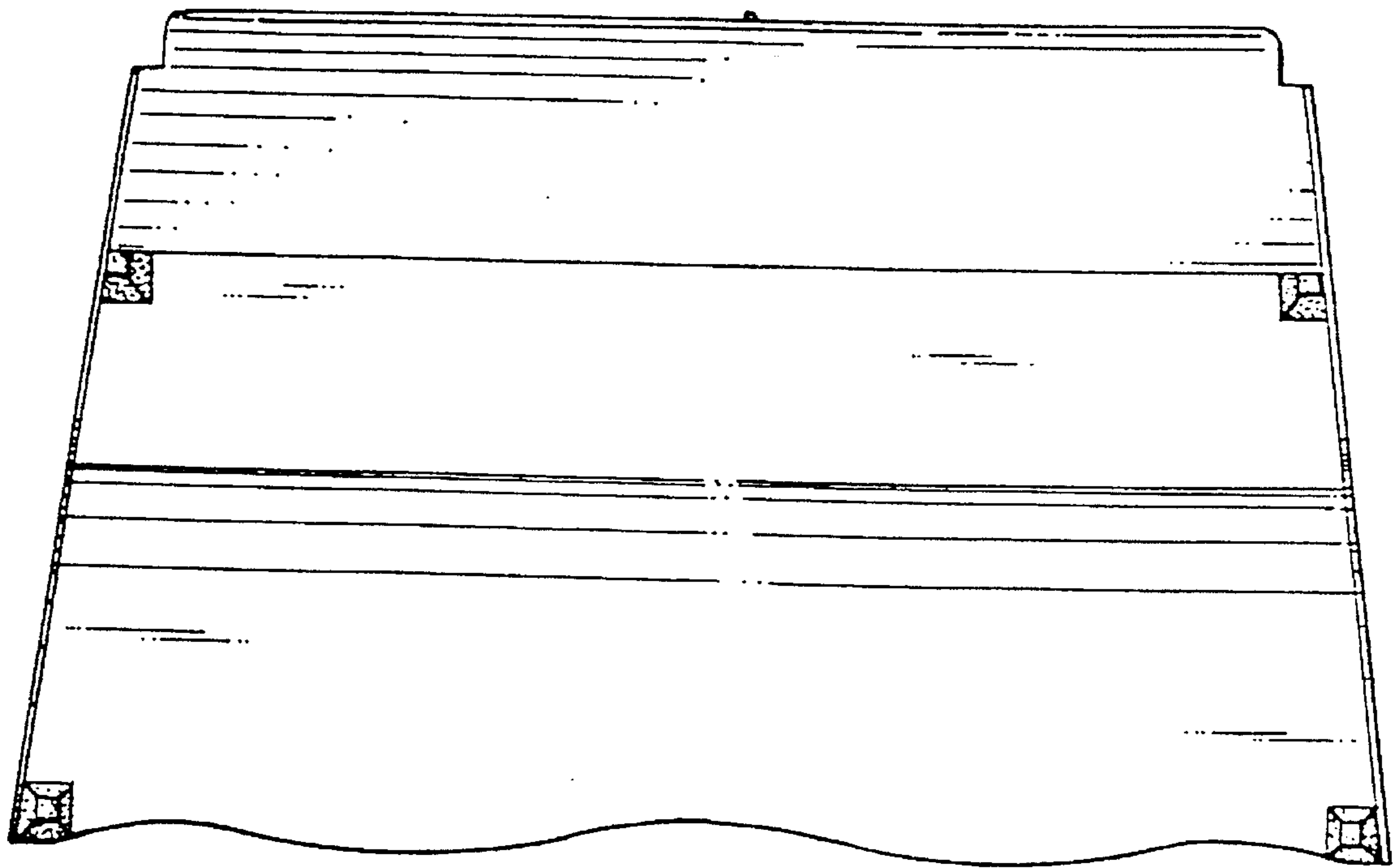


FIG. 3

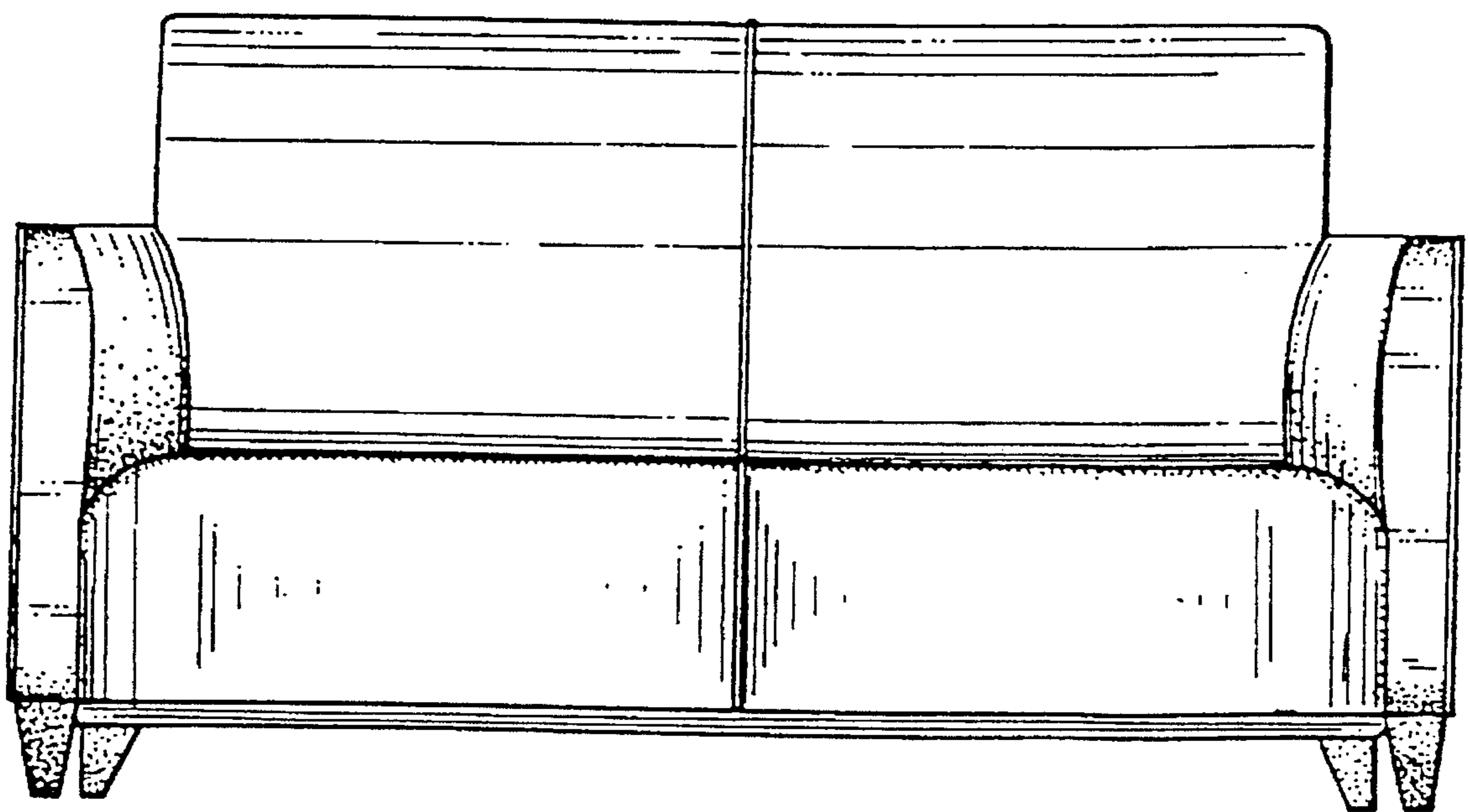


FIG. 4

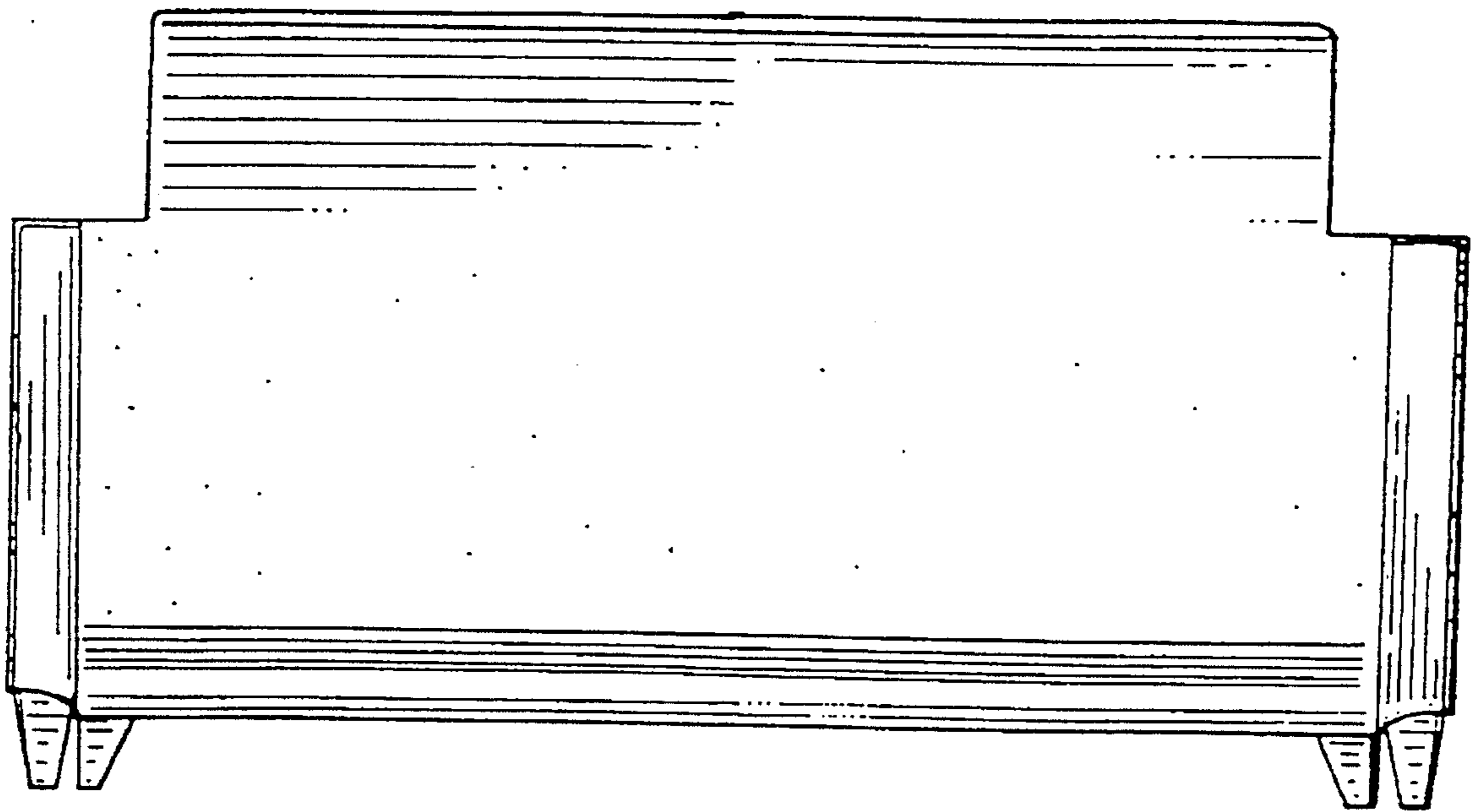


FIG. 5

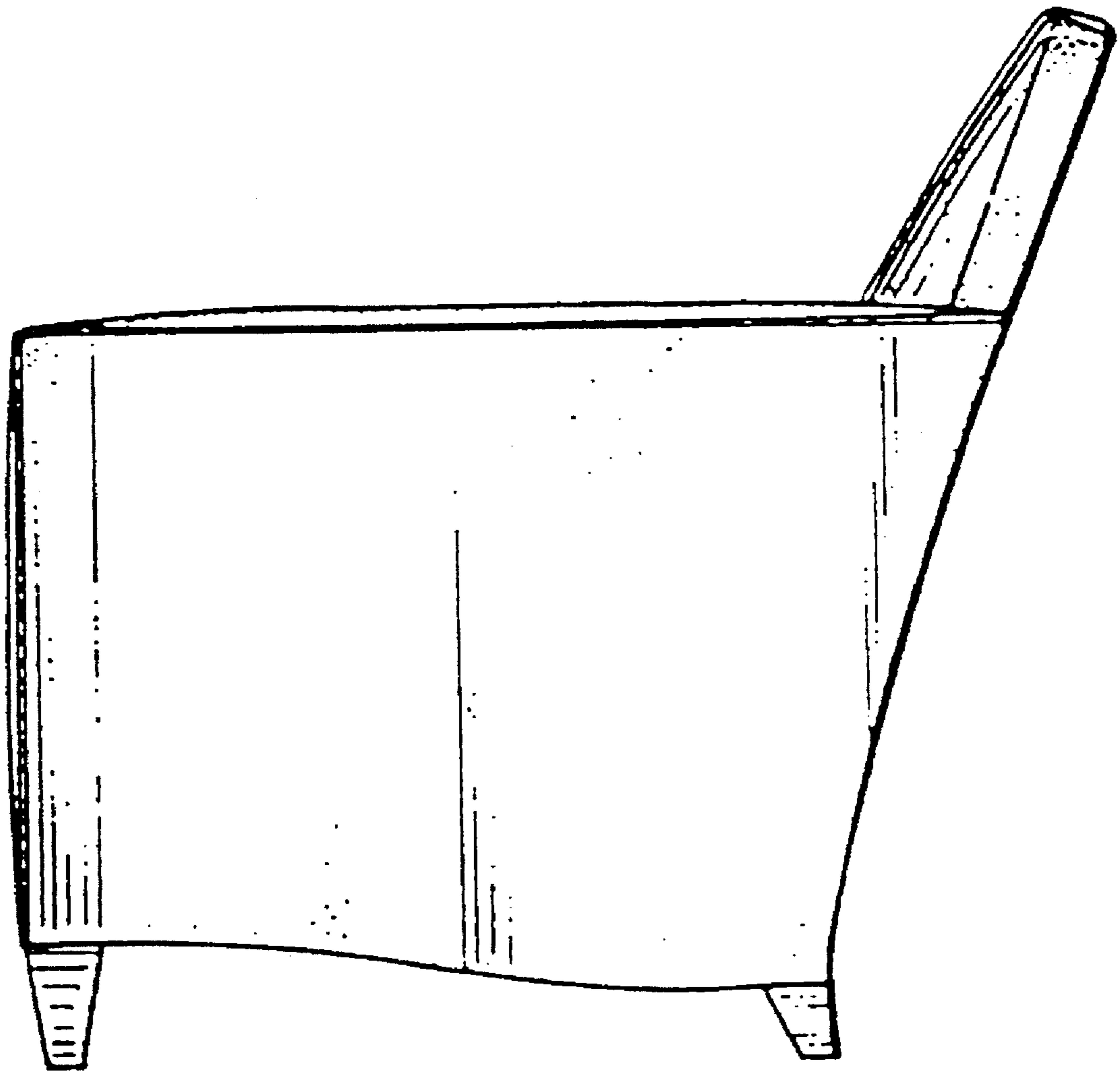


FIG. 6

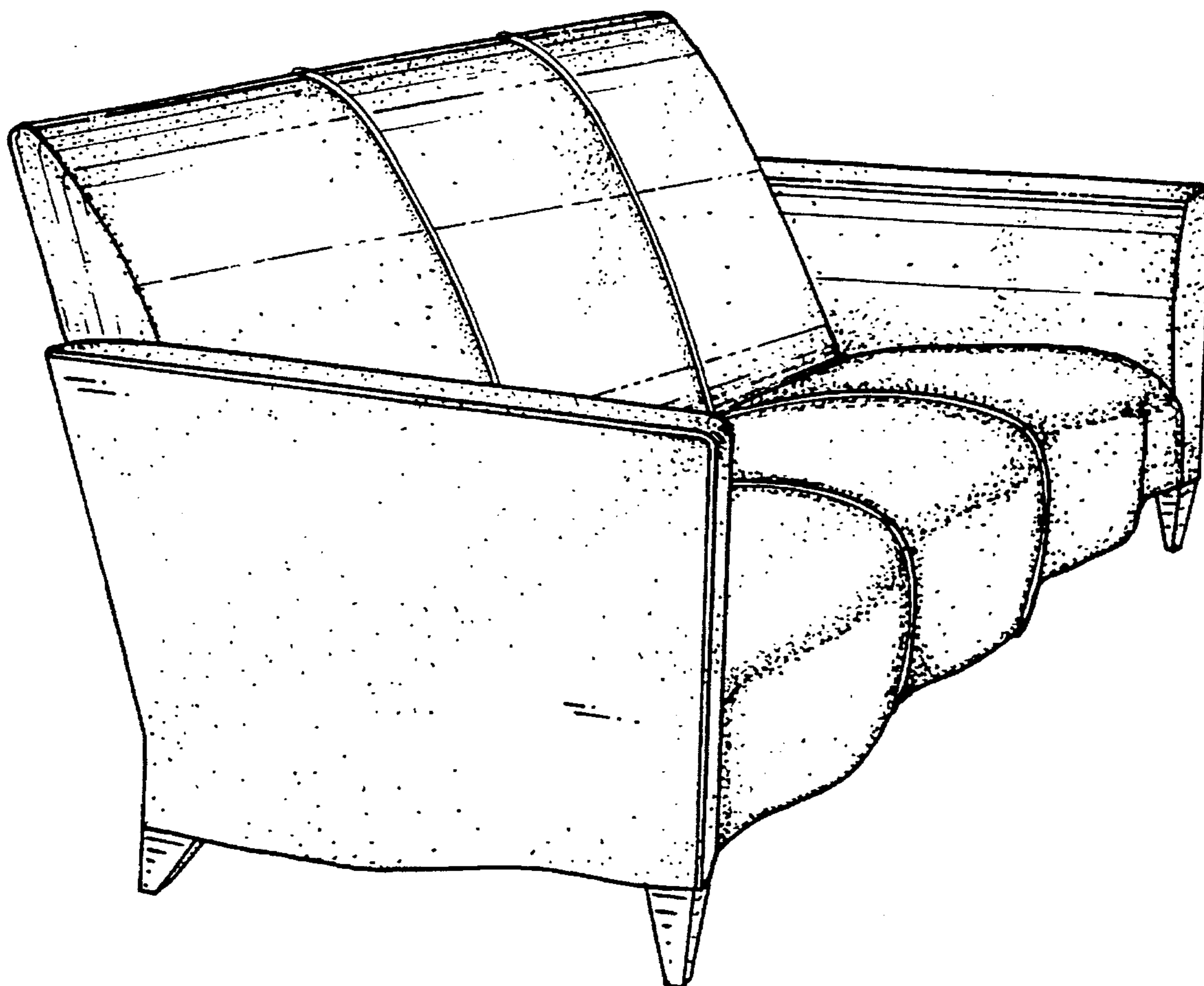


FIG. 7

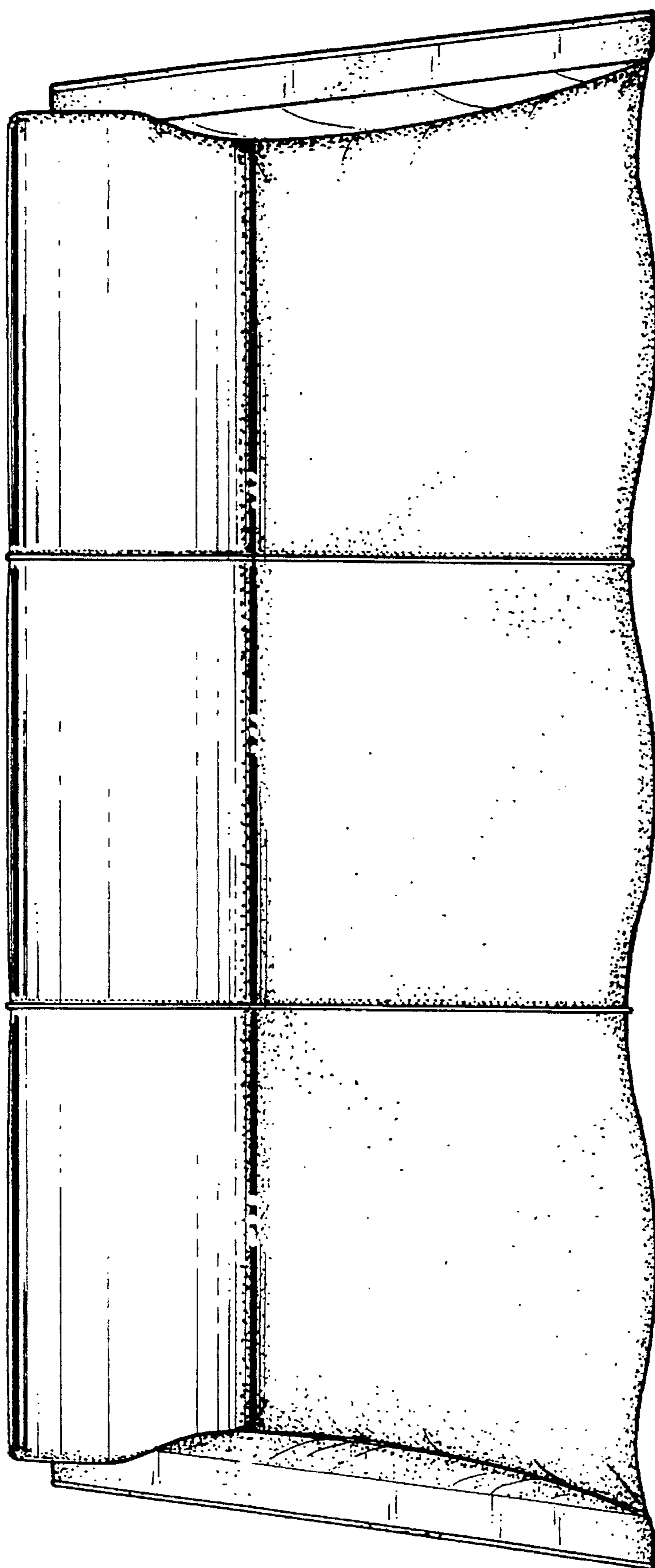


FIG. 8

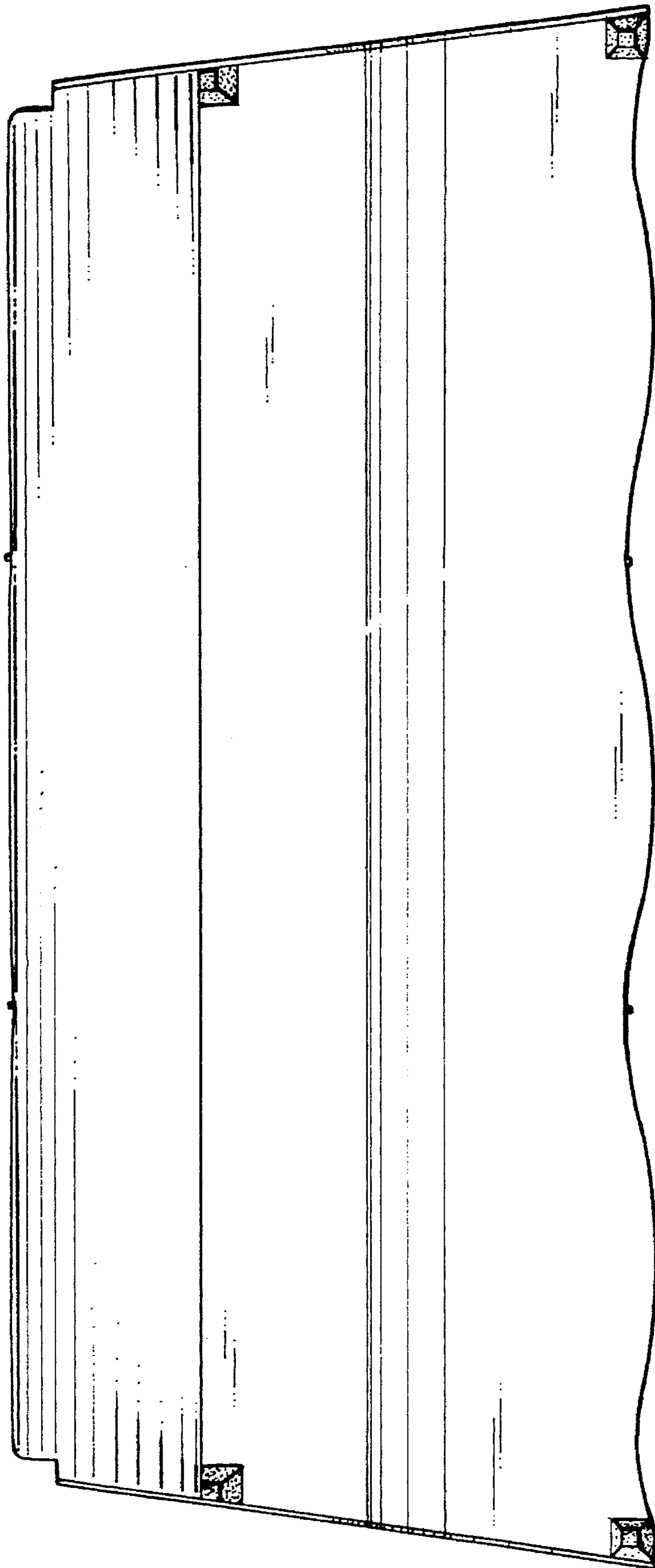


FIG. 9

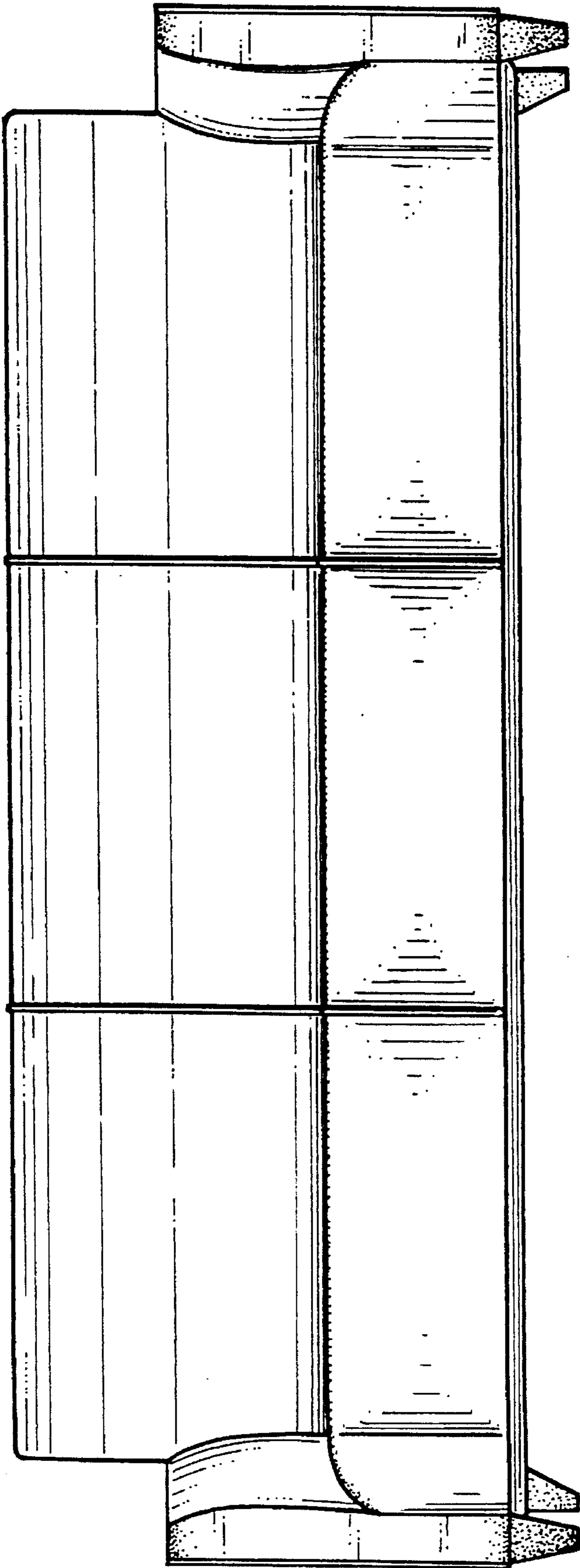


FIG. 10

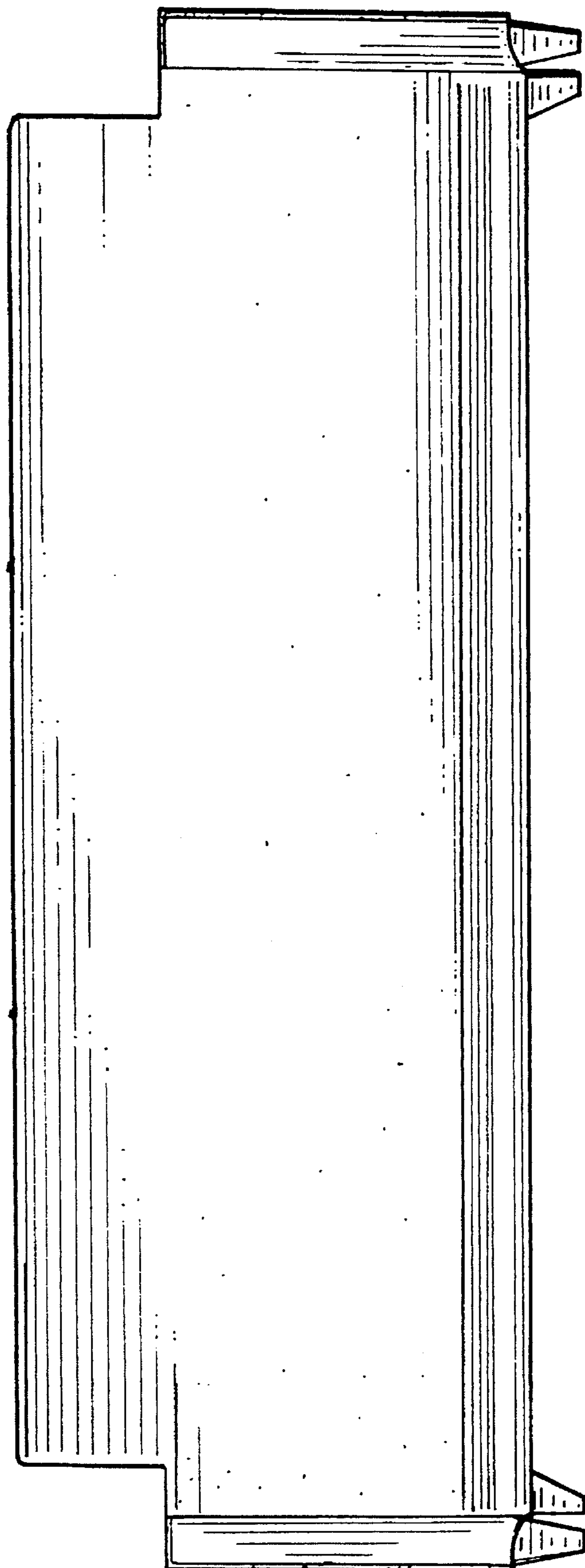


FIG. 11