



US00D373255S

# United States Patent [19]

[11] Patent Number: **Des. 373,255**

Gresens

[45] Date of Patent: **\*\*Sep. 3, 1996**

[54] **ARMCHAIR**

D. 361,903	9/1995	Van Skiver	.....	D6/370
D. 362,556	9/1995	Van Skiver	.....	D6/370
D. 362,977	10/1995	Battaglia	.....	D6/375
D. 364,284	11/1995	Prosperio	.....	D6/374
D. 364,748	12/1995	Morin	.....	D6/370

[75] Inventor: **Stanley Gresens**, Homewood, Ill.

[73] Assignee: **Syroco, Inc.**, East Boston, Mass.

[\*\*] Term: **14 Years**

*Primary Examiner*—Gary D. Watson  
*Attorney, Agent, or Firm*—Sidley & Austin; Hugh A. Abrams

[21] Appl. No.: **22,731**

[22] Filed: **May 11, 1994**

[52] U.S. Cl. .... **D6/379**; D6/370; D6/374

[58] Field of Search ..... D6/334, 370, 374,  
D6/375, 376, 379, 380, 500, 501, 502;  
297/239

## [57] CLAIM

The ornamental design for armchair, as shown.

## DESCRIPTION

FIG. 1 is a right-hand perspective view, showing the armchair of my new design;  
FIG. 2 is a front elevational view thereof;  
FIG. 3 is a rear elevational view thereof;  
FIG. 4 is a top view thereof;  
FIG. 5 is a bottom view thereof;  
FIG. 6 is a right side view thereof; and,  
FIG. 7 is a left side view thereof.

## [56] References Cited

### U.S. PATENT DOCUMENTS

D. 303,736	10/1989	Grosfillex	.....	D6/379
D. 317,088	5/1991	Grosfillex	.....	D6/379
D. 329,339	9/1992	Grosfillex	.....	D6/370
D. 331,323	12/1992	Grosfillex	.....	D6/370
D. 338,347	8/1993	Hubert	.....	D6/370
D. 360,537	7/1995	Van Skiver	.....	D6/370

**1 Claim, 4 Drawing Sheets**

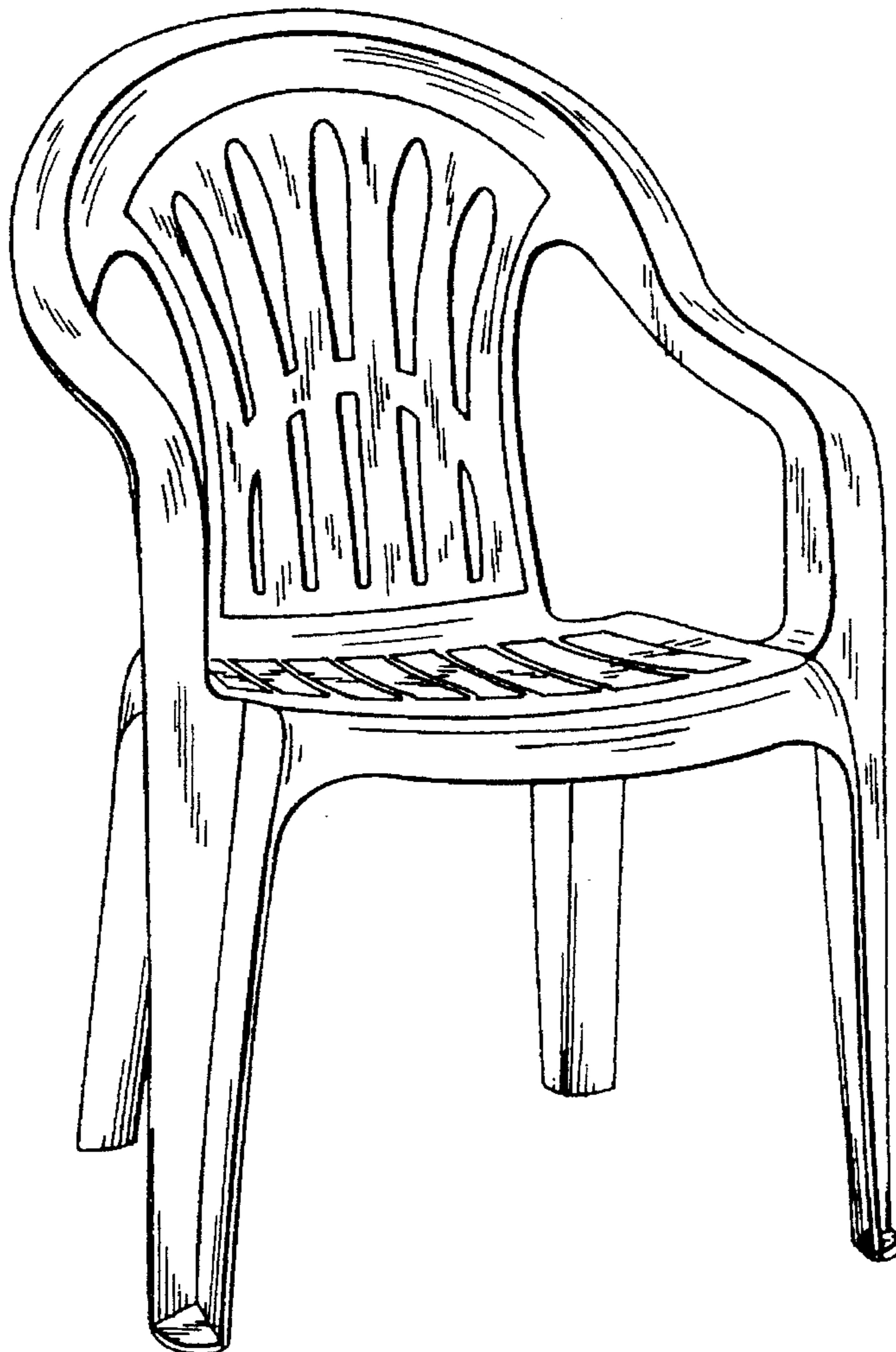
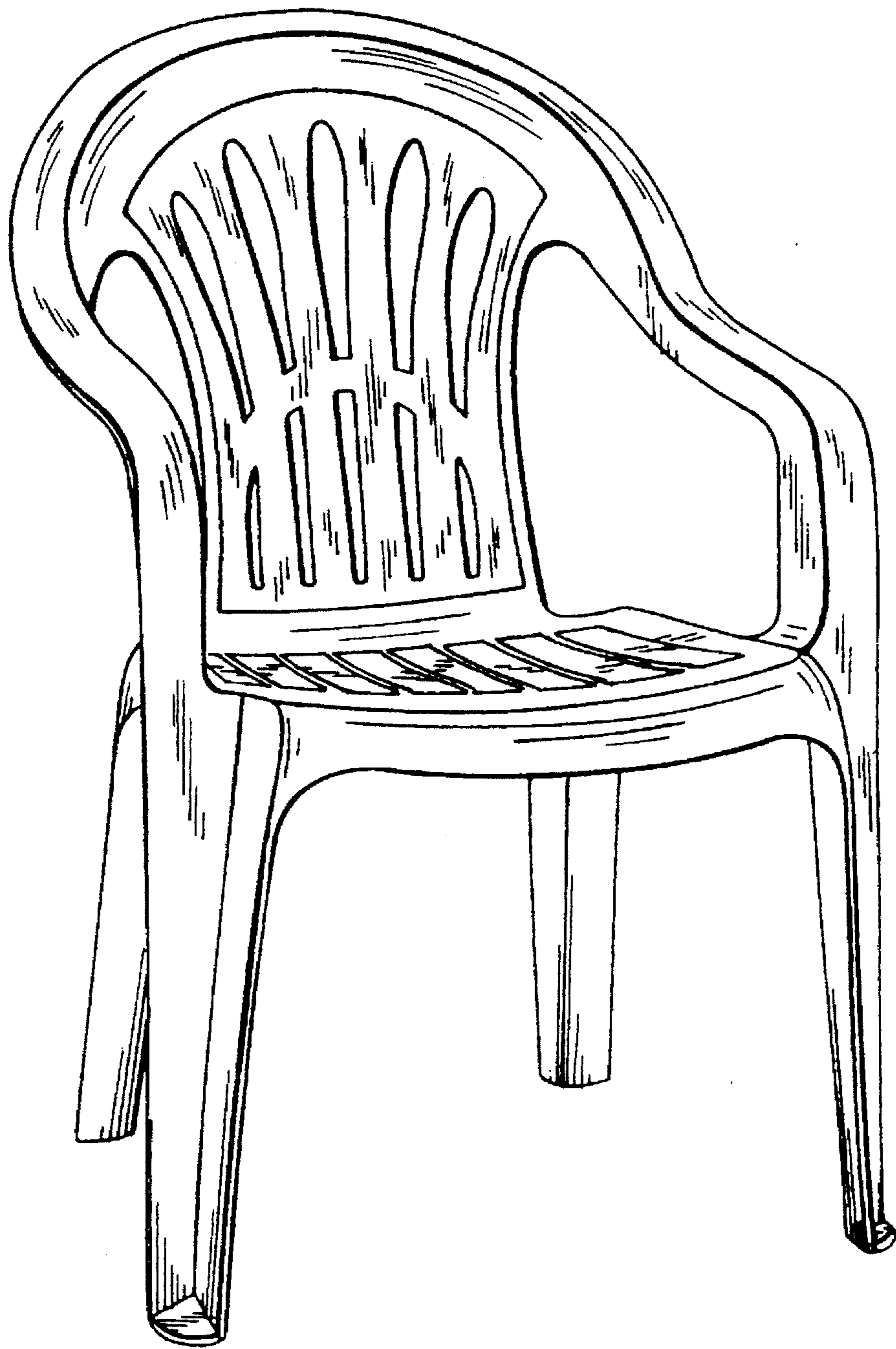


FIG. 1



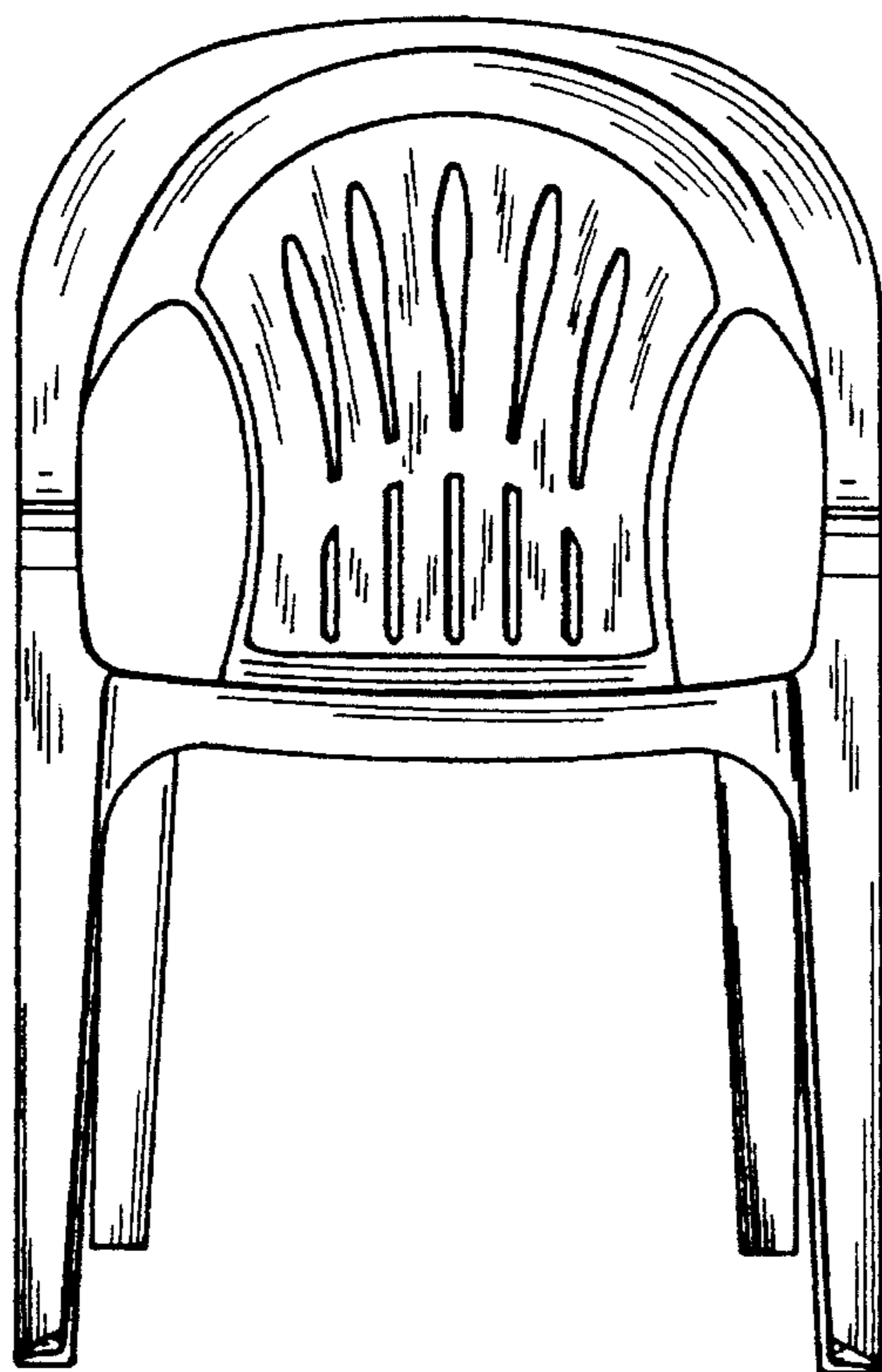


FIG. 2

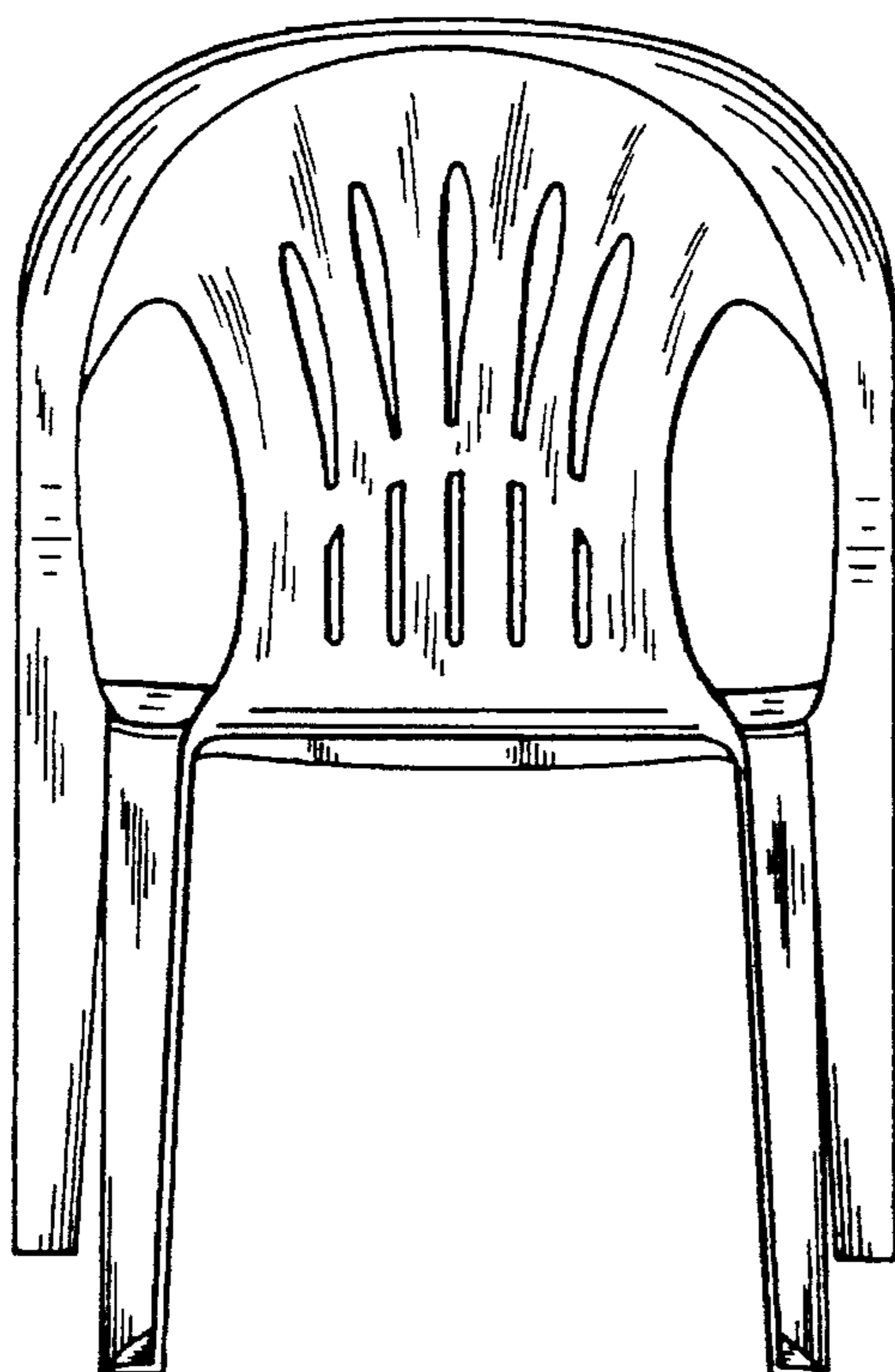


FIG. 3

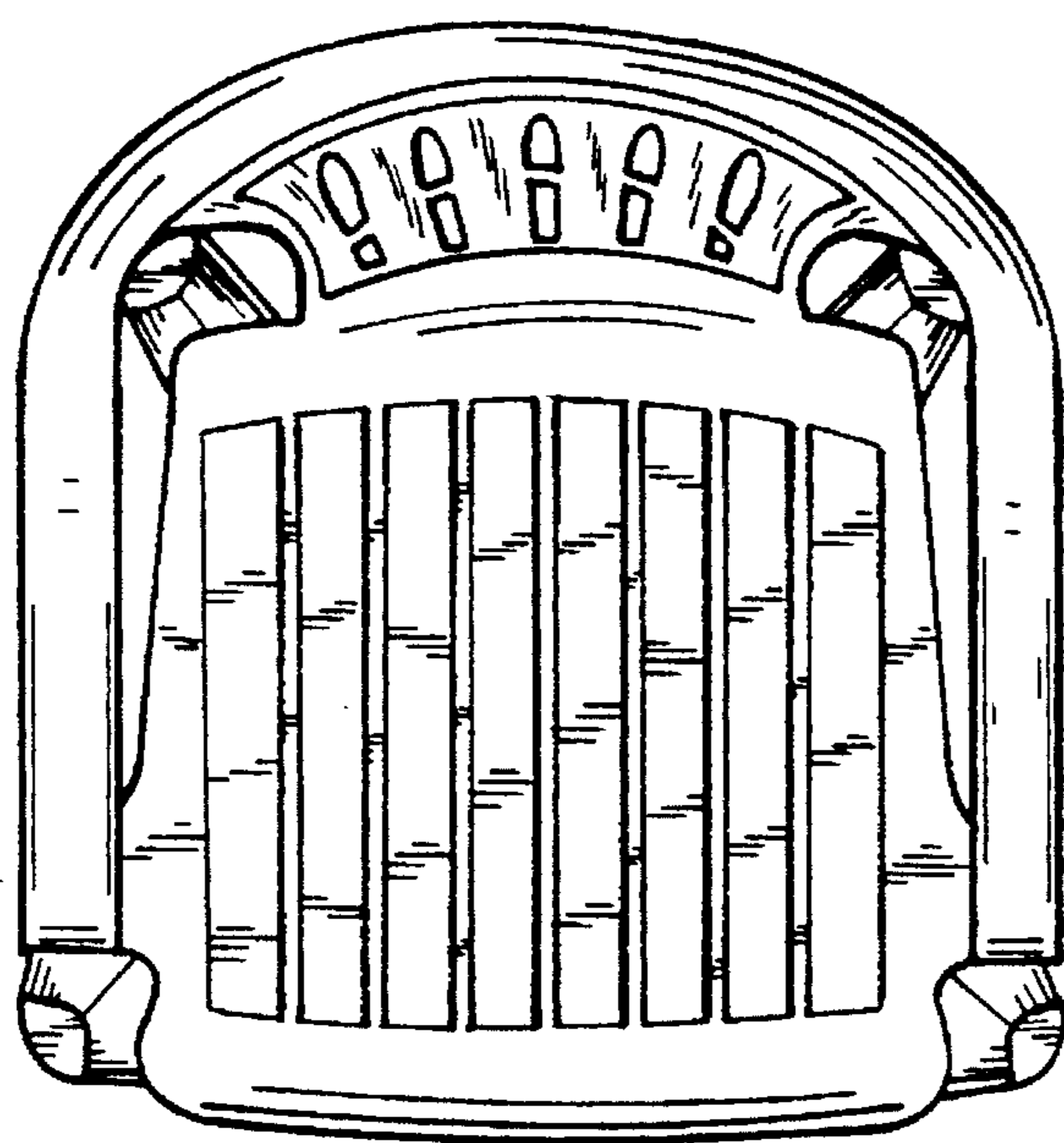


FIG. 4

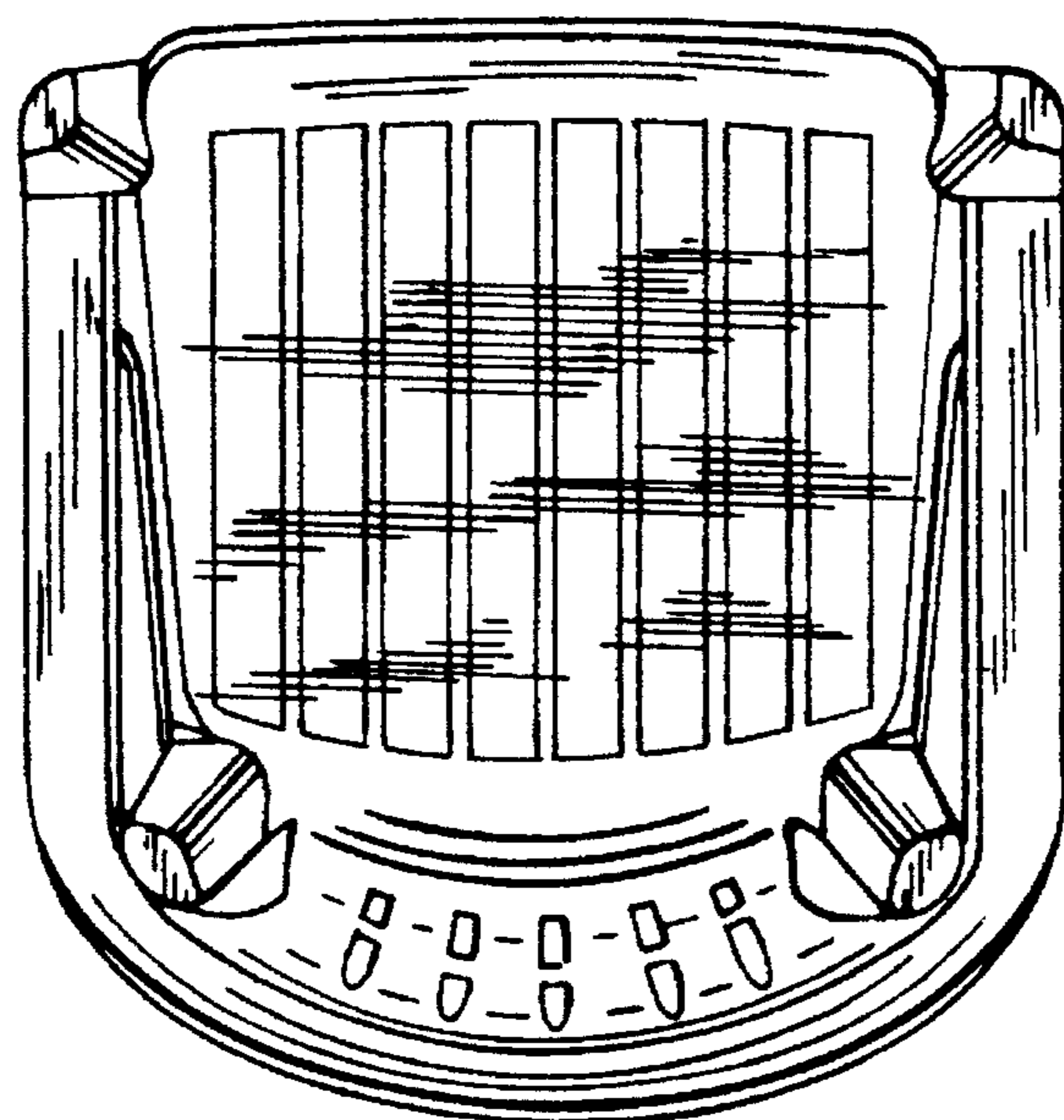


FIG. 5

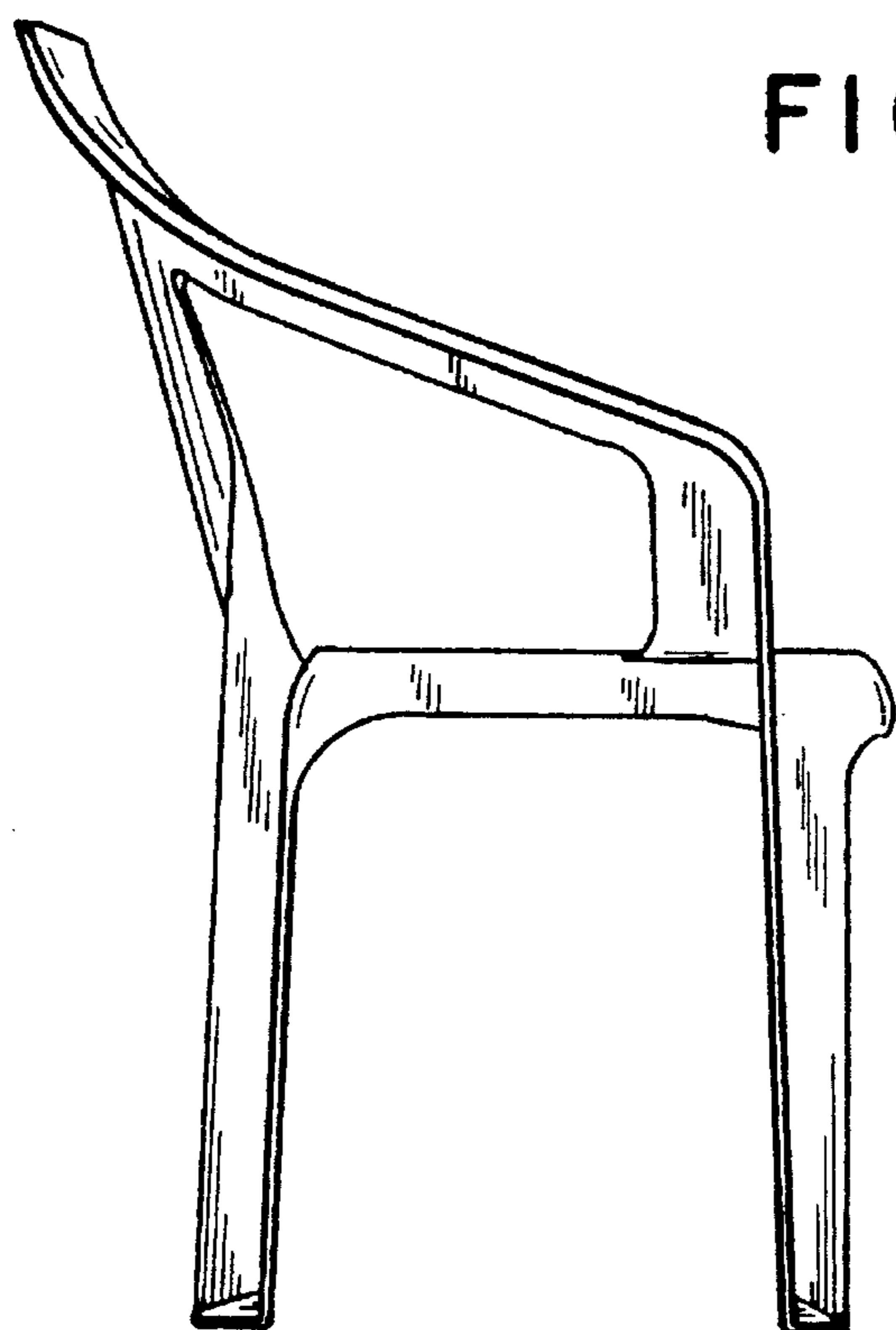


FIG. 6

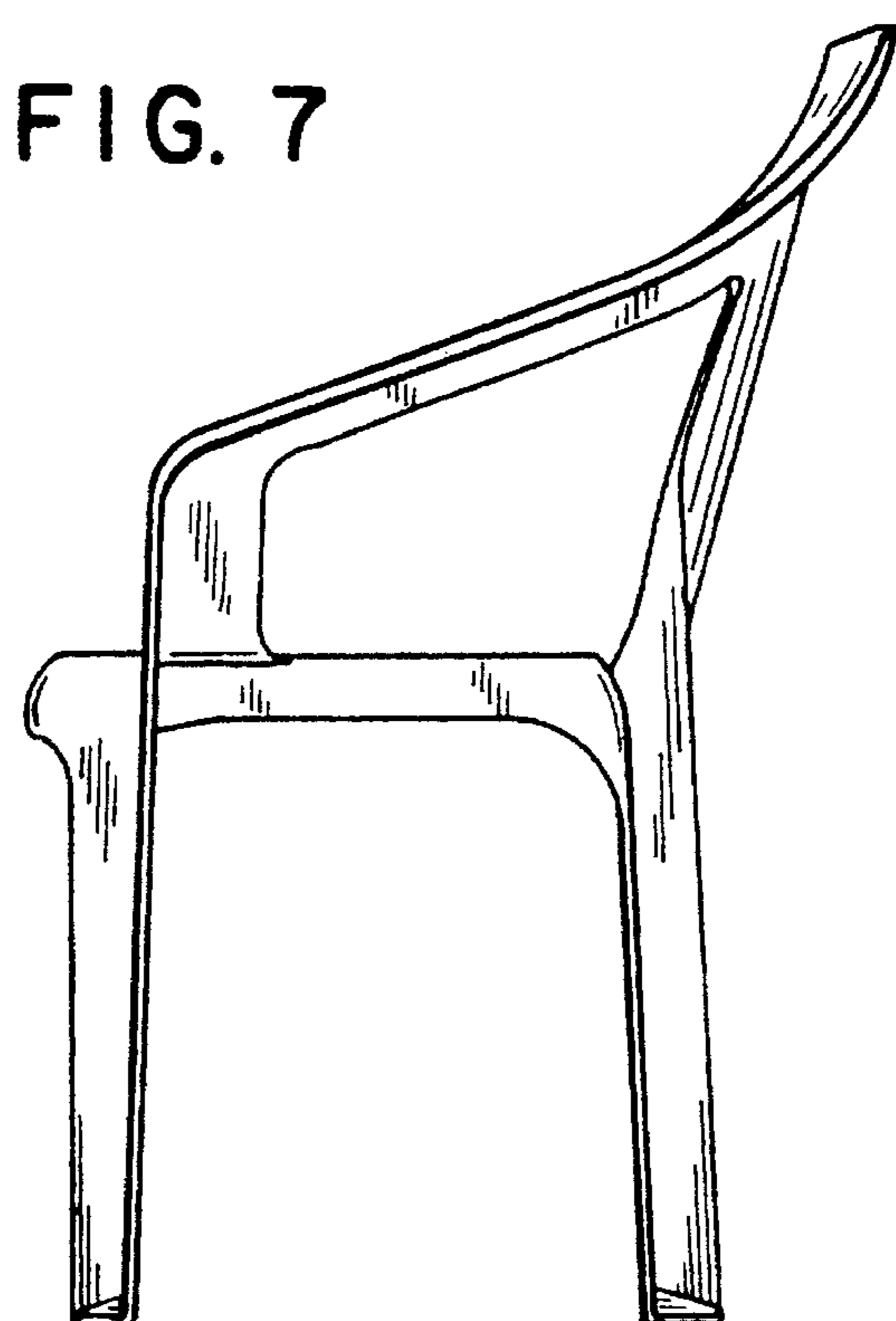


FIG. 7