



US00D373253S

United States Patent [19] Maple

[11] Patent Number: **Des. 373,253**

[45] Date of Patent: ****Sep. 3, 1996**

[54] **ARM CHAIR WITH ORNAMENTAL BACK**

[75] Inventor: **Drew Maple**, Alexandria, Ind.

[73] Assignee: **Resin Partners, Inc.**, Alexandria, Ind.

[**] Term: **14 Years**

[21] Appl. No.: **44,545**

[22] Filed: **Sep. 26, 1995**

[52] U.S. Cl. **D6/358; D6/379**

[58] Field of Search D6/334, 358, 370,
D6/374, 375, 376, 379, 380, 500, 501,
502; 297/239, 451.12

D. 338,347	8/1993	Hubert	D6/370
D. 342,849	1/1994	Grosfillex	D6/502
D. 361,902	9/1995	Van Skiver	D6/370
D. 361,903	9/1995	Van Skiver	D6/370
D. 362,759	10/1995	Sagol	D6/370

Primary Examiner—James M. Gandy
Assistant Examiner—Gary D. Watson
Attorney, Agent, or Firm—Miller & Martin

[57] CLAIM

The ornamental design for an arm chair with ornamental back, as shown and described.

DESCRIPTION

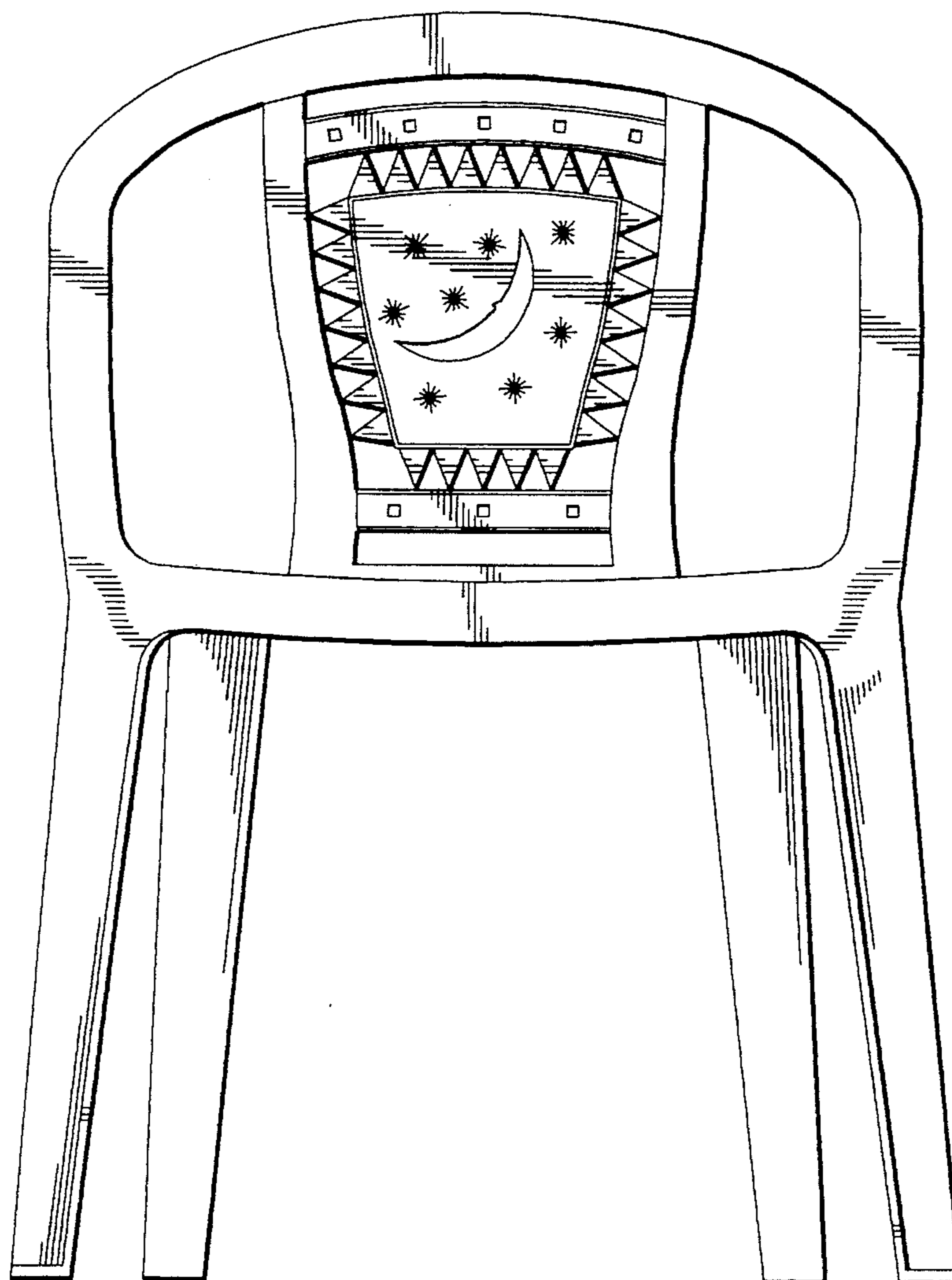
FIG. 1 is a front elevation view of the arm chair with ornamental back;
FIG. 2 is a rear elevation view;
FIG. 3 is a top plan view;
FIG. 4 is an under plan view; and,
FIG. 5 is a side elevation view, the view from each side being identical mirror images of the other.

1 Claim, 3 Drawing Sheets

[56] References Cited

U.S. PATENT DOCUMENTS

D. 234,240	2/1975	Noda et al.	D6/379
D. 328,679	8/1992	Grosfillex	D6/502
D. 328,827	8/1992	Grosfillex	D6/370
D. 329,339	9/1992	Grosfillex	D6/370
D. 330,291	10/1992	Grosfillex	D6/370
D. 331,323	12/1992	Grosfillex	D6/370



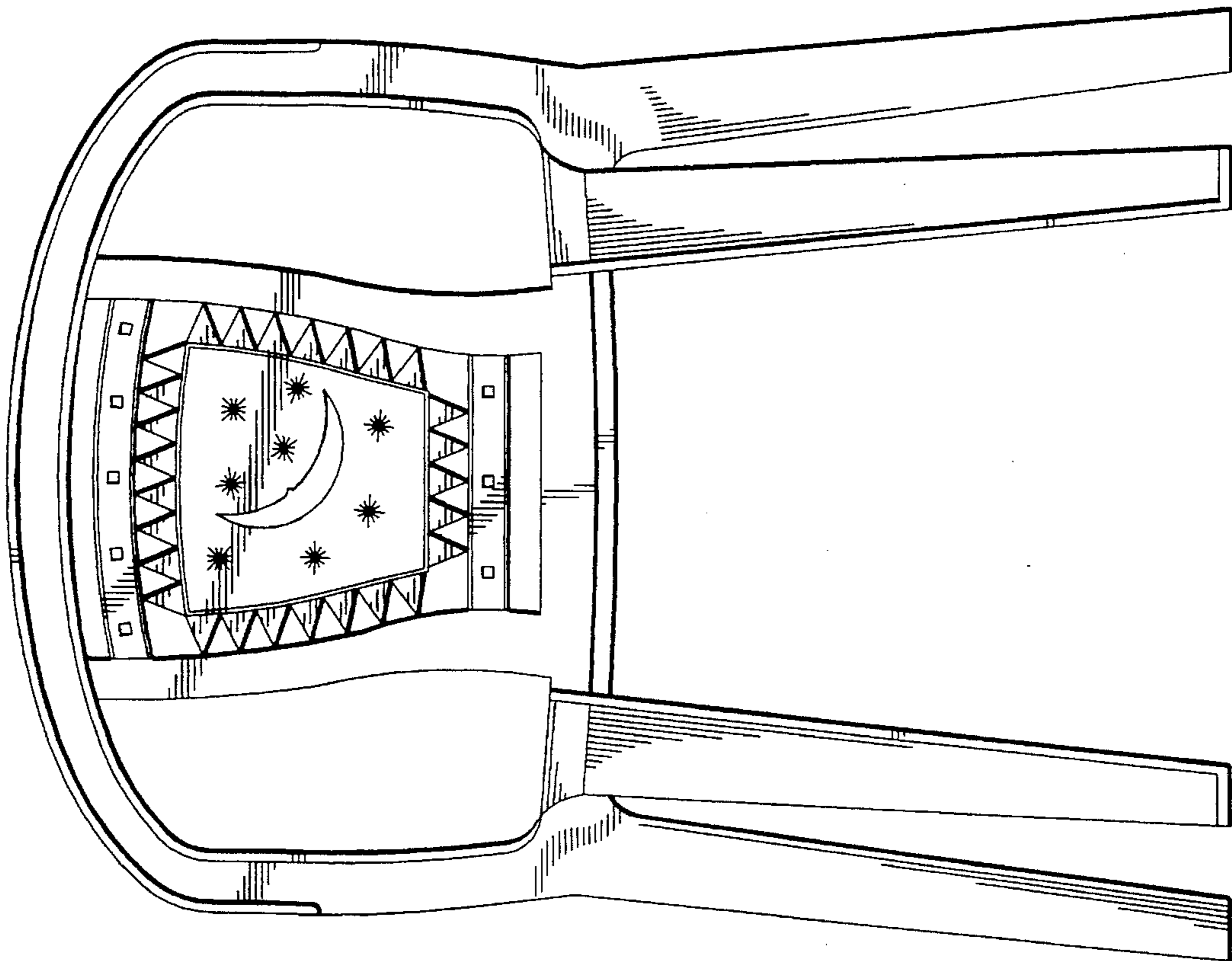


FIG 2

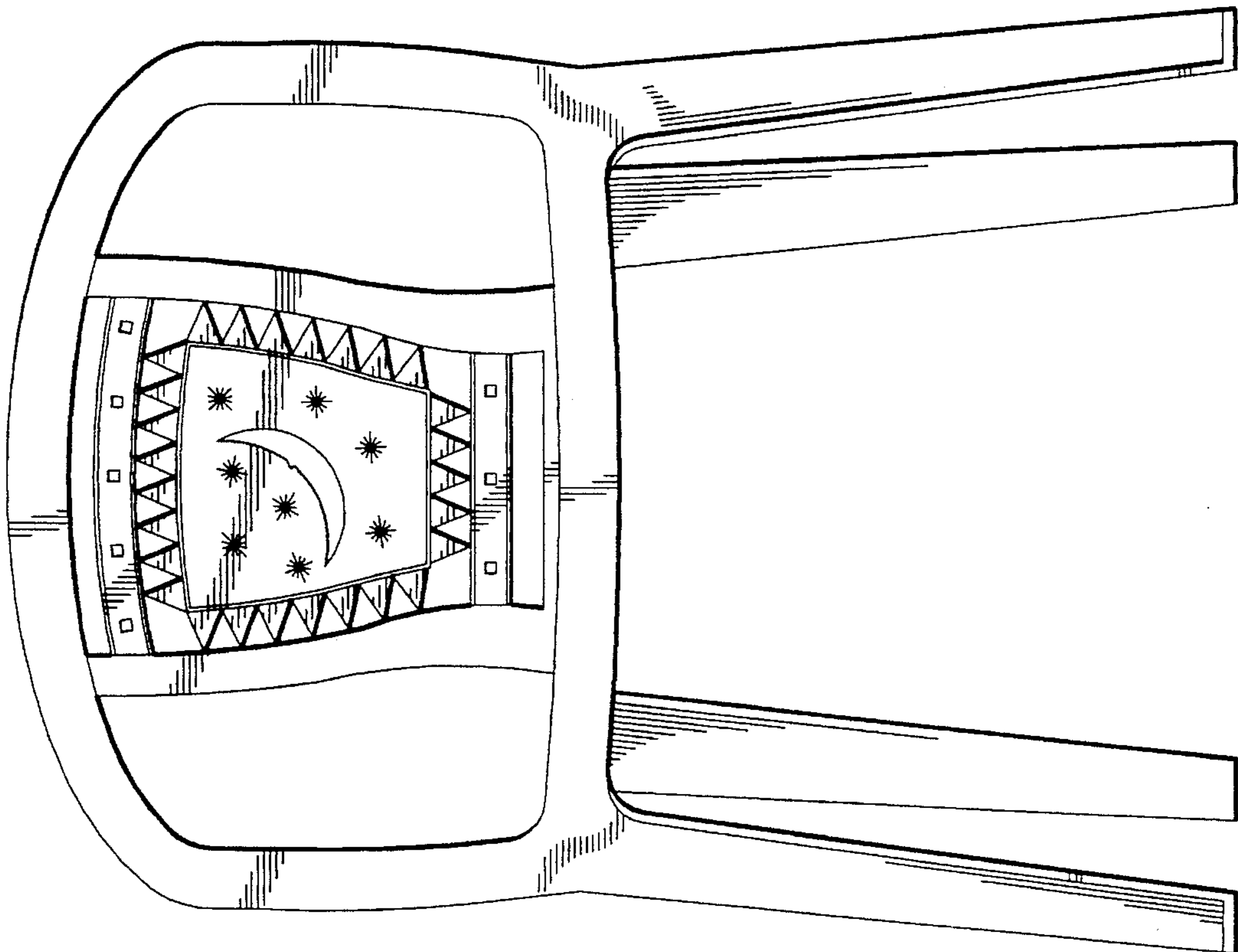


FIG 1

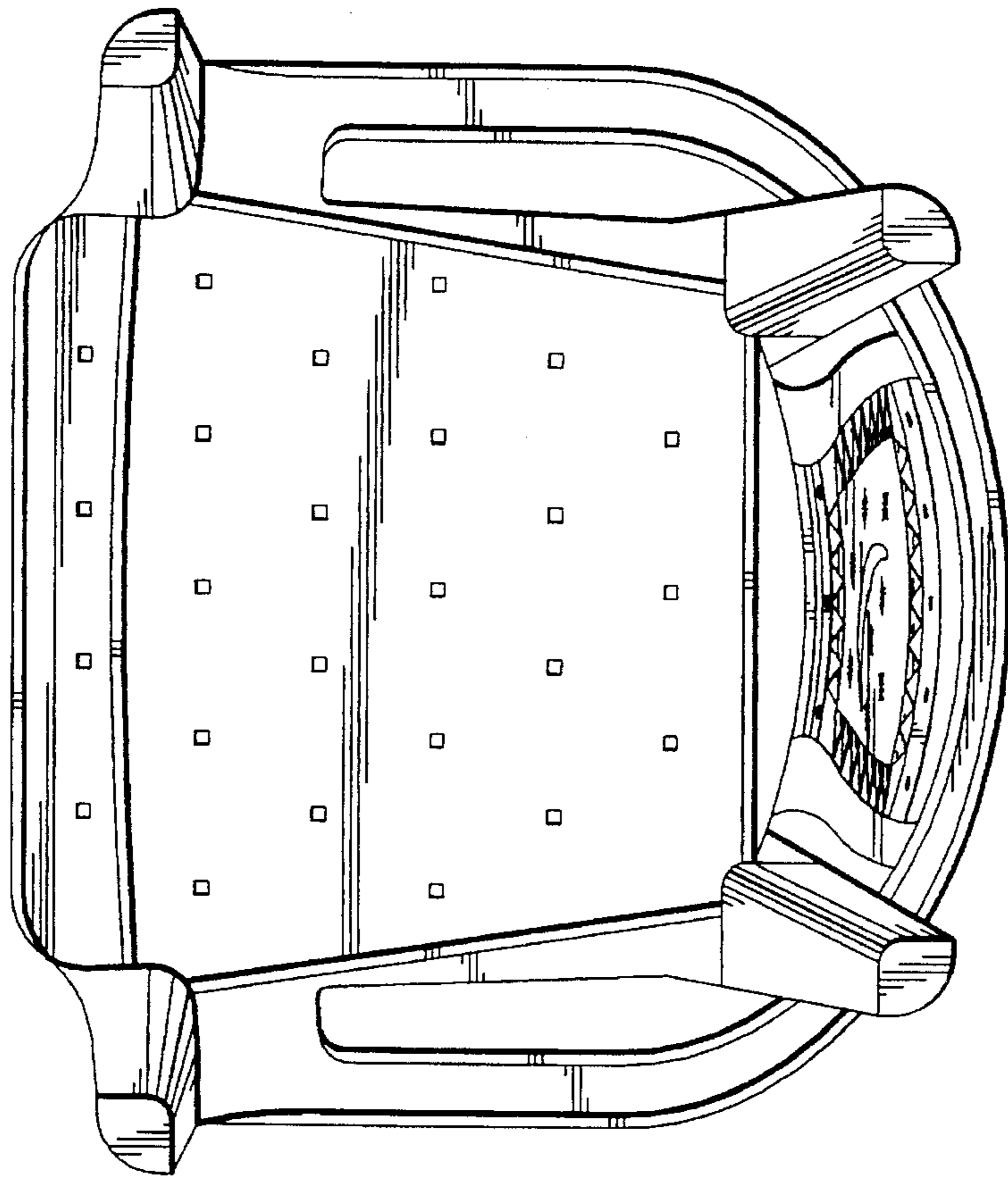


FIG 4

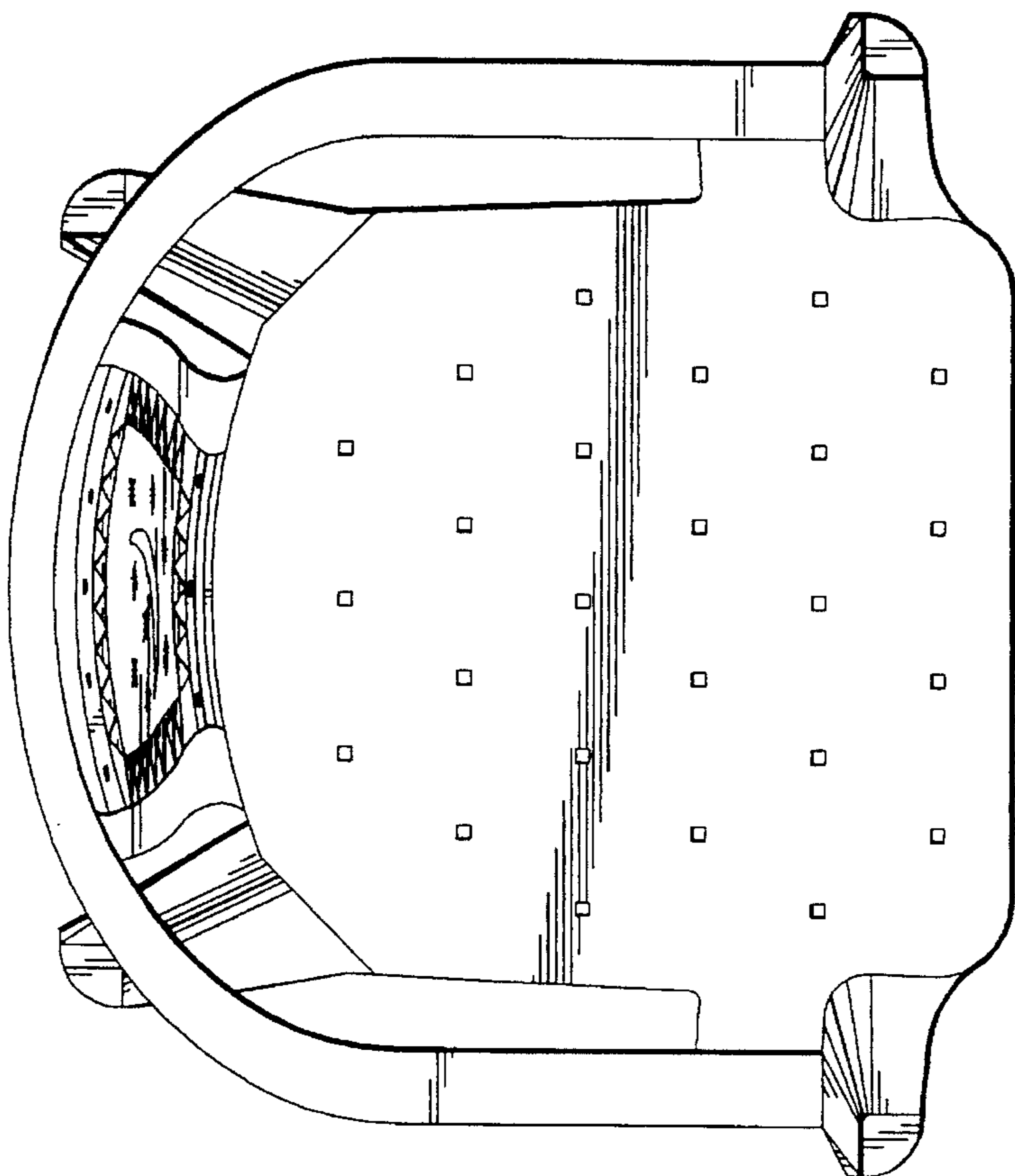


FIG 3

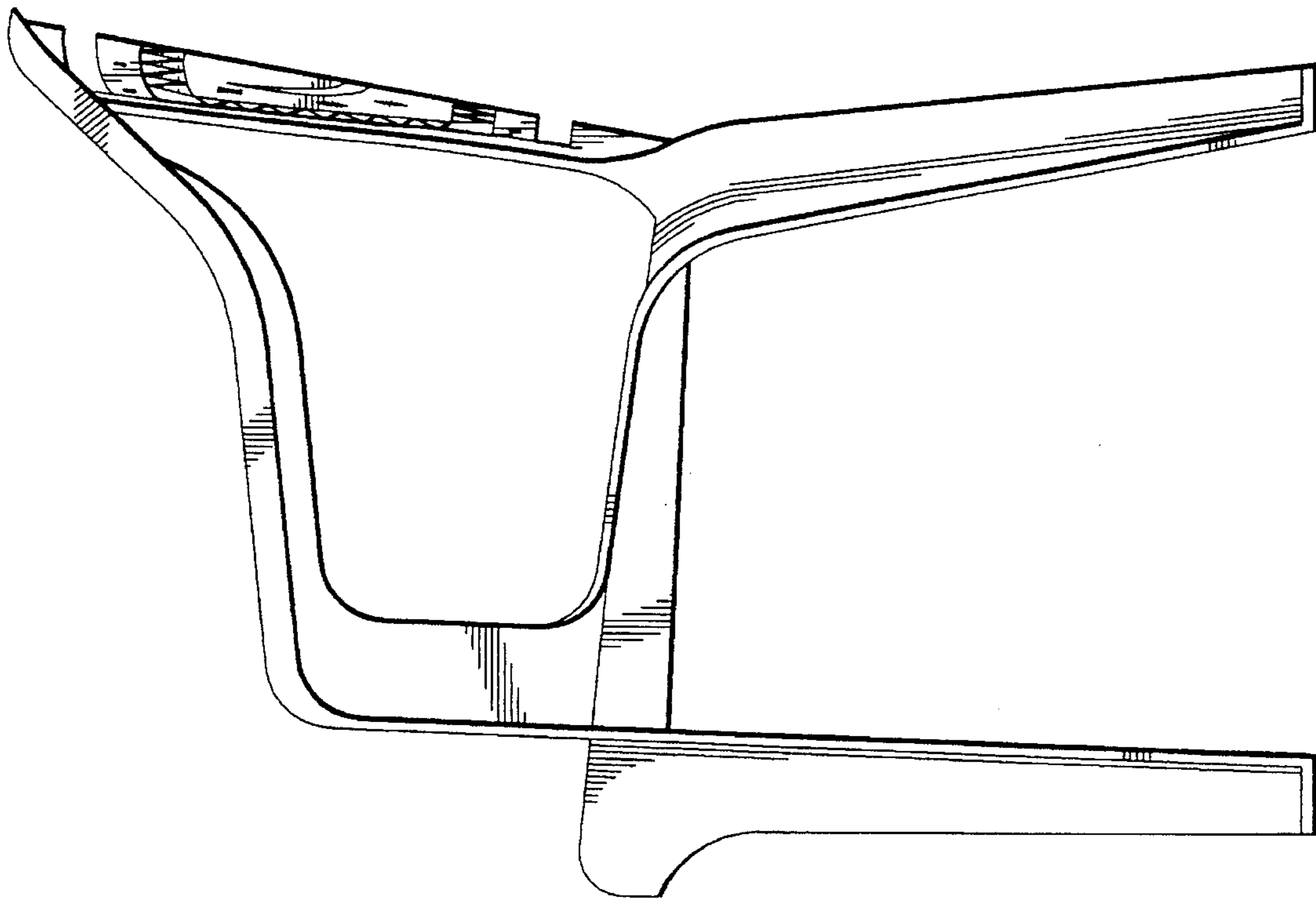


FIG 5