



US00D373251S

United States Patent [19]
Young

[11] **Patent Number:** **Des. 373,251**
[45] **Date of Patent:** ****Sep. 3, 1996**

[54] **FIXED HANDLE ICE SCRAPER AND SNOW BRUSH COMBINATION**

[75] Inventor: **Michael W. K. Young**, Flushing, N.Y.
[73] Assignee: **Injectron Corporation**, Plainfield, N.J.
[**] Term: **14 Years**

[21] Appl. No.: **32,845**

[22] Filed: **Dec. 29, 1994**

[52] U.S. Cl. **D4/118**; D4/129; D32/42

[58] **Field of Search** D4/116, 118, 129,
D4/130, 134, 138; D32/40, 42, 46, 48,
49; 15/105, 111, 117, 143.1, 159.1, 160,
236.01, 236.02, 236.08

[56] **References Cited**

U.S. PATENT DOCUMENTS

D. 258,779 4/1981 Hopkins et al. D4/118
D. 337,436 7/1993 Hopkins D4/118

D. 346,903 5/1994 Hillmer D4/118

Primary Examiner—A. Hugo Word
Assistant Examiner—Lavone D. Tabor
Attorney, Agent, or Firm—Amster, Rothstein & Ebenstein

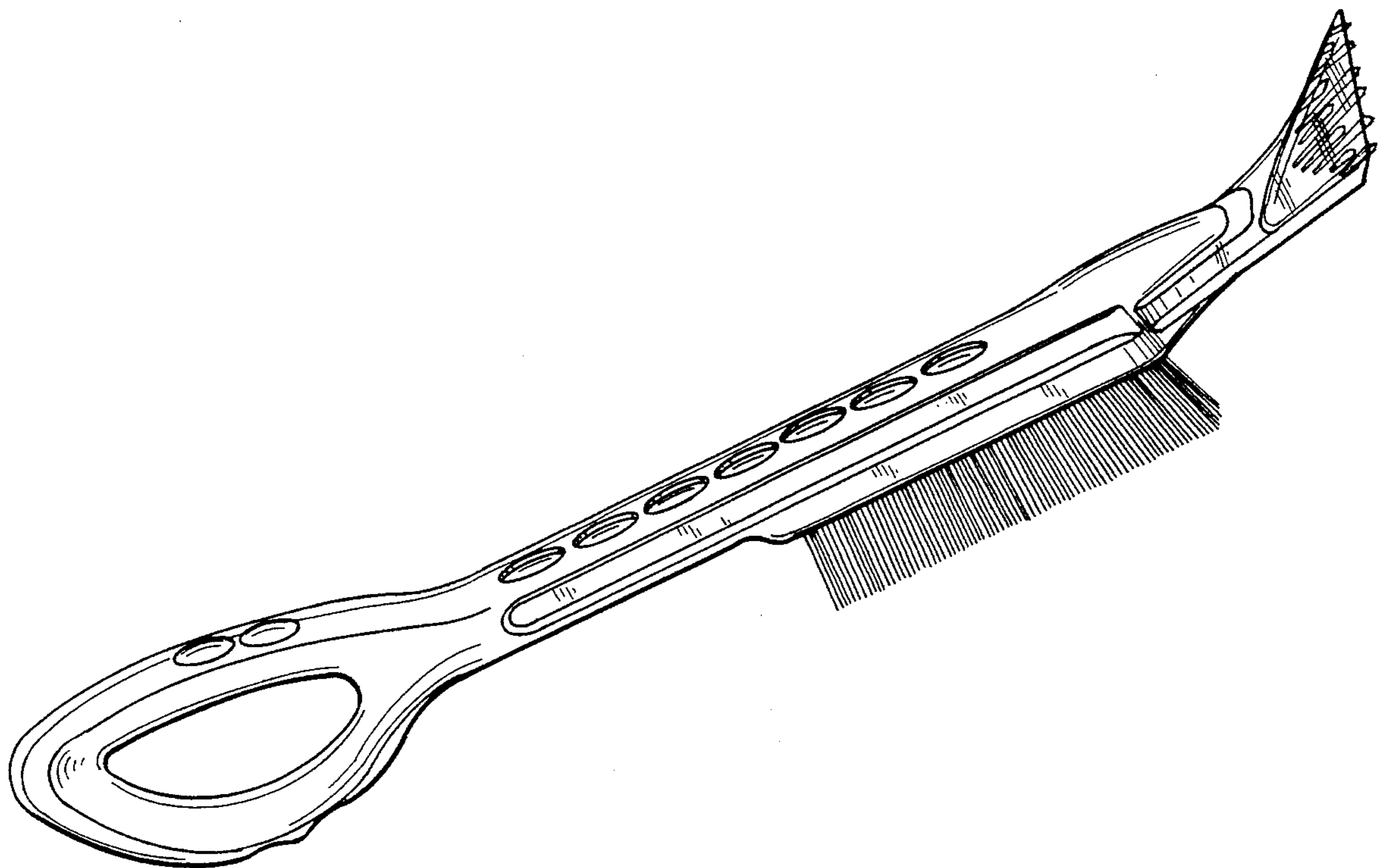
[57] **CLAIM**

The ornamental design for a fixed handle ice scraper and snow brush combination, as shown and described.

DESCRIPTION

FIG. 1 is a top prospective view of a fixed handle ice scraper and snow brush combination showing my new design;
FIG. 2 is a front elevational view, the rear elevational view being the mirror image thereof;
FIG. 3 is a top plan view;
FIG. 4 is a bottom plan view;
FIG. 5 is an enlarged left side elevational view; and,
FIG. 6 is an enlarged right side elevational view thereof.

1 Claim, 3 Drawing Sheets



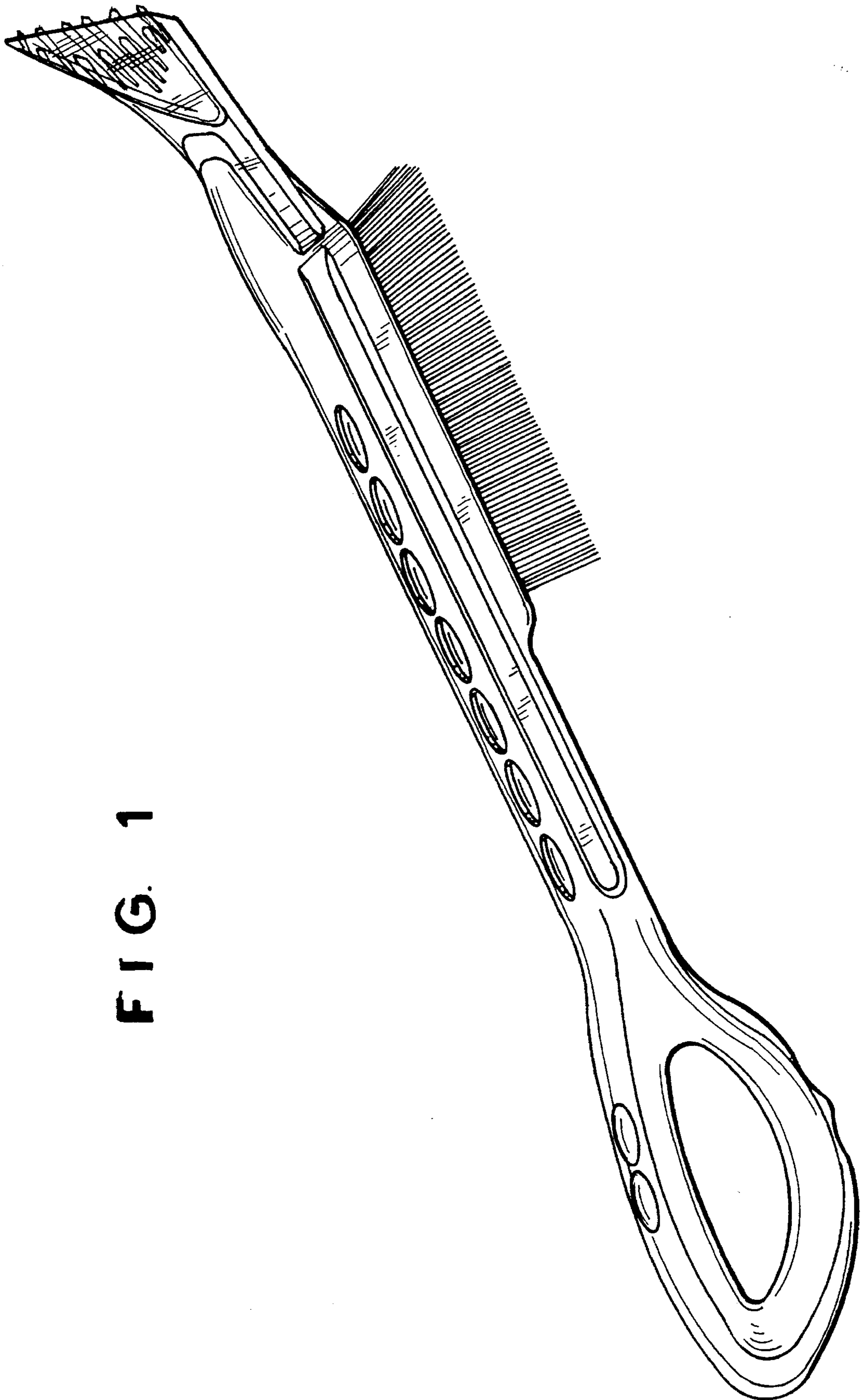


FIG. 1

FIG. 2

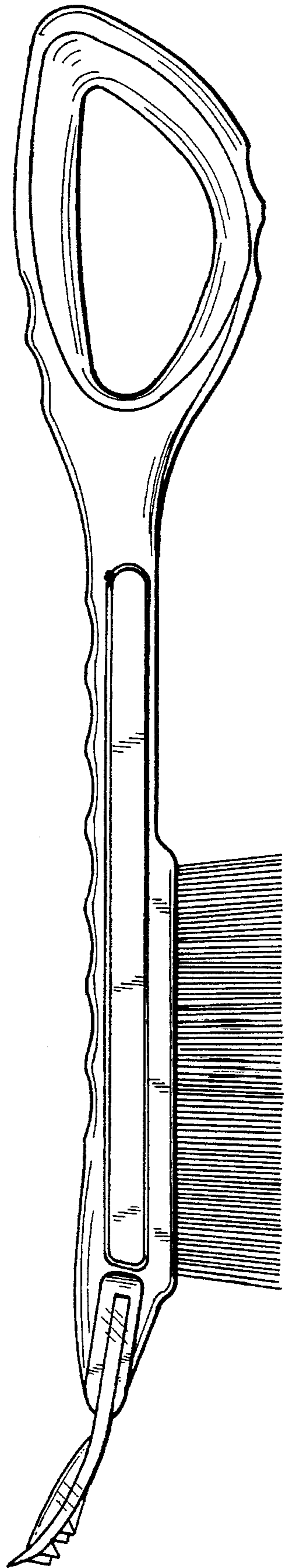


FIG. 3

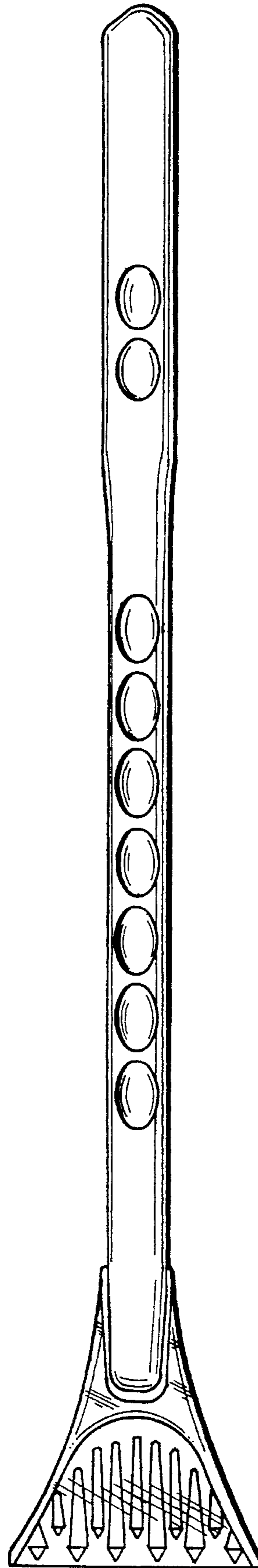


FIG. 4

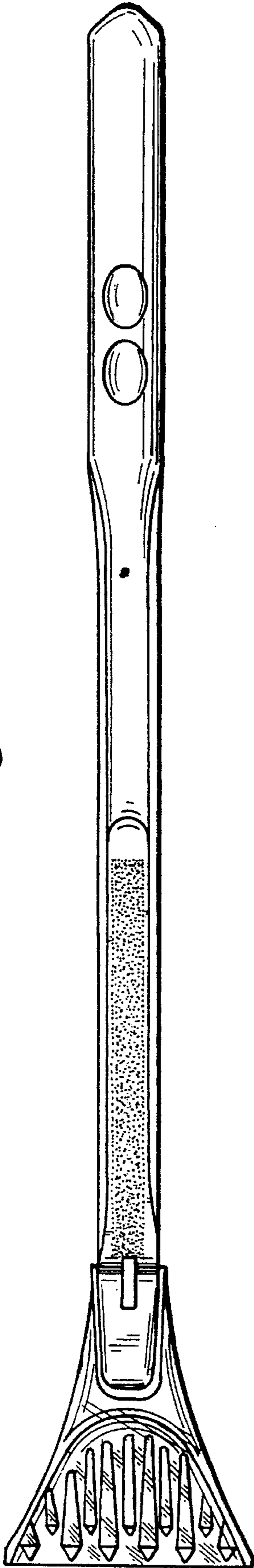


FIG. 6

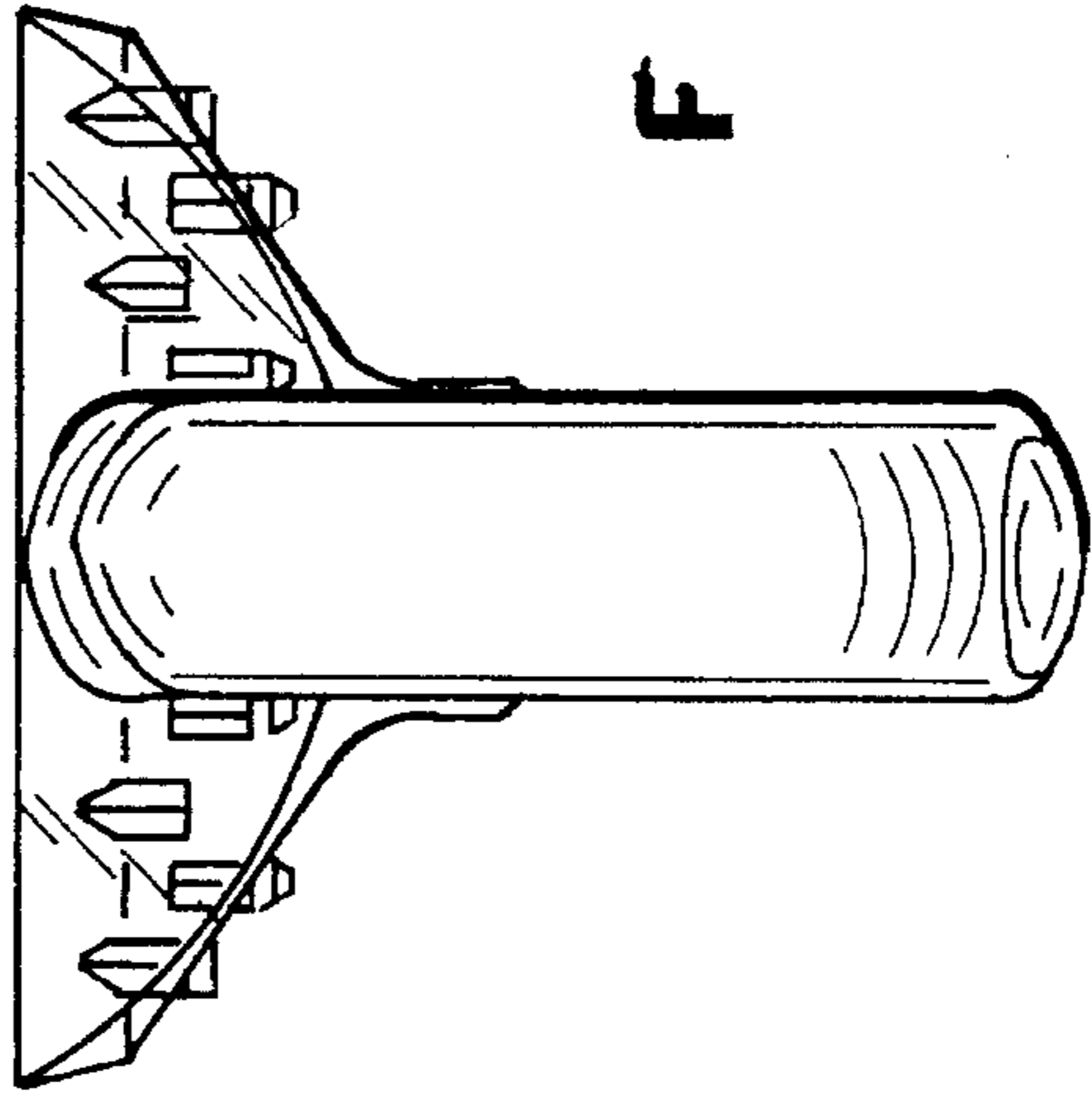


FIG. 5

