



US00D373249S

**United States Patent** [19]  
**Richardson**

[11] **Patent Number:** **Des. 373,249**  
[45] **Date of Patent:** **\*\*Sep. 3, 1996**

[54] **LOCKING COVER FOR SUITCASES**

[76] **Inventor:** **Leonard Richardson**, 7016 Crabapple  
La. #6, Kansas City, Mo. 64129

[\*\*] **Term:** **14 Years**

[21] **Appl. No.:** **32,304**

[22] **Filed:** **Dec. 15, 1994**

[52] **U.S. Cl.** ..... **D3/321; D3/319; D3/326**

[58] **Field of Search** ..... 190/25, 26, 107,  
190/109, 110, 111, 112, 116, 118, 902;  
150/100, 112, 119, 127, 147, 151; D3/201,  
230, 242, 273, 276, 279, 284, 288, 289,  
290, 299, 303, 315, 318, 319, 321, 323,  
326, 900; 206/38, 305, 372, 373, 806; 220/306,  
404; 383/4, 6, 26, 38, 40, 75, 76, 84, 86,  
110, 119

[56] **References Cited**

**U.S. PATENT DOCUMENTS**

D. 340,580	10/1993	Hirschy	.....	D3/321
1,522,479	1/1925	Aldrich	.....	190/26
2,724,467	11/1955	Jaffe	.	
3,875,771	4/1975	Reisner	.	

3,886,632	6/1975	Bako	.
3,901,360	8/1975	Cook	.
4,685,315	8/1987	Comolli	.
5,255,765	10/1993	Schrecongost	.

**FOREIGN PATENT DOCUMENTS**

65311 6/1914 Germany ..... 190/25

*Primary Examiner*—Louis S. Zarfaz  
*Assistant Examiner*—Monica A. Hannon  
*Attorney, Agent, or Firm*—Dennis H. Lambert

[57] **CLAIM**

The ornamental design for a locking cover for suitcases, as shown and described.

**DESCRIPTION**

FIG. 1 is a front, top and side perspective view of the locking cover for suitcases showing my new design;  
FIG. 2 is a front elevational view thereof;  
FIG. 3 is a rear elevational view thereof;  
FIG. 4 is a side elevational view thereof, the side opposite being a mirror image of the side shown in FIG. 4;  
FIG. 5 is a top plan view thereof; and,  
FIG. 6 is a bottom plan view thereof.

**1 Claim, 3 Drawing Sheets**

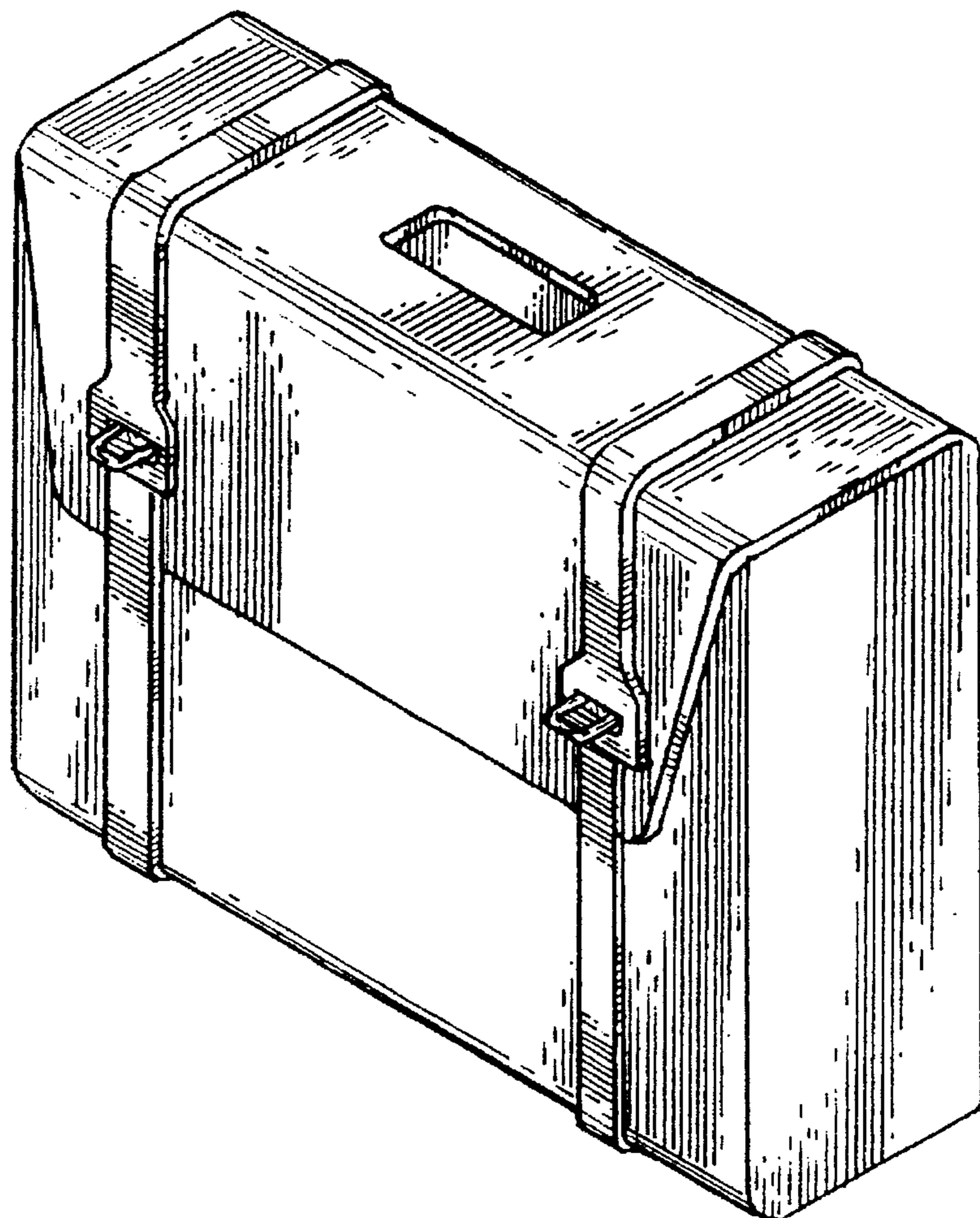


FIG. 1

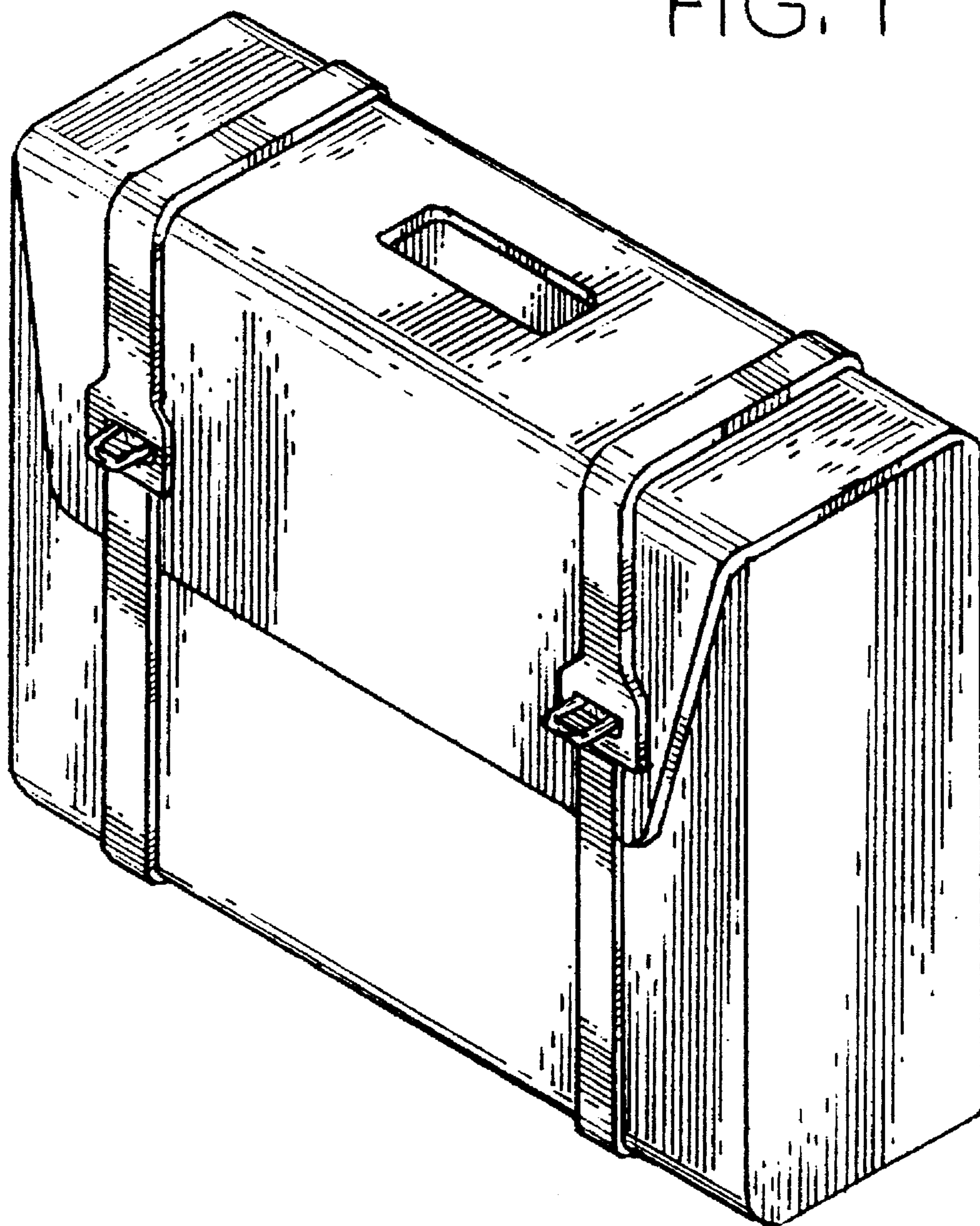


FIG. 2

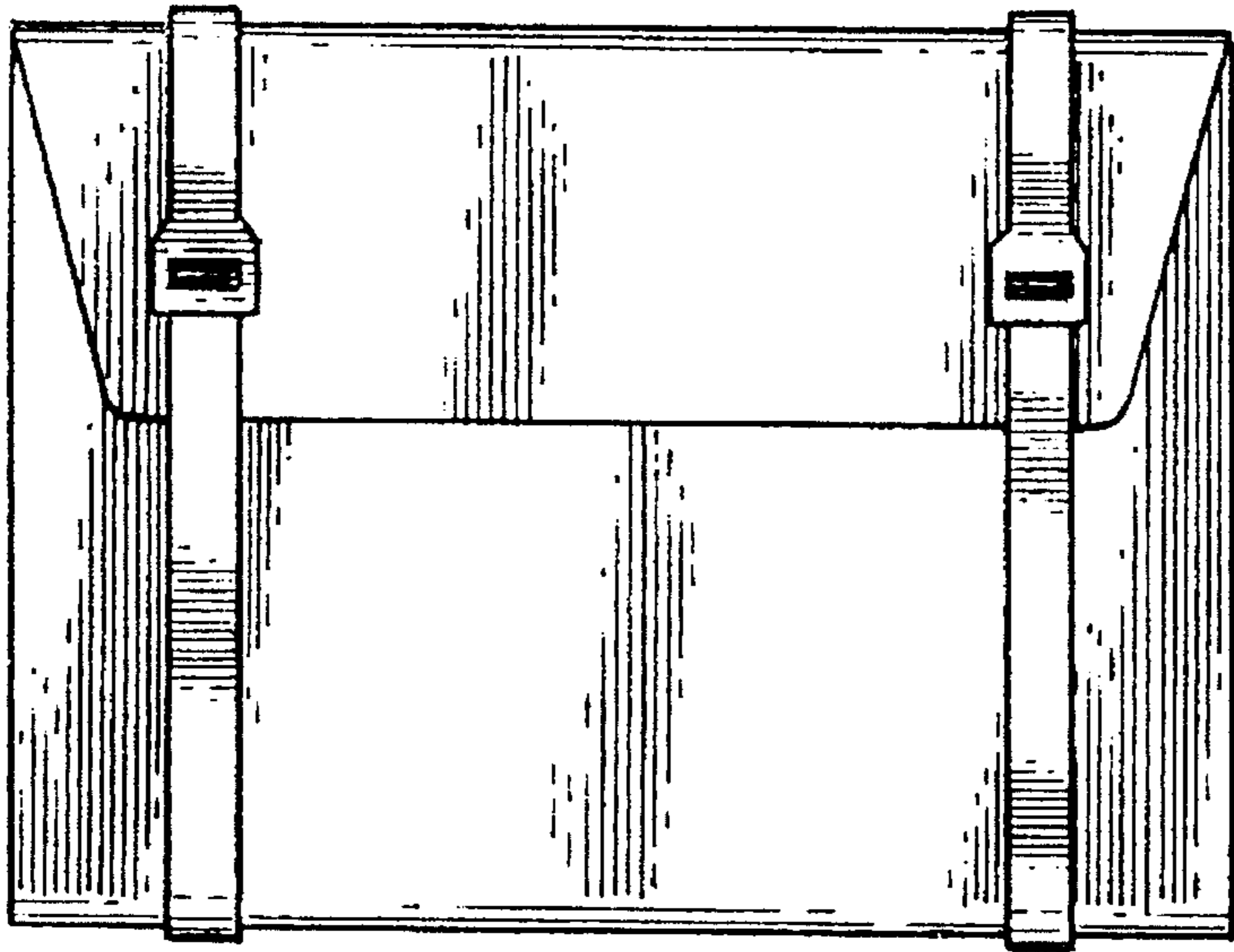


FIG. 4

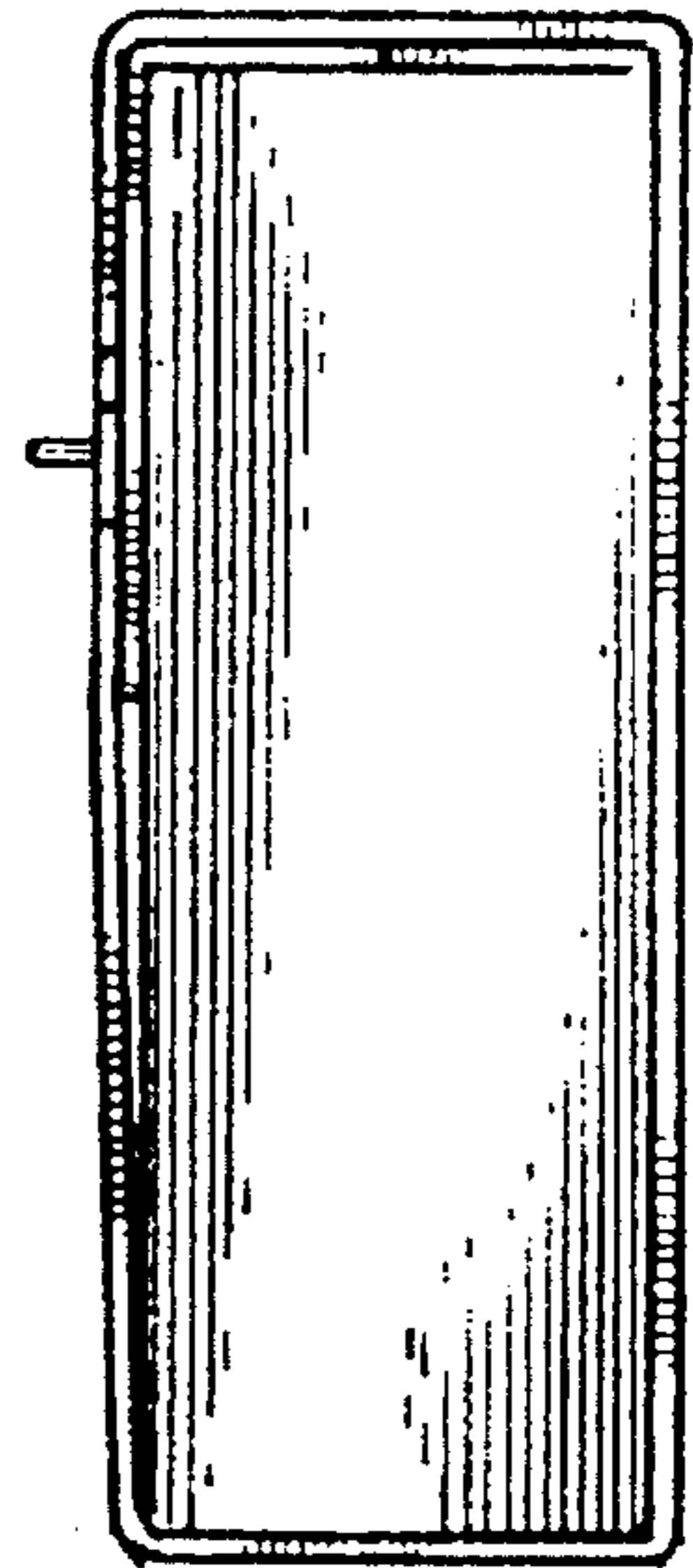


FIG. 3

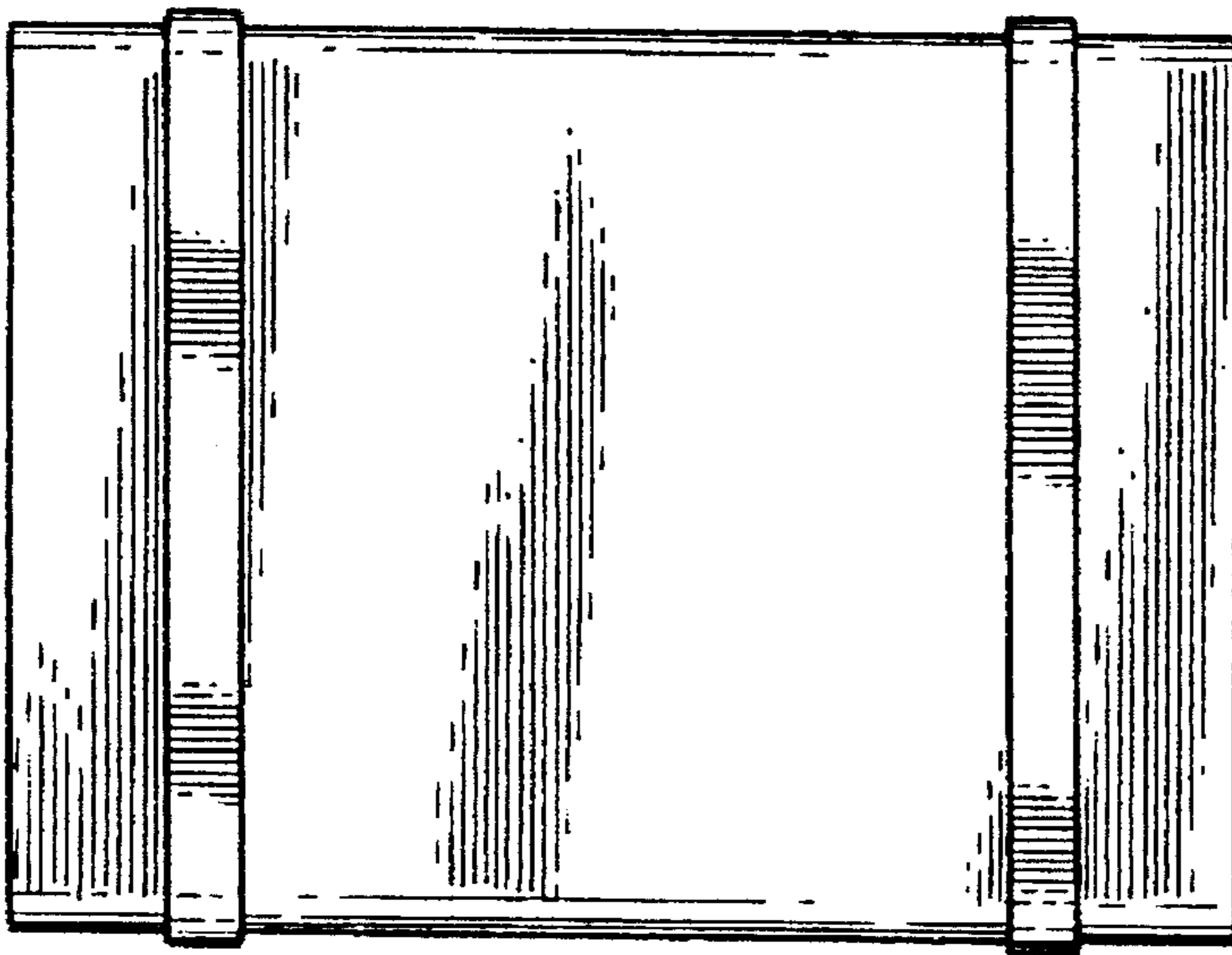


FIG. 5

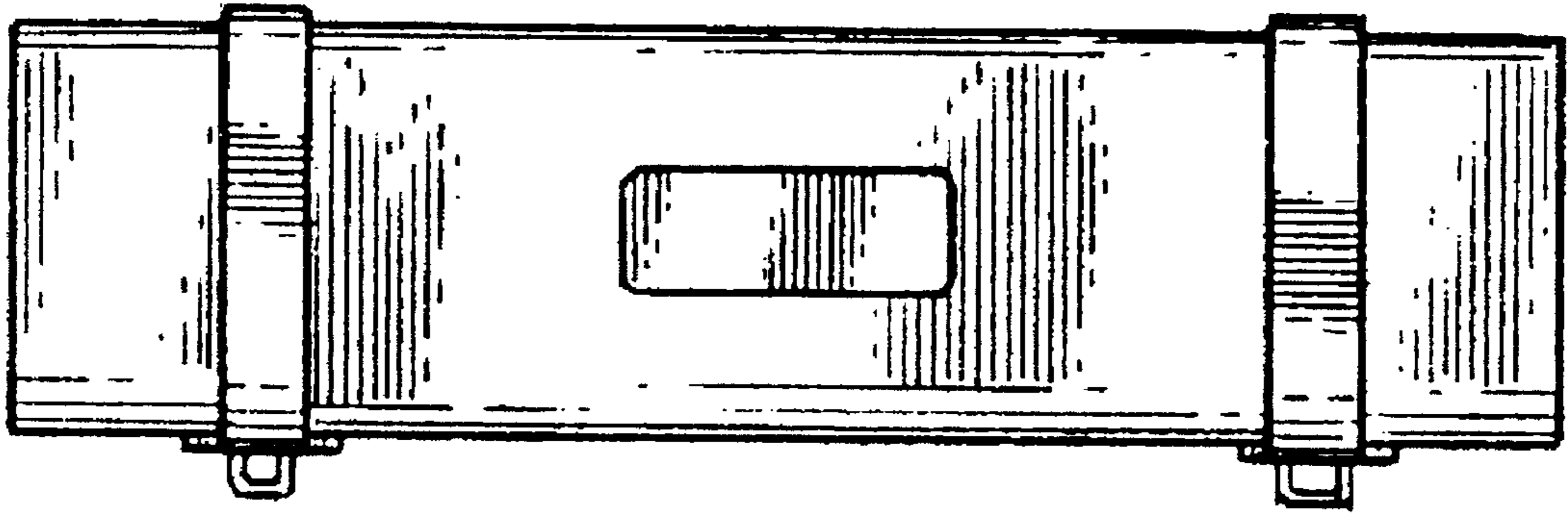


FIG. 6

