



US00D373248S

United States Patent [19]

[11] Patent Number: **Des. 373,248**

Wang

[45] Date of Patent: ****Sep. 3, 1996**

[54] **SUITCASE BRACKET**

5,452,778 9/1995 Wang 190/18 A

[76] Inventor: **King-sheng Wang**, No. 17, Lane 116,
Ta An Gan Rd., Tachia Chen, Taichung
Hsien, Taiwan

Primary Examiner—Philip S. Hyder
Attorney, Agent, or Firm—Morton J. Rosenberg; David I.
Klein

[**] Term: **14 Years**

[57] CLAIM

[21] Appl. No.: **36,509**

The ornamental design for a suitcase bracket, as shown and
described.

[22] Filed: **Mar. 22, 1995**

[52] U.S. Cl. **D3/318**

[58] Field of Search D3/276, 318, 279;
190/18 A, 115; 16/115; 280/37

DESCRIPTION

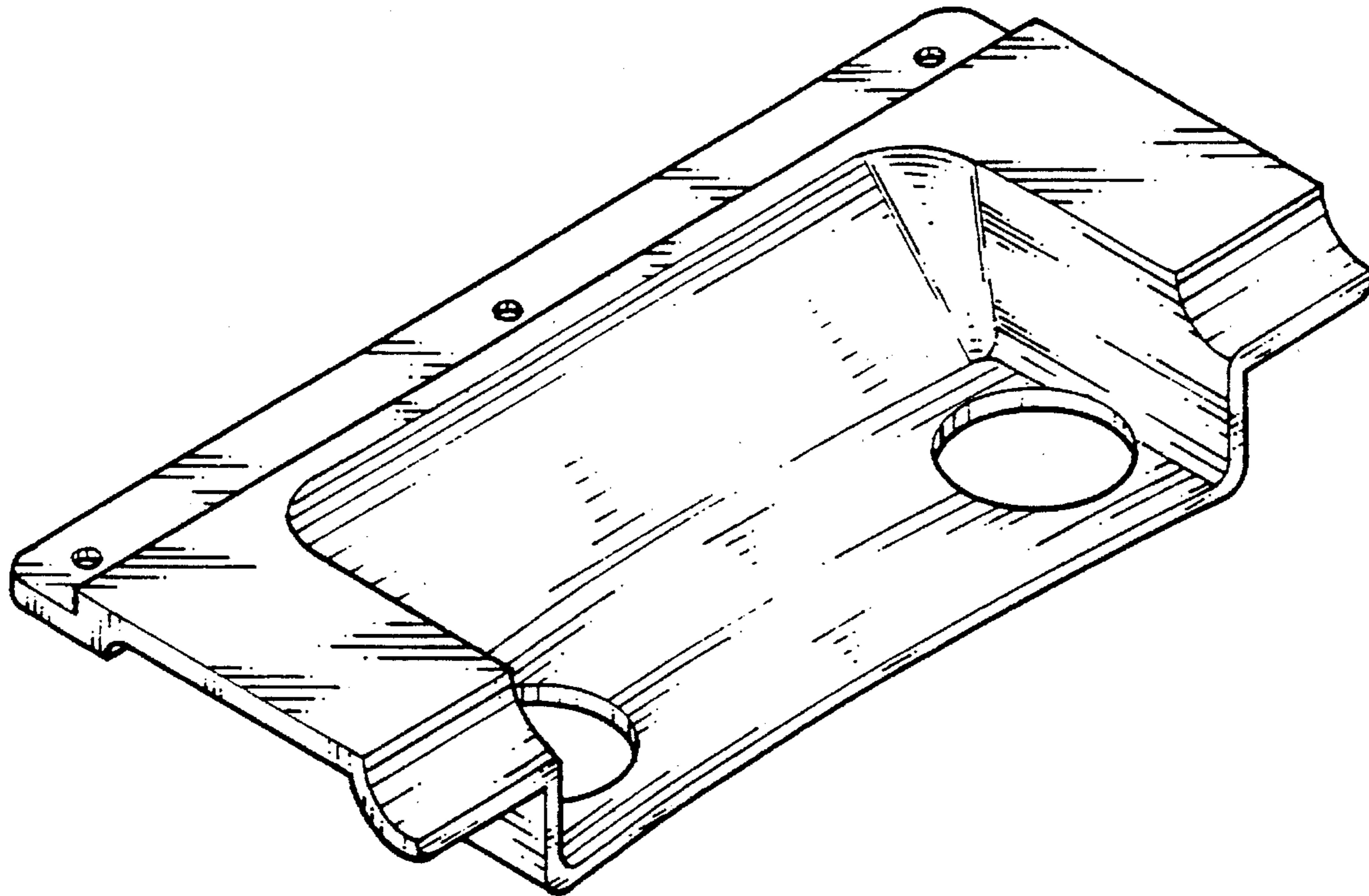
[56] References Cited

U.S. PATENT DOCUMENTS

D. 270,017	8/1983	DiDonna	D3/279
D. 354,397	1/1995	Berman	D3/281
D. 357,354	4/1995	Marchwiak et al.	D3/276
5,368,143	11/1994	Pond	190/18 A
5,431,428	7/1995	Marchwiak et al.	190/18 A
5,433,461	7/1995	Chang	190/18 A
5,447,217	9/1995	Chou	190/18 A

FIG. 1 is a front-left-top perspective view of a suitcase
bracket, showing my new design;
FIG. 2 is a front elevational view thereof;
FIG. 3 is a rear elevational view thereof;
FIG. 4 is a left side elevational view thereof;
FIG. 5 is a right side elevational view thereof;
FIG. 6 is a top plan view thereof;
FIG. 7 is a bottom plan view thereof; and,
FIG. 8 is a perspective view thereof in a reduced scale
wherein the broken lines are shown for illustrative purposes
only and form no part of the claimed design.

1 Claim, 7 Drawing Sheets



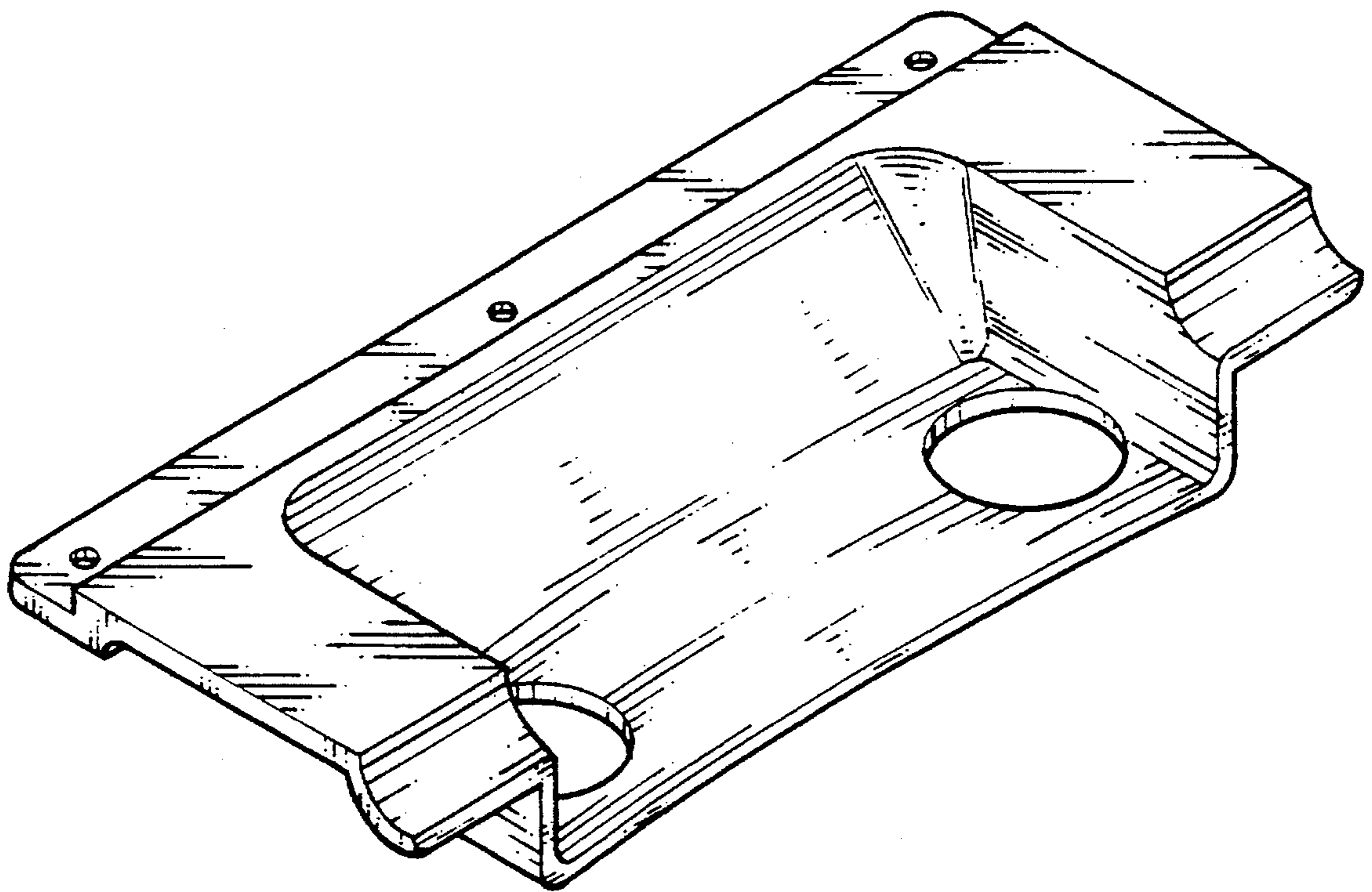


FIG . 1

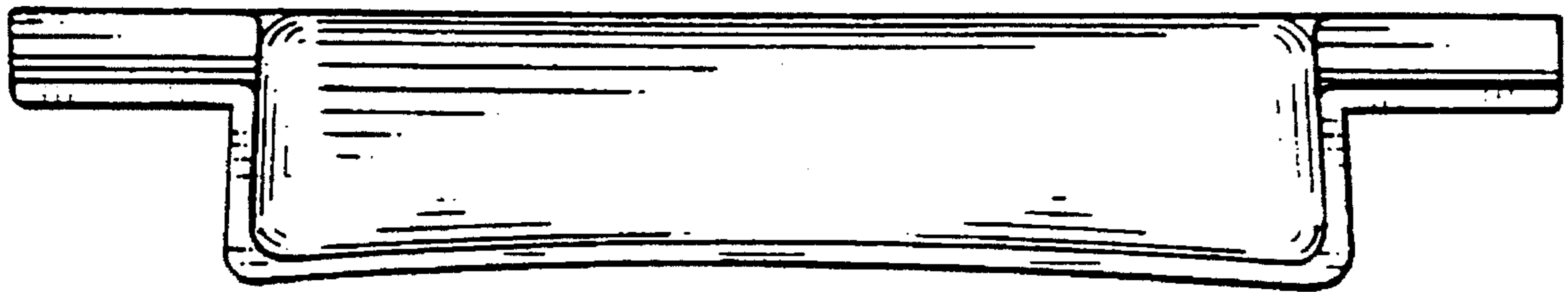


FIG. 2

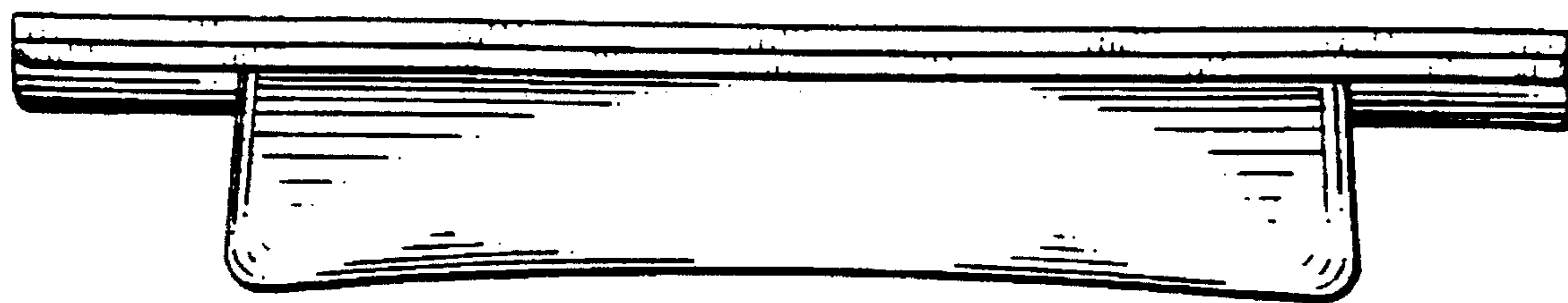


FIG. 3

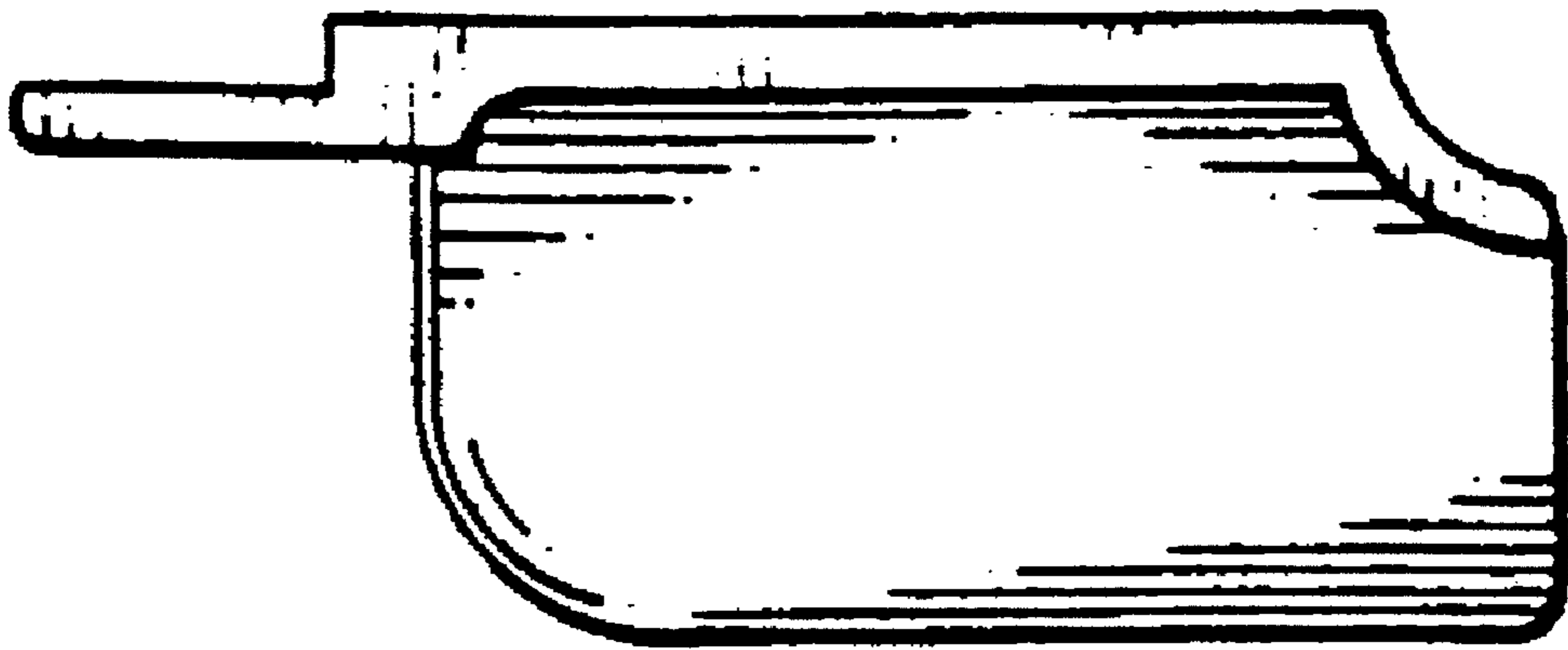


FIG. 4

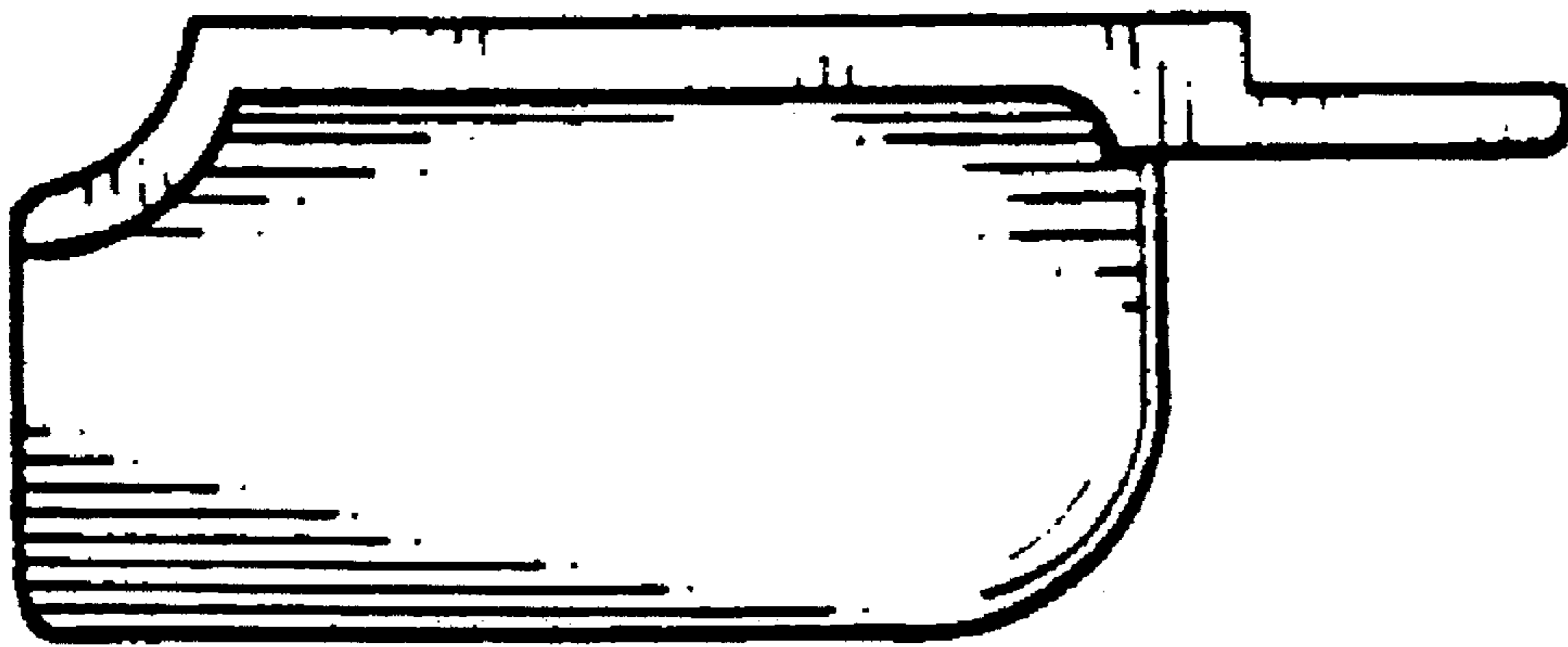


FIG. 5

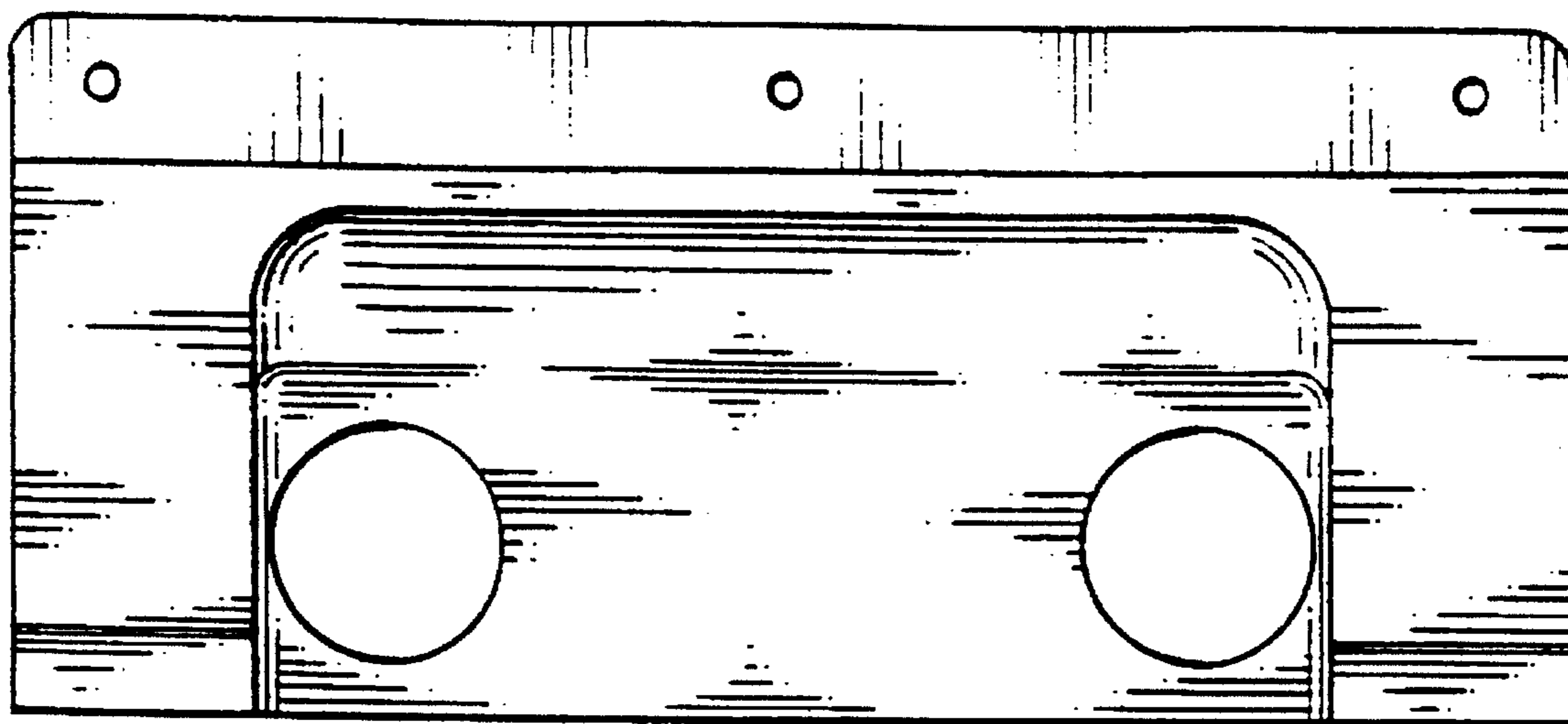


FIG. 6

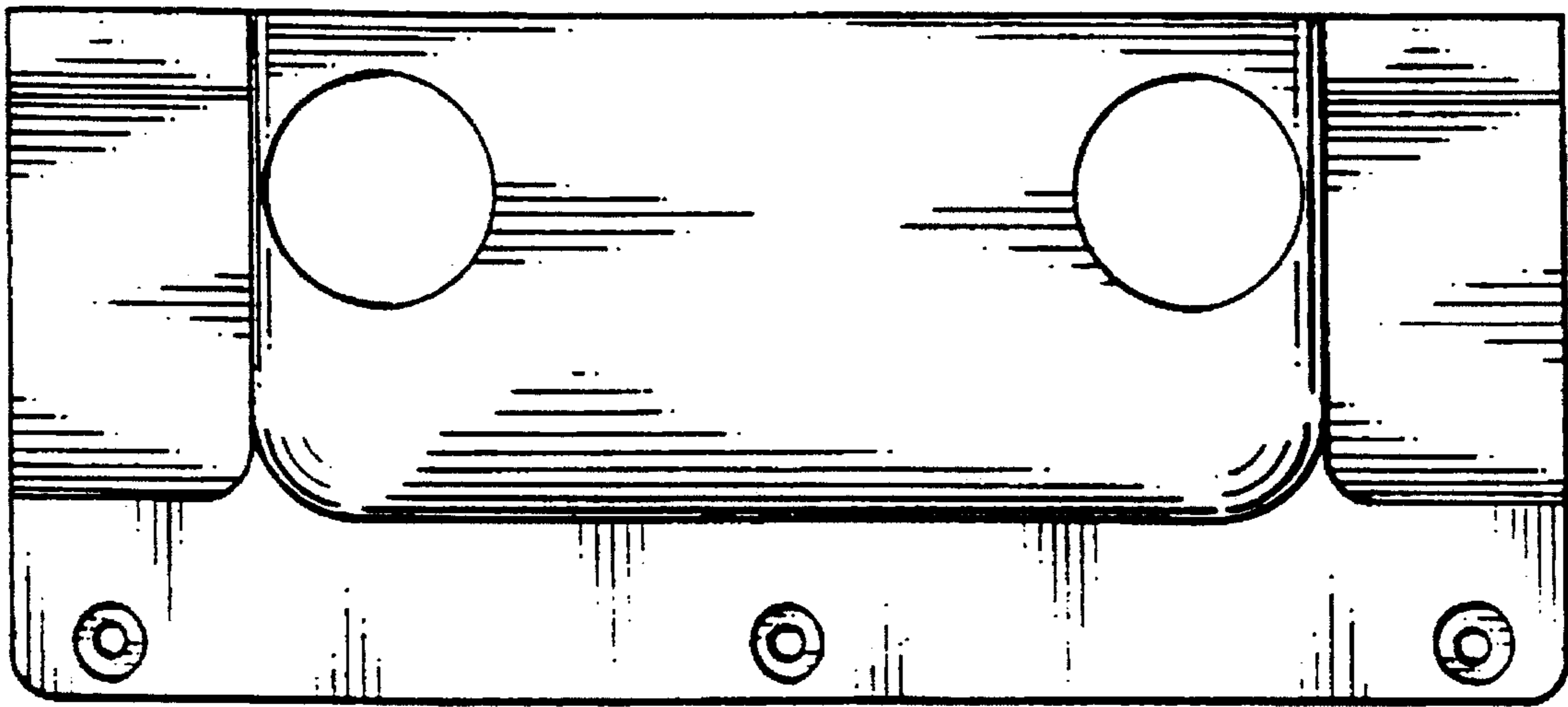


FIG. 7

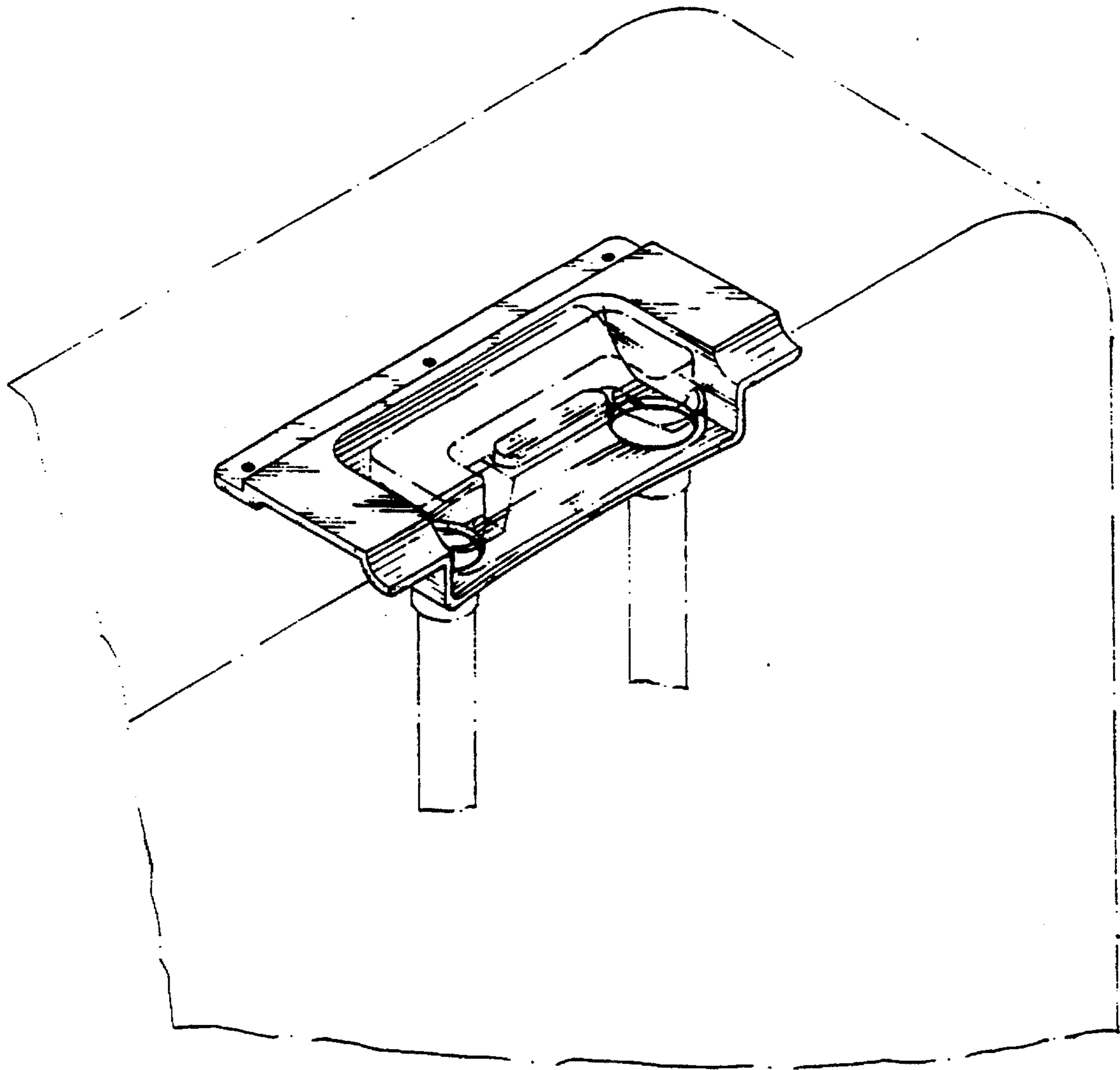


FIG. 8