



US00D373247S

United States Patent [19]

[11] Patent Number: **Des. 373,247**

Dickinson et al.

[45] Date of Patent: ****Sep. 3, 1996**

[54] **WORKBOX**

[75] Inventors: **Thomas Dickinson; Bradley D. Gale,**
both of St. Louis, Mo.

[73] Assignee: **Contico International, Inc.,** St. Louis,
Mo.

[**] Term: **14 Years**

[21] Appl. No.: **30,968**

[22] Filed: **Nov. 14, 1994**

[52] U.S. Cl. **D3/282; D3/281; D3/905;**
D9/424

[58] Field of Search **D3/272, 273, 276,**
D3/282, 905, 281; D7/605; D9/415, 420,
421, 422, 424, 425; 206/315.1, 508, 510;
224/241, 425, 555, 444, 449

[56] **References Cited**

U.S. PATENT DOCUMENTS

- D. 119,533 3/1940 Komenak .
- D. 122,030 8/1940 Plotkin .
- D. 180,166 4/1957 Wagner .
- D. 201,487 6/1965 De Vos .
- D. 202,322 9/1965 Kelley .
- D. 209,373 11/1967 Gordon .
- D. 237,419 10/1975 Lapins .
- D. 249,825 10/1978 Hasulak .

- D. 286,937 11/1986 Schafer D3/281
- D. 319,016 8/1991 Kahl D9/424
- D. 326,815 6/1992 Meisner et al. D9/424
- D. 328,425 8/1992 Brightbill D9/424
- D. 328,818 8/1992 Hanna et al. D3/281
- D. 329,331 9/1992 Hobson .
- D. 329,747 9/1992 Embree D9/424
- D. 330,162 10/1992 Verchere D9/424
- D. 341,294 11/1993 Doxey D7/626
- D. 355,849 2/1995 Trower et al. D9/424
- 5,011,013 4/1991 Meisner et al. 206/373

Primary Examiner—Philip S. Hyder
Attorney, Agent, or Firm—Howell & Haferkamp, L.C.

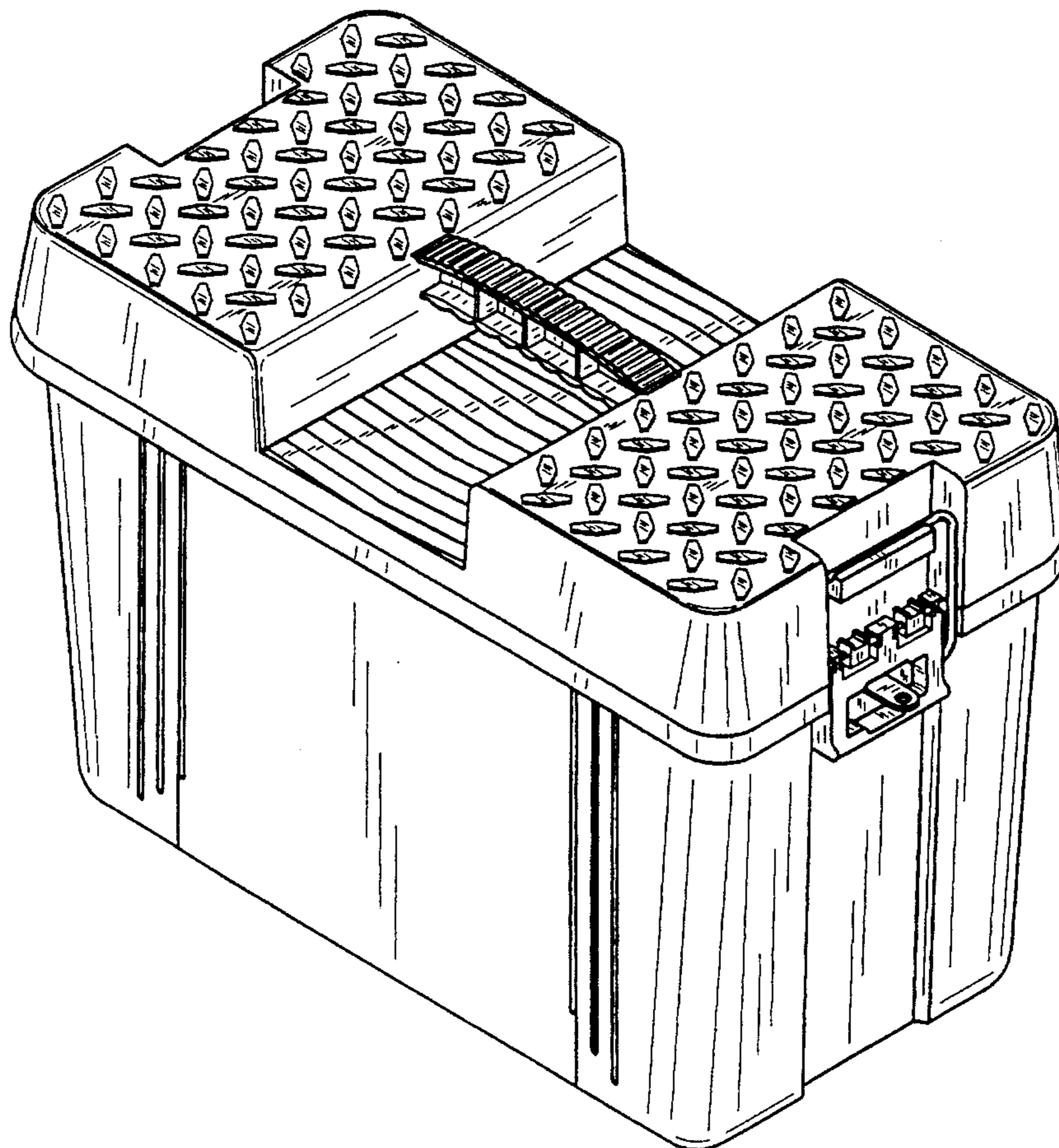
[57] **CLAIM**

The ornamental design for a workbox, as shown and described.

DESCRIPTION

FIG. 1 is an orthographic projection of a workbox showing our new design;
 FIG. 2 is a right side elevation view thereof, the left side elevation view being a mirror image thereof;
 FIG. 3 is a front elevation view thereof; the rear elevation view being a mirror image thereof;
 FIG. 4 is a bottom plan view thereof; and,
 FIG. 5 is a top plan view thereof.

1 Claim, 5 Drawing Sheets



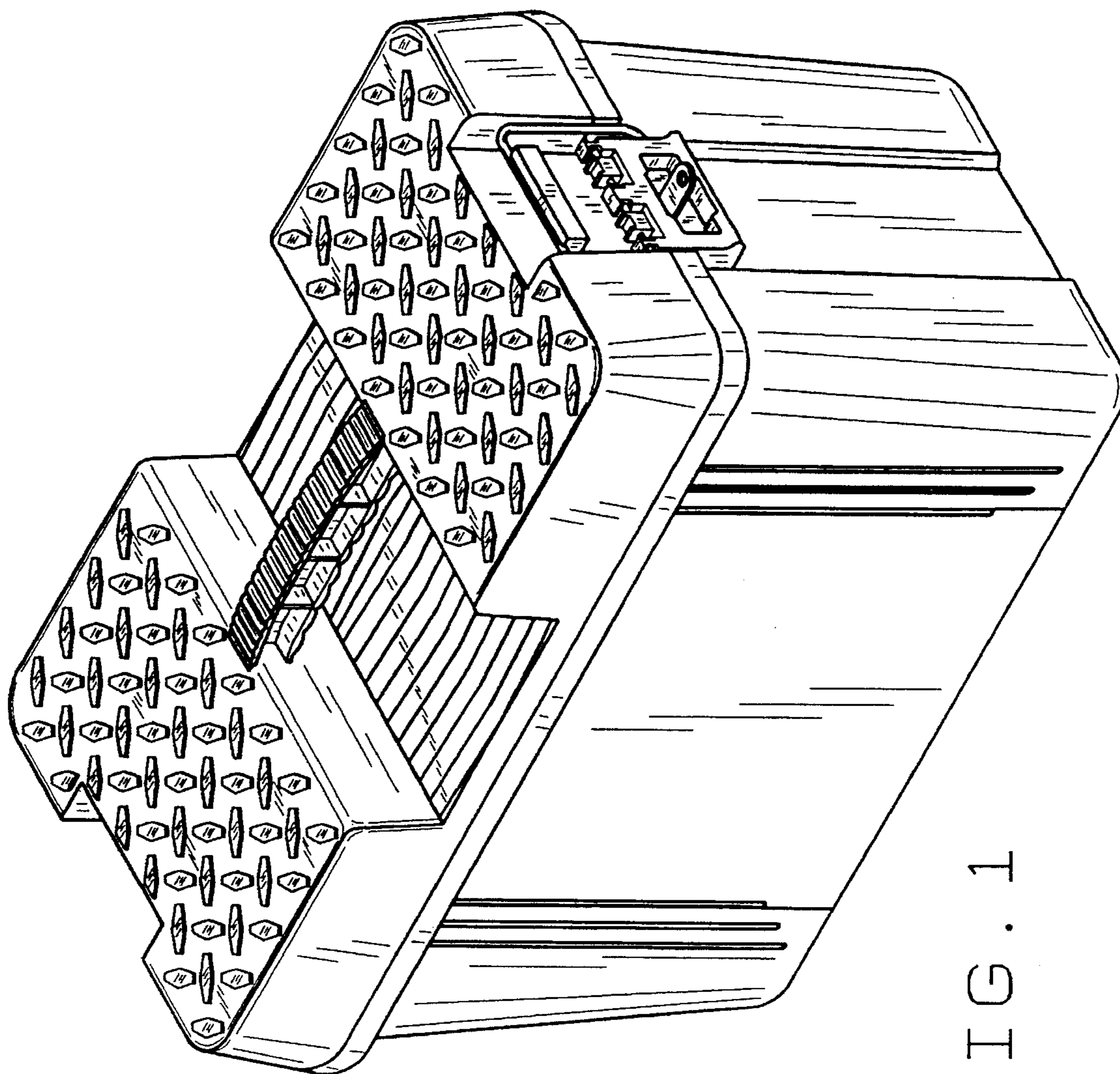


FIG. 1

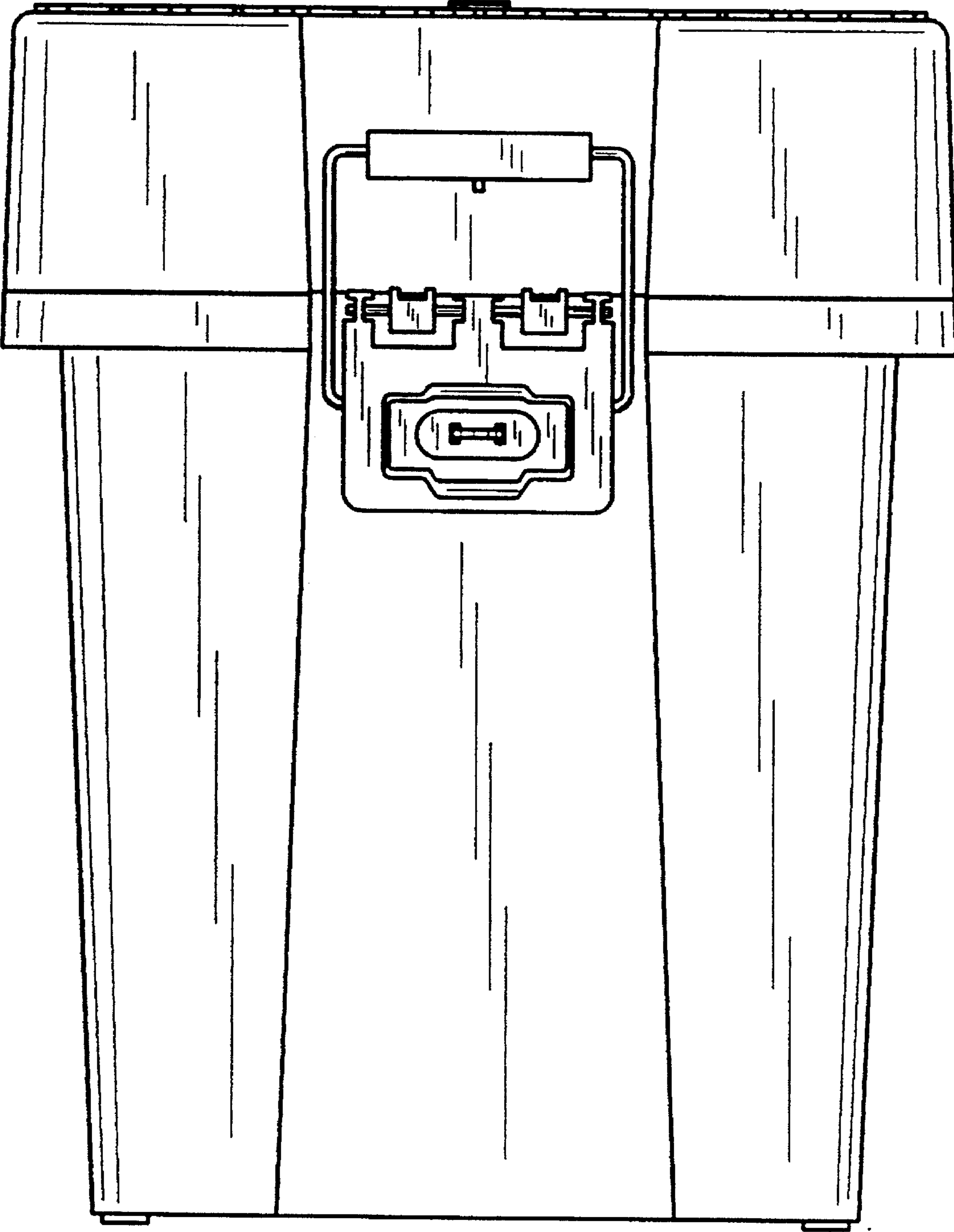


FIG. 2

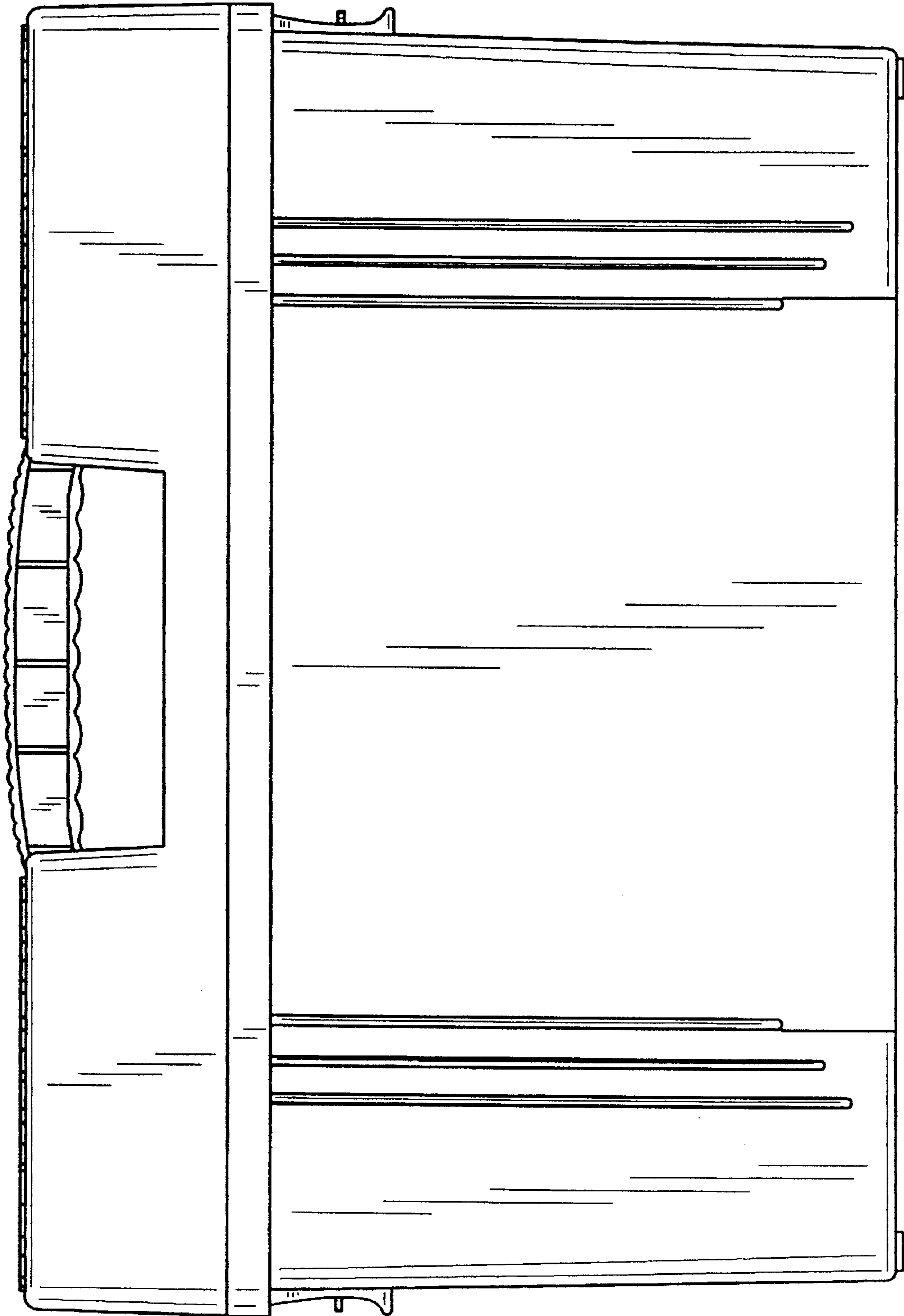


FIG. 3

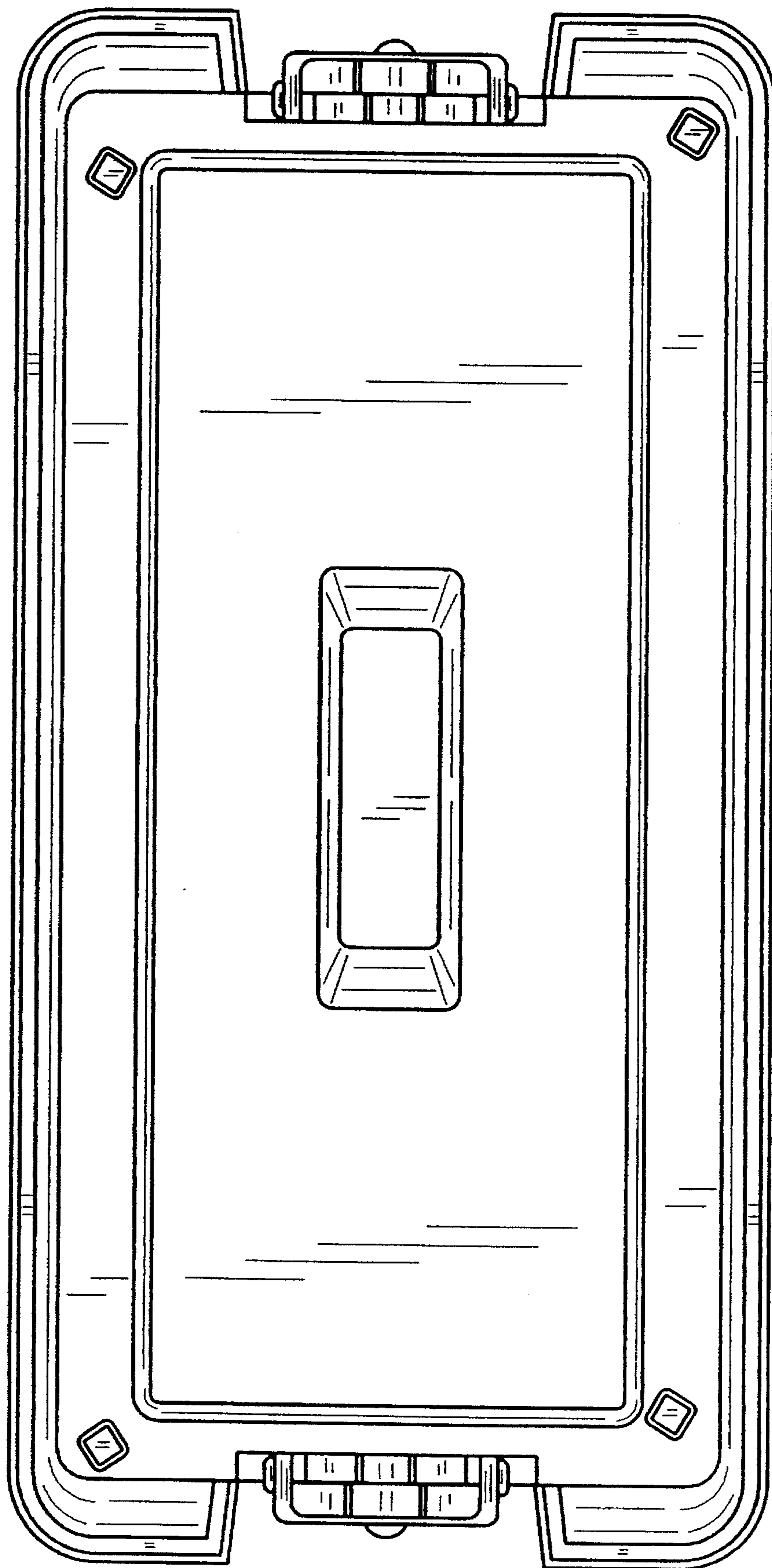


FIG. 4

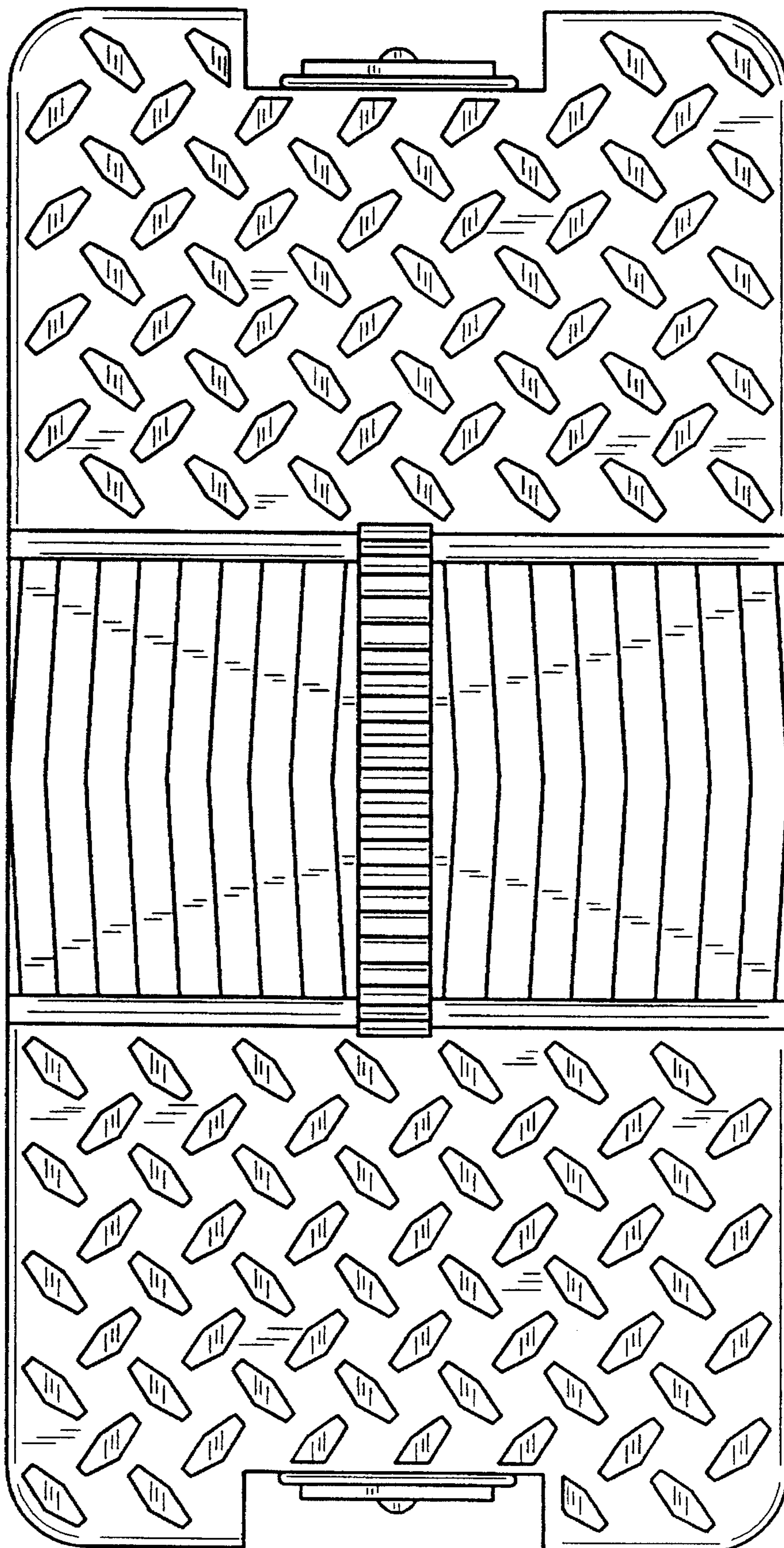


FIG. 5