



US00D373240S

**United States Patent** [19]  
**Parnell**

[11] **Patent Number: Des. 373,240**  
[45] **Date of Patent: \*\*Sep. 3, 1996**

[54] **COMBINED WATER BOTTLE AND WRIST BAND**

[76] Inventor: **Julie Parnell**, 8440 Delongpre Ave., #105, West Hollywood, Calif. 90069

[\*\*] Term: **14 Years**

[21] Appl. No.: **41,279**

[22] Filed: **Jul. 11, 1995**

[52] U.S. Cl. .... **D3/202; D7/510**

[58] Field of Search ..... **D3/202; D2/600, D2/610, 612; D7/510, 511, 620; D9/337, 528, 517; D10/32; D26/39; 224/148, 221, 222; 206/101, 37, 269, 811**

[56] **References Cited**

**U.S. PATENT DOCUMENTS**

D. 272,139	1/1984	Boughton	.....	D7/511	X
D. 315,245	3/1991	Envall	.....	D3/202	
D. 323,430	1/1992	Nieder Korn	.....	D3/202	
D. 361,922	9/1995	Van Dyk	.....	D7/510	
1,825,897	10/1931	Brooke	.....	D3/202	X
3,820,695	6/1974	Pecjak	.....	D3/202	X
3,843,032	10/1974	Moran et al.	.....	224/148	

*Primary Examiner*—Paula A. Mortimer  
*Attorney, Agent, or Firm*—Jeffer, Mangels, Butler & Marmaro LLP

[57] **CLAIM**

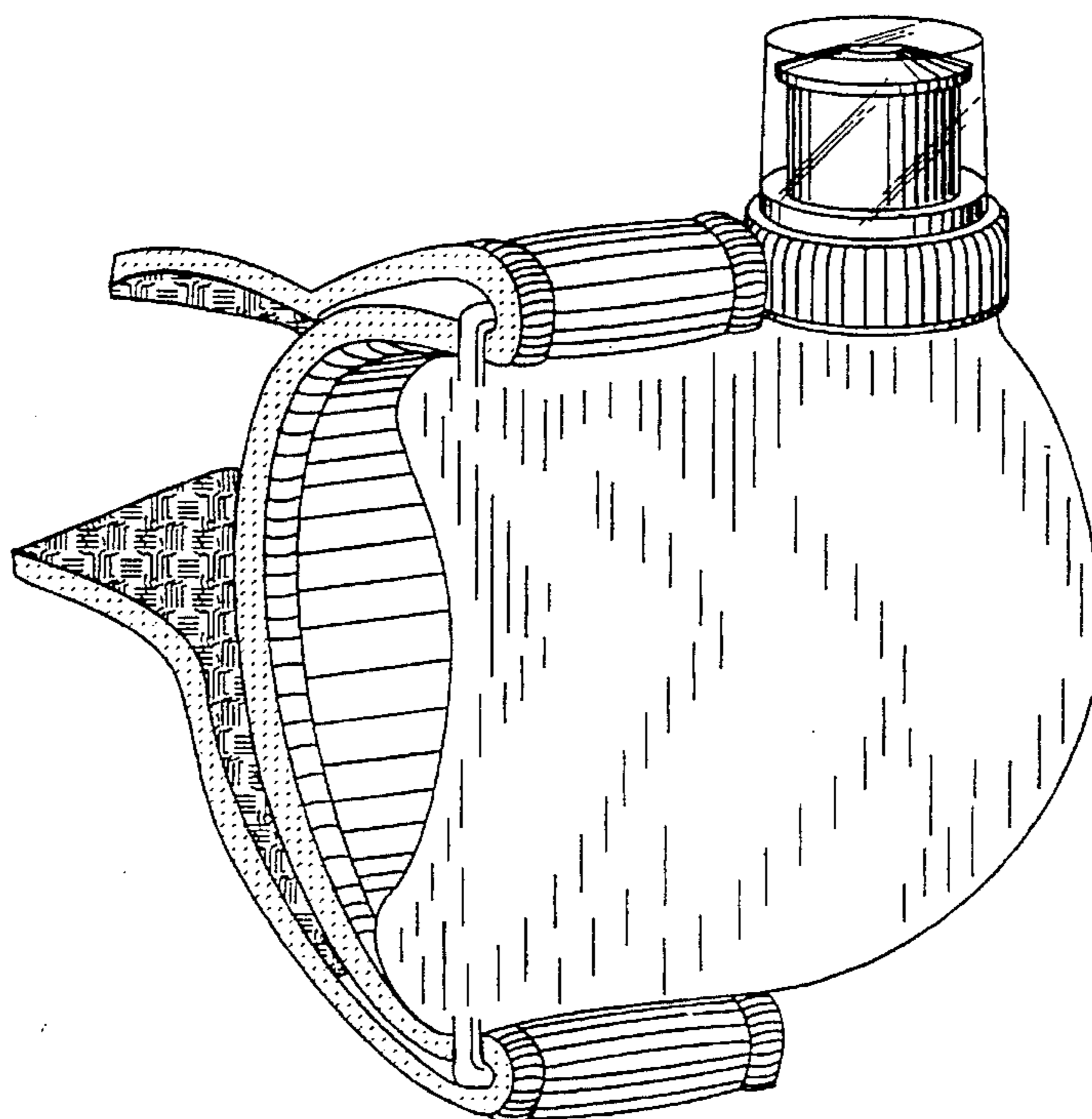
The ornamental design for the combined water bottle and wrist band, as shown and described.

**DESCRIPTION**

FIG. 1 is a left side perspective view of a combined water

bottle and wrist band showing my new design;  
 FIG. 2 is a right side perspective view thereof;  
 FIG. 3 is a left side elevational view thereof;  
 FIG. 4 is a right side elevational view thereof;  
 FIG. 5 is a front elevational view thereof;  
 FIG. 6 is a rear elevational view thereof;  
 FIG. 7 is a top plan view thereof;  
 FIG. 8 is a bottom plan view thereof;  
 FIG. 9 is a top plan view thereof, the broken line showing of the human form is for illustrative purposes only and forms no part of the claimed design;  
 FIG. 10 is a front elevational view thereof;  
 FIG. 11 is a rear elevational view thereof;  
 FIG. 12 is a left side perspective view of a second embodiment of a combined water bottle and wrist band showing my new design, the only difference being the placement of the water bottle;  
 FIG. 13 is a right side perspective view thereof;  
 FIG. 14 is a left side elevational view thereof;  
 FIG. 15 is a right side elevational view thereof;  
 FIG. 16 is a front elevational view thereof;  
 FIG. 17 is a rear elevational view thereof;  
 FIG. 18 is a top plan view thereof;  
 FIG. 19 is a bottom plan view thereof;  
 FIG. 20 is a top plan view thereof, the broken line showing of the human form is for illustrative purposes only and forms no part of the claimed design;  
 FIG. 21 is a front elevational view thereof; and,  
 FIG. 22 is a rear elevational view thereof.

**1 Claim, 22 Drawing Sheets**



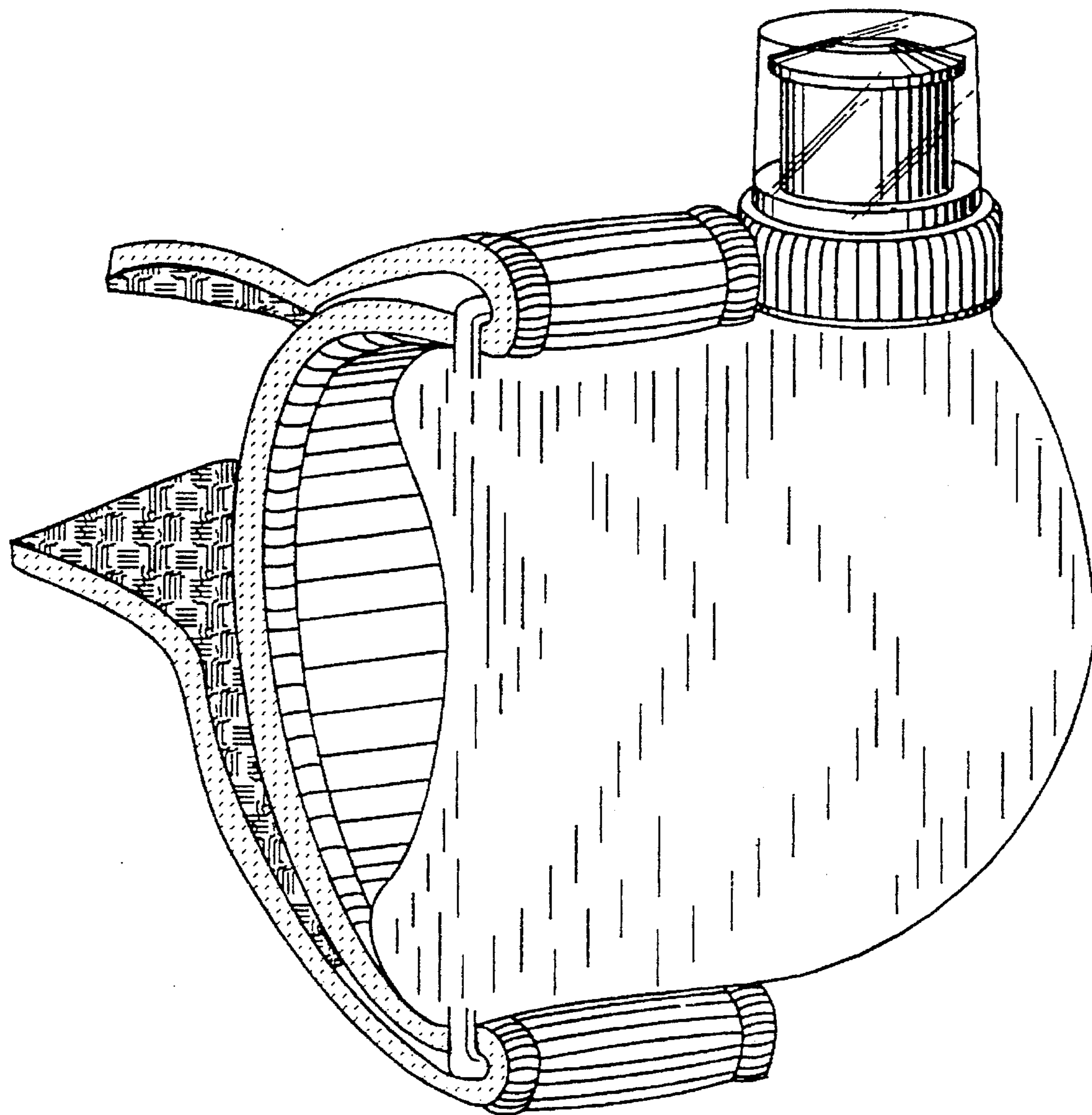


FIG. 1

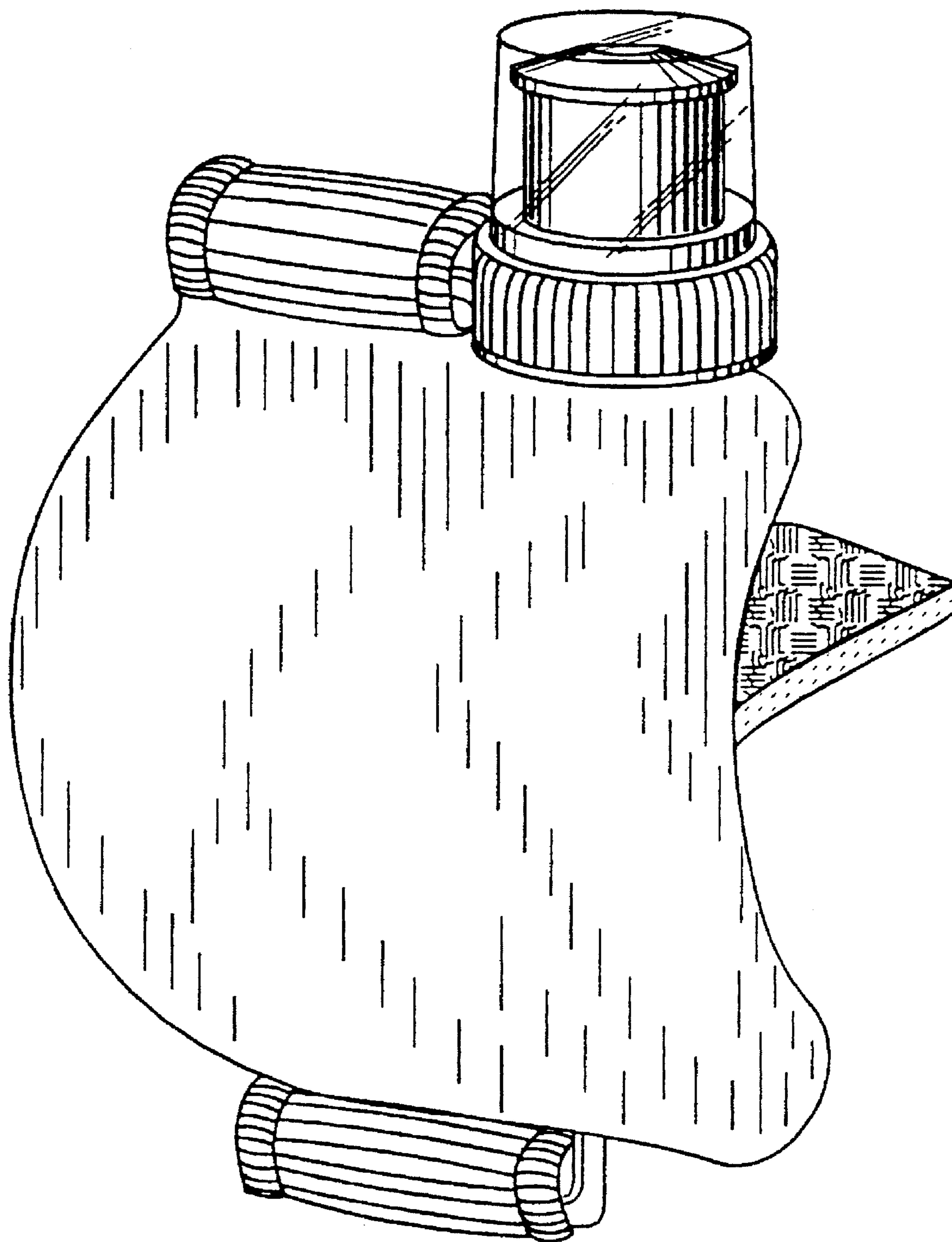


FIG. 2

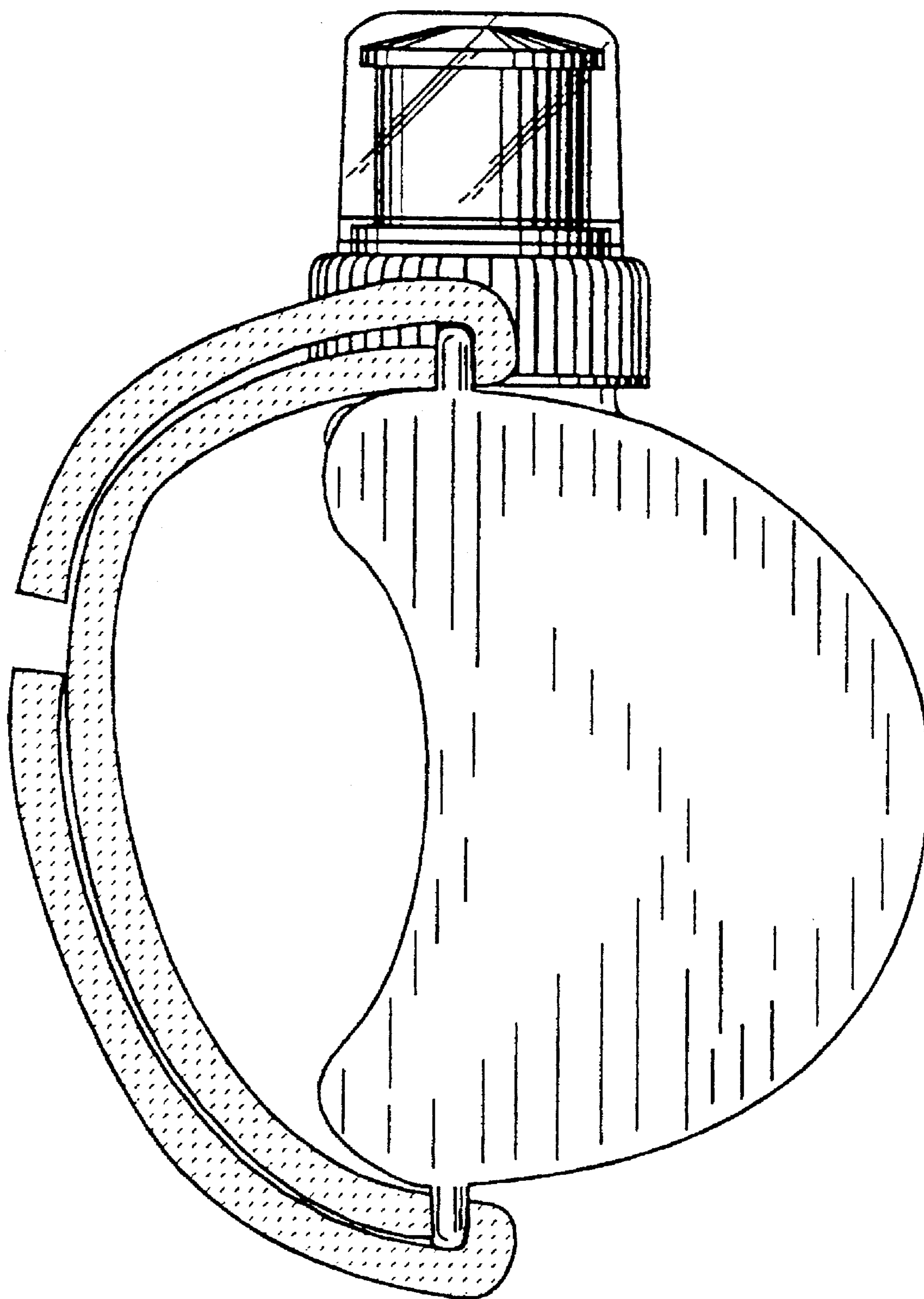


FIG. 3

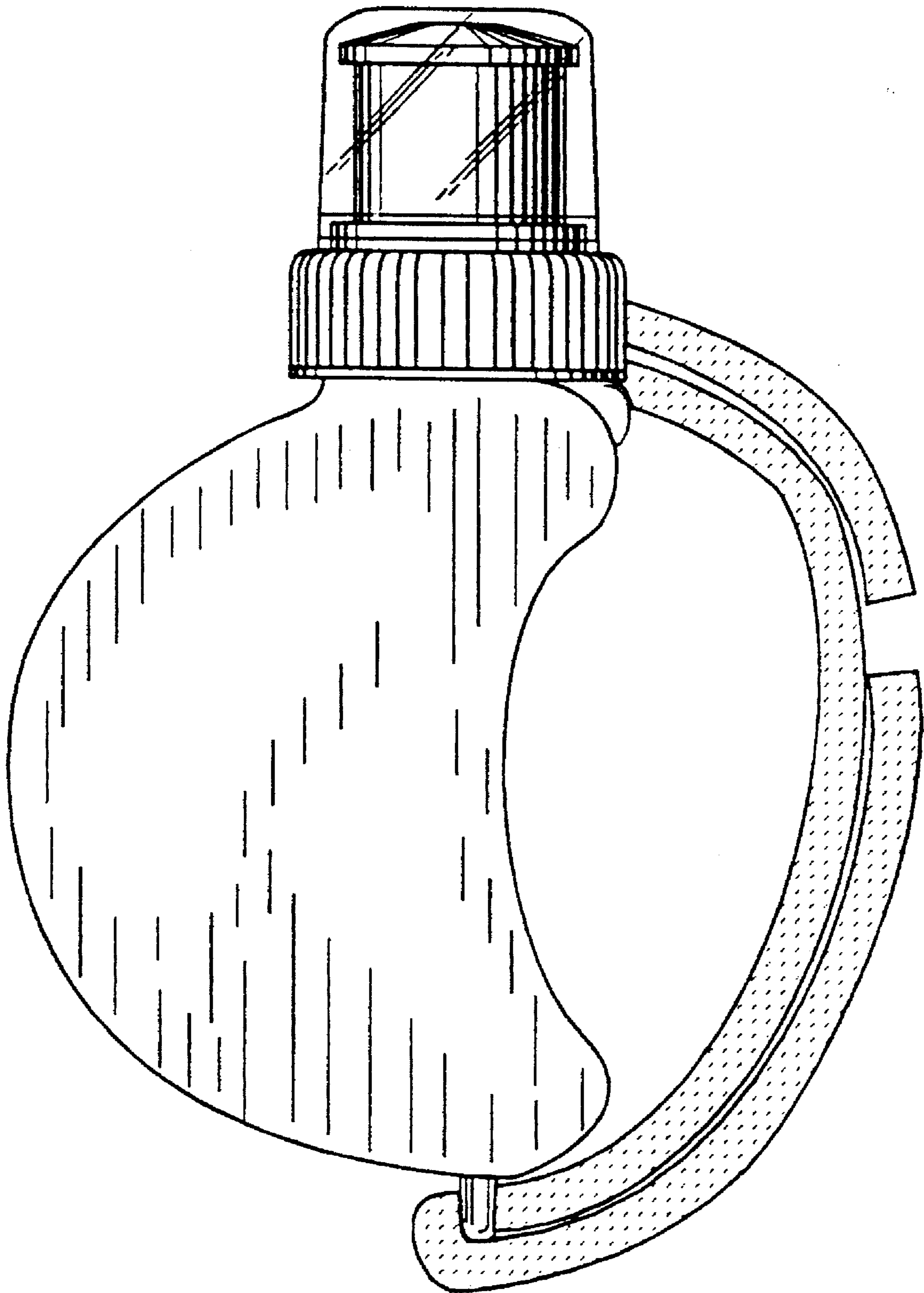


FIG. 4

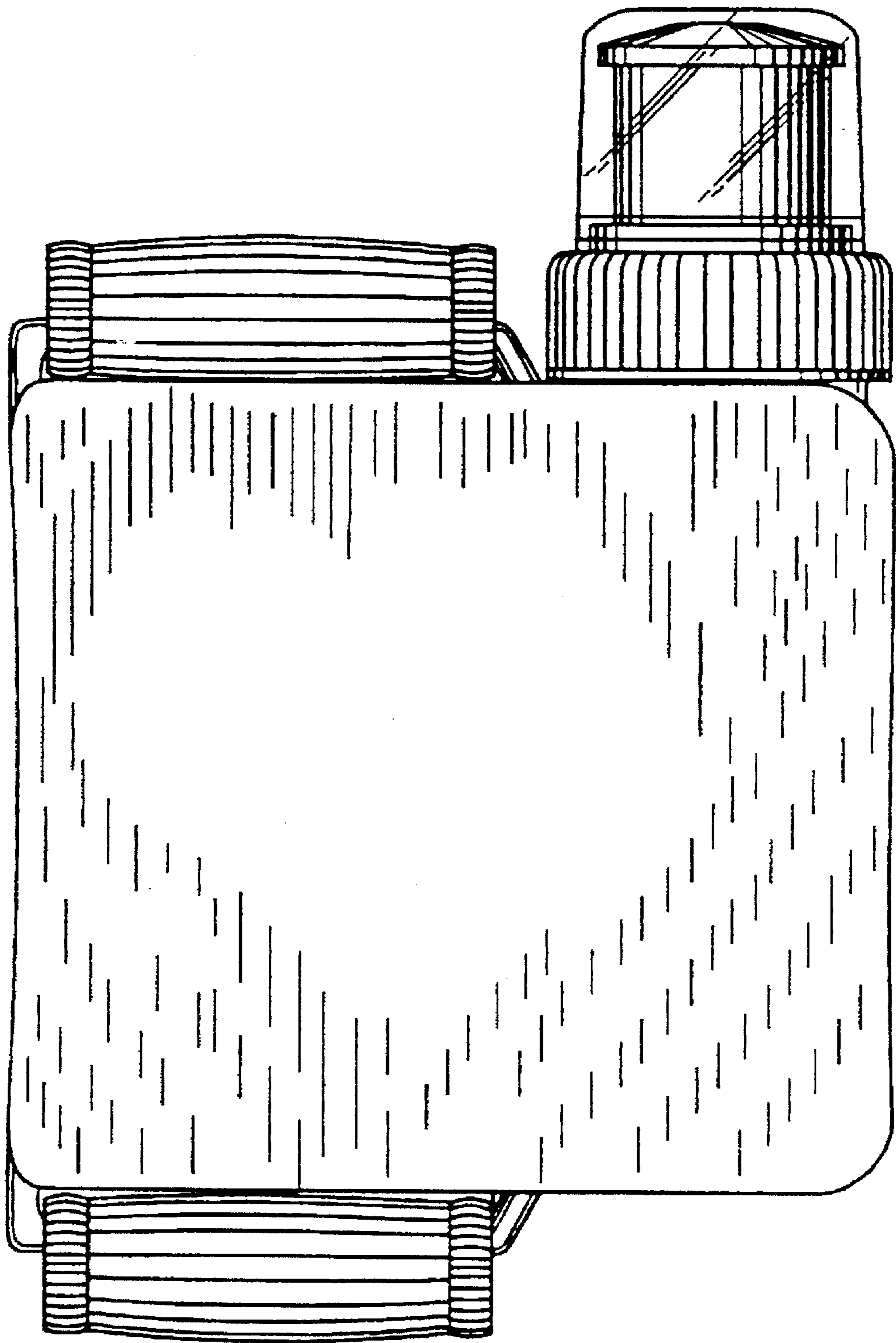


FIG. 5

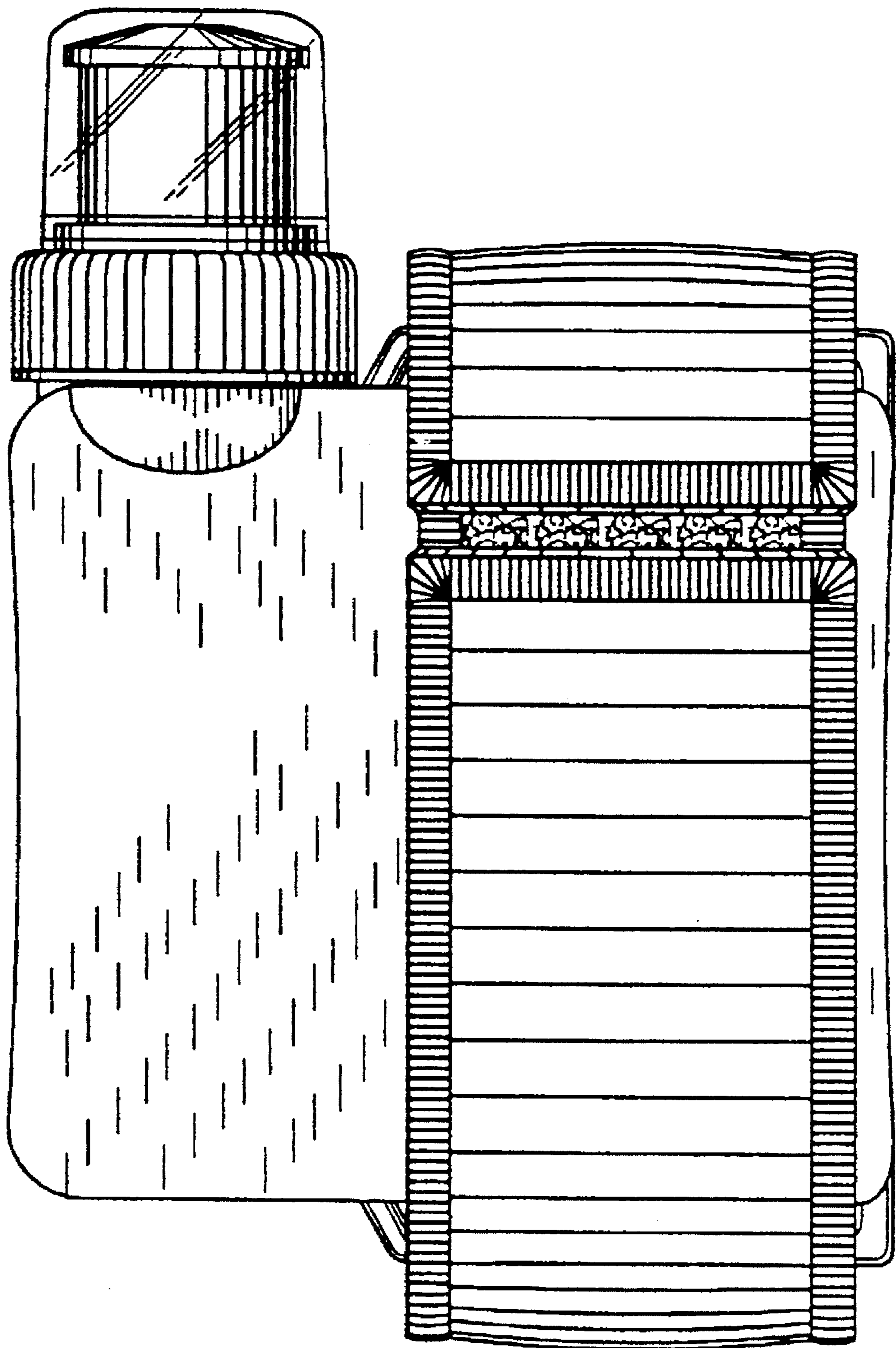


FIG. 6

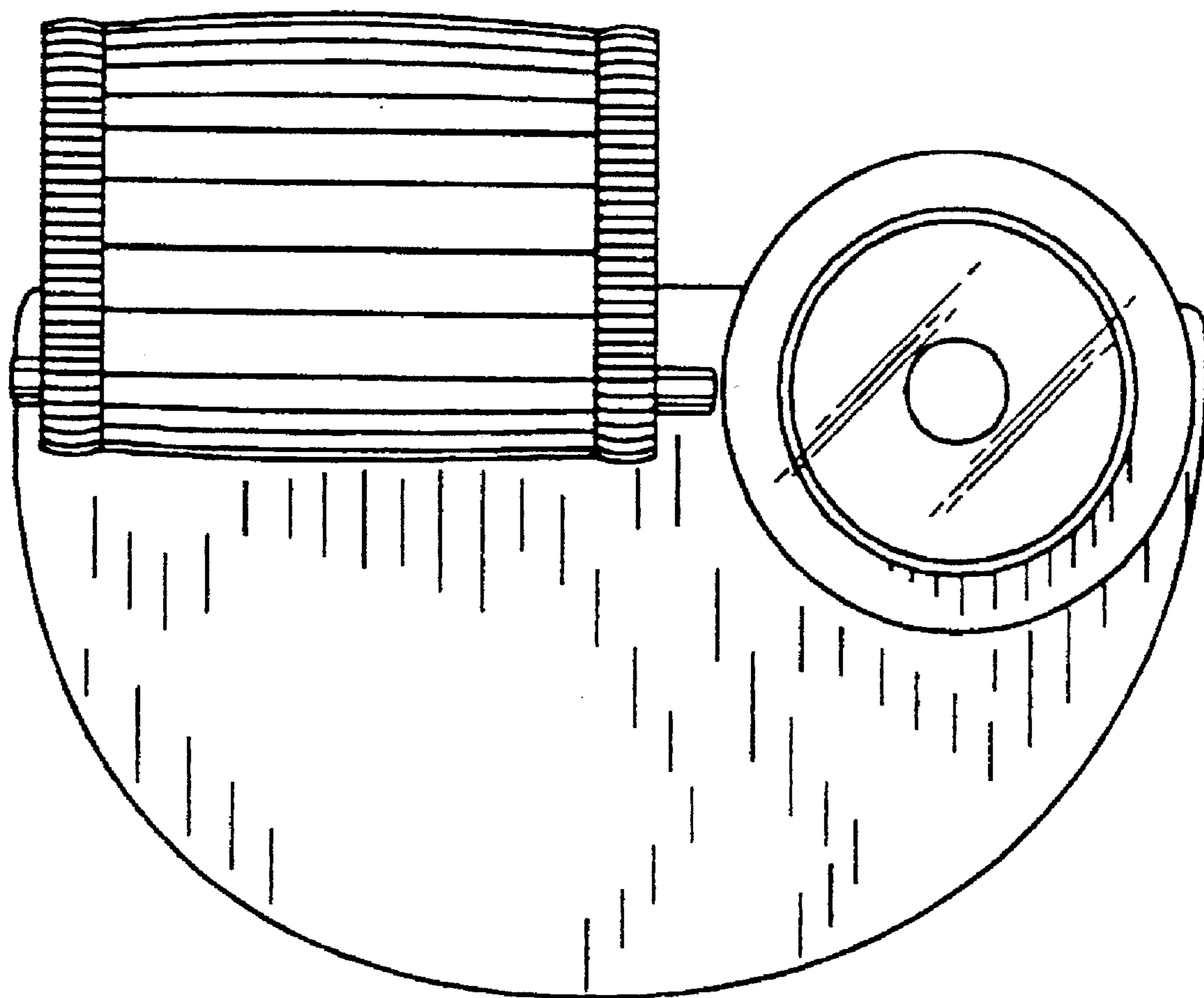


FIG. 7



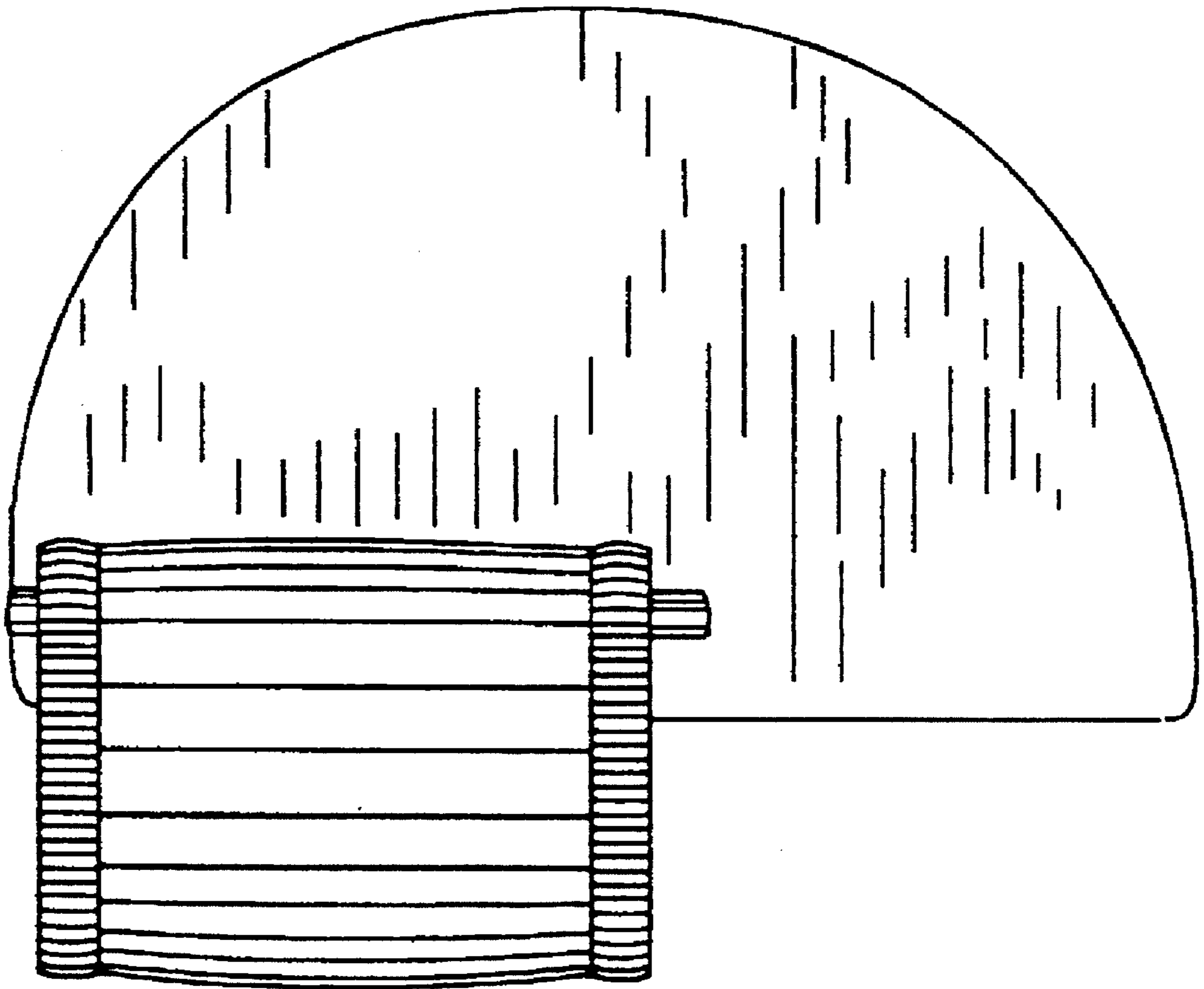


FIG. 8

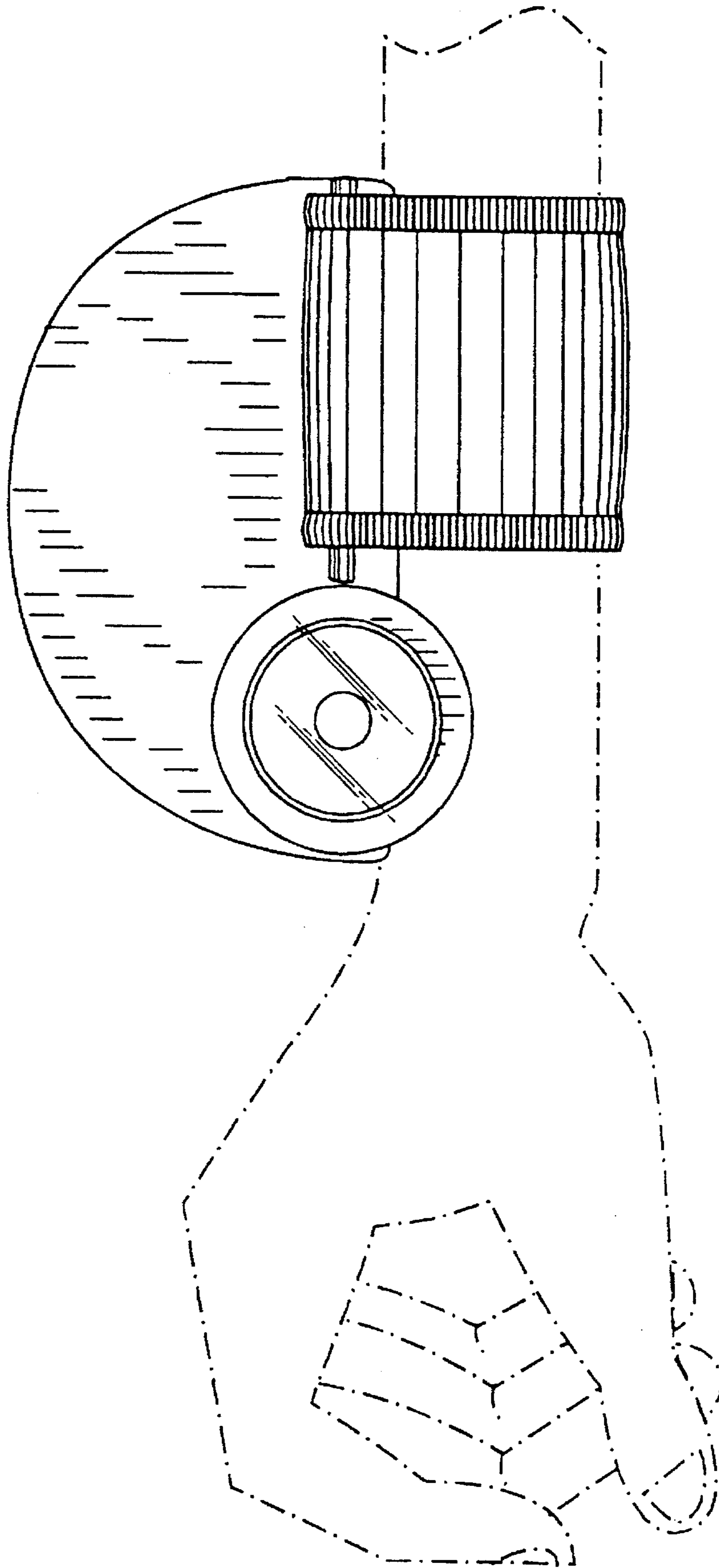


FIG. 9

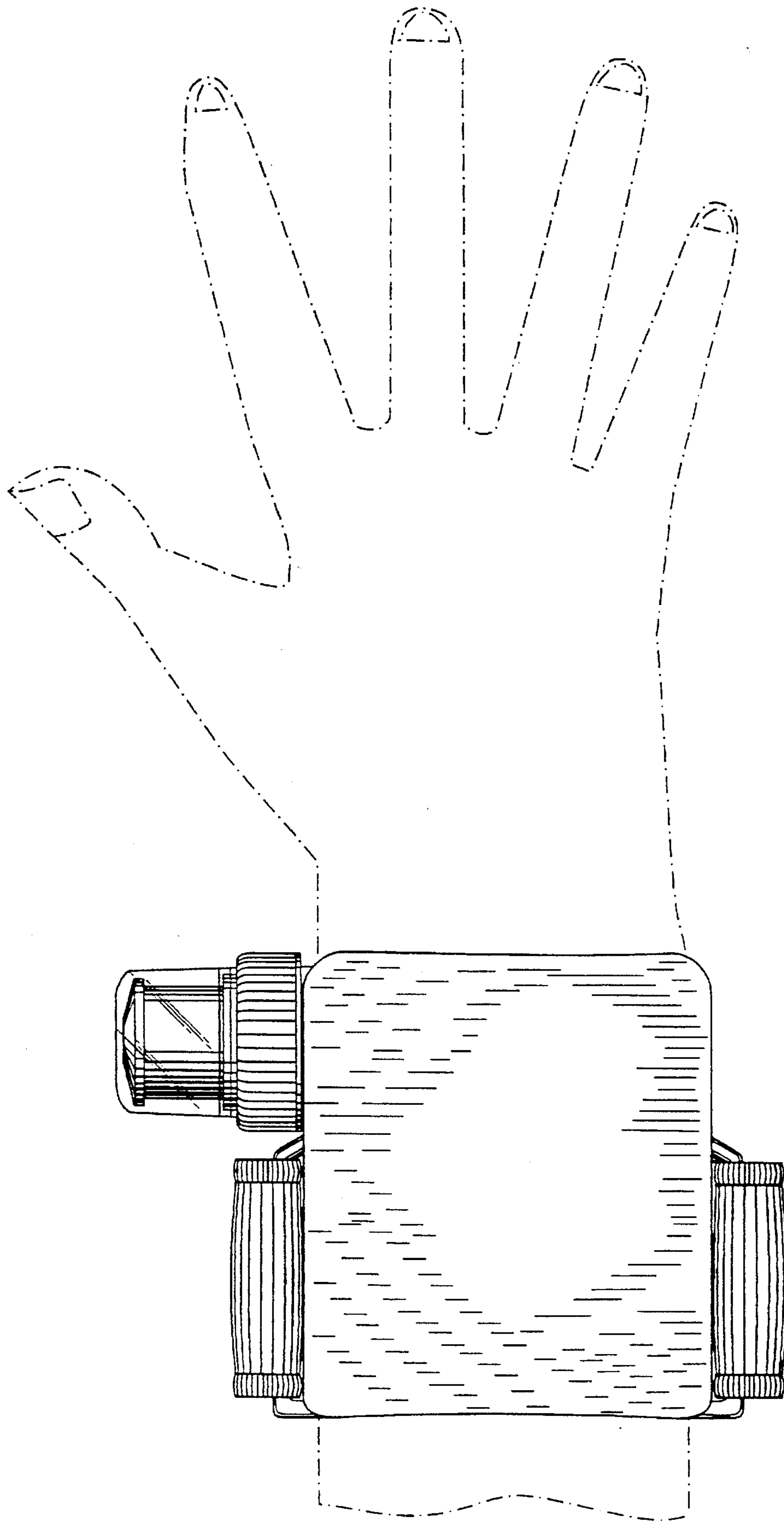


FIG. 10

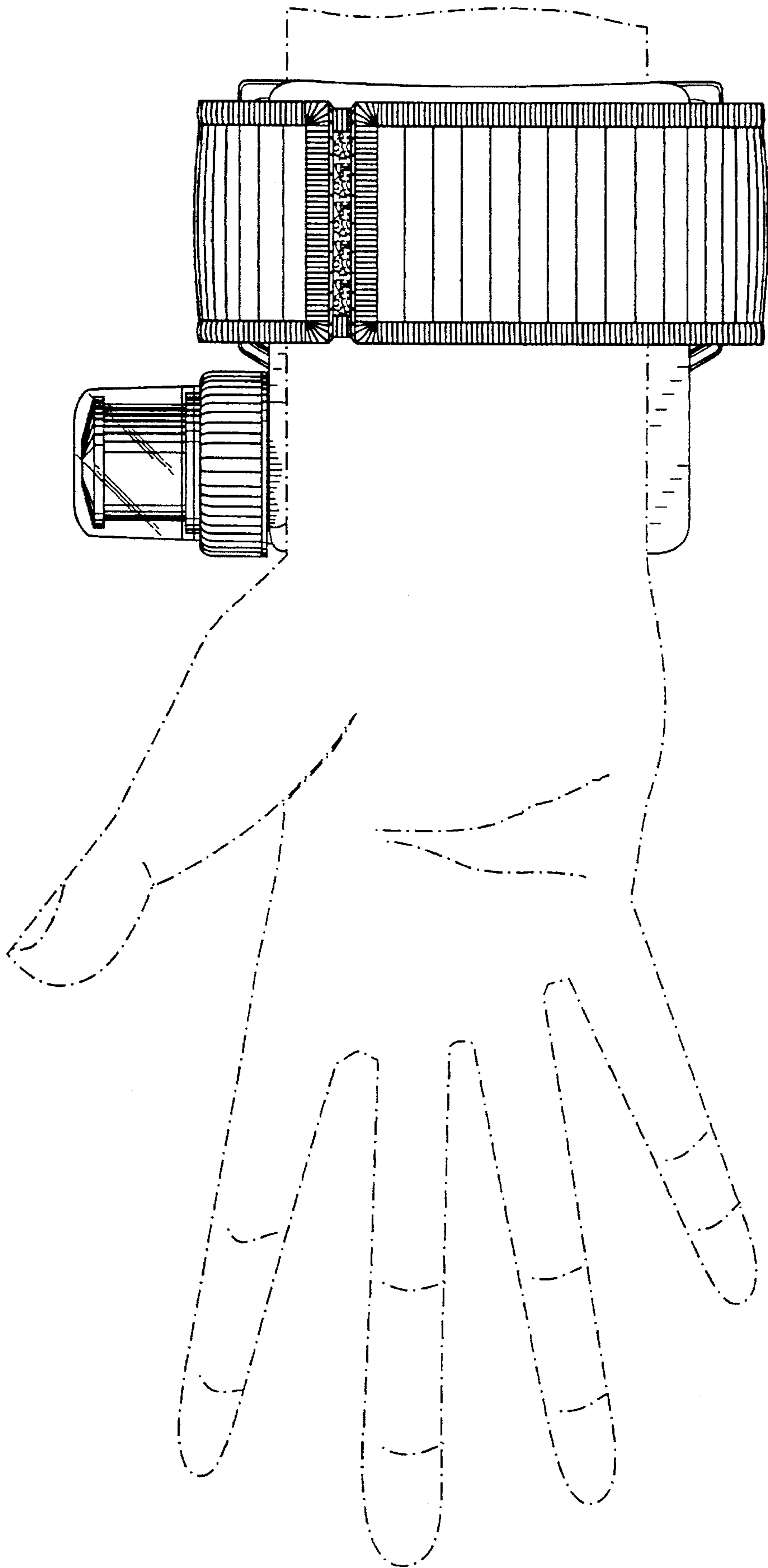


FIG. 11

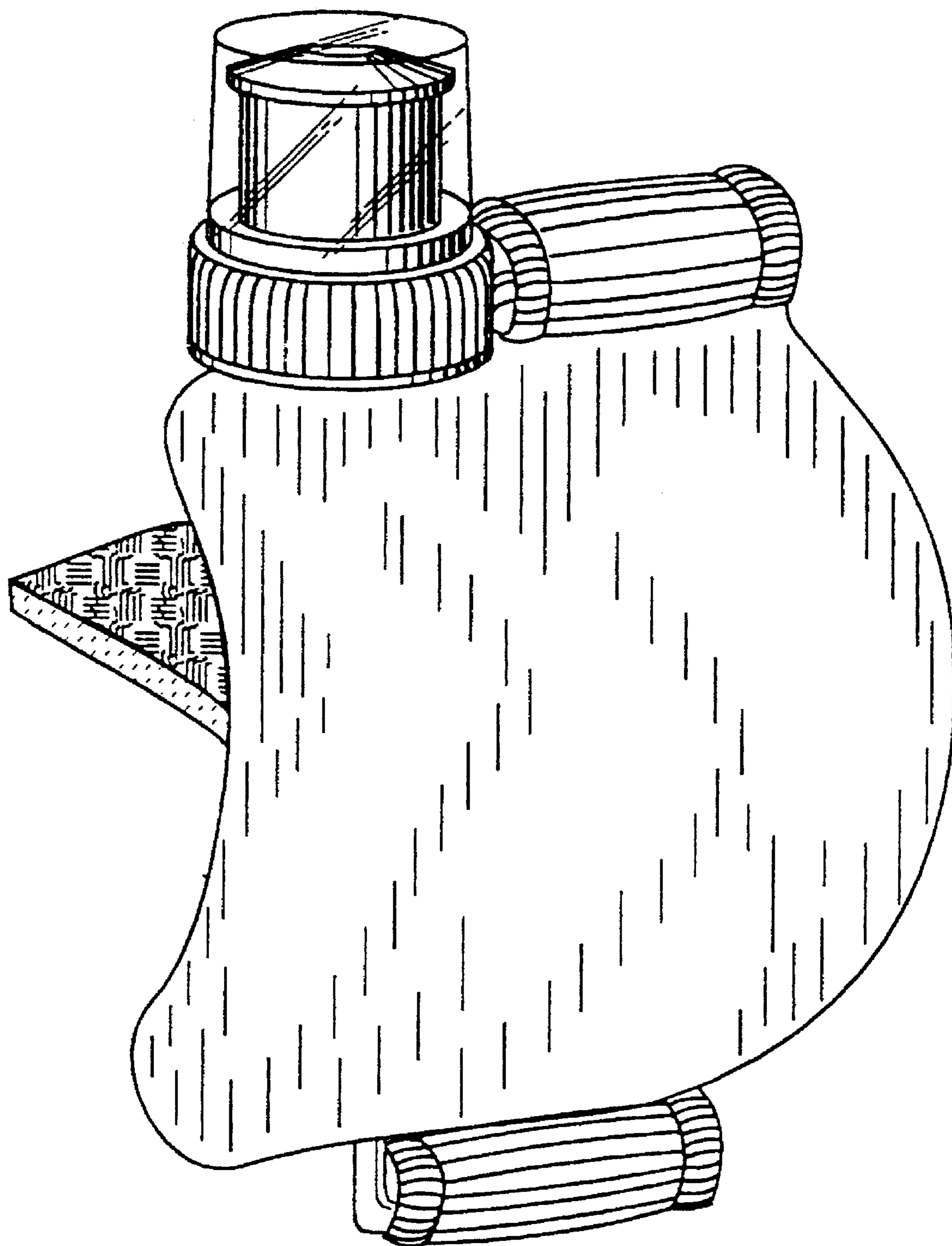


FIG. 12

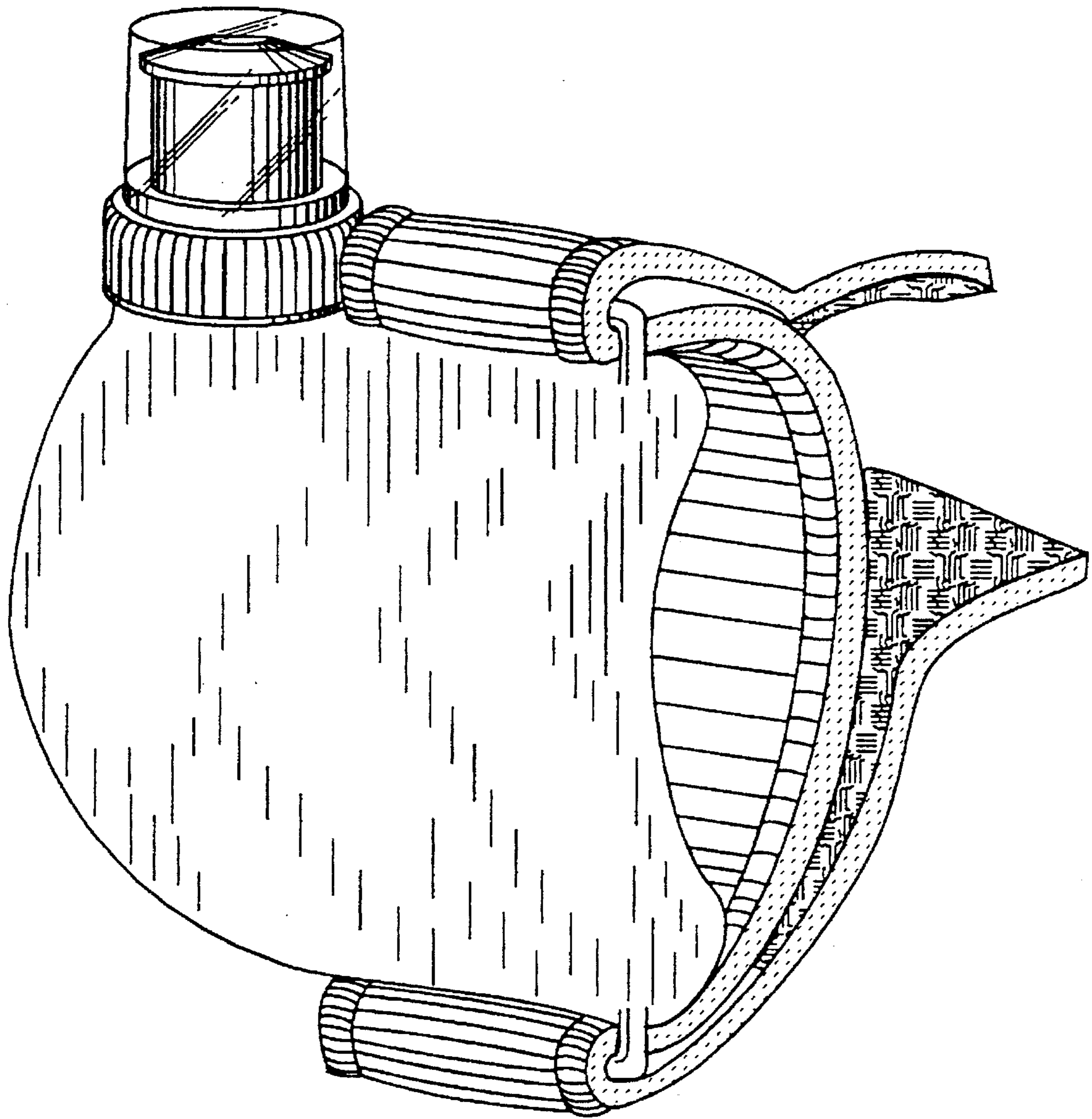


FIG. 13

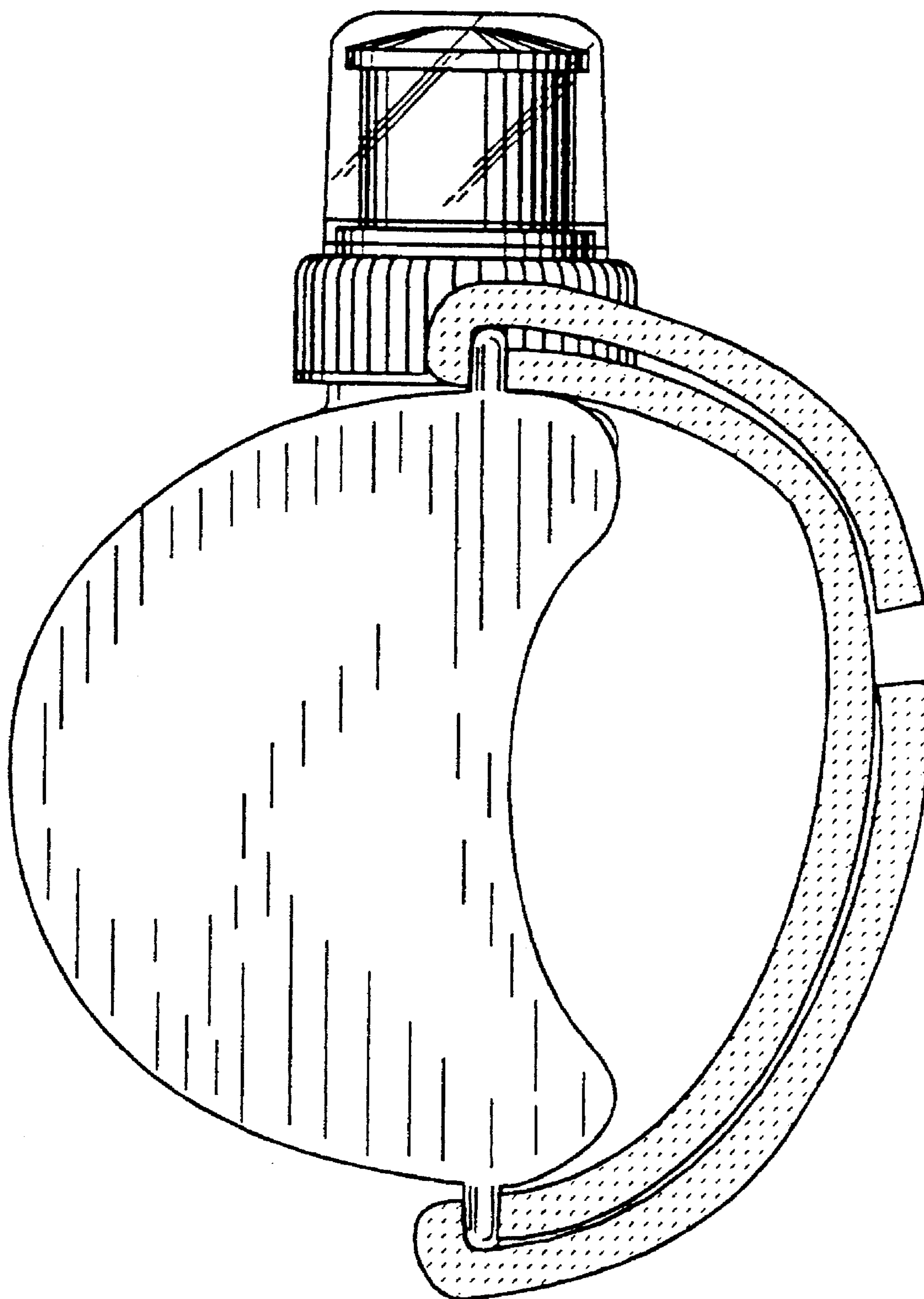


FIG. 14

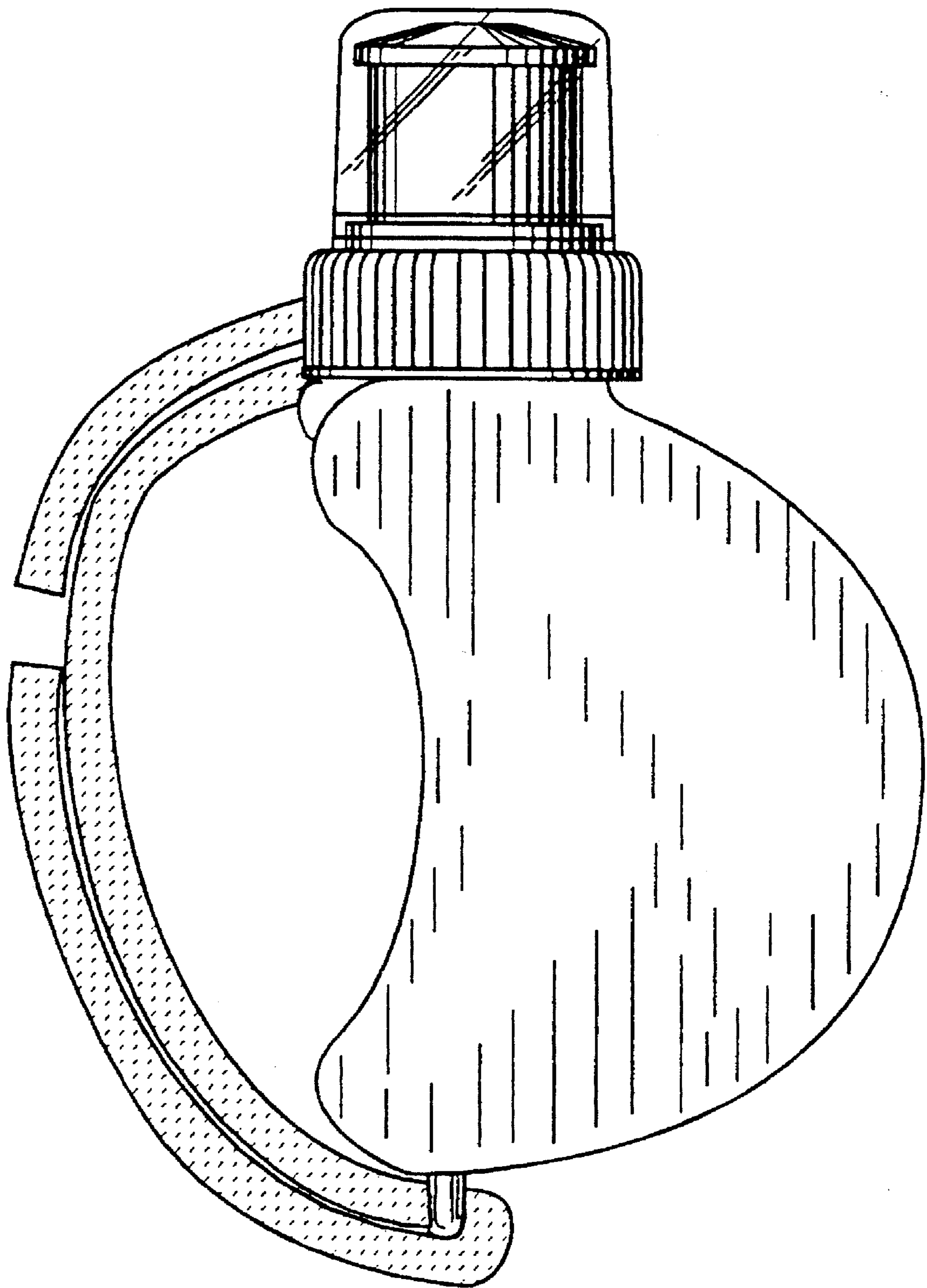


FIG. 15



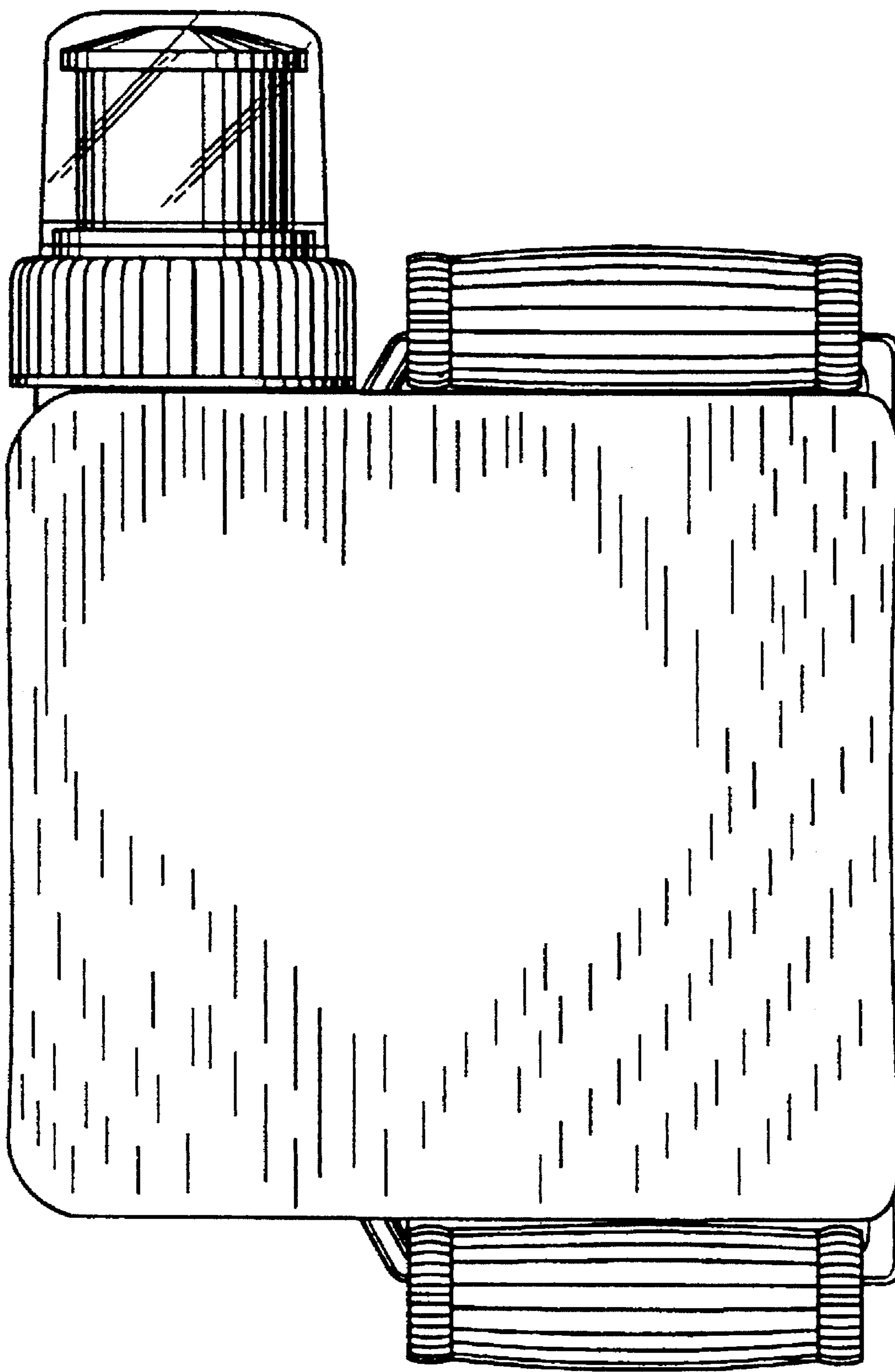


FIG. 16

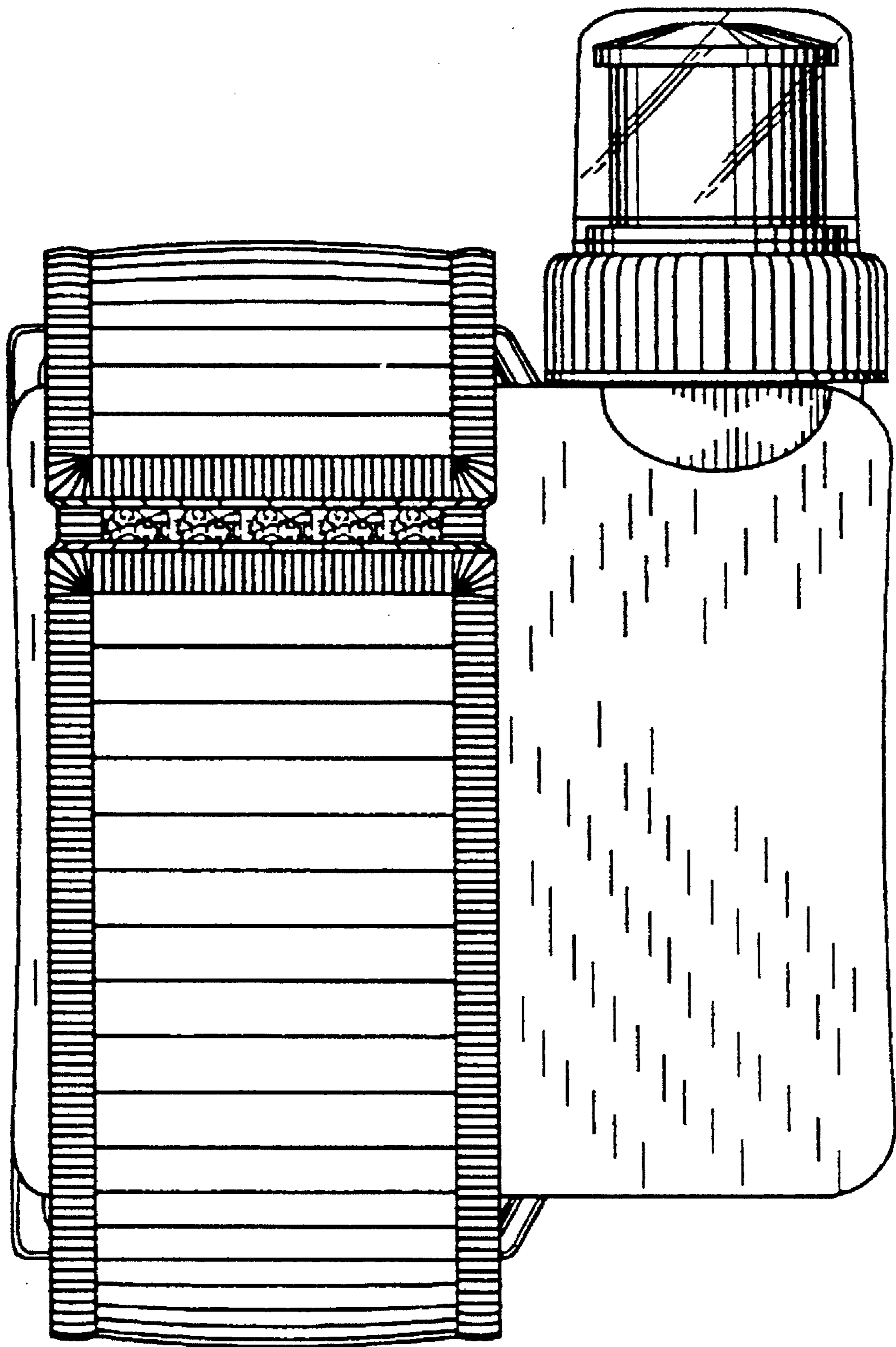


FIG. 17

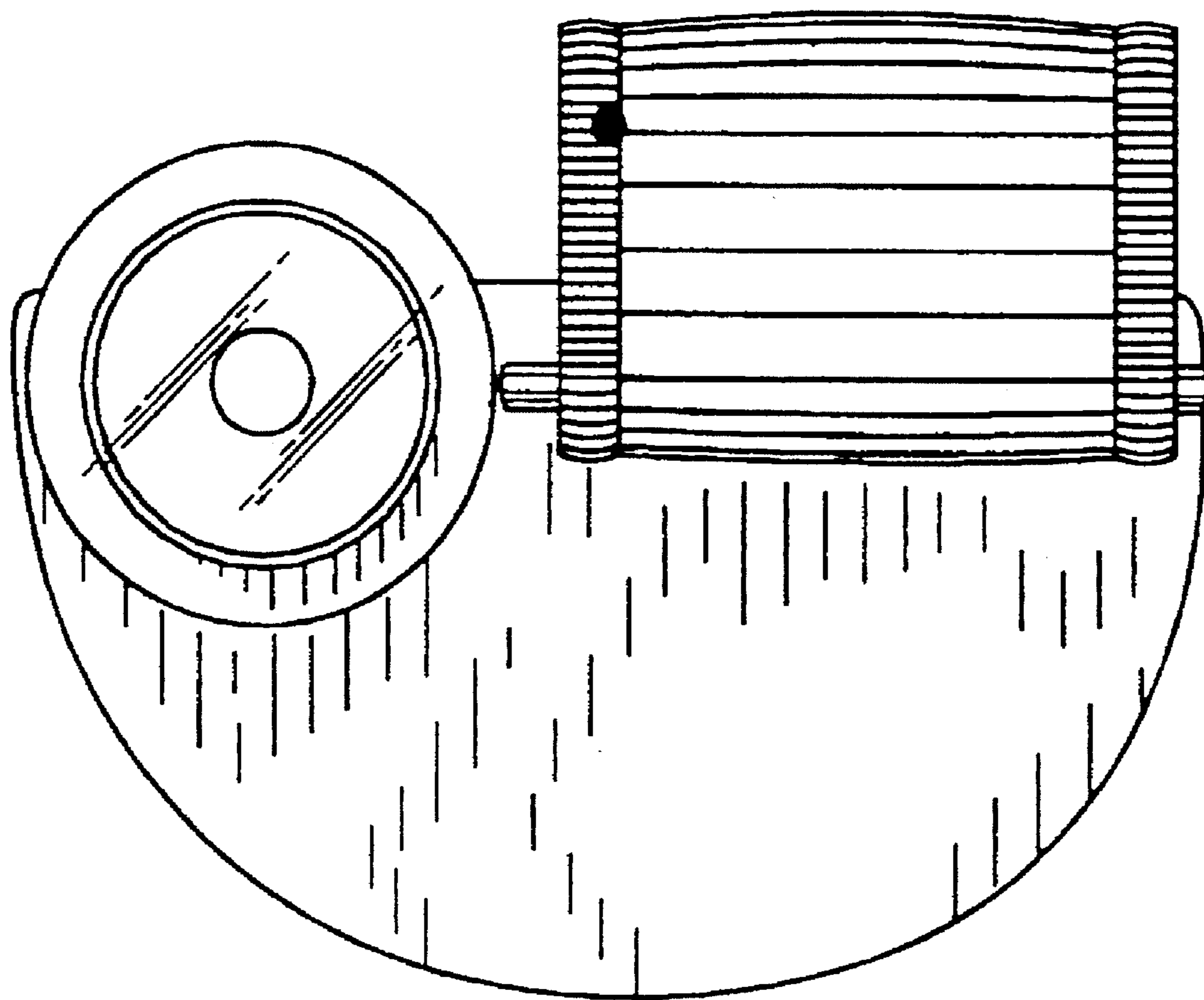


FIG. 18

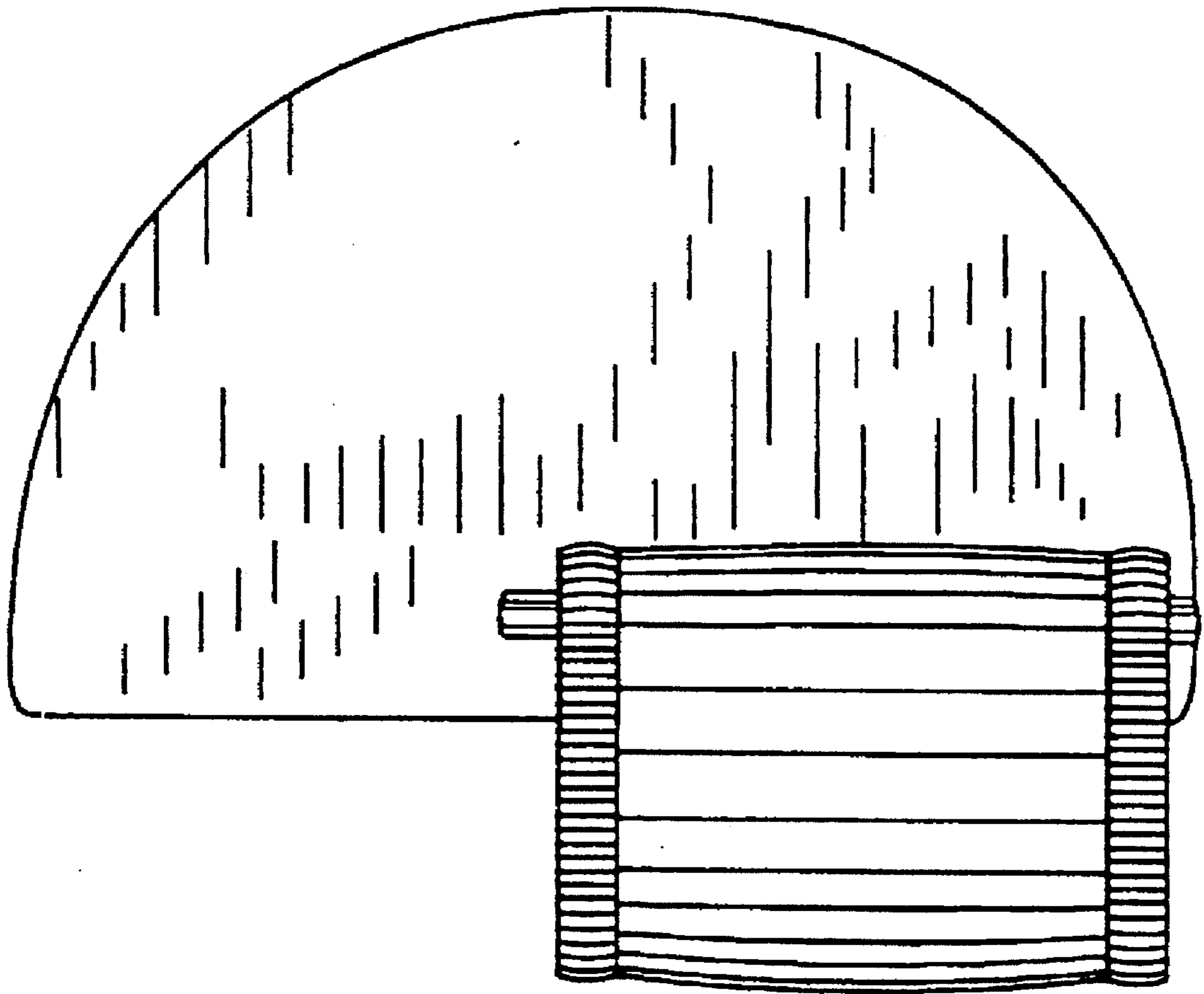


FIG. 19

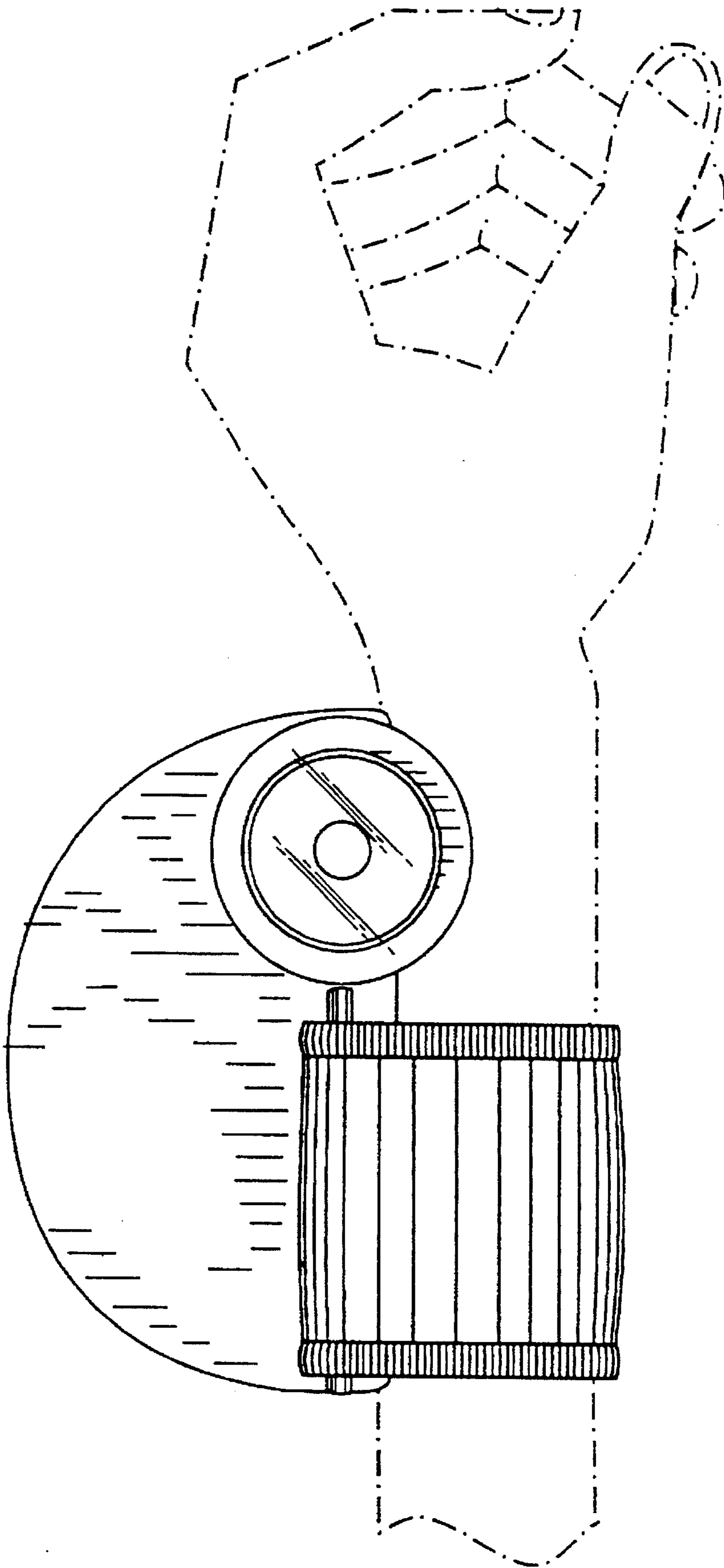


FIG. 20

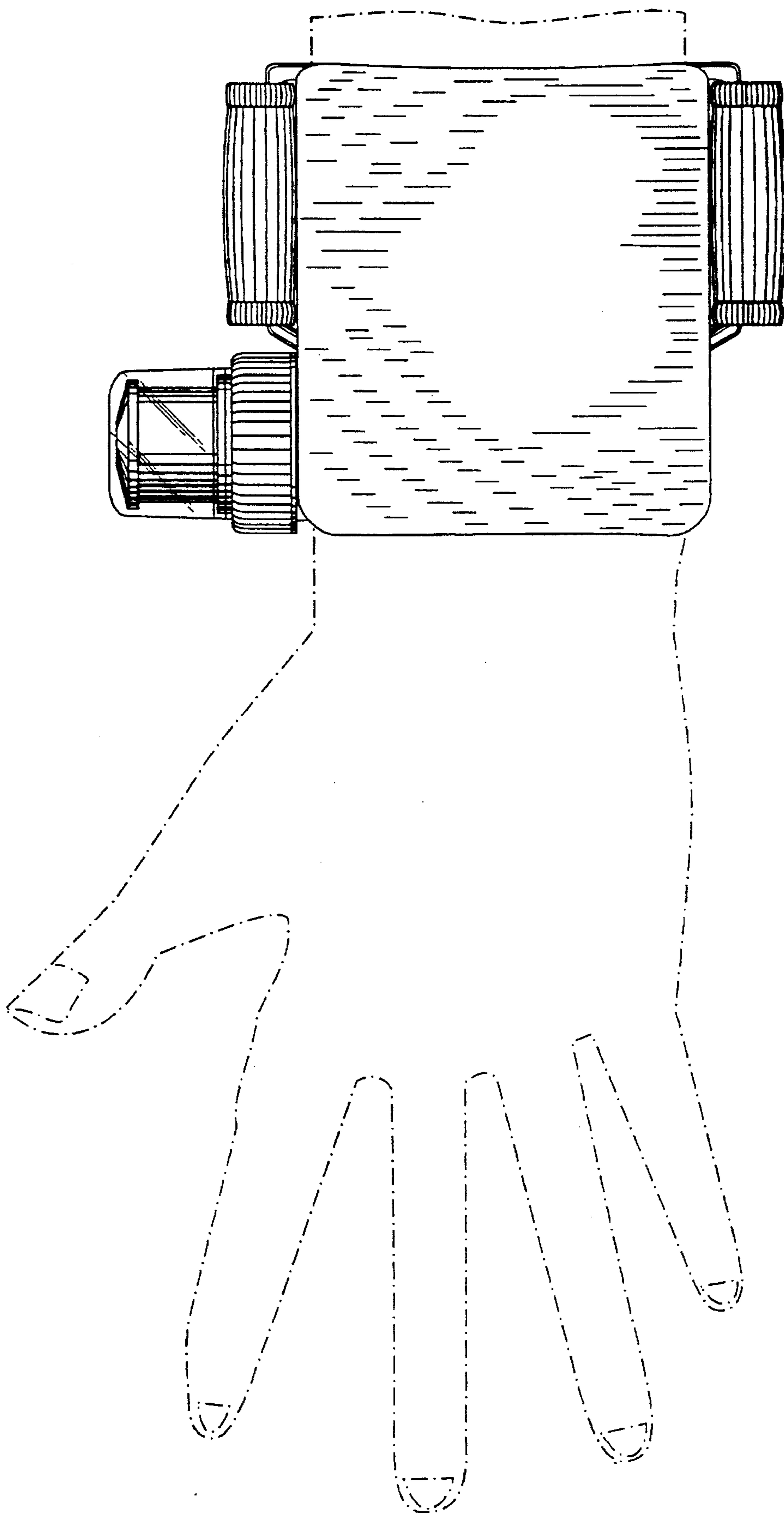


FIG. 21

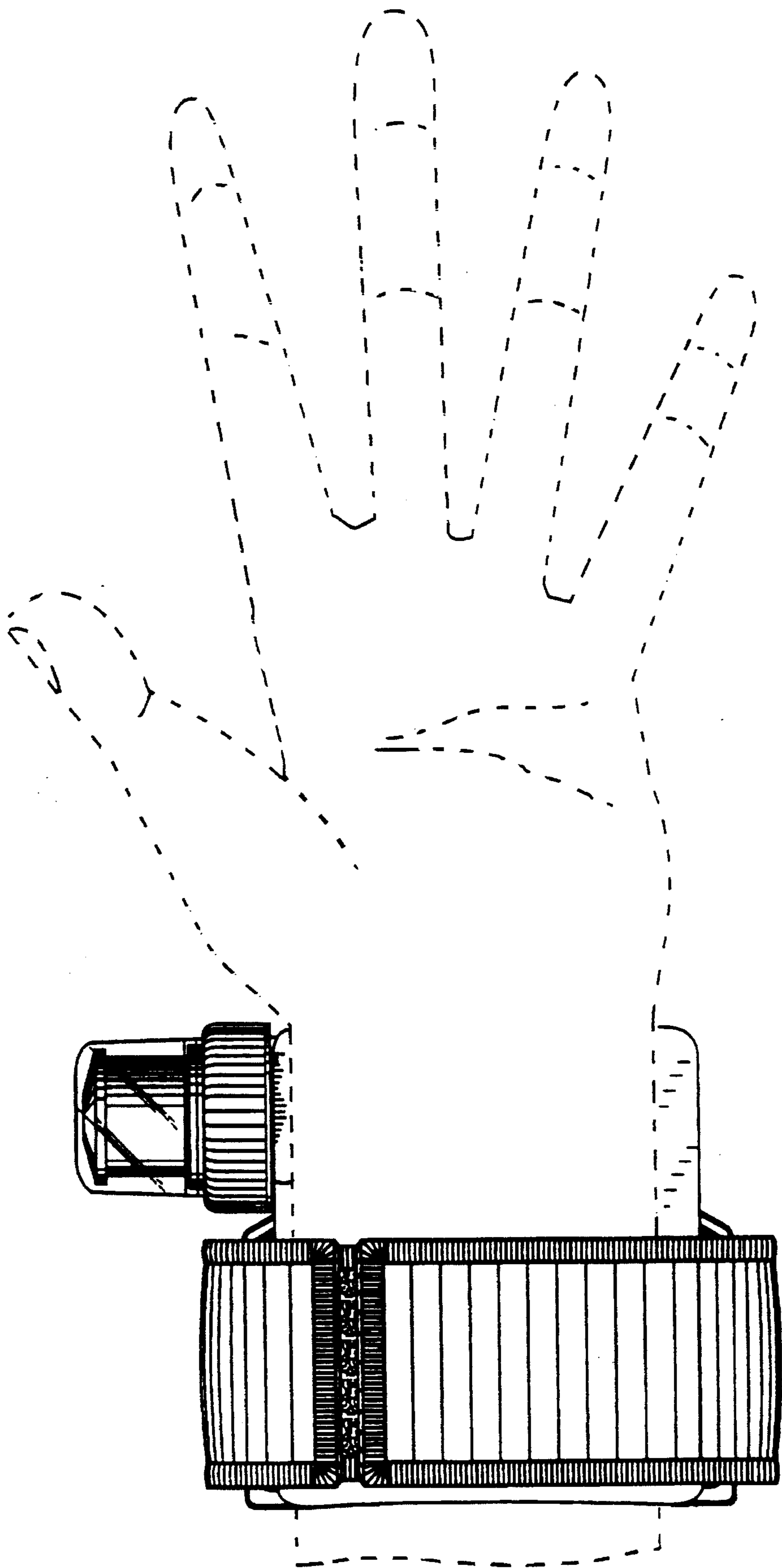


FIG. 22