



US00D373230S

United States Patent [19]

[11] Patent Number: **Des. 373,230**

Sebor et al.

[45] Date of Patent: ****Aug. 27, 1996**

[54] SUBMERSIBLE SELF-PROPELLED POOL CLEANER

[75] Inventors: **Pavel Sebor**, 751 Cricklewood Ter., Heathrow, Fla. 32746; **Brian H. Phillipson**, Longwood, Fla.; **Mark J. Ciesko**, Westerville; **Spencer B. Murrell**, Delaware, both of Ohio

[73] Assignee: **Pavel Sebor**, Heathrow, Fla.

[**] Term: **14 Years**

[21] Appl. No.: **25,688**

[22] Filed: **Jul. 8, 1994**

[52] U.S. Cl. **D32/1**

[58] Field of Search D32/1, 15, 21, D32/25; 15/1.7, 379, 415.1; 210/169, 241, 416.2

[56] References Cited

U.S. PATENT DOCUMENTS

D. 280,561	9/1985	Gard	D32/1
D. 304,505	11/1989	Maier et al.	D32/1
D. 325,452	4/1992	Gefter	D32/1
D. 325,796	4/1992	Kallenbach	D32/1
4,023,227	5/1977	Chauvier	15/1.7
4,498,206	2/1985	Braukmann	15/1.7
4,849,024	7/1989	Supra	134/21
4,939,806	7/1990	Supra	15/1.7
5,259,082	11/1993	Sebor	15/1.7
5,274,868	1/1994	Sebor	15/1.7
5,303,444	4/1994	Sebor	15/1.7
5,351,355	10/1994	Chiniara	15/1.7
5,379,473	1/1995	Rief et al.	15/1.7
5,386,607	2/1995	Sebor	15/1.7

FOREIGN PATENT DOCUMENTS

0476413A2	3/1992	European Pat. Off.	E04H 4/16
2181339	4/1987	United Kingdom	E04H 3/20

Primary Examiner—Ruth McInroy
Attorney, Agent, or Firm—Allen, Dyer, Doppelt, Franjola & Milbrath, P.A.

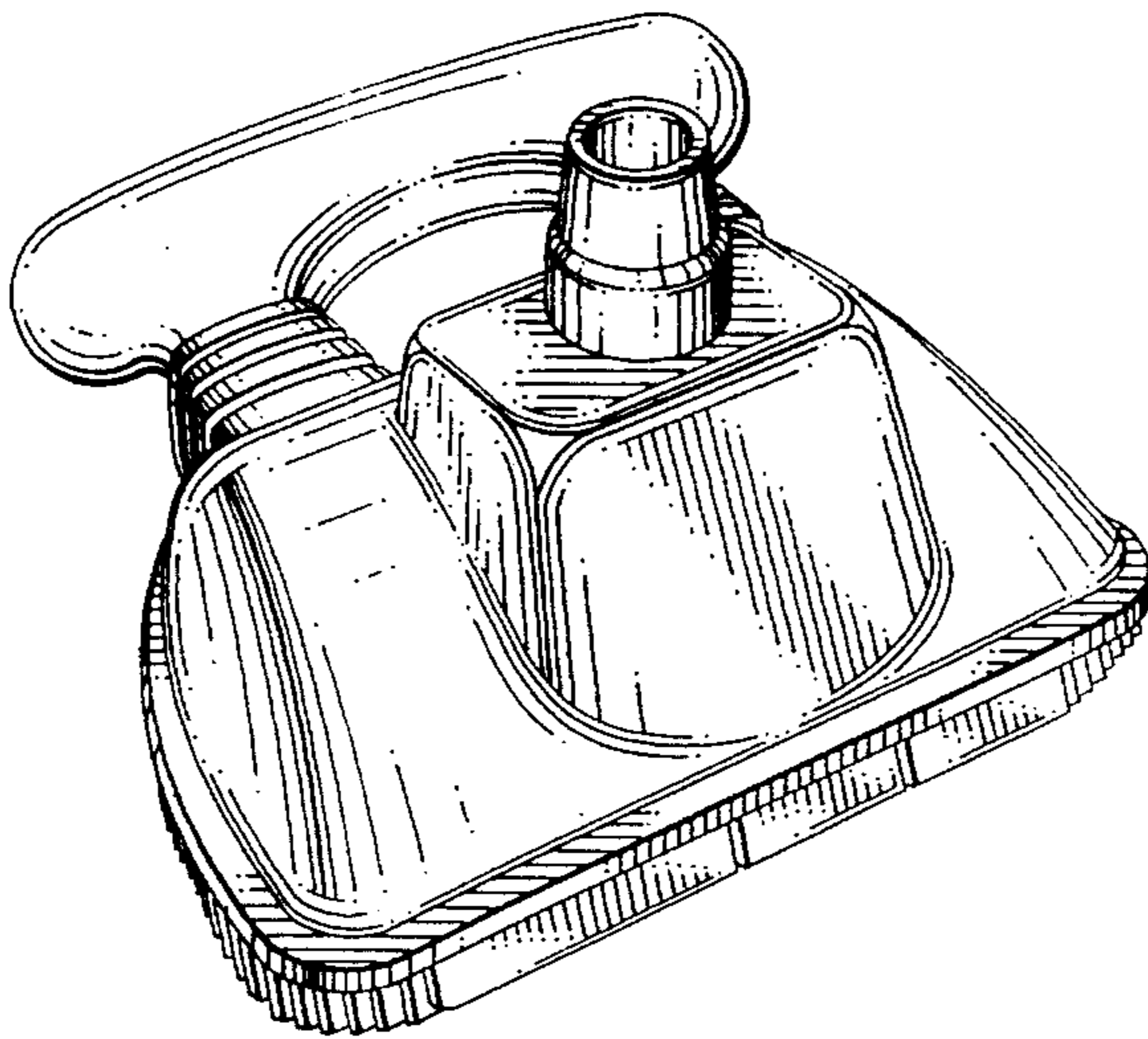
[57] CLAIM

The ornamental design for a submersible self-propelled pool cleaner, as shown.

DESCRIPTION

FIG. 1 is a top, left and rear perspective view of a pool cleaner showing our new design;
 FIG. 2 is a front elevational view thereof;
 FIG. 3 is a rear elevational view thereof;
 FIG. 4 is a top plan view thereof;
 FIG. 5 is a right side elevational view thereof, the left side being a mirror image;
 FIG. 6 is a bottom plan view thereof;
 FIG. 7 is a top, left and rear perspective view of a second embodiment thereof, the only difference being an elevation limiter having an inverted U-shaped element;
 FIG. 8 is a front elevational view thereof;
 FIG. 9 is a rear elevational view thereof;
 FIG. 10 is a top plan view thereof;
 FIG. 11 is a right side elevational view thereof, the left side being a mirror image;
 FIG. 12 is a bottom plan view thereof;
 FIG. 13 is a bottom plan view of a third embodiment of FIG. 1, the top, sides, front and rear being the same as the first embodiment;
 FIG. 14 is a top, left and rear perspective view of a fourth embodiment thereof, the only difference being apertures on the elevation limiter;
 FIG. 15 is a right side elevational view of a fifth embodiment of FIG. 1, the only difference being a flexible bellows coupling on the top surface;
 FIG. 16 is a top plan view of a sixth embodiment of FIG. 1, the only difference being a direct connection of the elevation limiter with the housing portion;
 FIG. 17 is a right side elevational view of FIG. 16, the left side being a mirror image;
 FIG. 18 is a top plan view of a seventh embodiment of FIG. 1, the only difference being a direct connection of the U-shaped elevator limiter with the housing portion; and,
 FIG. 19 is a right side elevational view of FIG. 18, the left side being a mirror image.

1 Claim, 3 Drawing Sheets



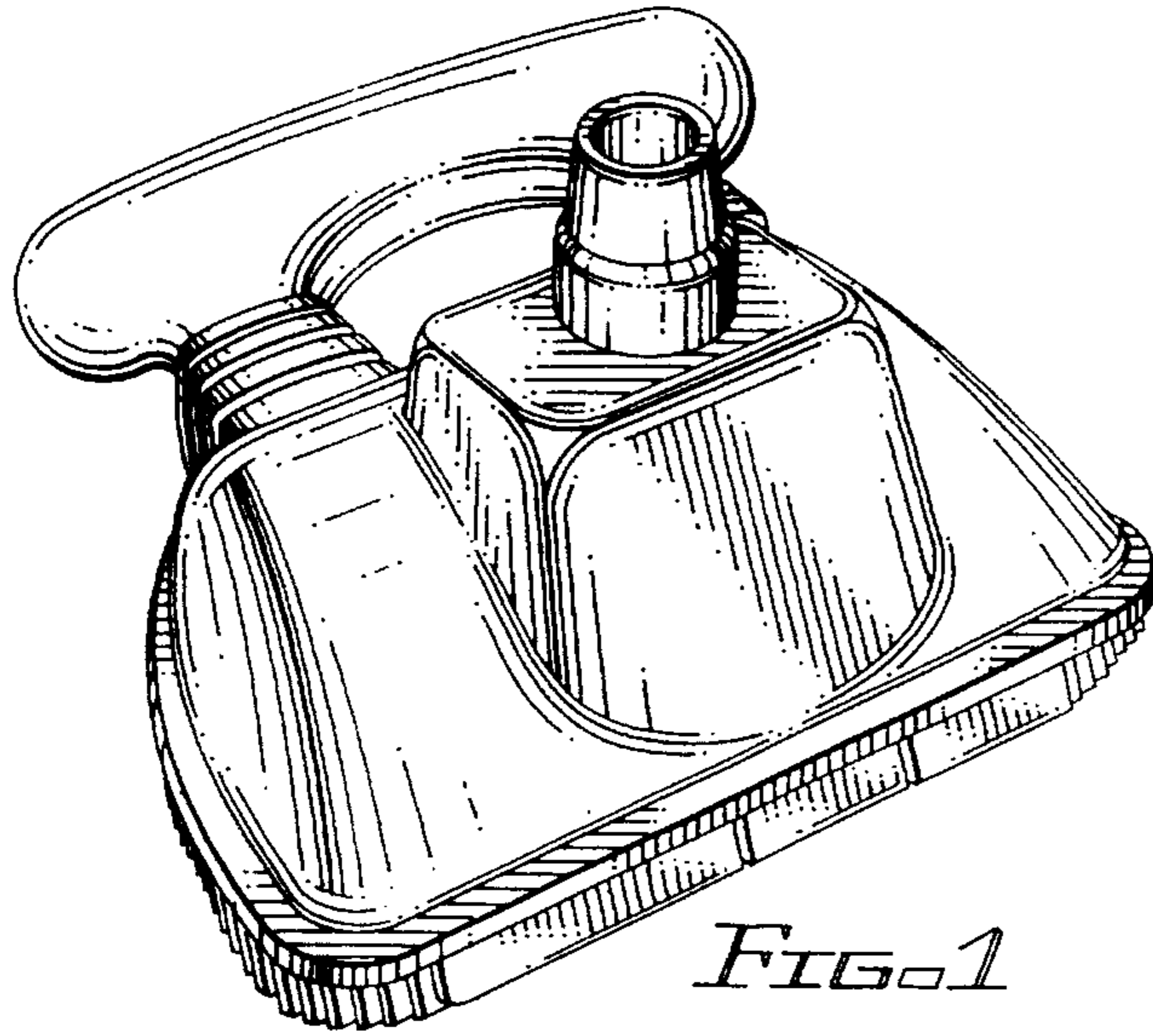


FIG. 1

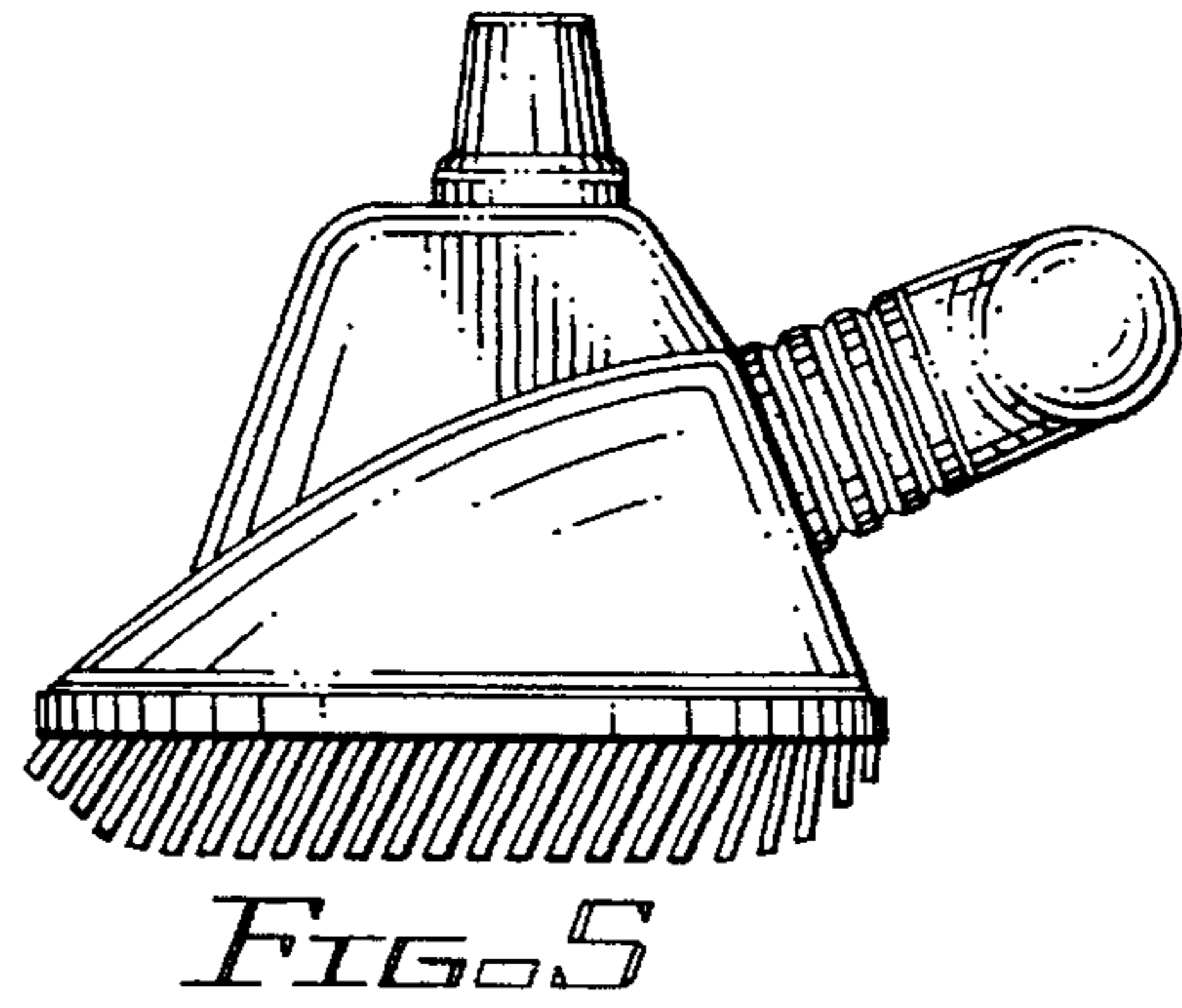


FIG. 5

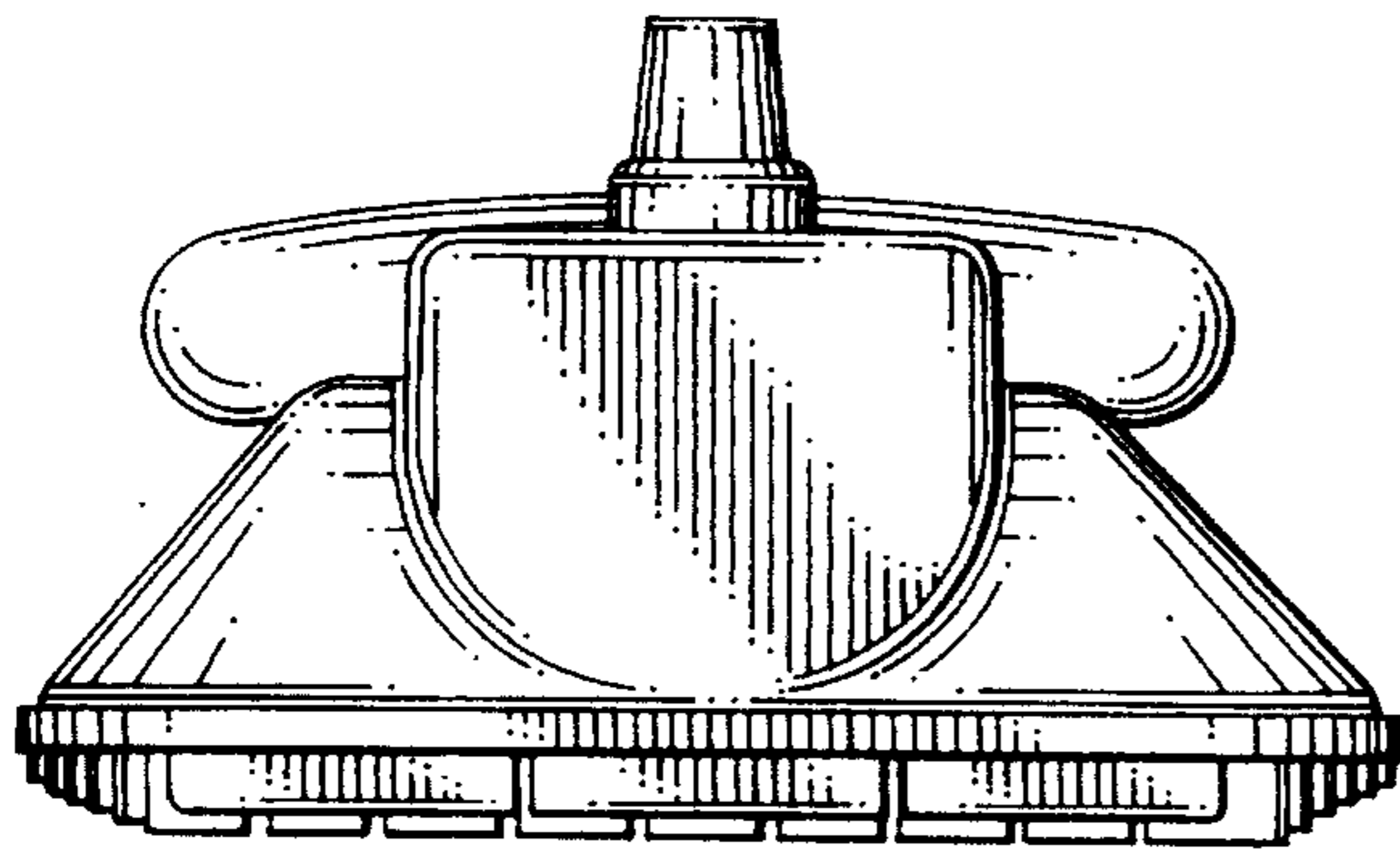


FIG. 3

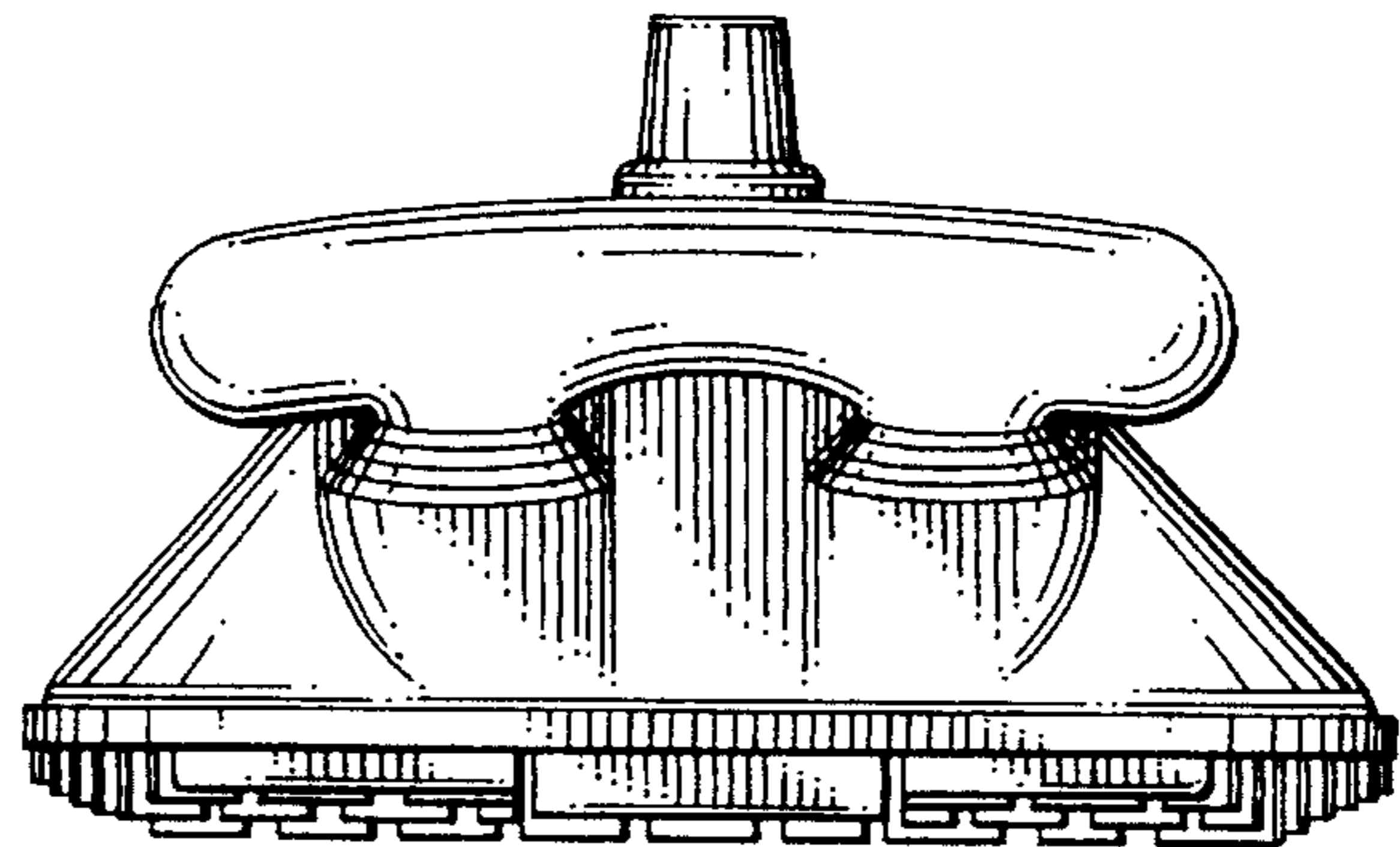


FIG. 2

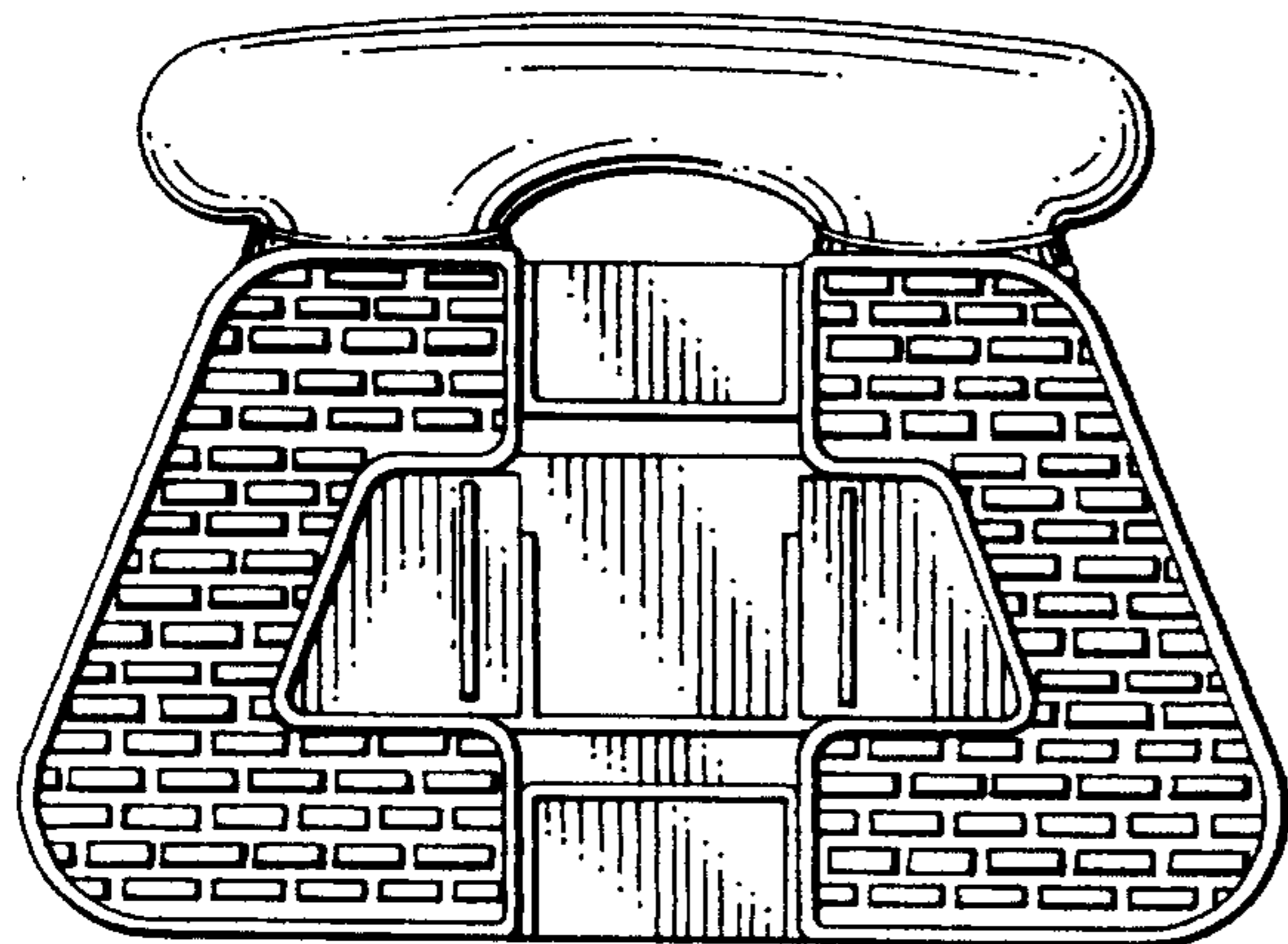


FIG. 6

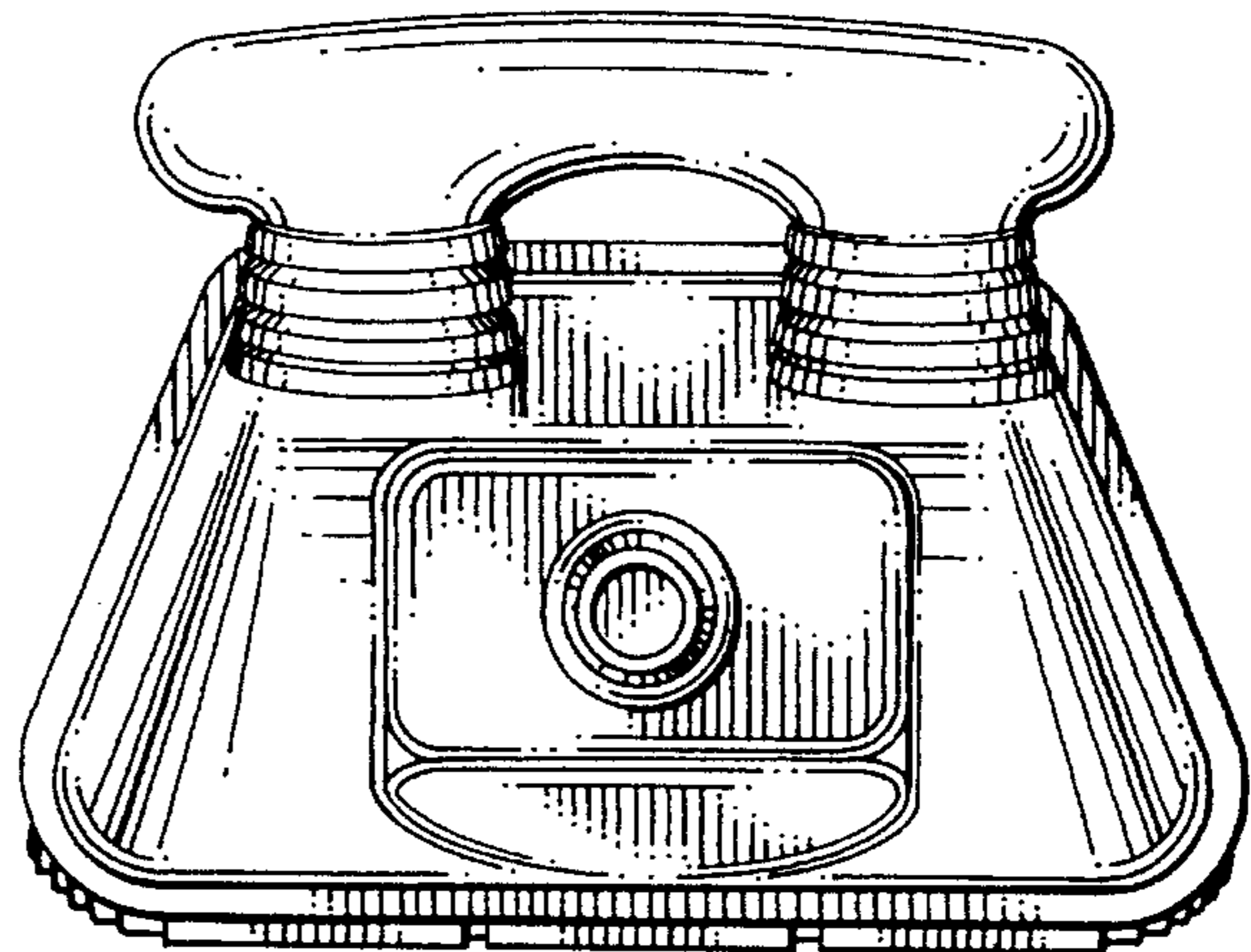


FIG. 4

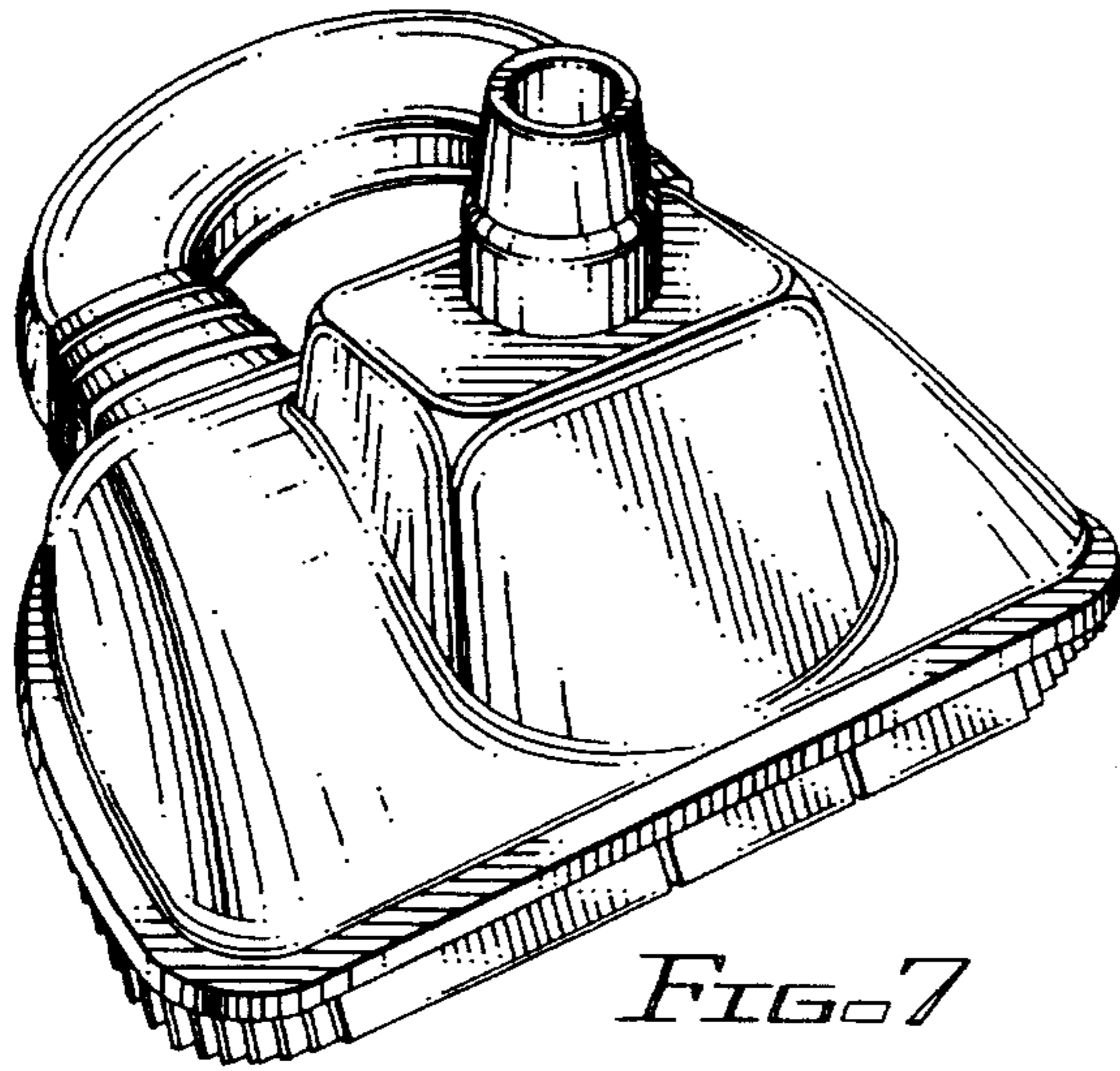


FIG. 7

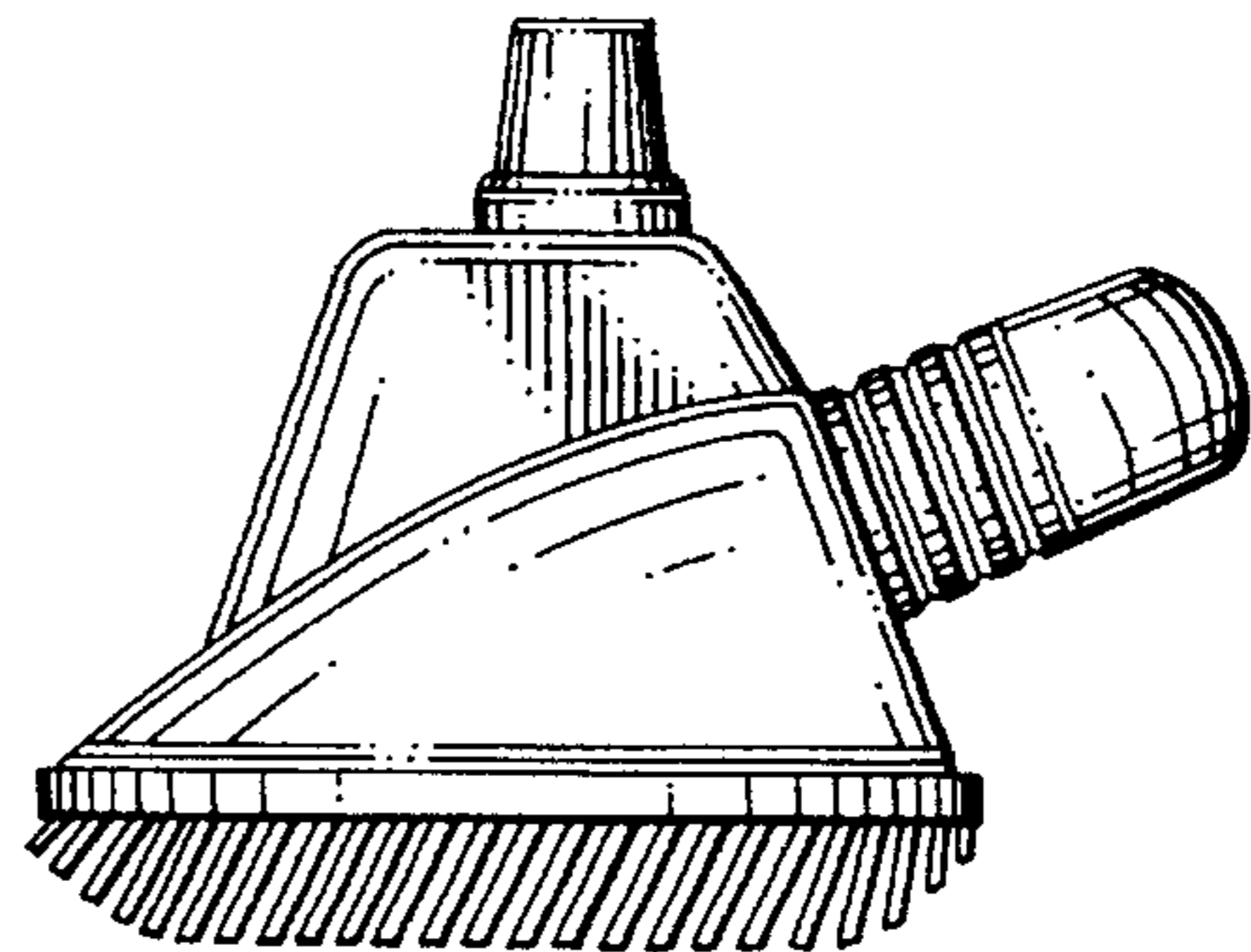


FIG. 11

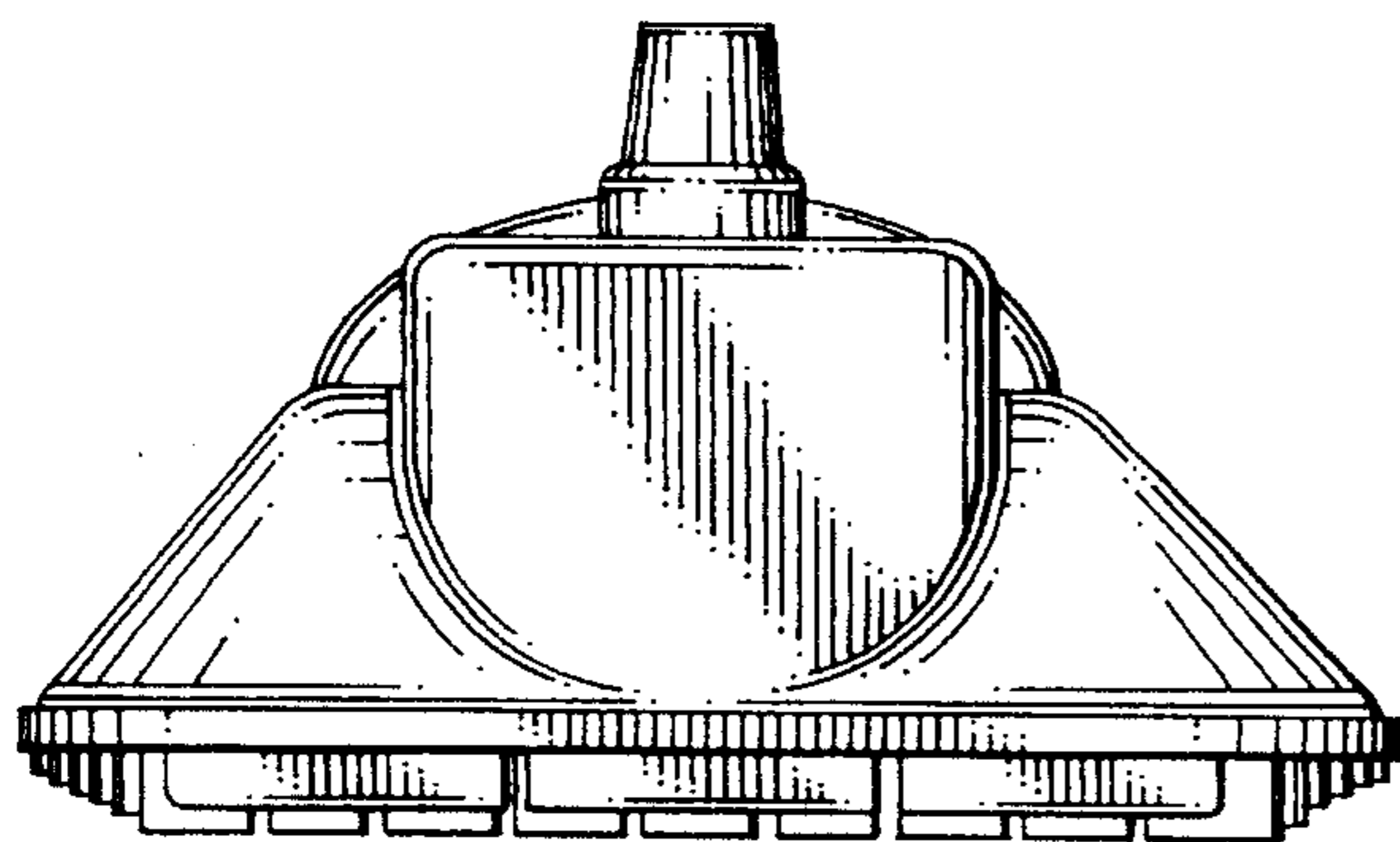


FIG. 9

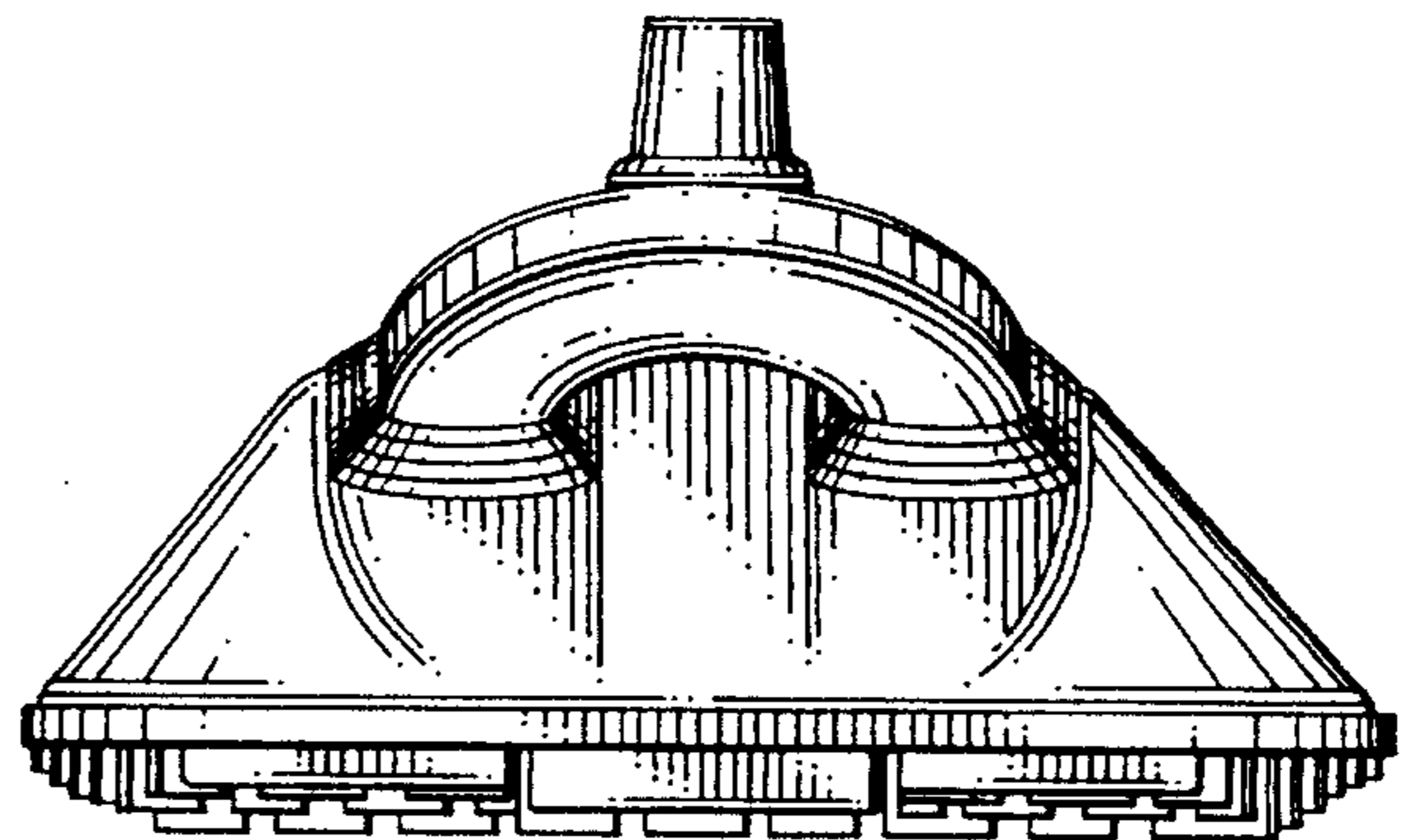


FIG. 8

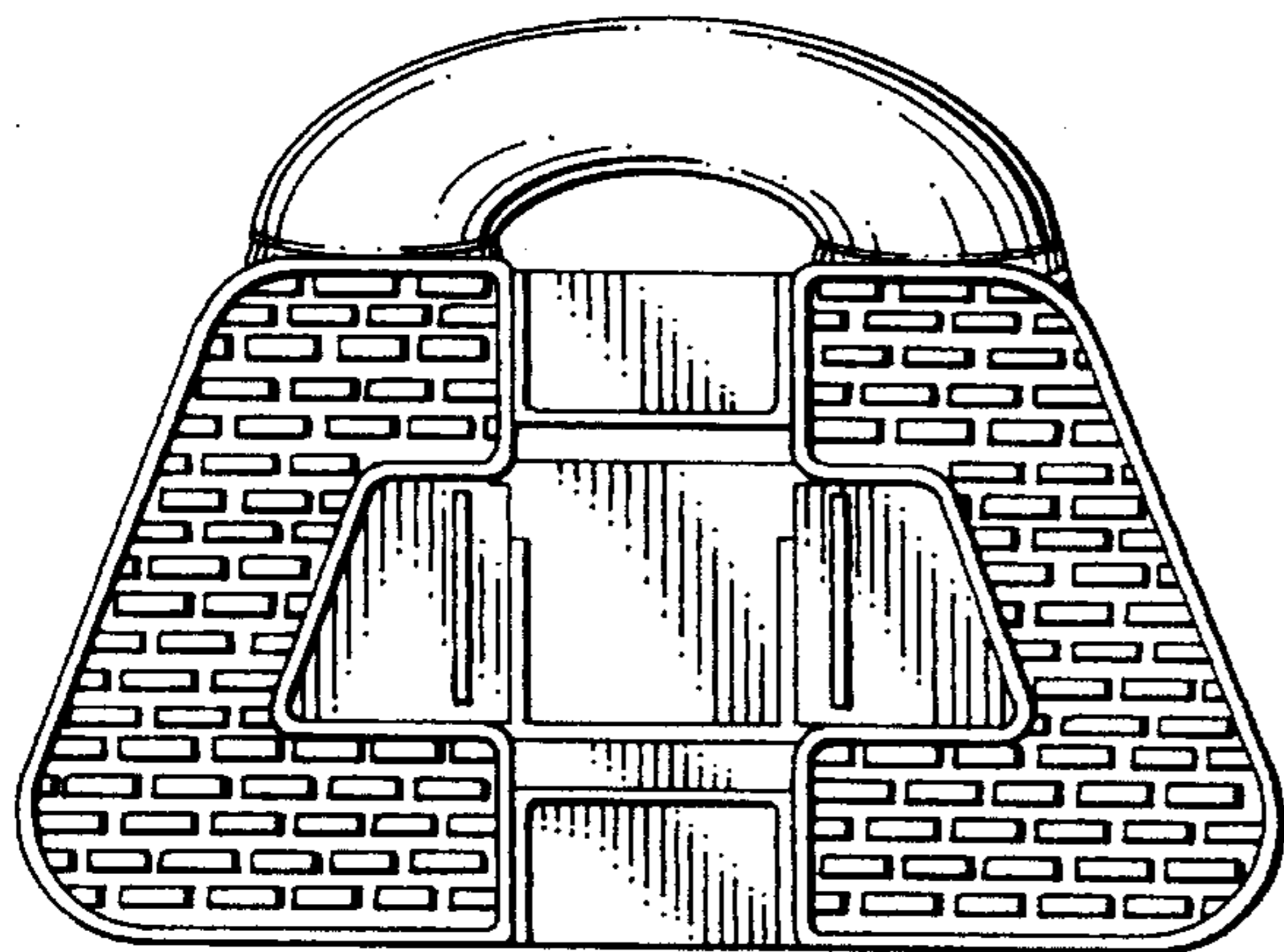


FIG. 12

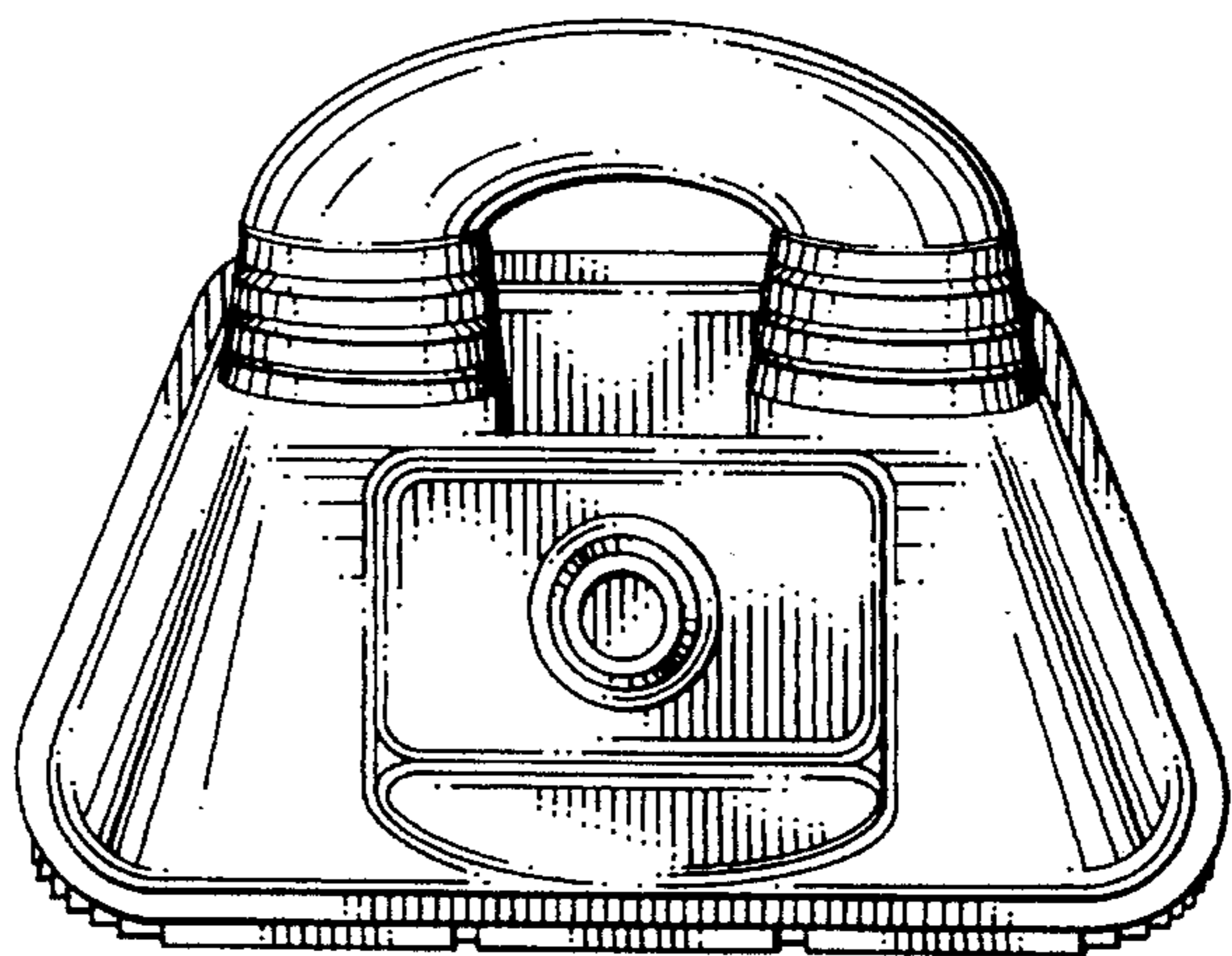


FIG. 10

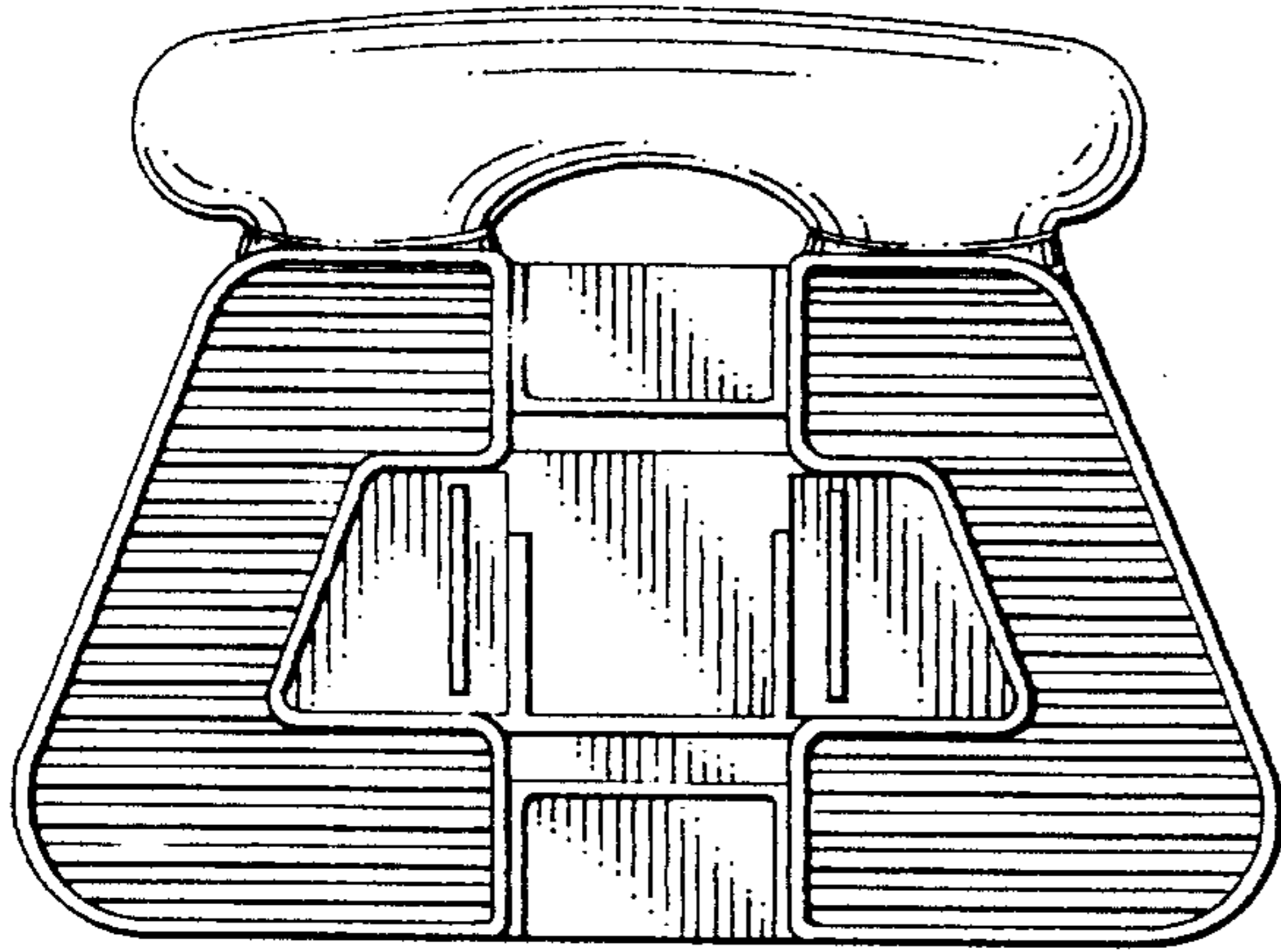


FIG. 13

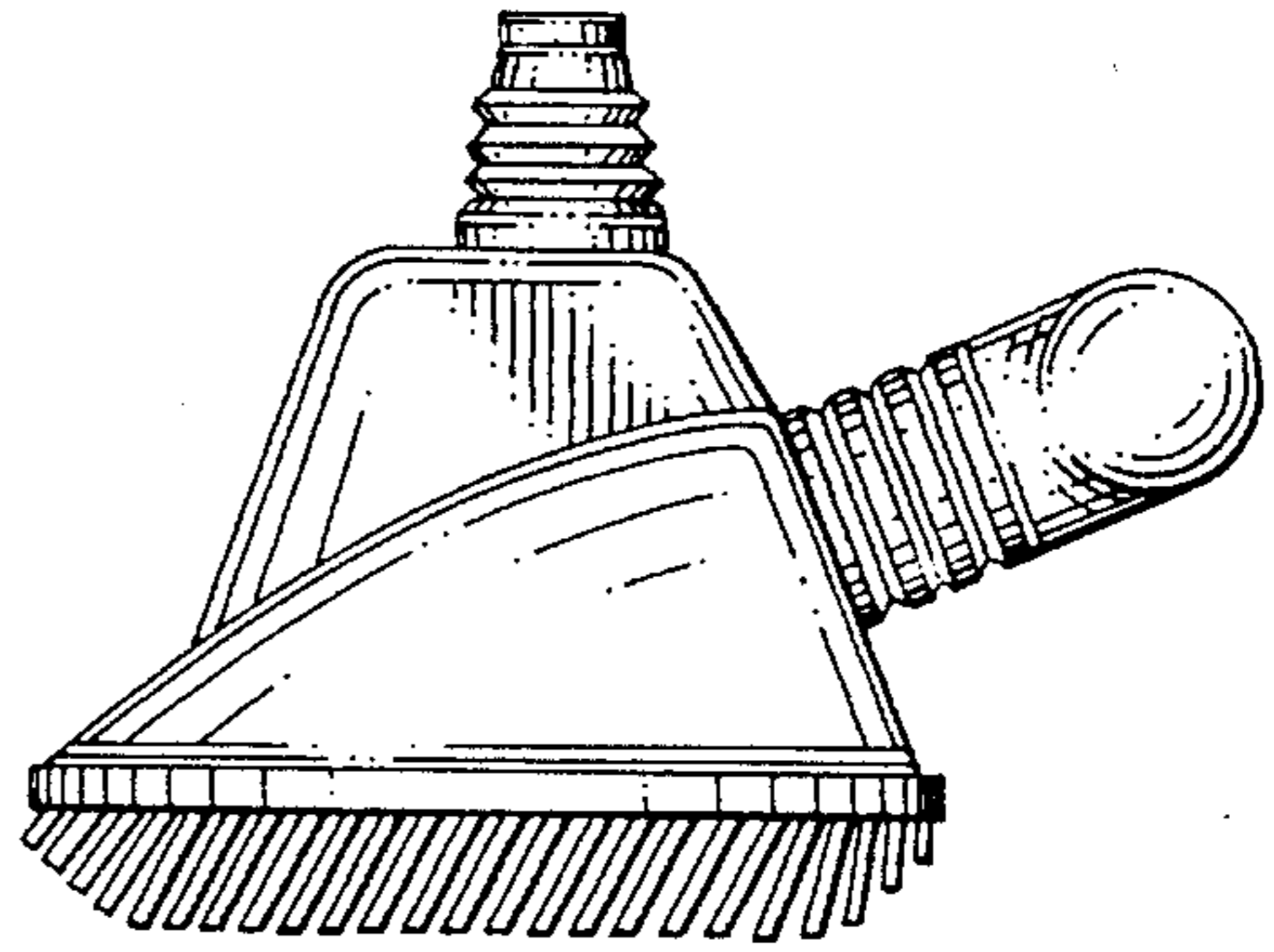


FIG. 15

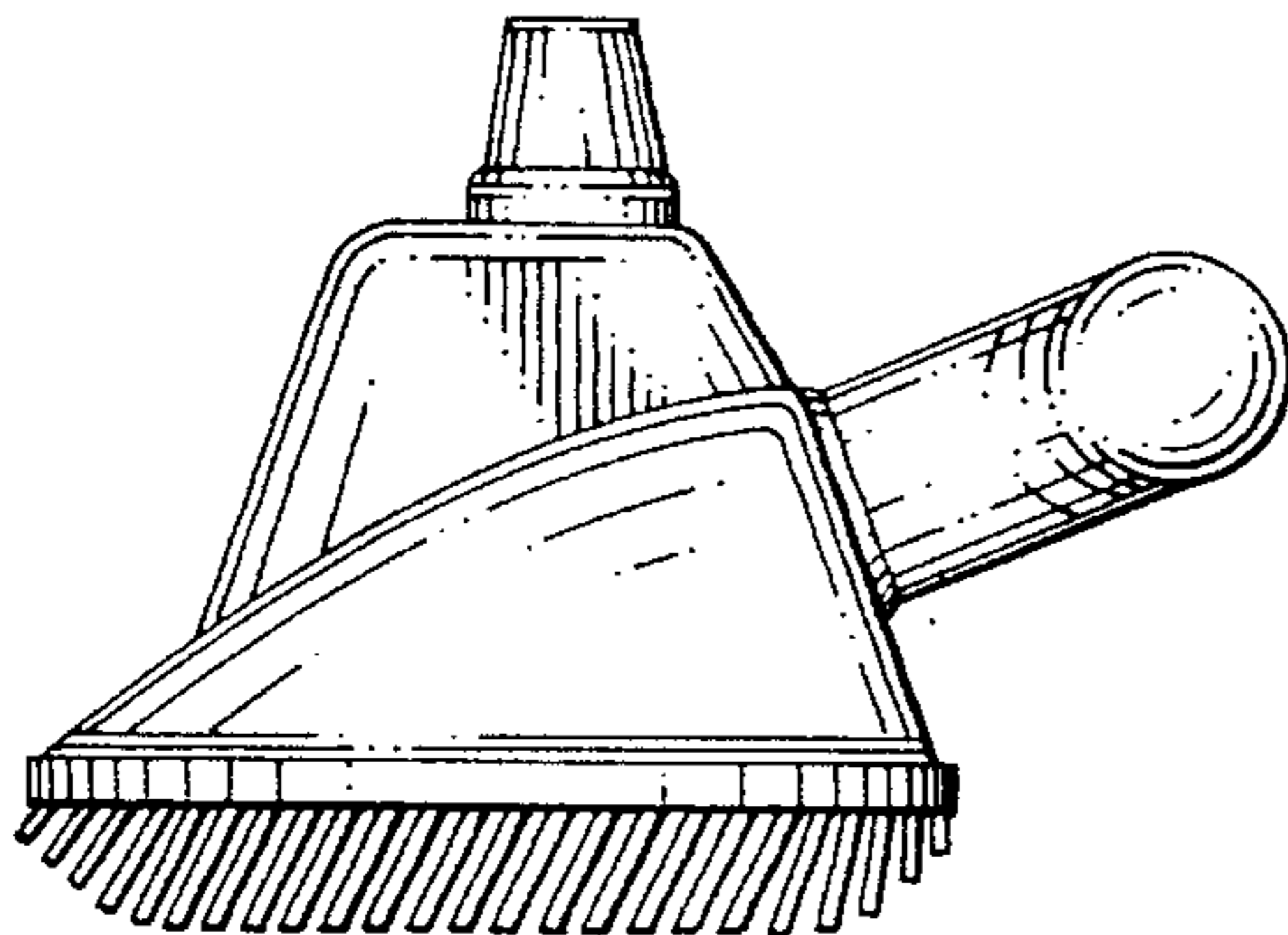


FIG. 17

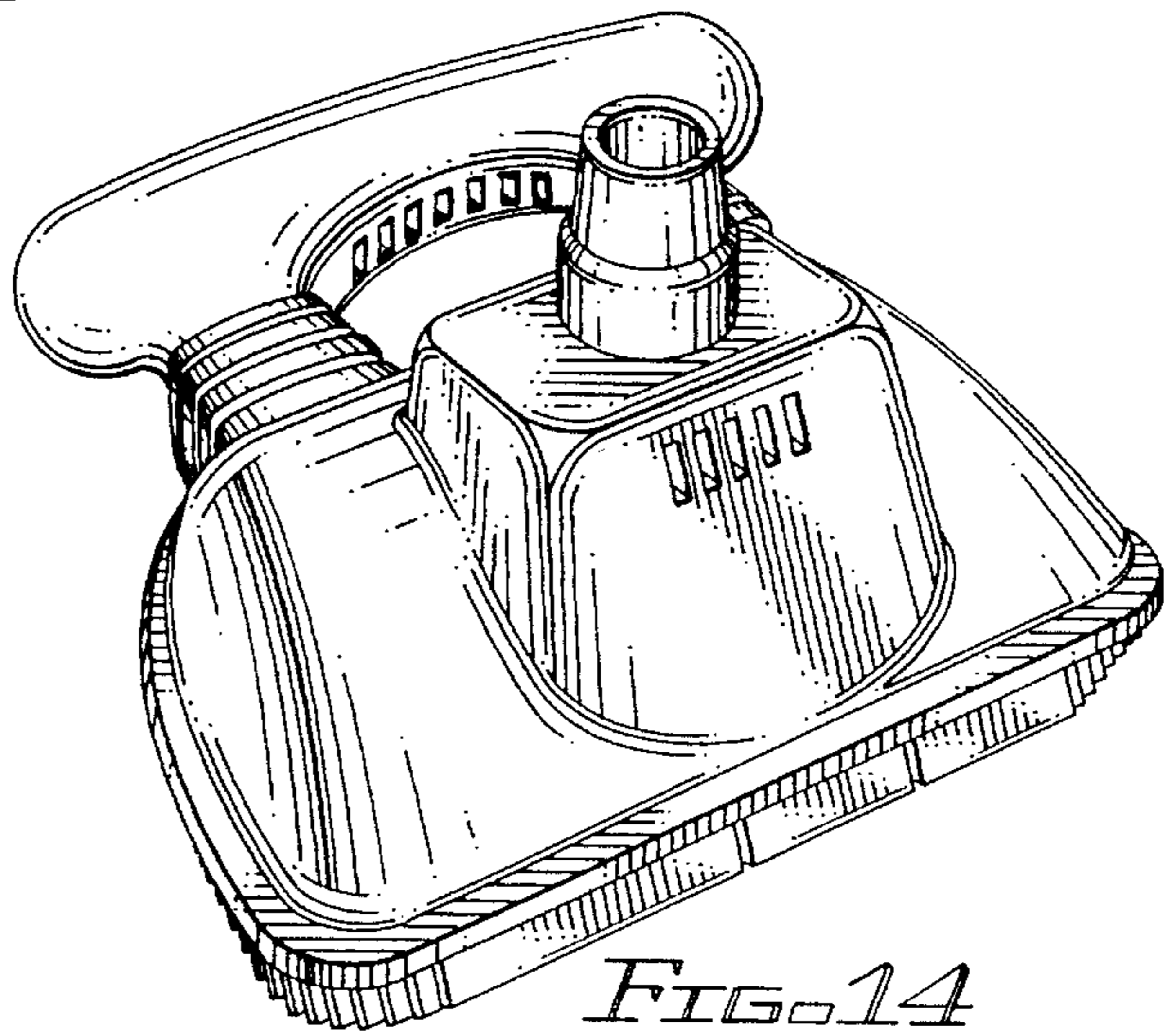


FIG. 14

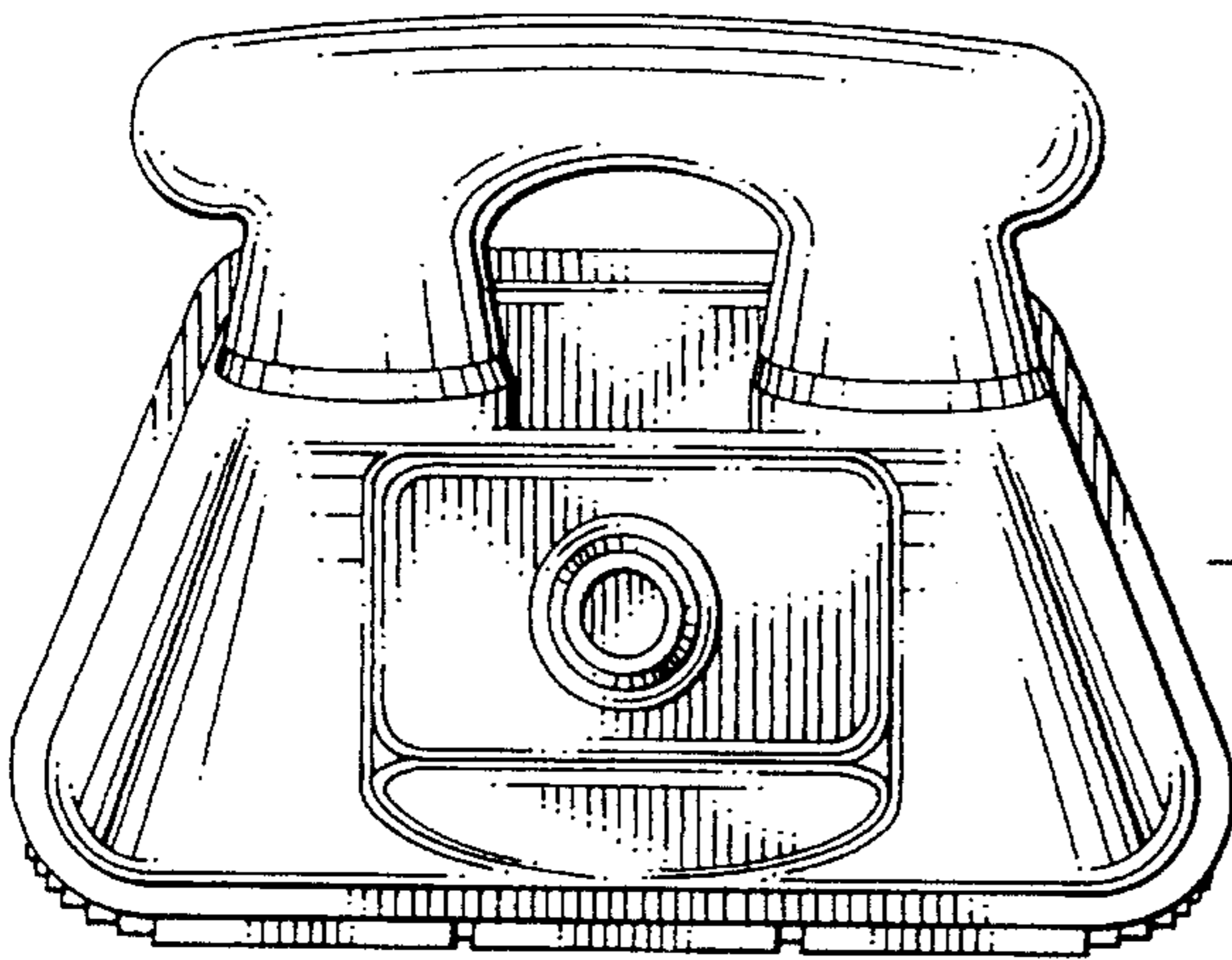


FIG. 16

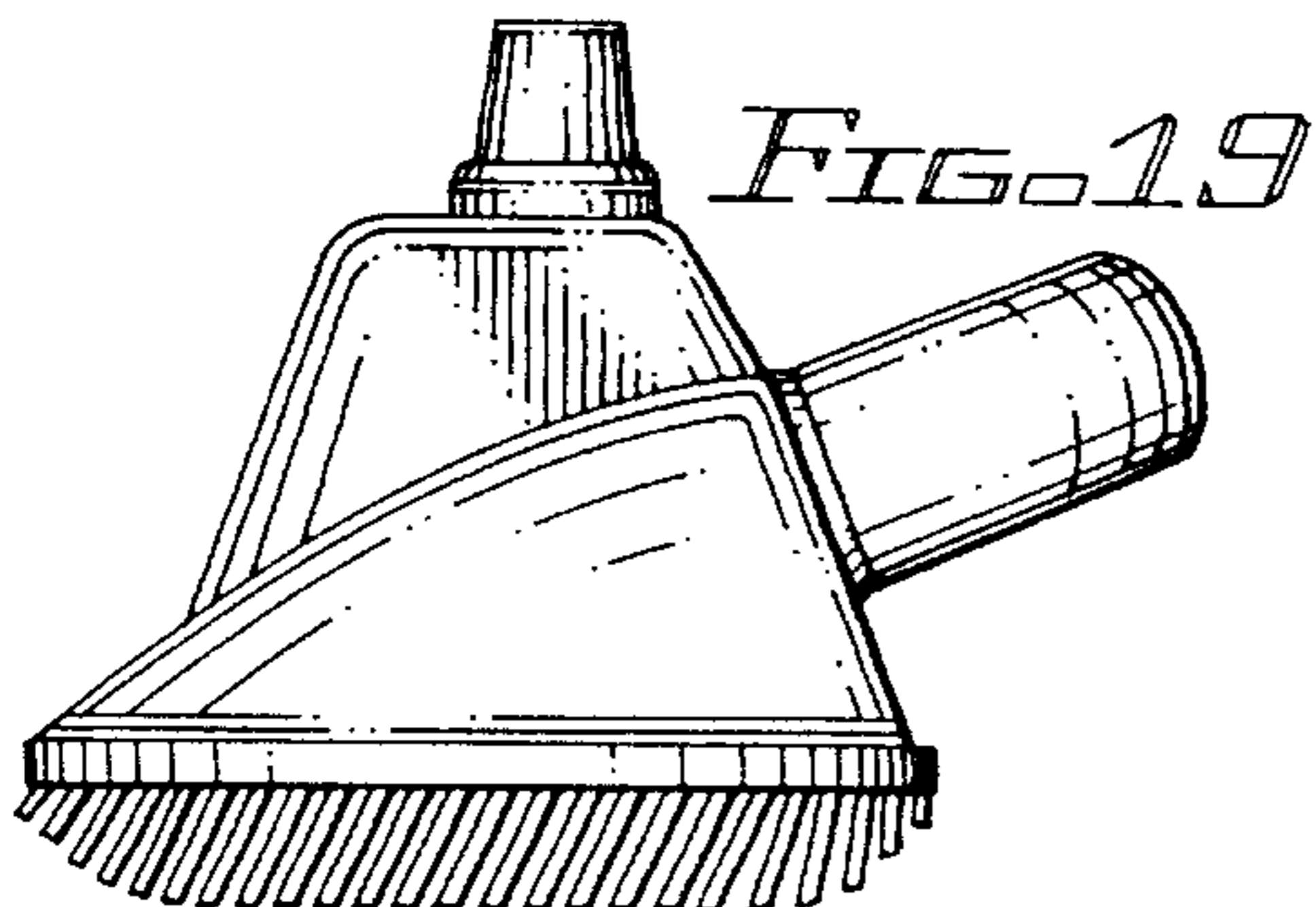


FIG. 19

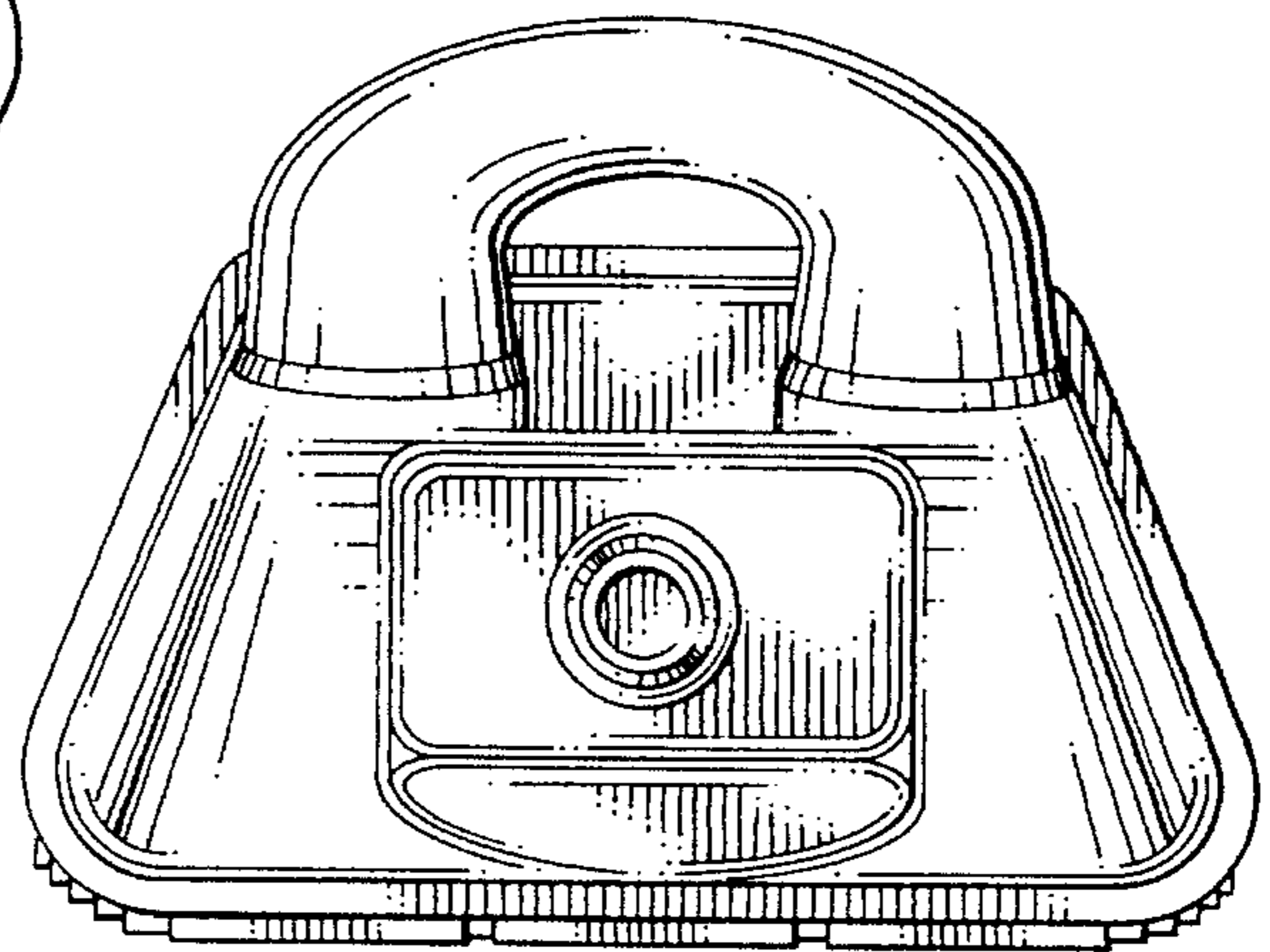


FIG. 18