



US00D373229S

**United States Patent** [19]  
**O'Rourke et al.**

[11] **Patent Number: Des. 373,229**  
[45] **Date of Patent: \*\*Aug. 27, 1996**

[54] **CHEW TOY FOR DOGS**  
[75] Inventors: **Anthony O'Rourke**, Malibu; **Charles Byrne**, Mammoth Lakes, both of Calif.  
[73] Assignee: **Booda Products, Inc.**, Gardena, Calif.  
[\*\*] Term: **14 Years**  
[21] Appl. No.: **12,064**  
[22] Filed: **Aug. 20, 1993**

D. 311,759 10/1990 Thomson et al. .... D21/65  
D. 329,260 9/1992 Williams ..... D21/65  
D. 356,879 3/1995 O'Rourke ..... D30/160  
4,031,655 6/1977 Ponciano et al. .... D21/64

*Primary Examiner*—Cathy Anne MacCormac  
*Attorney, Agent, or Firm*—Lyon & Lyon

[57] **CLAIM**

The ornamental design for a chew toy for dogs, as shown and described.

**DESCRIPTION**

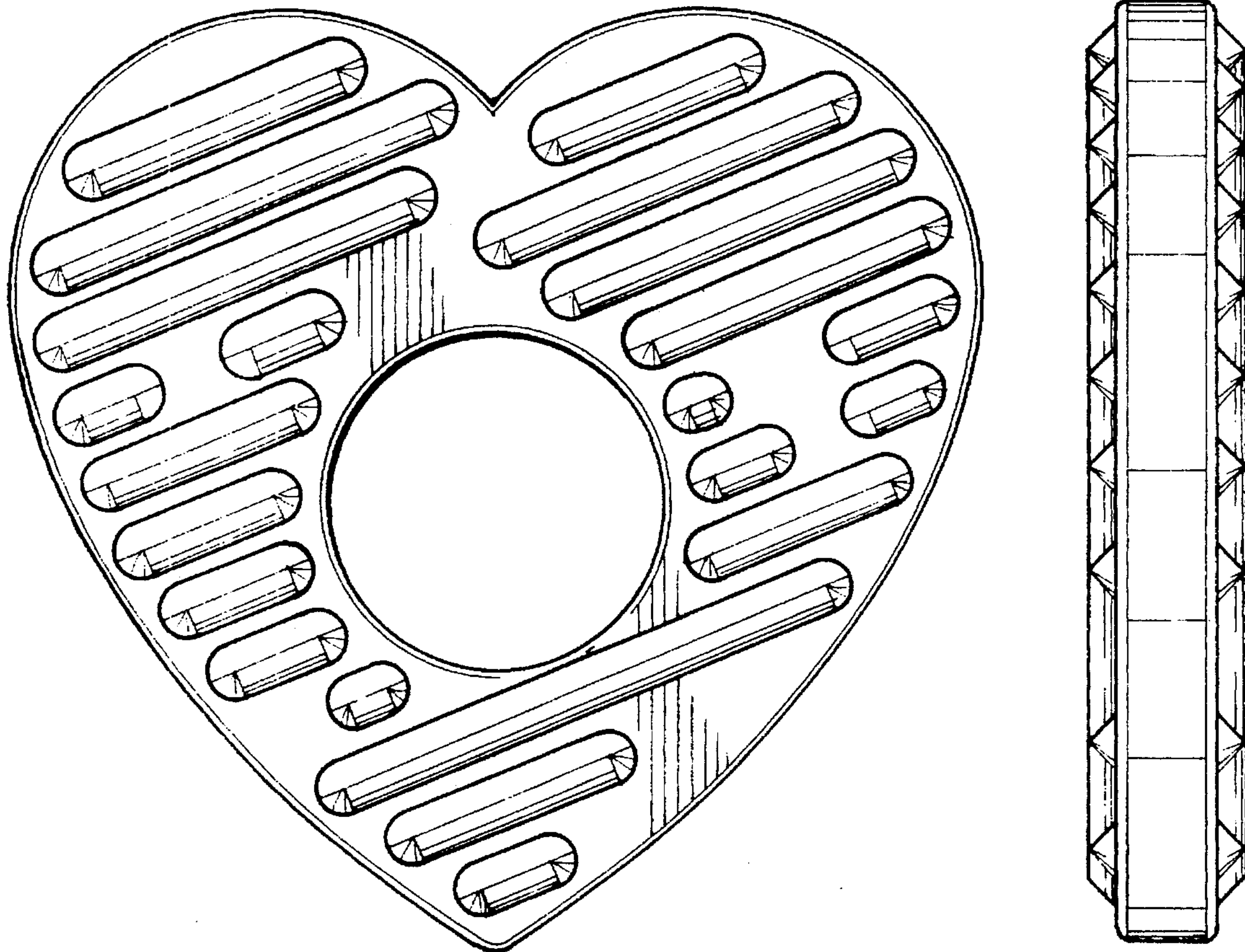
FIG. 1 is a front elevational view of a chew toy for dogs showing our new design wherein the backside is identical to the front side;  
FIG. 2 is a right side elevational view thereof which is identical to the left side thereof;  
FIG. 3 is a top plan view thereof;  
FIG. 4 is a bottom plan view thereof; and,  
FIG. 5 is a side elevational view thereof.

[52] **U.S. Cl.** ..... **D30/160; D21/65**  
[58] **Field of Search** ..... 119/708, 709,  
119/710; D21/62-65; 446/419; D30/160,  
158

[56] **References Cited**  
**U.S. PATENT DOCUMENTS**

D. 264,630 5/1982 Nakao et al. .... D21/65

**1 Claim, 1 Drawing Sheet**



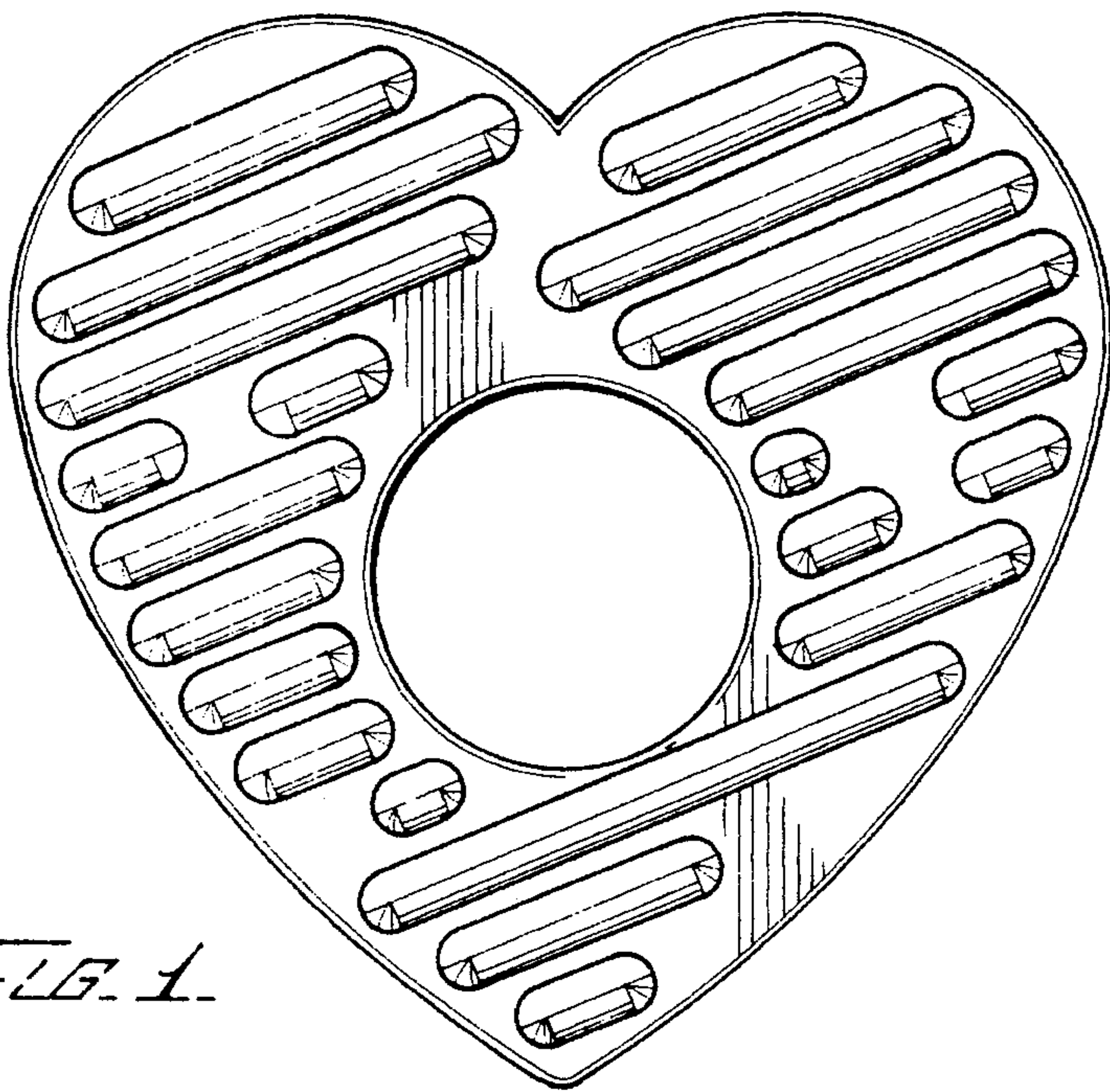


FIG. 1.

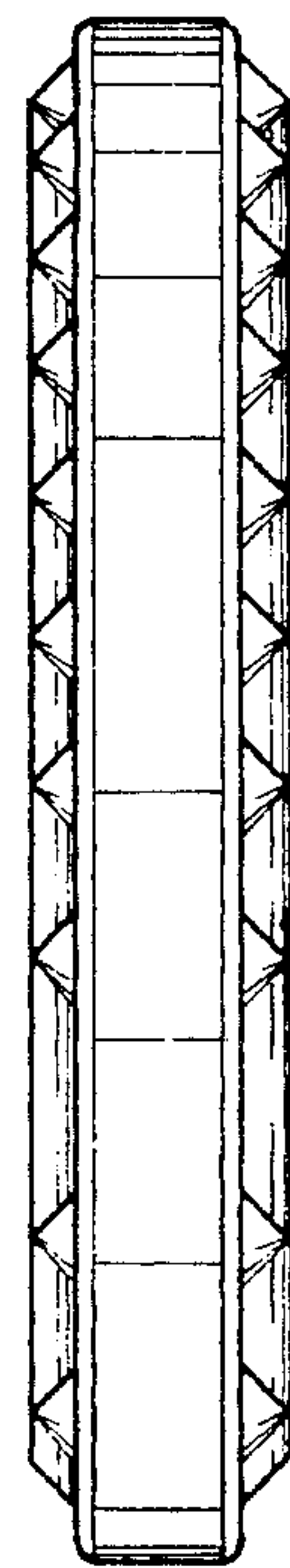


FIG. 2.

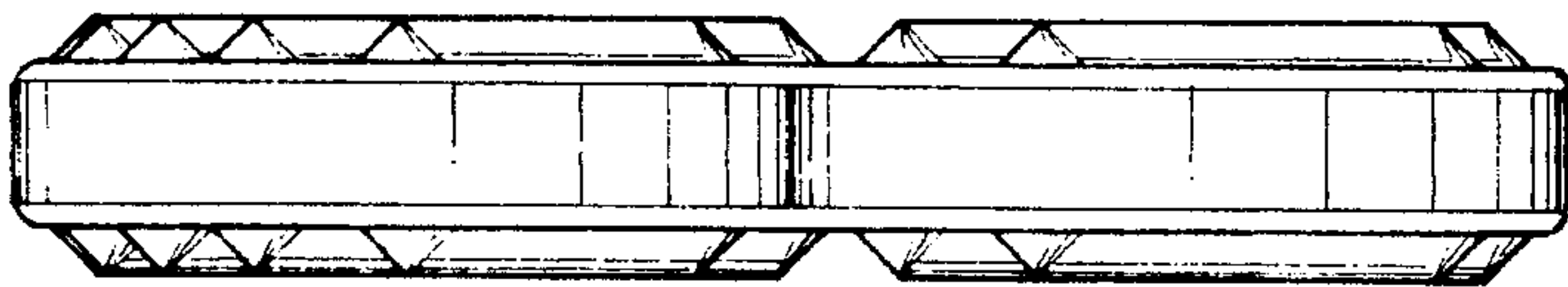


FIG. 3.

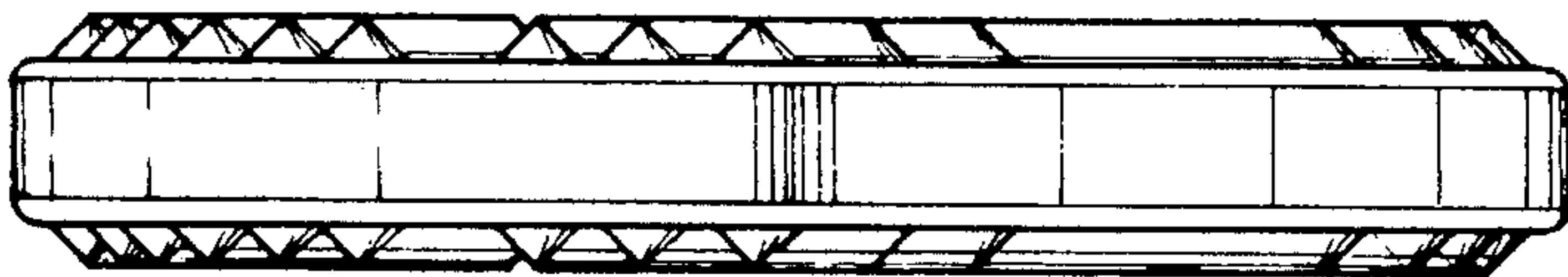


FIG. 4.

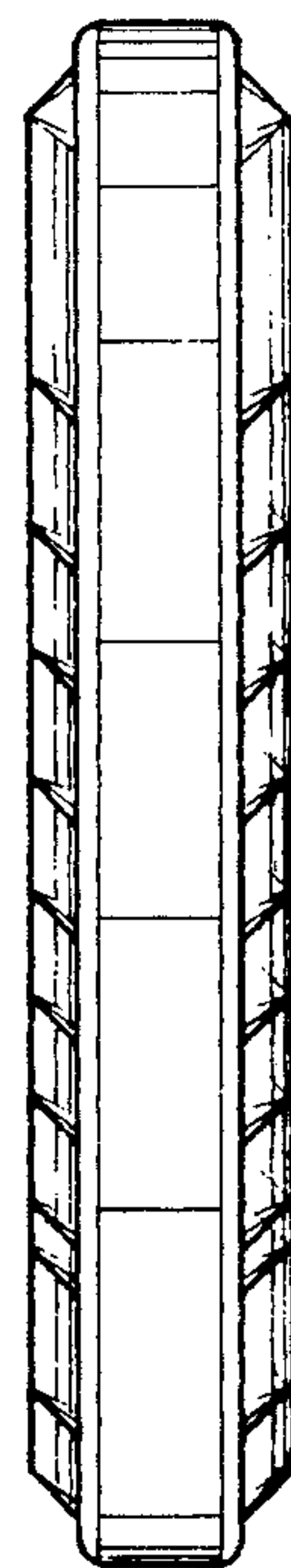


FIG. 5.