



US00D373226S

United States Patent [19]

Bloom et al.

[11] Patent Number: Des. 373,226

[45] Date of Patent: **Aug. 27, 1996

[54] **COMBINED MULTI-CHUTE BIRD FEEDER WITH RECAPTURE BIN**

[76] Inventors: **David S. Bloom; Michael A. Bloom; Drucella A. Bloom; Timothy K. Bloom**, all of 7203 W. Wier Ave., Phoenix, Ariz. 85043

[**] Term: **14 Years**

[21] Appl. No.: **20,995**

[22] Filed: **Apr. 6, 1994**

[52] U.S. Cl. **D30/124**

[58] Field of Search D30/110-111, D30/124-128; 119/23, 57.8, 75.9, 52.2-52.3, 51.04, 51.01, 77, 57.91

[56] **References Cited**

U.S. PATENT DOCUMENTS

D. 181,625	12/1957	Briggs	D30/124
D. 194,109	11/1962	Dilley	D30/126
D. 278,372	4/1985	Hartwick	D30/124
D. 290,414	4/1987	Gerber	D30/128
D. 331,132	11/1992	Maddocks	D30/121
D. 334,636	4/1993	Honeycutt	D30/124
D. 350,627	9/1994	Moniak	D30/124
D. 351,690	10/1994	Honeycutt	D30/124
2,434,705	4/1953	Mayer	D30/127

OTHER PUBLICATIONS

Hagerstrom Handcrafted Metal Ornaments Brochure; May 25, 1954; p. 21; Swing Feeder, No. 251.
Blarney Woolen Mills Company Catalog; #152601 Wild Bird Window Habitat.

Winterthur Fall 1990 Catalog; p. 26; #986 Bird Feeder.

Primary Examiner—Cathy Anne MacCormac
Attorney, Agent, or Firm—Laura J. Zeman

[57] **CLAIM**

The ornamental design of a combined multi-chute bird feeder with recapture bin, as shown and described in the drawings.

DESCRIPTION

FIG. 1 is a right side perspective view of a combined multi-chute bird feeder with recapture bin showing our new design;

FIG. 2 is a bottom plan view thereof;

FIG. 3 is a left side elevational view thereof;

FIG. 4 is a front elevational view thereof;

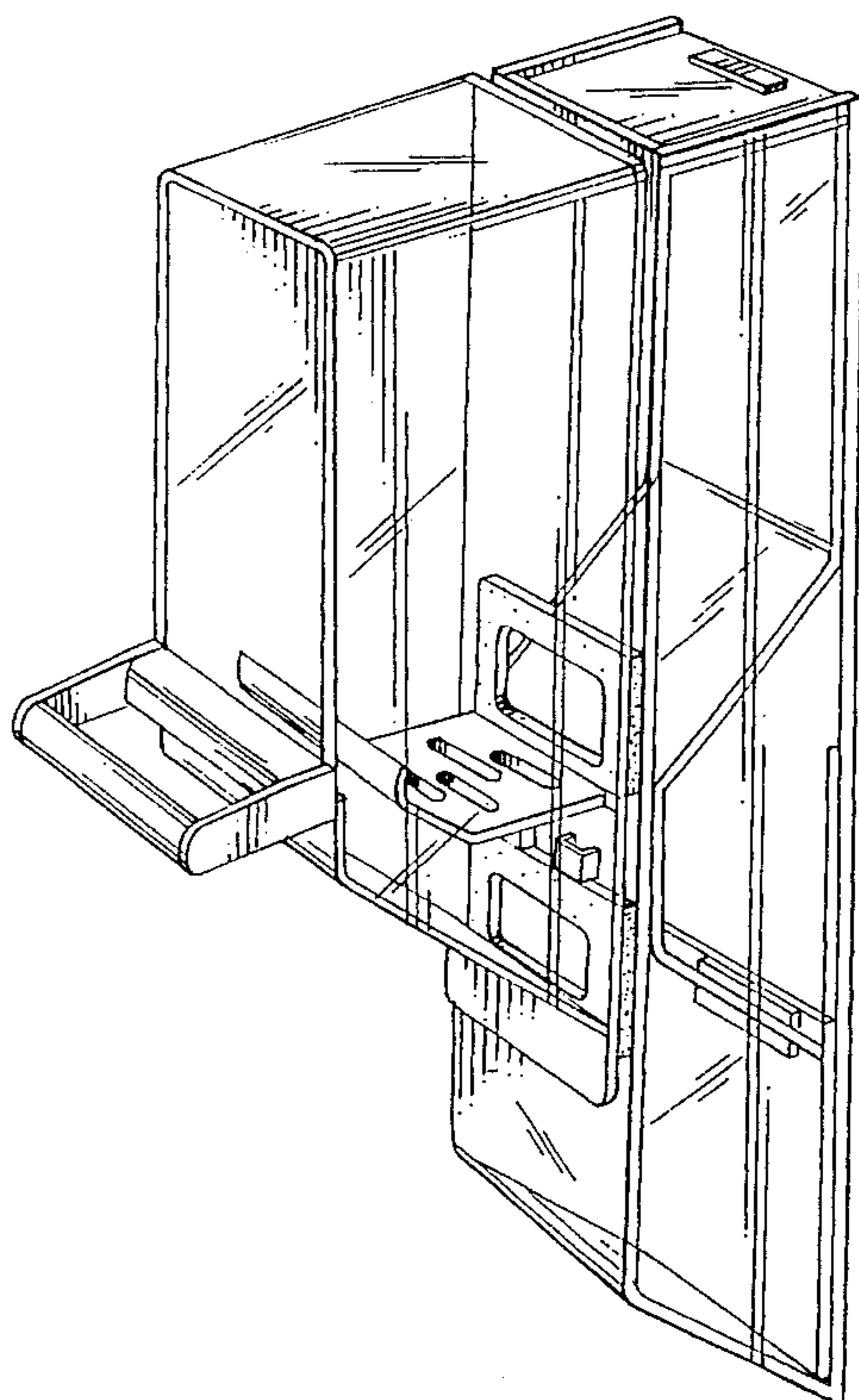
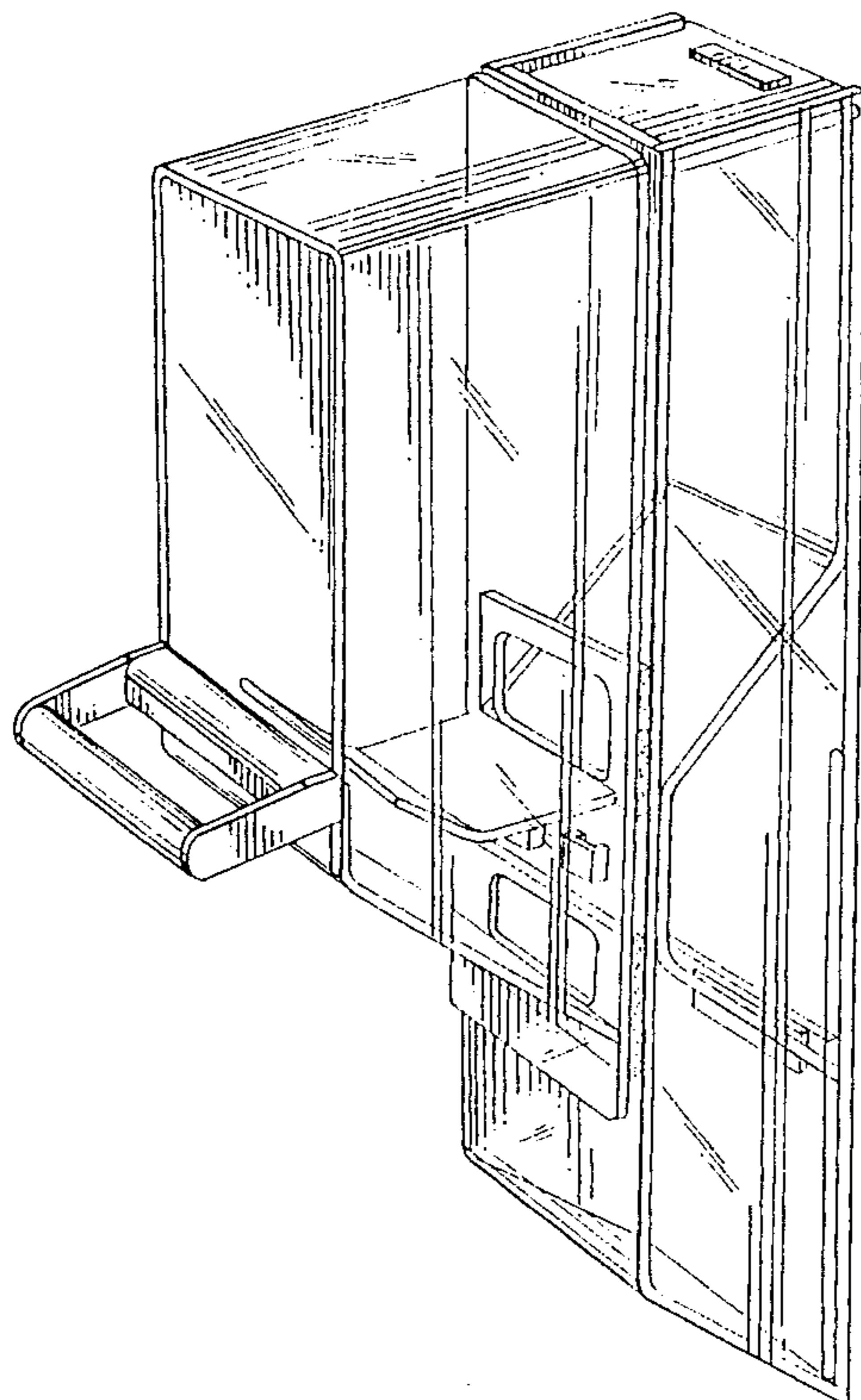
FIG. 5 is a top plan view thereof;

FIG. 6 is a rear elevational view thereof;

FIG. 7 is a right side perspective view of a second embodiment of FIG. 1; and,

FIG. 8 is a top plan view of FIG. 7, the bottom plan view being substantially identical to FIG. 2 except for the interior slotted trough and all other views are identical to the first embodiment.

1 Claim, 3 Drawing Sheets



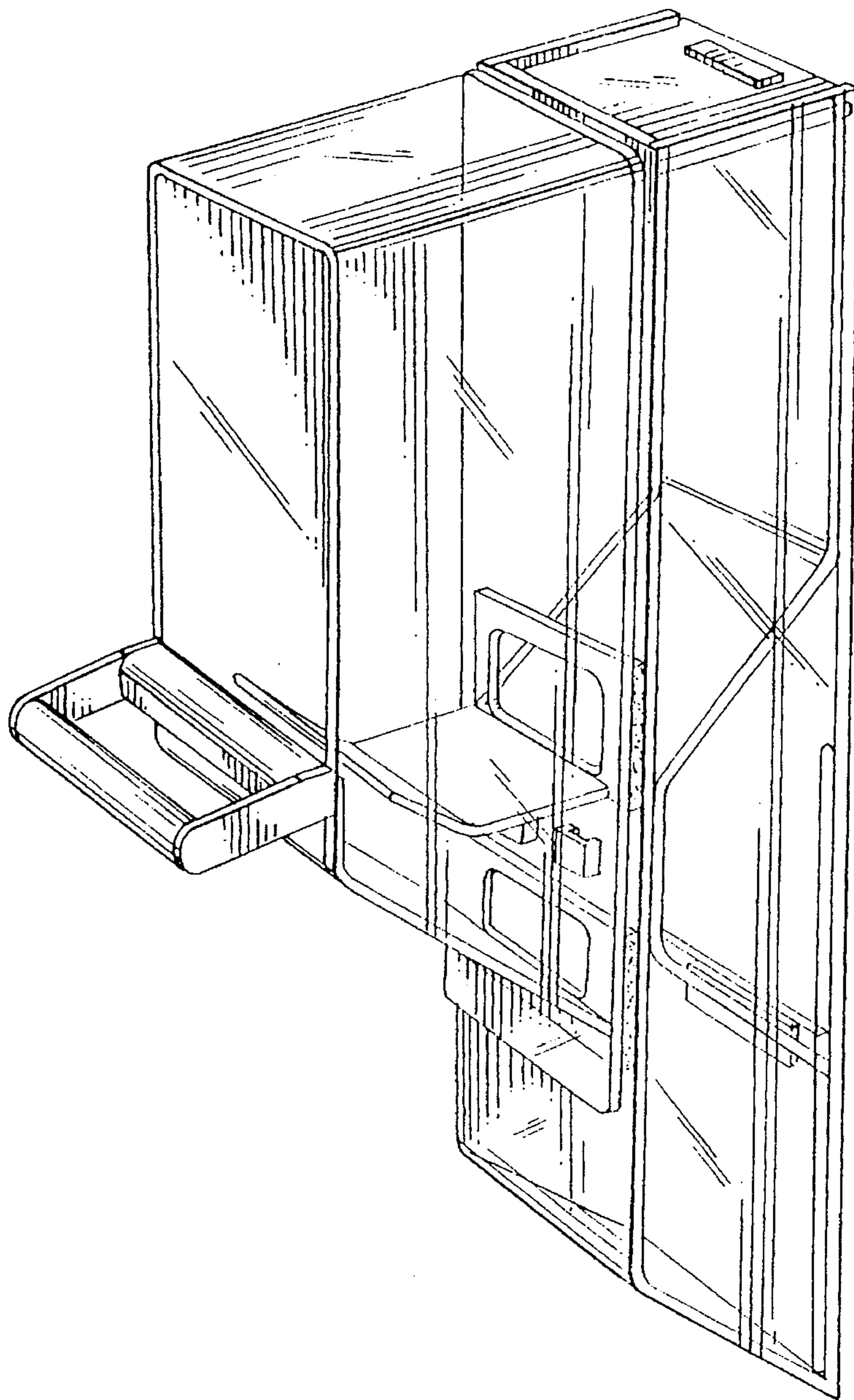


Fig. 1

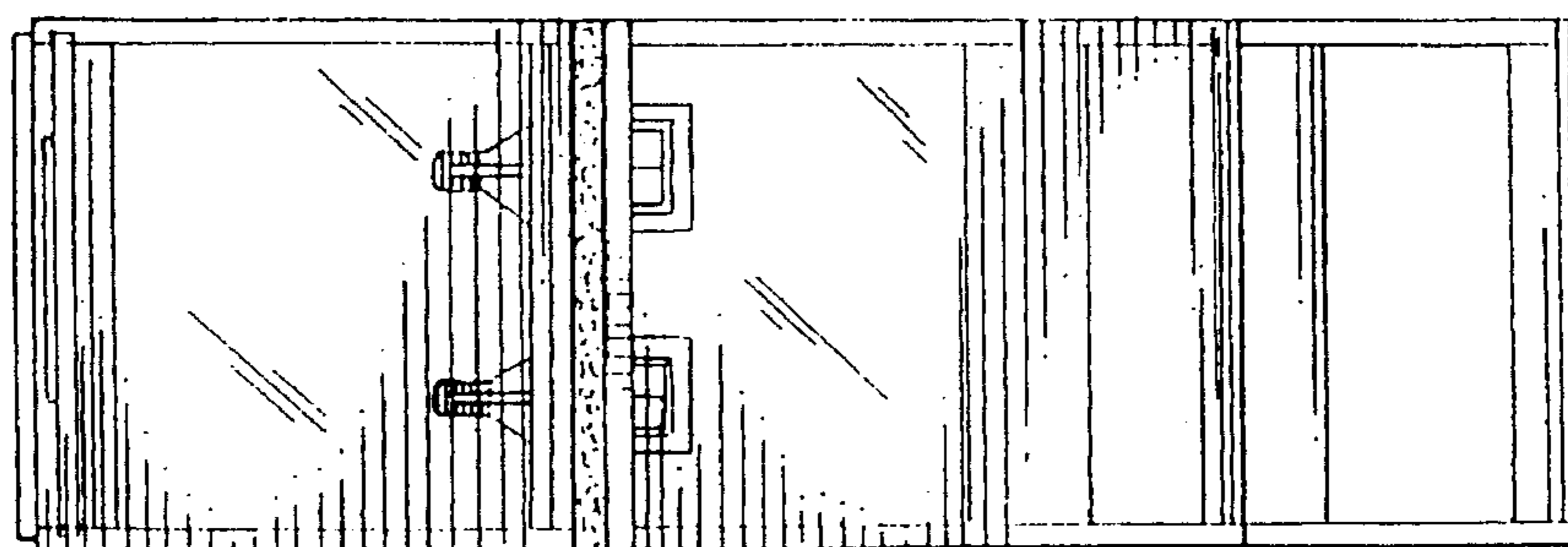


Fig. 2

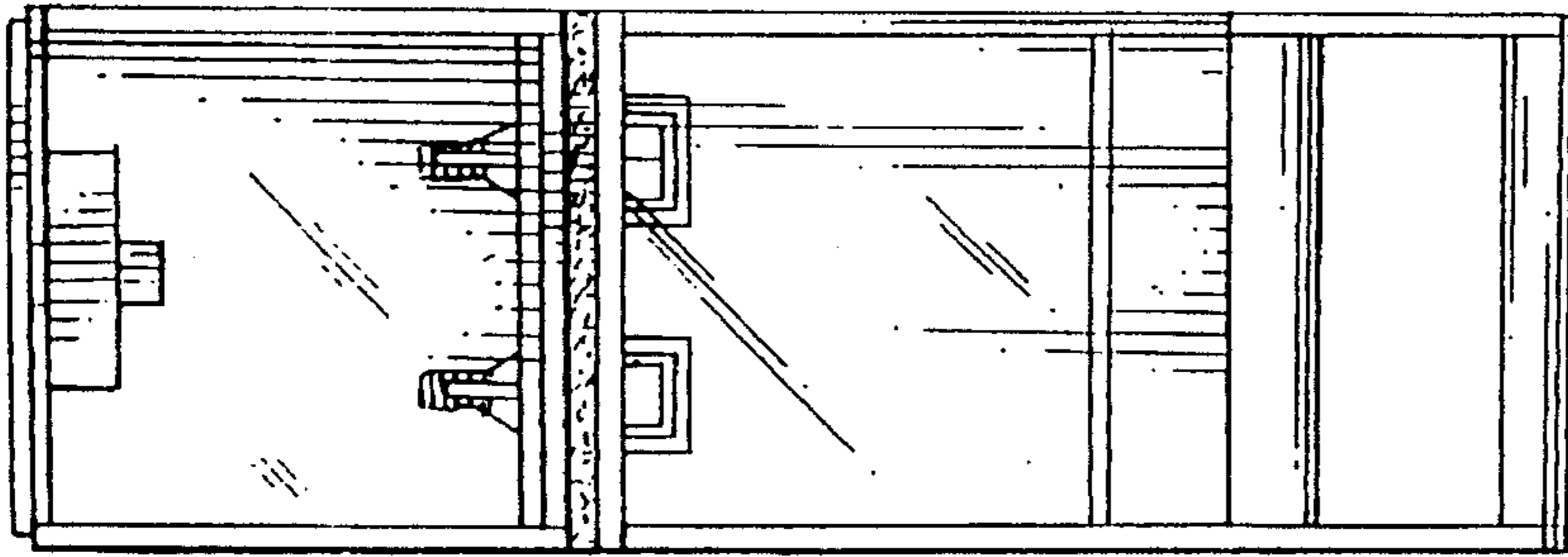


Fig. 5

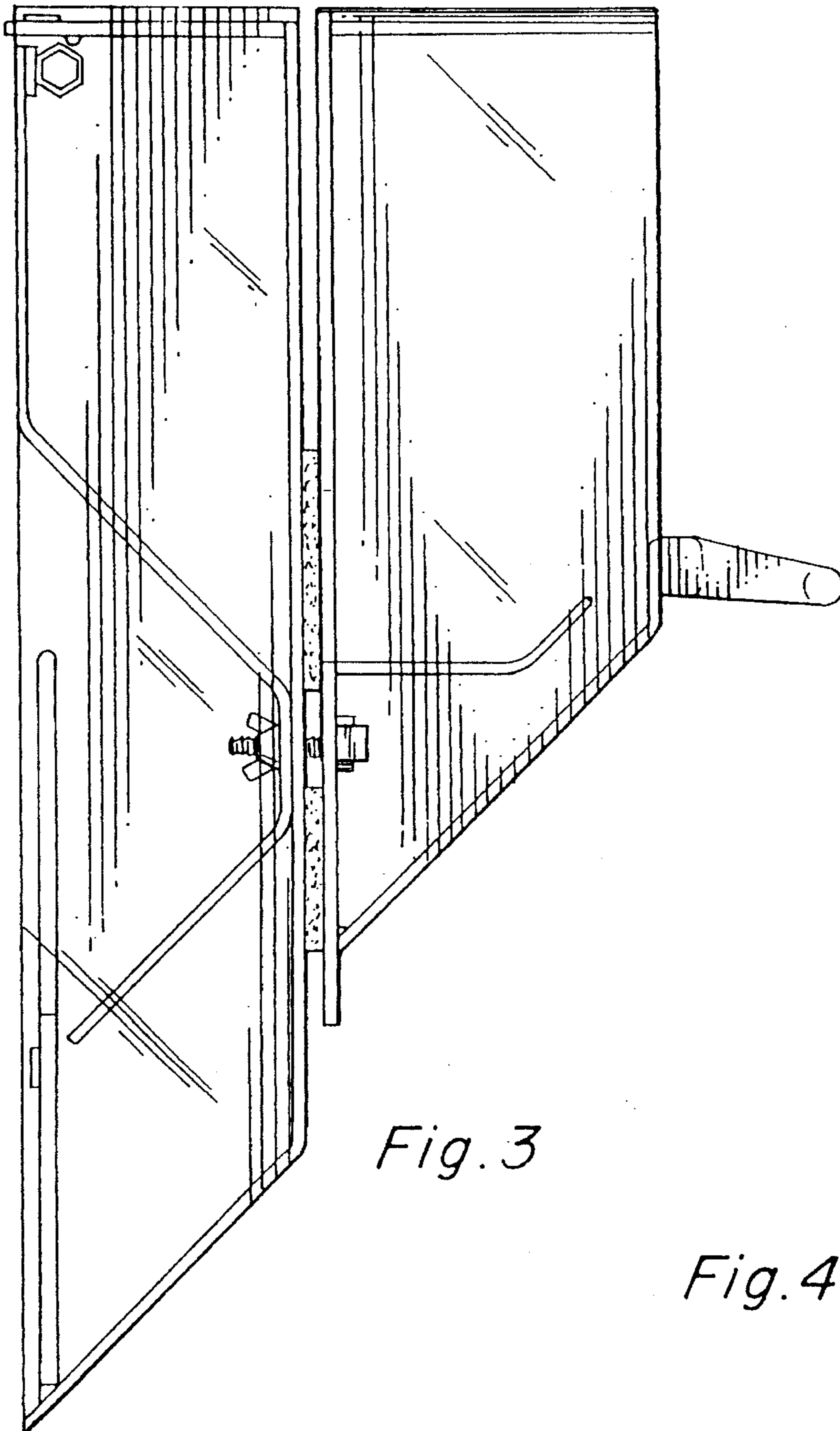


Fig. 3

Fig. 4

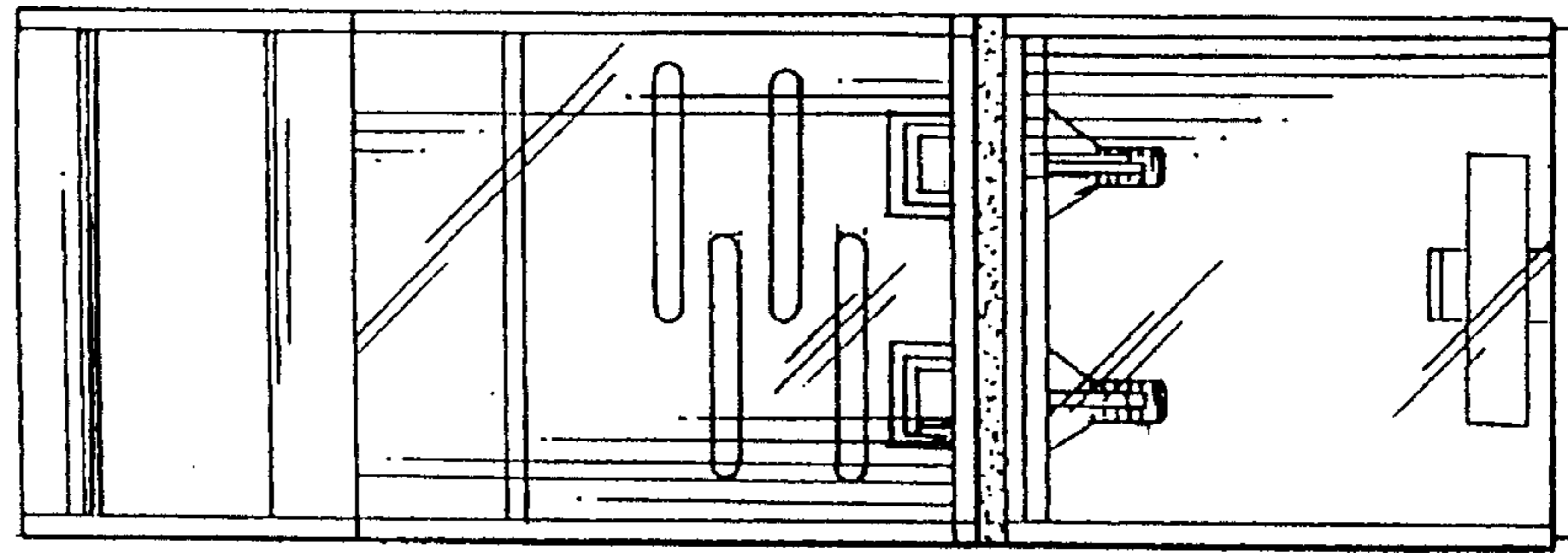


Fig. 8

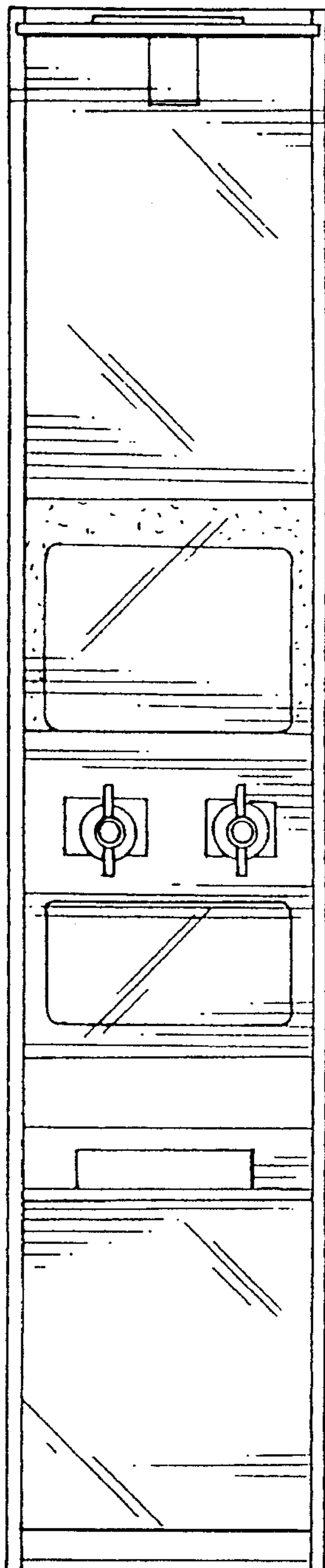


Fig. 6

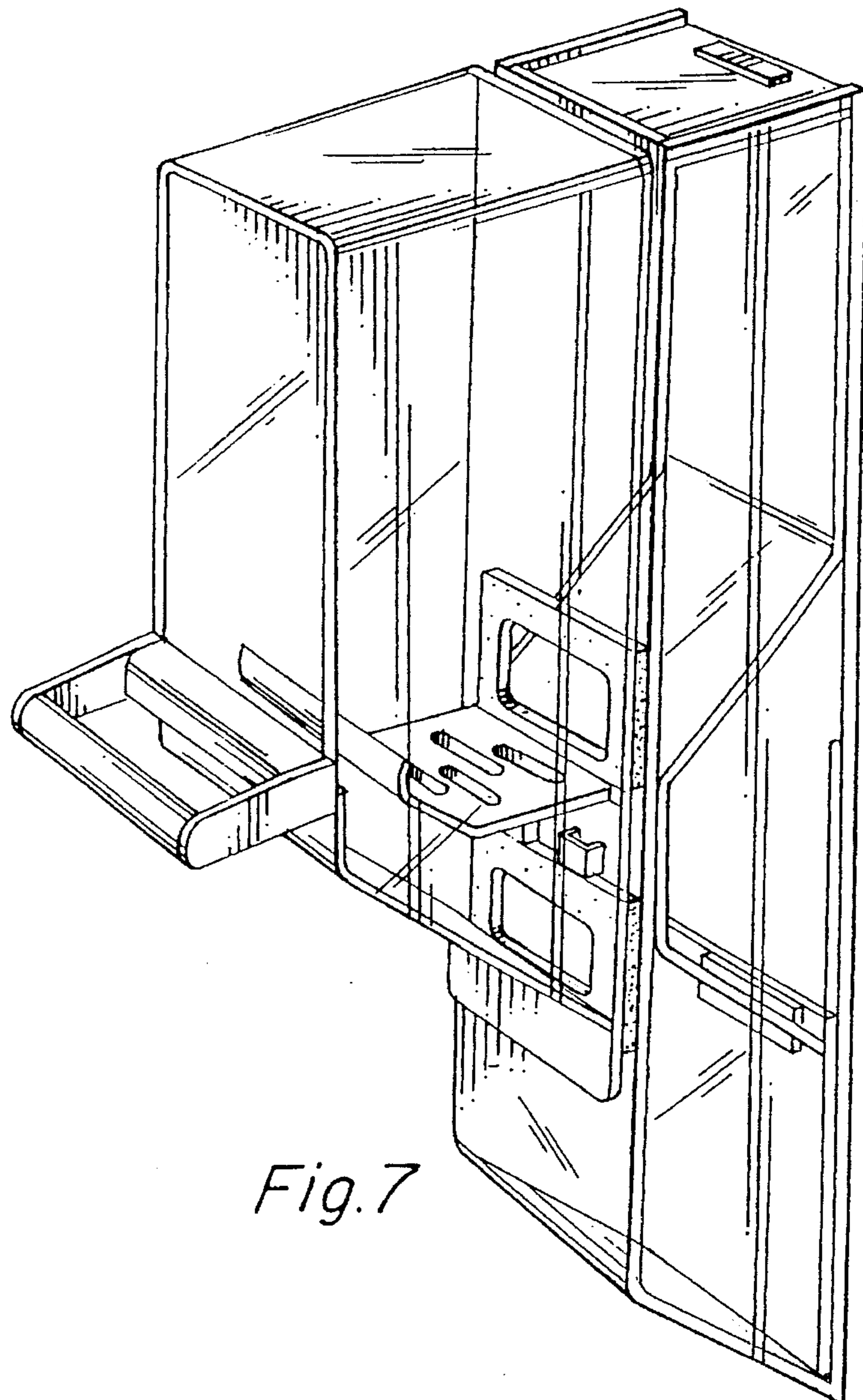


Fig. 7