



US00D373224S

# United States Patent [19]

[11] Patent Number: **Des. 373,224**

Pernicka et al.

[45] Date of Patent: **\*\*Aug. 27, 1996**

[54] **VISOR SHIELD FOR SPORTS HEADGEAR**

5,412,814 5/1995 Pernicka et al. .... 2/424

[75] Inventors: **Martin Pernicka**, St-François; **Paul Isabelle**, St-Augustin de Desmaures, both of Canada

*Primary Examiner*—Ruth McInroy  
*Attorney, Agent, or Firm*—Jean H. Dubuc

[73] Assignee: **Leader Industries Inc.**, Boucherville, Canada

[57] **CLAIM**

The ornamental design for a visor shield for sports headgear, as shown and described.

[\*\*] Term: **14 Years**

**DESCRIPTION**

[21] Appl. No.: **37,893**

FIG. 1 is a top perspective view of a visor shield for sports headgear showing our new design; FIG. 2 is a front elevation thereof; FIG. 3 is a rear elevation thereof; FIG. 4 is a top view thereof; FIG. 5 is a bottom view thereof; FIG. 6 is a side elevation thereof; FIG. 7 is a top perspective view of a second embodiment thereof; FIG. 8 is a front elevation thereof; FIG. 9 is a rear elevation thereof; FIG. 10 is a top view thereof; FIG. 11 is a bottom view thereof; and, FIG. 12 is a side elevation thereof.

[22] Filed: **Apr. 24, 1995**

[52] U.S. Cl. .... **D29/110**

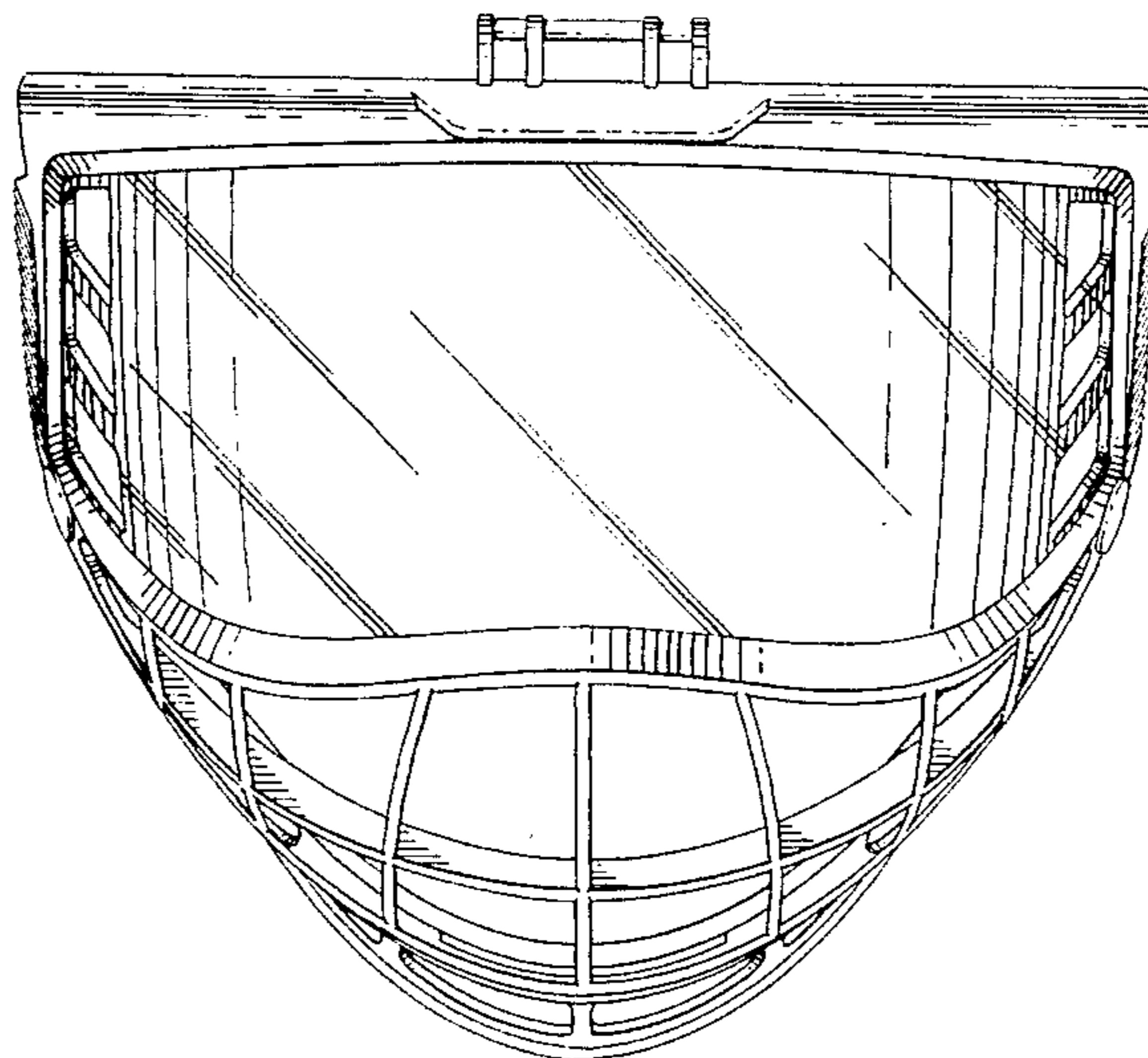
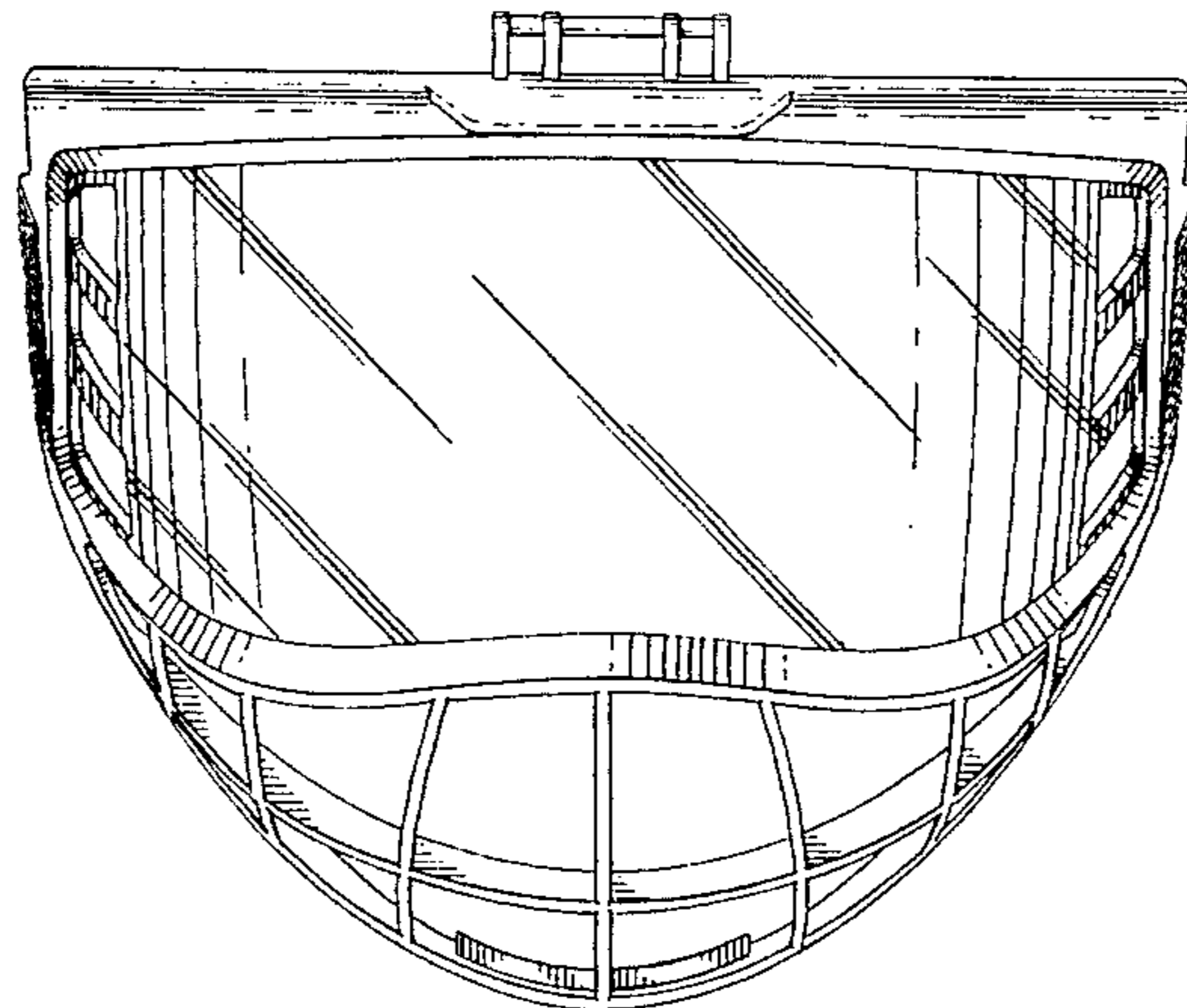
[58] Field of Search ..... D29/102-107, D29/109-111; 2/410, 423-425, 9, 12, 15, 426, 6.3, 411

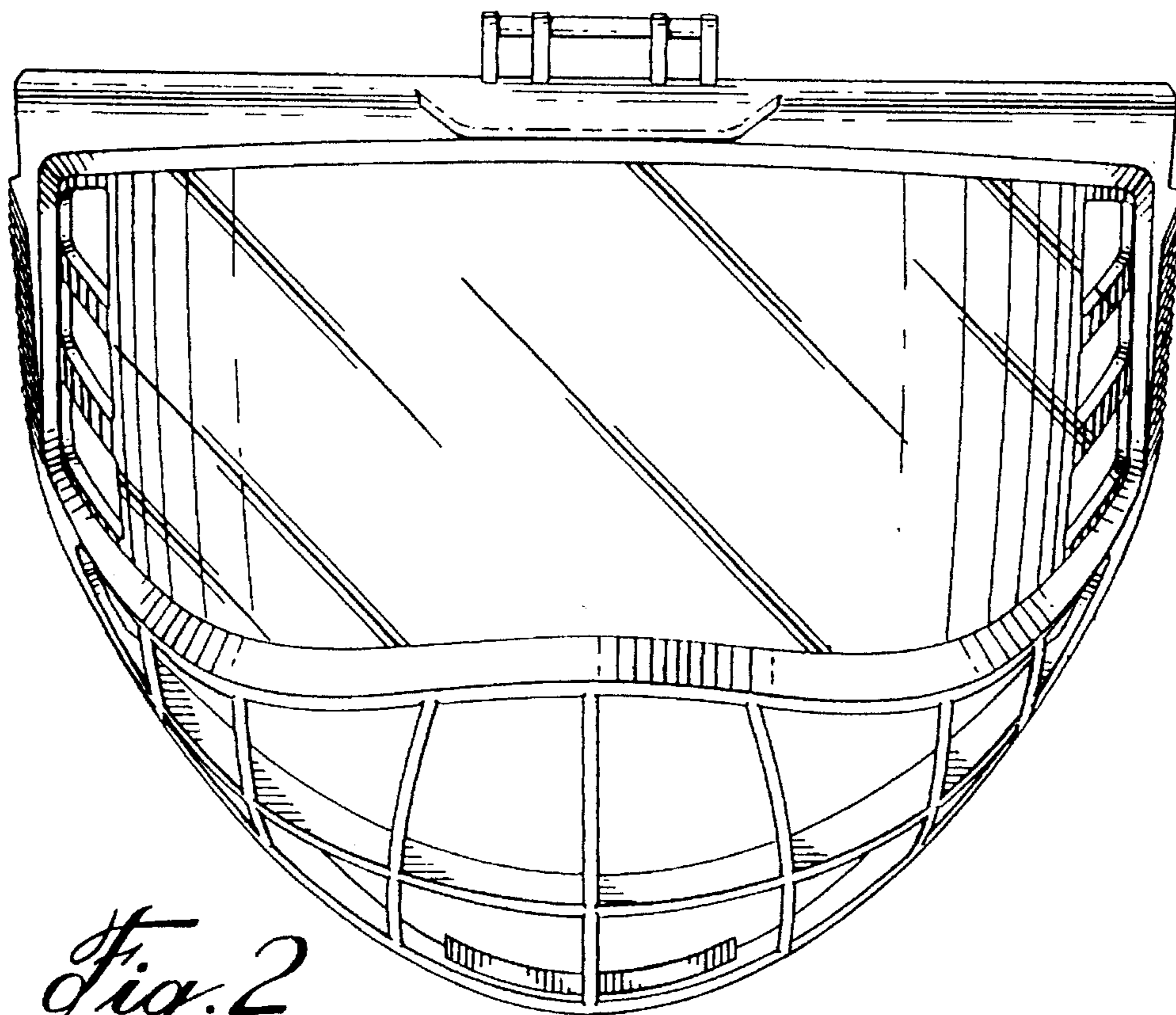
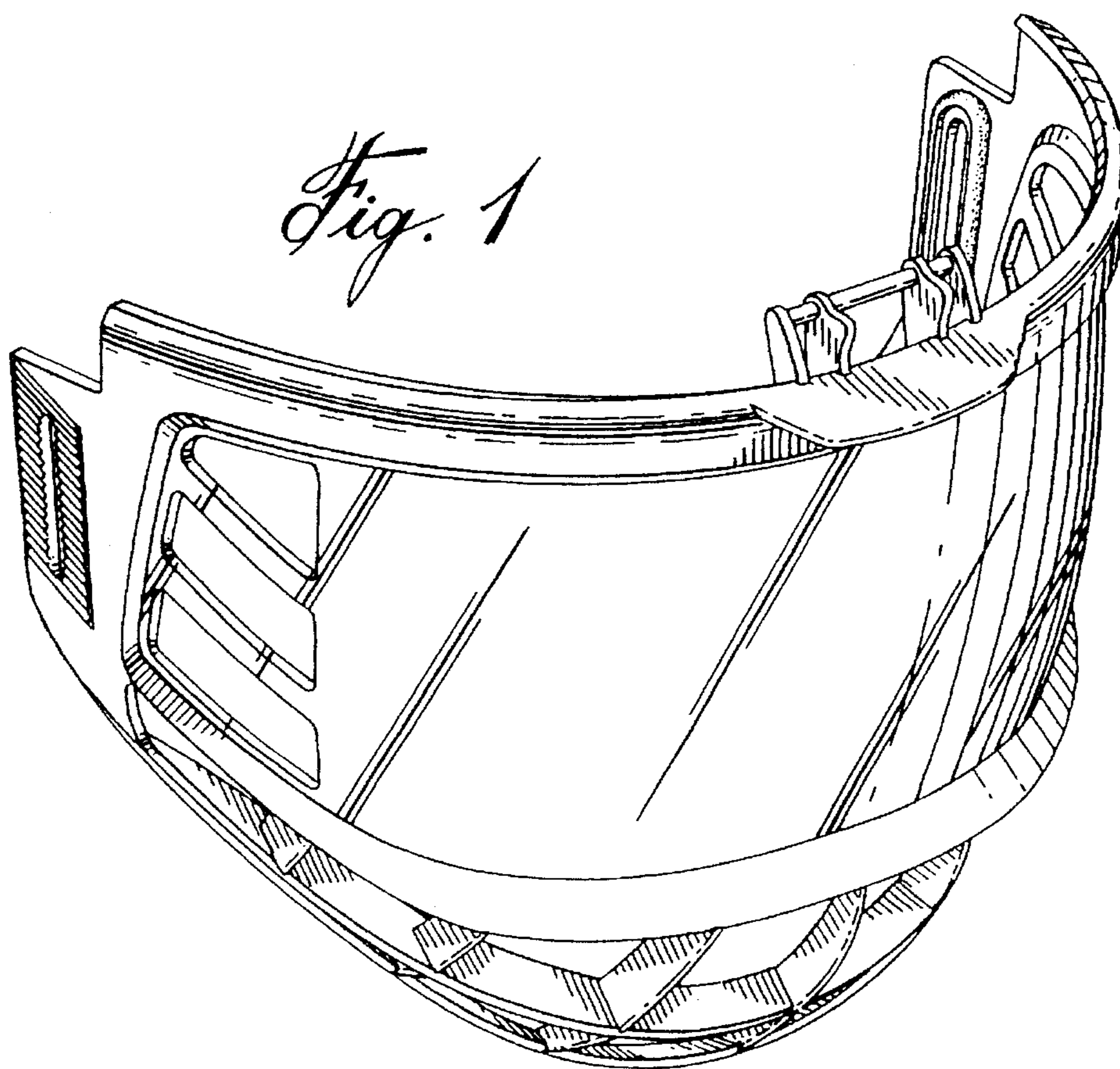
[56] **References Cited**

**U.S. PATENT DOCUMENTS**

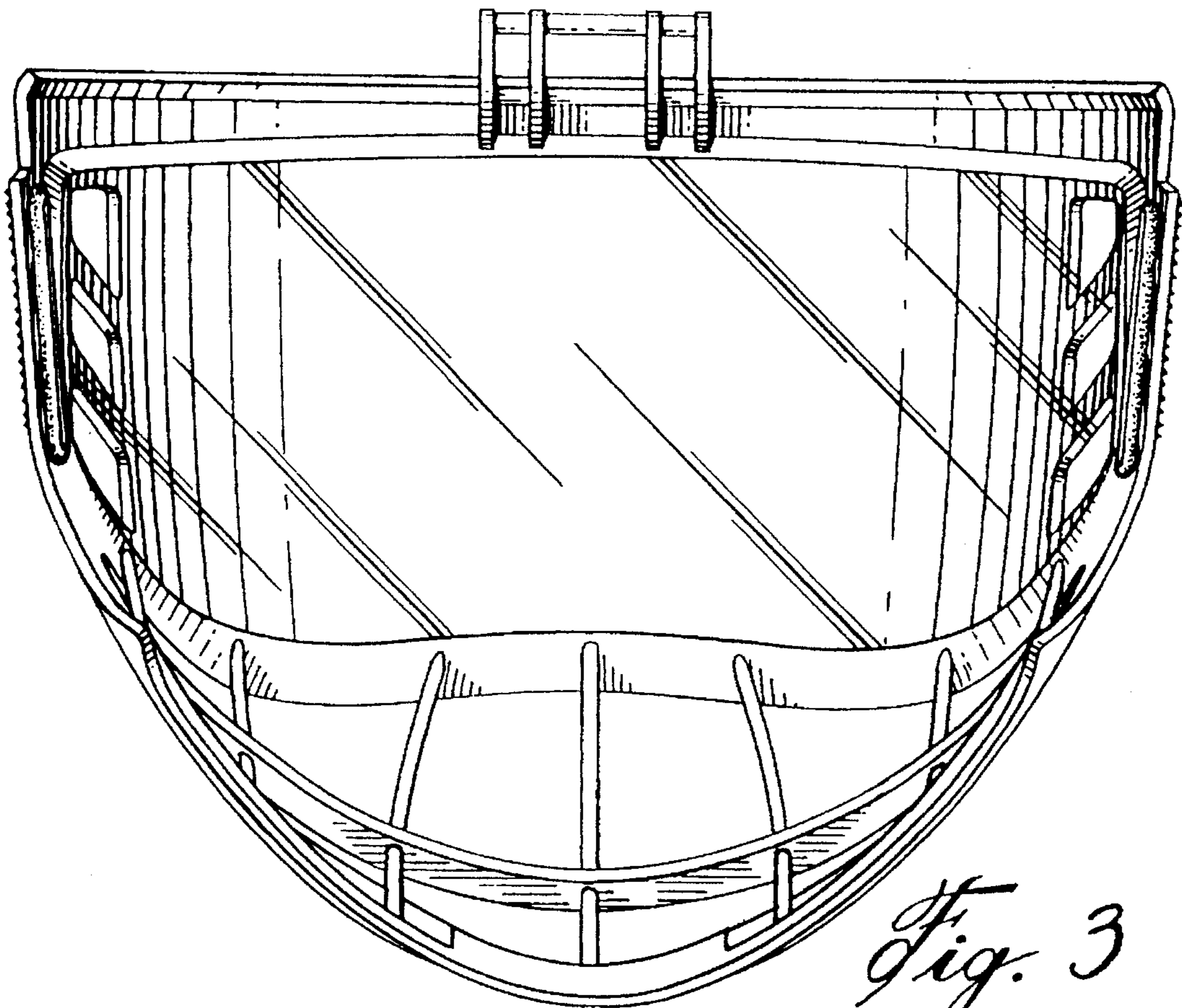
D. 280,460	9/1985	Gronborg et al. ....	D29/111
D. 288,980	3/1987	Dernicka .....	D29/110
D. 349,978	8/1994	Copeland et al. ....	D29/111
D. 351,929	10/1994	Chiasson .....	D29/111
D. 360,488	7/1995	Cardinal .....	D29/111
4,031,564	6/1977	Wood .....	2/9

**1 Claim, 6 Drawing Sheets**

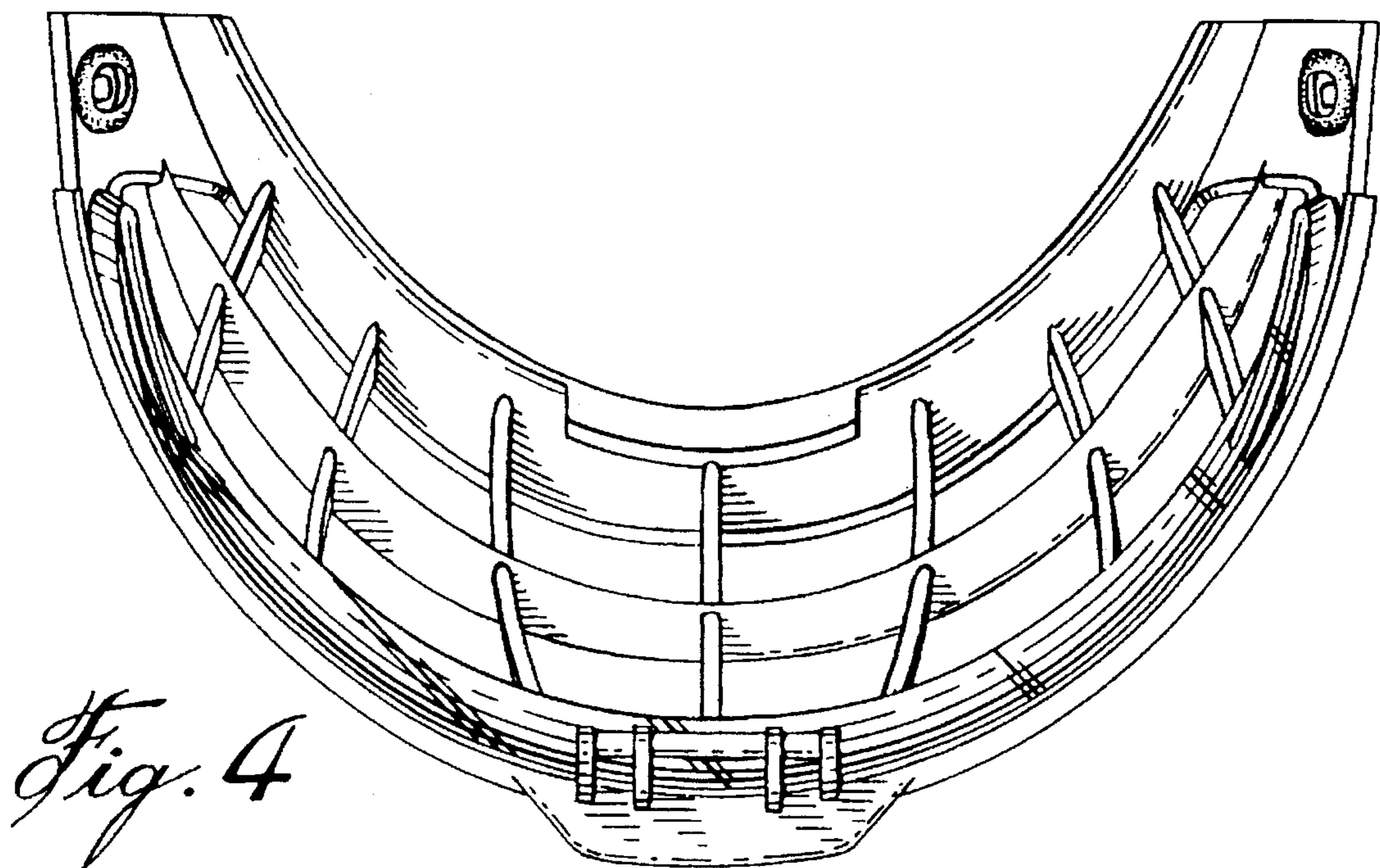




*Fig. 2*

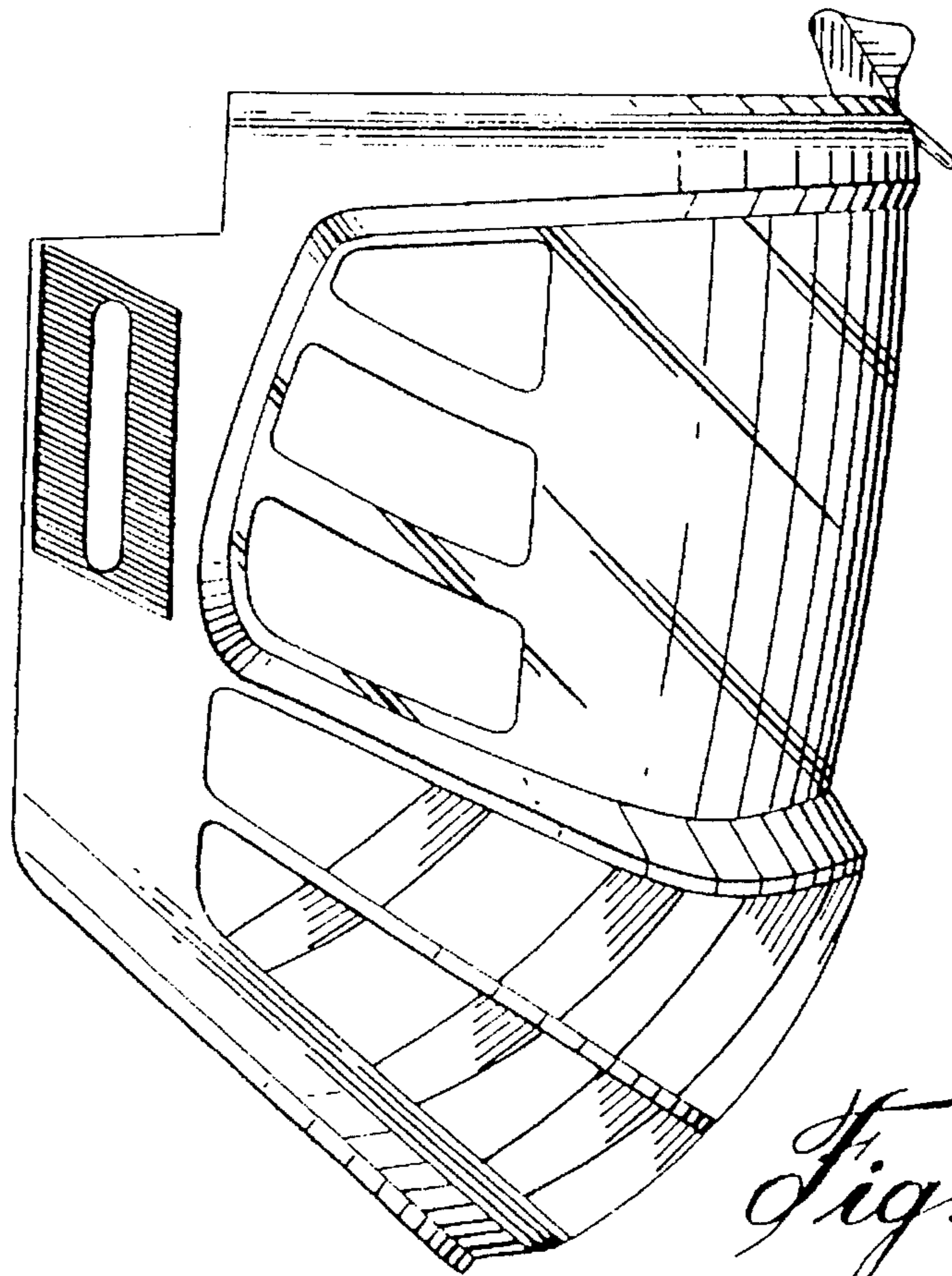
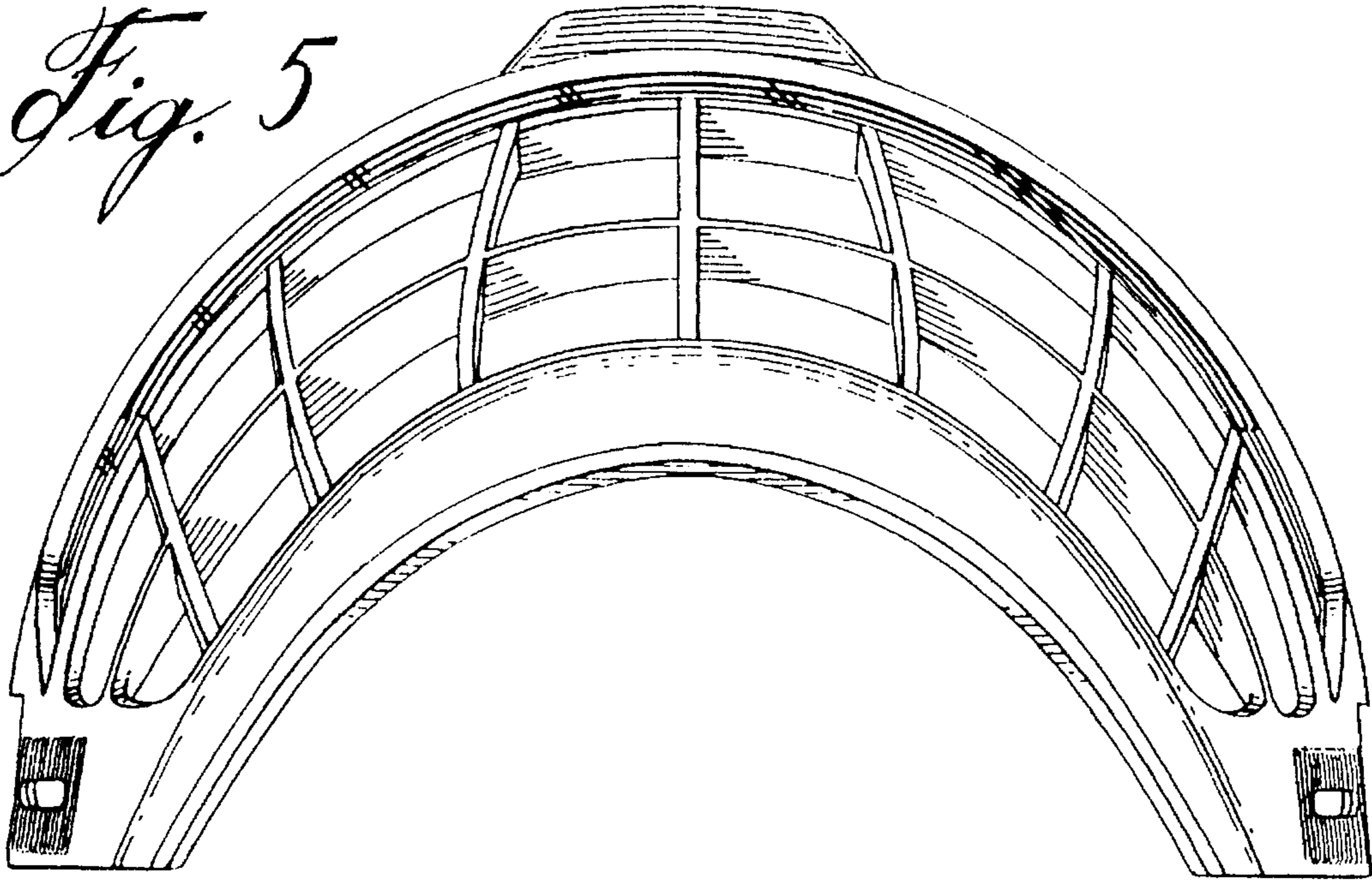


*Fig. 3*



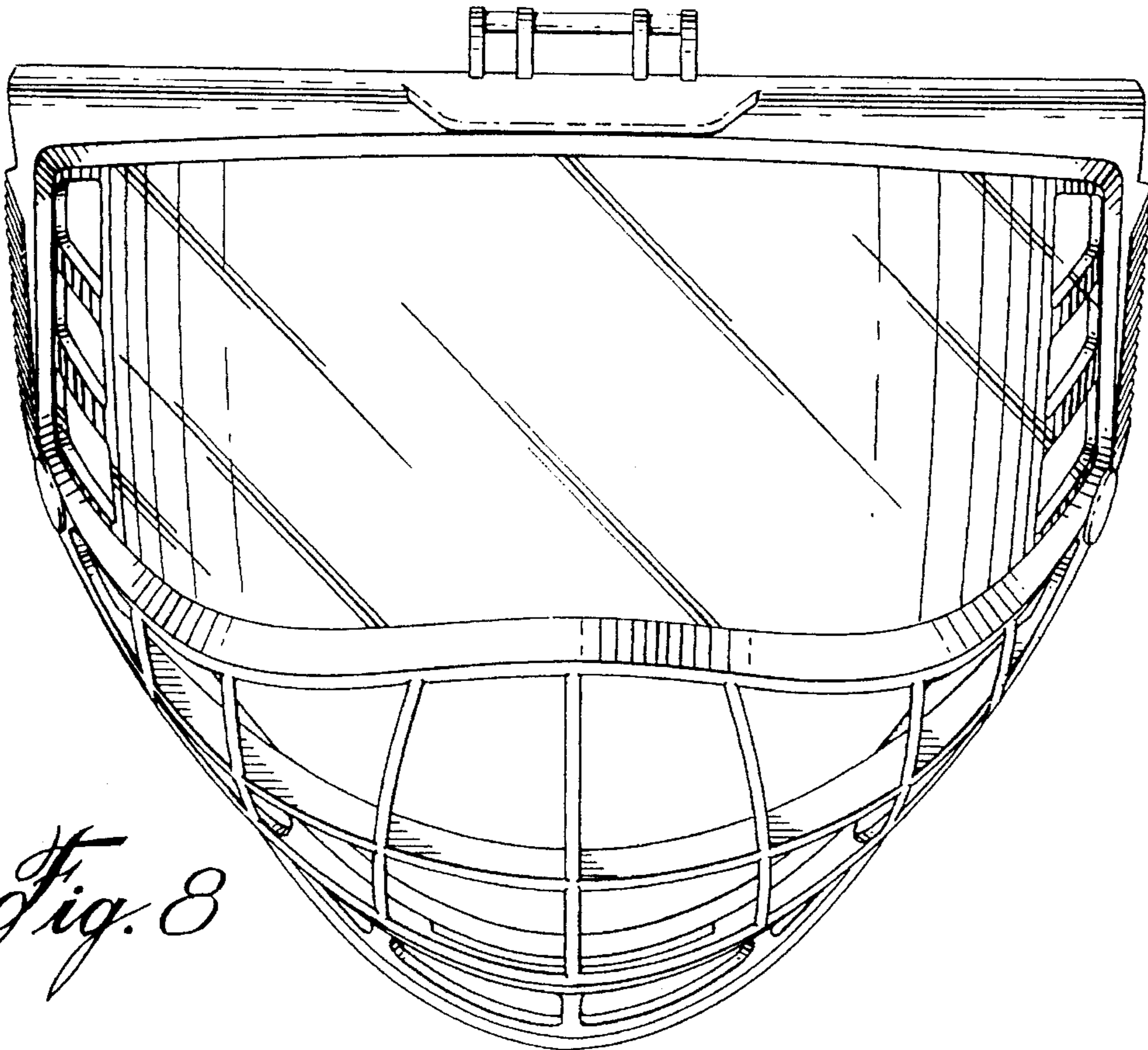
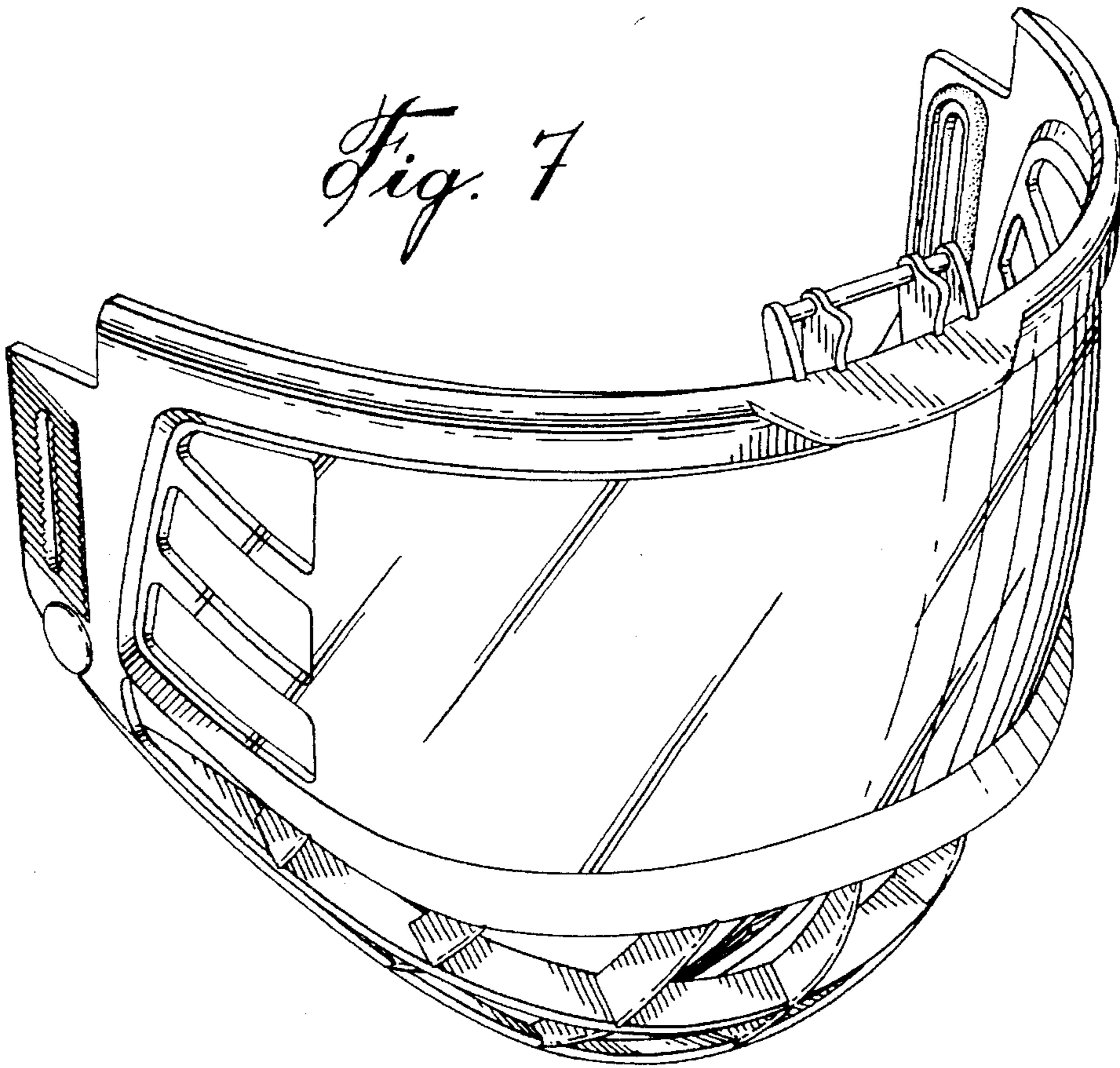
*Fig. 4*

*Fig. 5*

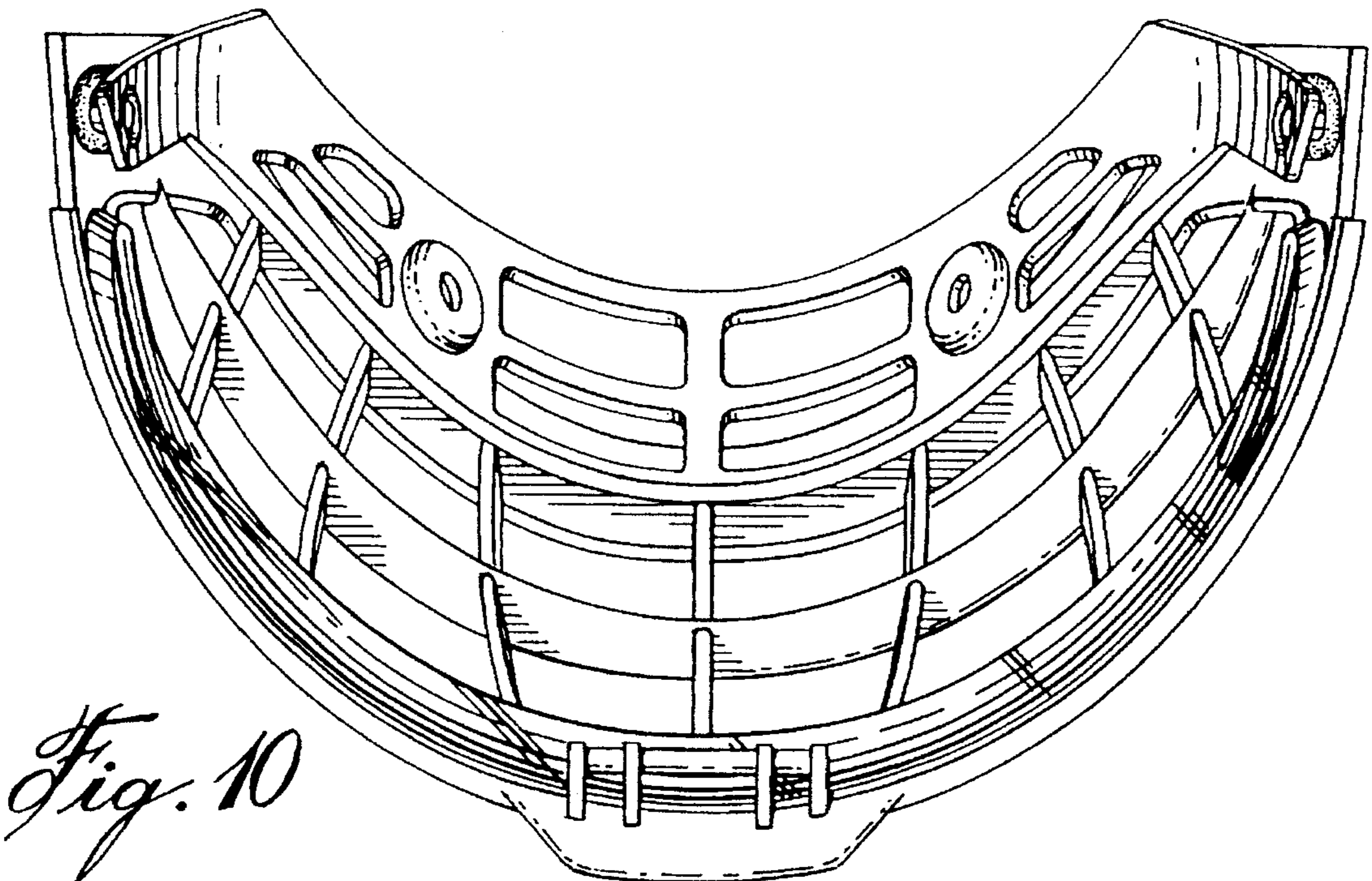
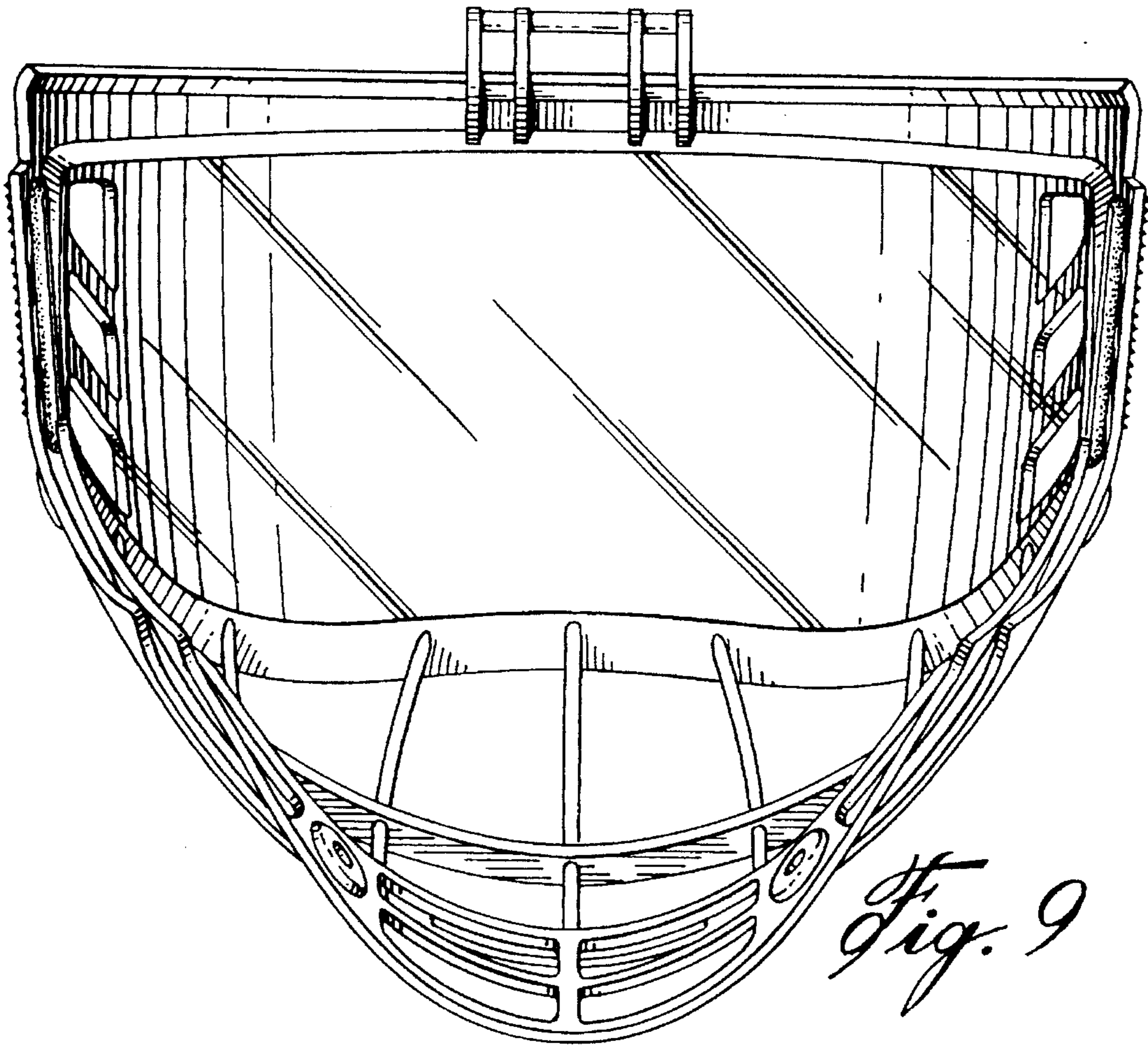


*Fig. 6*

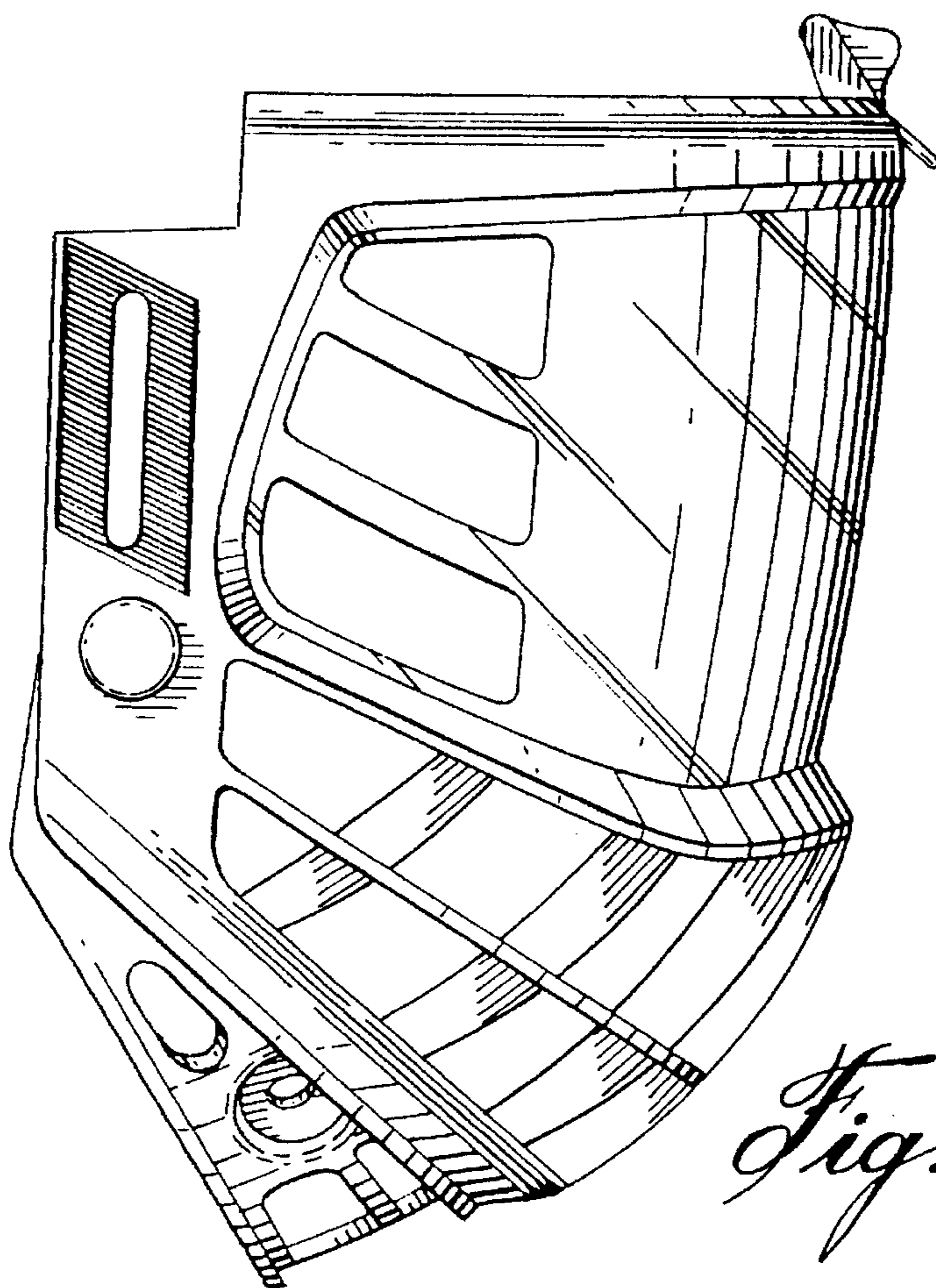
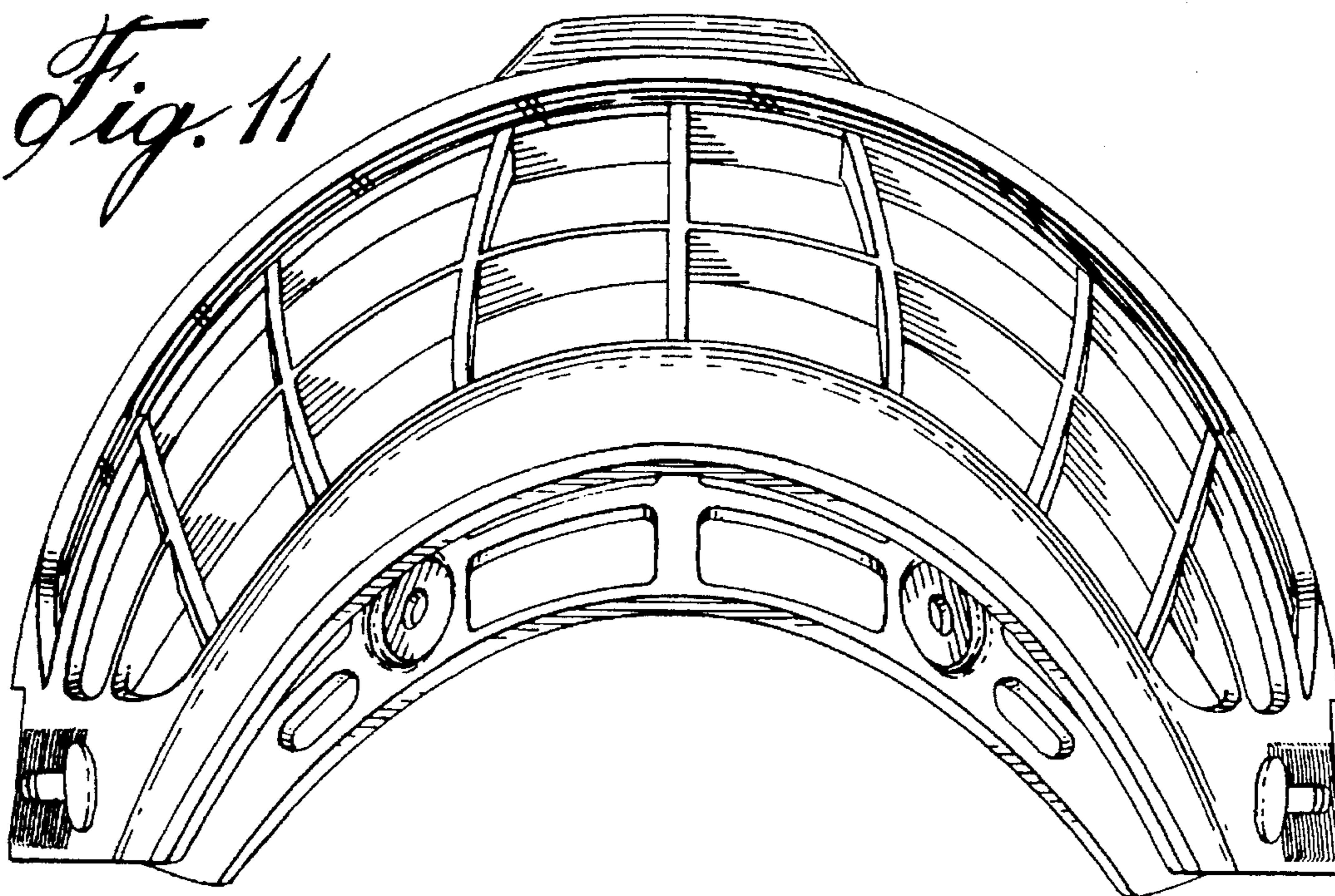
*Fig. 7*



*Fig. 8*



*Fig. 11*



*Fig. 12*